



GAIL INDIA LIMITED

**CONSTRUCTION OF STEEL PIPELINE AND ASSOCIATED FACILITIES
FOR CGD CONNECTIVITIES**

VOLUME II OF II (TECHNICAL) – E



CIVIL / STRUCTURE



E-TENDER REF : 8000017675

(BID DOCUMENT NO - 034/LEPL/GAIL/27-R0)



Lyons Engineering Pvt. Ltd.

	DCI - MASTER DELIVERABLE CONTROL INDEX FOR CONSTRUCTION OF STEEL PIPELINE AND ASSOCIATED FACILITIES FOR CGD TO M/S BPCL SAHARANPUR, CGD TO M/S THINK GAS MACCHHWARA(LUDHIANA), CGD TO M/S BPCL YAMUNANAGAR, & CGD TO M/S IGL FATEHPUR	Doc No.	
		GAIL-ENG-GN-DOC-DL-001	
		Rev. 0	
Sr. No.	Description	Document / Drawing No.	Rev. No.
TECHNICAL VOLUME - II OF II			
E	CIVIL / STRUCTURE		
1	Civil / Structural Design Basis	GAIL-STD-CV-DOC-DB-001	0
TECHNICAL SPECIFICATION FOR CIVIL / STRUCTURE			
2	Technical Specification for Site Clearing, Area Grading, Excavation & Earth Work	GAIL-STD-CV-DOC-TS-001	0
3	Technical Specification for Plain Cement Concrete and Allied Works	GAIL-STD-CV-DOC-TS-002	0
4	Technical Specification for Porta Cabin	GAIL-STD-CV-DOC-TS-003	0
5	Technical Specification for Chainlink Fencing	GAIL-STD-CV-DOC-TS-004	0
6	Technical Specification for Structural Concrete	GAIL-STD-CV-DOC-TS-005	0
7	Technical Specification for Masonry Work	GAIL-STD-CV-DOC-TS-006	0
8	Technical Specification for Plaster & Pointing	GAIL-STD-CV-DOC-TS-007	0
9	Technical Specification for Structural Steel Work	GAIL-STD-CV-DOC-TS-008	0

	DCI - MASTER DELIVERABLE CONTROL INDEX FOR CONSTRUCTION OF STEEL PIPELINE AND ASSOCIATED FACILITIES FOR CGD TO M/S BPCL SAHARANPUR, CGD TO M/S THINK GAS MACCHHAWARA(LUDHIANA), CGD TO M/S BPCL YAMUNANAGAR, & CGD TO M/S IGL FATEHPUR	Doc No.		
		GAIL-ENG-GN-DOC-DL-001		
		Rev. 0		
Sr. No.	Description	Document / Drawing No.	Rev. No.	
10	Technical Specification for Road Work and Pavement	GAIL-STD-CV-DOC-TS-009	0	
11	Technical Specification for Dismantle & Demolishing	GAIL-STD-CV-DOC-TS-010	0	
12	Technical Specification for Barricades	GAIL-STD-CV-DOC-TS-011	0	
13	Technical Specification for Standard Field Quality Plan	GAIL-STD-CV-DOC-TS-012	0	
14	Technical Specification for Topographic and Route Survey	GAIL-STD-CV-DOC-TS-013	0	
15	Technical Specification for Geotechnical Survey	GAIL-STD-CV-DOC-TS-014	0	
16	Technical Specification for Water Supply & Sanitary Works	GAIL-STD-CV-DOC-TS-015	0	
17	Technical Specification for Roof Treatment & Floor Treatment (Anti-Termite)	GAIL-STD-CV-DOC-TS-016	0	
18	Technical Specification for Sewer Drainage System	GAIL-STD-CV-DOC-TS-017	0	
19	Technical Specification for Doors, Windows and Ventilator	GAIL-STD-CV-DOC-TS-018	0	
20	Technical Specification for Floor Finishing	GAIL-STD-CV-DOC-TS-019	0	
21	Technical Specification for Floor Finishing	GAIL-STD-CV-DOC-TS-020	0	
22	Technical Specification for Boundary Wall, Retaining Wall	GAIL-STD-CV-DOC-TS-021	0	
23	Technical Specification for Sand Filling, Moorum Filling, Borrowed Earth Filling & Gravel Filling	GAIL-STD-CV-DOC-TS-022	0	
24	Technical Specification for Pipe Culverts & Box Culverts	GAIL-STD-CV-DOC-TS-023	0	
25	Technical Specification for Earthwork in Site grading	GAIL-STD-CV-DOC-TS-024	0	
26	Technical Specification for Earthwork for Underground piping	GAIL-STD-CV-DOC-TS-025	0	
27	Technical Specification for Soil Investigation for Stations	GAIL-STD-CV-DOC-TS-026	0	
STANDARD / TYPICAL DRAWINGS FOR CIVIL / STRUCTURE				
28	Typical Detail of Chainlink Fencing	GAIL-STD-CV-DWG-TP-001	0	
29	Typical detail of Guard Room	GAIL-STD-CV-DWG-TP-002	0	
30	Typical Handrail On Steel Platform	GAIL-STD-CV-DWG-TP-003	0	
31	Typical Chequered Plate Support	GAIL-STD-CV-DWG-TP-004	0	
32	Typical Layout Plan of Boundary Wall	GAIL-STD-CV-DWG-TP-005	0	
33	Typical Detail of Road Curves and Crossing	GAIL-STD-CV-DWG-TP-006	0	
34	Typical Platform Details	GAIL-STD-CV-DWG-TP-007	0	
35	Typical Concrete Bedding	GAIL-STD-CV-DWG-TP-008	0	
36	Typical Storm Water Drain	GAIL-STD-CV-DWG-TP-009	0	
37	Typical Trench Sand Bedding	GAIL-STD-CV-DWG-TP-010	0	
38	Typical Grating Detail	GAIL-STD-CV-DWG-TP-011	0	
39	Typical Detail of Cross-over	GAIL-STD-CV-DWG-TP-012	0	
40	Typical Insert Plate Details	GAIL-STD-CV-DWG-TP-013	0	
41	Typical G.A. of Valve Pit	GAIL-STD-CV-DWG-TP-014	0	
42	Typical Barricades drawing	GAIL-STD-CV-DWG-TP-015	0	
43	Typical Gate Detail	GAIL-STD-CV-DWG-TP-016	0	
44	Typical Detail of Footpath	GAIL-STD-CV-DWG-TP-017	0	
45	Typical Cross Section of Road	GAIL-STD-CV-DWG-TP-018	0	
46	Typical RCC Pipe Support	GAIL-STD-CV-DWG-TP-019	0	
47	Typical Detail of Soak Pit	GAIL-STD-CV-DWG-TP-020	0	
48	Typical Detail of Septic Tank	GAIL-STD-CV-DWG-TP-021	0	
49	Typical Pipe Culvert for Storm Water Drainage	GAIL-STD-CV-DWG-TP-022	0	
50	RCC Pavement details	GAIL-STD-CV-DWG-TP-023	0	
51	Typical Detail for Manhole	GAIL-STD-CV-DWG-TP-024	0	
52	Typical Architectural Drawing for Control Building	GAIL-STD-CV-DWG-TP-025	0	



GAIL INDIA LIMITED

**DESIGN BASIS
FOR
CIVIL & STRUCTURAL**

DOCUMENT NO. : GAIL-STD-CV-DOC-DB-001

Rev	Date	Purpose	Prepared By	Checked By	Approved By
0	01.12.20	Issued for BID	SR	TR	SK



TABLE OF CONTENTS

1. INTRODUCTION
2. SCOPE
3. DESIGN STANDARDS
4. CODES & STANDARDS
5. ENGINEERING DESIGN DATA
6. LOADS AND FORCES
7. ANALYSIS AND DESIGN METHODOLOGY
8. LOAD COMBINATION
9. CONSTRUCTION MATERIALS
10. SITE PREPARATION, BOUNDARY WALL AND CHAIN LINK FENCING
11. ROADS, DRAINS AND CULVERTS
12. PROCESS AREA
13. PORTA CABIN
14. VALVE PIT
15. SIGN BOARDS

	DESIGN BASIS – CIVIL & STRUCTURAL	Document No.	Rev
		GAIL-STD-CV-DOC-DB-001	0
		PAGE2 of 14 <small>724 of 1517</small>	

1 INTRODUCTION

GAIL (India) Limited, the largest state-owned natural gas processing and distribution company and the youngest Maharatna company. GAIL is the nodal agency for transportation and supply of Natural Gas to various potential customers. The receipt of gas from the sources and its transportation and distribution is intended to be by means of a high-pressure trunk transmission gas grid from the gas receiving point to various customer stations.

- a) In order to supply gas to BPCL-Saharanpur, GAIL is laying 4” NB Piping to connect BPCL Saharanpur inside plot / Receiving Terminal(Metering skid is coming inside the GAIL terminal) (as per indicative plot plan / P&ID and Schematic attached elsewhere). Work shall include all the interconnecting piping, civil, electrical, instrumentation works at Customer End and Hook-up.
- b) In order to supply gas to BPCL Yamunanagar, BPCL is laying 8” NB Pipeline to connect BPCL Yamunanagar inside plot / Receiving Terminal (as per indicative plot plan / P&ID and Schematic attached elsewhere). Work shall include the balance work for interconnecting piping, civil, electrical, instrumentation works at Customer End and Hook-up.
- c) In order to supply gas to IGL-Fatehpur and Hamirpur, GAIL is laying 4” NB Piping to connect IGL-Fatehpur and Hamirpur inside plot / Receiving Terminal(Metering skid is coming inside the GAIL terminal) (as per indicative plot plan / P&ID and Schematic attached elsewhere). Work shall include all the interconnecting piping, civil, electrical, instrumentation works at Customer End and Hook-up.
- d) In order to supply gas to Think Gas Macchiwara (Ludhiana), GAIL is laying 4” NB Pipeline to connect Think Gas Macchiwara (Ludhiana) inside plot / Receiving Terminal (as per indicative plot plan / P&ID and Schematic attached elsewhere). Work shall include all the interconnecting piping, civil, electrical, instrumentation works at Customer End and Hook-up.

2 SCOPE

The scope of work to be performed under this contract shall include complete Civil and Structural works as per plans, equipment layout, drawings & technical specifications.

Following Civil & Structural work has been envisaged but not limited to

DISPATCH / RECEIVING STATION AT LOCATION

- Topographic and Soil Investigation Survey
- Plot Development including internal drains, RCC Pavements & Approach Road
- Porta Cabin for Guard Room with provision for Toilet Block and associated facilities such as Soak Pit, Septic Tank, Bore well with submersible pump for water arrangement. (if applicable).
- Process Area Development
- Metering Skid foundations
- Valve Pit Chamber
- Pipe and Valve Support Foundation
- Valve Operating Platforms and Crossovers
- Boundary Wall with Gate
- Construction of Culverts
- Rain Water Harvesting System

	<p>DESIGN BASIS – CIVIL & STRUCTURAL</p>	<p>Document No.</p>	<p>Rev</p>
		<p>GAIL-STD-CV-DOC-DB-001</p>	<p>0</p>
		<p>PAGE3 of 14 1/25 of 1517</p>	

DESIGN BASIS FOR CIVIL & STRUCTURAL

All items in the Schedule of Rates shall be inclusive of all material, labour, constructional infrastructures like scaffolding/ staging, finishing, cleaning, cutting chases/holes etc. in brick work/ RCC work and making good the same and rectification of any damaged work shall be applicable for all heights and locations.

The procurement and supply of all materials, consumables and non-consumables, and hardware etc. including necessary tools and tackles required for satisfactory completion of the job shall be the responsibility of Contractor within the quoted rates.

Details Scope refer Scope of Work for Civil / Structural.

3 DESIGN STANDARDS

Designs shall be based on the latest Indian Standard (IS) Specifications or Codes of Practice. The design standards adopted shall follow the best modern engineering practice in the field based on any other international standard or specialist literature. In case of any variation or contradiction between the provision of the IS Standards or Code and the specifications given with the submitted tender document, the provision as directed by Owner shall be followed.

All analysis work related with civil or structural design shall be carried out as per relevant Codes and Standards. Design of concrete structures shall be as per IS 456. Structural steel shall be designed based on elastic theory in conformation to IS 800. All connections shall be welded connection and it shall confirm to IS 808. Minimum thickness of weld shall be 6 mm for shop weld and 8 mm for field weld.

4 CODES & STANDARDS

The following Indian codes and standards shall be used for design of Civil and Structural works. In all cases, latest revisions with amendments, if any, shall be followed. Apart from the specific codes mentioned herein, all other relevant and related codes concerning the specific job under consideration and/or referred to in these codes and technical specifications shall be followed wherever applicable. (All codes shall be latest as on the date of issuing of tender/bid document).

LOADS & FORCES	
IS:875(part I to V)	Code of Practice for Design loads (other than earthquake) for Buildings & Structures.
IS:1893	Criteria for Earthquake resistant design of structure.
FOUNDATION	
IS:1080	Code of Practice for Design and Construction of Shallow Foundations in Soils (other than raft, ring and shell).
IS:1904	Code of Practice for Design and Construction of Foundations in Soils- General Requirements.
IS:2911 (All Parts)	Code of Practice for Design and Construction of Pile Foundation.

	DESIGN BASIS – CIVIL & STRUCTURAL	Document No.	Rev
		GAIL-STD-CV-DOC-DB-001	0
		PAGE4 of 14 1/26 of 1517	

DESIGN BASIS FOR CIVIL & STRUCTURAL

IS:2974	Code of Practice for Design & Construction of Machine Foundation
IS:6403	Code of Practice for determination of Bearing Capacity of Shallow Foundations.
IS:8009 (Part-I)	Code of Practice for Settlement of Foundations.
CONCRETE STRUCTURES	
IS:456	Code of Practice for Plain and Reinforced Concrete.
IS:432	Specifications for Mild Steel and Medium Tensile Steel bars and Hard Drawn Steel Wires for Concrete Reinforcement (Grade-I)
IS:1566	Hard drawn Steel Wire Fabric for Concrete Reinforcement.
IS:1786	High Strength Deformed Steel bars and wires for Concrete Reinforcement.
IS:3370	Code of Practice for Concrete Structures for Storage of Liquids
IS:4326	Earthquake Resistance Design and Construction of Buildings.
IS:13920	Code of practice for ductile detailing of RCC structures subjected to Seismic forces.
MASONRY	
IS:1905	Code of Practice for Structural use of Un-Reinforced Masonry.
STEEL STRUCTURES	
IS:800	Code of Practice for General Construction in Steel.
IS:808	Dimensions for Hot rolled steel beams, Channel and angle sections
IS:806	Code of Practice for use of Steel Tubes in general Building Construction.
IS: 811	Cold formed light gauge structural steel sections
IS:2062	Steel for general Structural Purposes.
IS:3502	Steel Chequered Plates.
IS:1363	Hexagonal head bolts, Screws and Nuts of Product Grade C
IS:1367	Technical Supply conditions for Threaded Steel Fasteners.
IS:2062/5624	Specification for Foundation Bolts.
IS:2016	Plain Washers.
IS:277	Galvanized Steel Sheet (Plain and Corrugated)
IS:1728	Specification for Sheet Metal Rain Water Pipes, normal size gutters, fittings and accessories.

DESIGN BASIS FOR CIVIL & STRUCTURAL

IS:278-1978	Specification for Galvanized Steel Barbed wire for fencing.
IS:2721-2003	Galvanized Steel Chain Link fence (Fabrication Specification)

5 ENGINEERING DESIGN DATA

Design will be based on the latest soil investigation report. Life of Structure shall be taken as 50 years for wind load calculation.

PLOT DEVELOPMENT

On finalization of the plot area, the location and its surroundings shall be surveyed and Geo-technical investigations shall be carried out for establishing contour plan, coordinates & design bearing capacity of soil for each location by the executing agency as required. Suitable approach roads and other services shall be ensured for the design work.

Finished Ground Level (FGL) shall match with existing finish ground level of customer premises. Top level of internal roads shall be 150 mm above FGL. Floor finish level of process area shall be 300 mm above internal road top level. Water from the proposed plot shall be drained to drain at a slope of 1 in 500 where applicable. The drain shall have a slope 1 in 750.

DESIGN OF FOUNDATIONS

Safe bearing pressure shall be based on settlement criteria for dead plus live load conditions. Maximum settlement for foundation for all types of equipments, pipe racks, footings including raft, etc. shall be 25mm.

In case of wind or seismic forces, settlement is not the criteria and safe bearing capacity based on shear criteria shall be considered. While designing foundations at various levels, the bearing capacity at that particular level and also the effect of uplift/sub soil water table shall also be considered.

6 LOADS AND FORCES

Design loads shall comply with the requirements of IS: 875 and IS: 1893 as minimum, unless more stringent requirements are specified herein. All buildings, structures shall be in general designed for the worst possible combination of the following loads.

1. Dead load (DL)
2. Live load (LL)
3. Wind load (WL)
4. Seismic load (SL)
5. Equipment Load (E)
6. Impact / Vibrating Load
7. Other Loads

DEAD LOAD (DL)

The dead load comprises of weights of all structural and architectural components and external loads pertaining to all permanent construction, including walls, floor, roofs, partitions, stairways, and equipment excluding their contents. Self-weight of material may be calculated on the basis of unit weights given in IS: 875 (Part I).

LIVE LOAD (LL)

Live loads shall comprise of all loads other than dead loads. This shall be in general as per

	DESIGN BASIS – CIVIL & STRUCTURAL	Document No.	Rev
		GAIL-STD-CV-DOC-DB-001	0
		PAGE 7 of 14 <small>129 of 1517</small>	

IS: 875 (Part II).

WIND LOAD (WL)

Wind load shall be in accordance with IS: 875 (Part –III)

SEISMIC LOAD (SL)

Seismic forces shall be as per IS: 1893. The detailing of reinforcement shall be as per IS: 13920.

EQUIPMENT LOAD (E)

Equipment loads shall be considered as follows:

Equipment Load for Empty Condition E (E)

It is the weight of equipment excluding fire proofing, piping all loose internals, platforms supported from the equipment.

Equipment Load for Test Condition E (T)

It is the weight of equipment including fire proofing, piping, all loose internals, insulation, platforms supported from the equipment and weight of water.

Equipment Load for Operating Condition E (O)

It is the weight of equipment including fire proofing, piping, all loose internals, insulation, platforms supported from the equipment and liquid/gas contents.

Equipment Load (B)

It is the weight of equipment to be considered for maintenance purpose.

IMPACT LOAD

The live loads shall be assumed to include adequate allowance for ordinary impact conditions. However, for structures carrying loads which induce impact or vibration, calculations shall provide for increase in the imposed load due to impact or vibration as per requirement of IS:875 (Part-2)

OTHER LOADS

Surcharge Load shall be considered as 1 t/m²

Earth pressure

- Unit wt. of soil shall be taken (γ) = As per latest soil report
- Angle of repose (φ) = As per latest soil report
- K_a = As per latest soil report

7 ANALYSIS AND DESIGN METHODOLOGY

	<p>DESIGN BASIS – CIVIL & STRUCTURAL</p>	Document No.	Rev
		GAIL-STD-CV-DOC-DB-001	0
		<p>PAGE 8 of 14</p> <p style="text-align: right; font-size: small;">30 of 1517</p>	

DESIGN BASIS FOR CIVIL & STRUCTURAL

Limit state method as per IS: 456 shall be followed in the design for concrete structures except for liquid retaining structures. The design of liquid retaining structures shall be carried out using working stress method as per IS: 3370.

Steel structures shall be designed as per IS: 800.

Detailing of reinforcement shall be done according to IS: 4326, IS: 13920 and SP: 34.

Permissible stresses increase in materials shall be as per respective IS code and shall be considered under Wind/Seismic loading.

Appropriate load factor for Limit State Design shall be considered as per code provisions.

Architectural design of Porta Cabin shall fully meet the functional requirement, shall be adequately sized and provided with sufficient ventilation and natural lighting.

8 LOAD COMBINATION

The load combinations shall be generally as per IS: 875 (Part 5).

In general, all structures shall be designed for worst effect.

DL \pm Wind Load with no increase in allowable stress.

Underground structure shall be designed for the following load cases.

- i) DL \pm LL \pm Equipment load
- ii) DL \pm LL \pm Equipment load \pm Seismic load.
- iii) DL \pm Seismic load.
- iv) Combination I + Earth pressure + Surcharge pressure
- v) Combination II + Earth pressure + Surcharge pressure

9 CONSTRUCTION MATERIALS

CONCRETE

Cement concrete used shall comply with provisions of IS: 456-2000 and as specified in the technical specification. All RCC works shall be in design mix concrete of grade M 25 with 20mm and down size aggregate & PCC Works shall be in nominal mix as specified on drawings.

CEMENT

Approved quality of Ordinary Portland Cement of Grade 43 / Grade 53 shall be used for reinforced concrete works; and Portland Pozzalano Cement may be used for non RCC works such as brick masonry and plaster etc. For all underground structure, Sulphate Resistant Cement (SRC) shall be used in accordance with Indian Standards based on detail soil investigation report.

AGGREGATE

Aggregates shall be from approved sources and shall comply with IS 383. Fine and coarse aggregates shall be considered separate ingredients. Both shall meet the grading requirements of IS 383.

	DESIGN BASIS – CIVIL & STRUCTURAL	Document No.	Rev
		GAIL-STD-CV-DOC-DB-001	0
		PAGE 9 of 14 131 of 1517	

DESIGN BASIS FOR CIVIL & STRUCTURAL

Aggregates shall be clean, hard, durable, chemically inert and impermeable. They shall be free from adherent coatings, laminated particles or admixtures of materials likely to be deleterious to the concrete. Dune and beach sand shall not be used for fine aggregate.

The grading for Sand shall conform to IS: 383-1970 and shall be within the limit of Grading Zone-III. The maximum size of particle shall be 4.75mm and shall be graded down.

WATER

Water used for concrete shall be clean and free from oil, acid, alkali, organic matter or other harmful matter in such quantities as would affect the concrete in the plastic or hardened state. Potable water shall generally be considered satisfactory for mixing of concrete. Tests on water samples shall be carried out in accordance with IS: 3025 and they shall fulfill the guidelines and requirements of IS: 456.

BRICKS

Bricks shall be locally available bricks minimum of class designation 7.5 conforming to IS: 1077.

REINFORCEMENT STEEL

Reinforcement bars for RCC will be High Yield Strength Deformed/TMT steel bars for Grade Fe 415 / Fe 500 D conforming to IS: 1786-2008 and MS bars of Grade I conforming to IS: 432 (Part-I). The maximum spacing of bars shall be as per IS: 456.

STRUCTURAL STEEL

Structural steel is to be used for general structural purposes shall be of grade Fe 415 MPa conforming to IS: 2062. The minimum yield strength of steel shall be 410 MPa. The minimum yield strength for steel structure shall be as follows:

Thickness <20 mm	250 MPa
Thickness 20-40 mm	240 MPa
Thickness >40 mm	230 MPa

Equipment supports, Access / Operating platforms and crossover shall be fabricated from the structural steel as per requirement. All structural supports, operating platforms & cross over shall be protected with suitable paintings as specified.

Minimum thickness for various structural components shall be as follows:

Stiffeners: 8mm
Base Plates: 10mm
Chequered Plate: 6mm
Grating: 3mm

ANCHOR BOLTS

Materials for anchor bolts shall be of mild steel conforming to IS: 226 and IS:432 grade-I. Materials such as MS bars, washers, nuts, pipe sleeves and plates etc. shall conform to IS : 1363 & IS : 1364 of 1992.

	DESIGN BASIS – CIVIL & STRUCTURAL	Document No.	Rev
		GAIL-STD-CV-DOC-DB-001	0
		PAGE 10 of 14 732 of 1517	

GROUT

Approved quality Non Shrink (Premix Type), free flow grout shall be provided for all anchor bolts, sleeves, pockets, & spaces under column bases, shoe plate etc. with a crushing strength of 28 days minimum 40 MPa.

WELDING

Welding shall confirm to IS 814 -1963. Structural Steel shapes shall conform to IS: 808 (Hot Rolled Steel Beam, Column, Channel & angle Section).

10 SITE PREPARATION, BOUNDARY WALL AND CHAINLINK FENCING

Site preparation shall be conform to the requirement of the relevant section of this design basis and specification. Salient features of the plot to be developed. The layout and level of plot shall be prepared and the benchmarks shall be set. Suitable provision of drainage system shall be made outside the plot to divert the natural storm water drainage into the nearest existing drainage system.

RCC boundary wall shall be provided (wherever specified) as per the layout drawings. The height of RCC wall is also specified in the layout drawings.

The boundary wall shall be of RCC beam & column structure with filler walls consisting of 230 mm thick brick masonry in Cement Mortar (1:6). The height of brick masonry wall shall be 2.5m above FGL, Y-shaped barbed wire fencing 600mm High arrangement with 9 strings of 12 SWG double strand barbed wire with four point barbs set 75 mm apart shall be provided above the brick masonry work with 610 diameter barbed wire concertina coils spaced @ 400 c/c over the Y-fence.

Below Finished Grade level, the foundation shall be designed to withstand the earth Pressure and Surcharge of 1 t/m² and prior approval shall be taken before the execution of the job.

If the difference in the Plot Level and the Surrounding area is greater than or equal to 1.0 m, the R.C.C Retaining Wall shall be provided upto FGL to cater the Earth Pressure along with a Surcharge of 1 t/m².

Inside and outside plaster in coarse sand for boundary wall shall be 15 mm thick with Cement Mortar (1:4).

Minimum two 2 coat of cement base paint of approved color shall be provided on outside face and inside face to get acceptable finish.

Design of boundary wall shall be checked for full submerged soil pressure under choked condition of weep holes.

Chain link fencing of 2.4 m height made from 2.5 mm diameter GI wire with mesh size of 50x50 mm shall be provided.

	DESIGN BASIS – CIVIL & STRUCTURAL	Document No.	Rev
		GAIL-STD-CV-DOC-DB-001	0
		PAGE 11 of 14 <small>733 of 1517</small>	

11 ROADS, DRAINS AND CULVERTS

ROADS

Roads shall be of RCC and shall be designed for IRC loading.

Road width shall be 3 meter width within the plot area. The minimum radius of curvature of the turnings shall be 6.0m unless otherwise mentioned in the relevant drawings. Roads shall be constructed as per the specified drawings.

Approach road including culverts shall be of RCC and shall also be connected with nearest existing metallic road/approach road outside the customer plot for all stations. Carriageway for approach road shall be 4.5m wide or as per existing road.

Roads must be paved with 150 mm thick M25 concrete with nominal reinforcement of 8mm diameter @ 200mm c/c (both ways at top & bottom) laid over 75 mm P.C.C. (1:3:6). The PCC shall be laid over 200 mm thick compacted boulder layer with sand filling.

STORM WATER DRAIN

The design of storm water drainage shall be based on maximum hourly precipitation for storm deviation of 20 minutes. The drainage system shall be so designed so that the velocity of flow shall be within 1 m/sec to 2.5 m/sec.

Coefficient for design shall be as follows:

1	Open areas	0.5
2	Road and paved area parking area	0.7
3	Roof surface	1.0

Storm water drain shall be constructed in brick masonry along the periphery of plot to carry storm water from plot area to nearby drain. The drain shall have slope of 1 in 1000 (minimum).

CULVERTS

RCC Hume pipe NP-3 class has been considered for crossing drains under the roads as per site conditions. Piping culverts under roads shall be of RCC box-shaped.

12 PROCESS AREA

Process area consists of valves, equipment's, metering skid etc. Entire process area shall be paved with 150 mm thick M25 concrete pavement with nominal reinforcement of 8mm diameter @ 200 mm C/c (both ways at bottom) laid over 75 mm P.C.C. (1:3:6). The PCC shall be laid over 200 mm sand filled over well compacted sub base. The paving shall be laid in panels and designed joints shall be provided with approved quality separators & joint sealant. Boulders solingto be provided in sub-base based on geotechnical investigation recommendation, if required.

EQUIPMENT FOUNDATION

	DESIGN BASIS – CIVIL & STRUCTURAL	Document No.	Rev
		GAIL-STD-CV-DOC-DB-001	0
		PAGE 12 of 14 <small>734 of 1517</small>	

DESIGN BASIS FOR CIVIL & STRUCTURAL

Equipment foundation supporting lightweight equipment and coming within the process area may be made an integral part of the paved area. However, heavy equipments shall have isolated equipment foundation even if coming within process area.

Loose fills, expansive soil etc if found beneath the equipment foundation shall be removed and back filled either with PCC (1:3:6).

PIPE SUPPORT FOUNDATIONS

Pipe supports shall be provided as per mechanical layout drawings for piping. The pipe support may lie within the process area or at any other location. The pipe support foundations shall be designed to take care of the loads and it's fixing details as per standard drawings. Pipe support in process area shall be integral part of pavement. Isolated pipe supports shall however be provided outside the process area.

13 PORTA CABIN (If applicable)

The Porta Cabin shall be insulated type steel structure, shall be well ventilated and shall be brought to site in knock down condition and assembled at site or factory assembled condition. All components of the prefabricated cabin shall be reclaimable and reusable. The shell structure shall comprise of side walls, end walls and self draining roof.

RCC M25 foundation shall be constructed up to a height of 450 mm from finished ground level for installation of Porta Cabin.

The floor shall be made up of ISMC (channels) or tubes of required sizes and shall be used to form the floor grid of minimum size 600mm x 600mm. The floor shall be minimum 200mm above bottom level and shall be covered with marine Ply board (IS: 2202/ 1991) of required thickness or cement fiber board of required thickness; finished neatly with floor vinyl (of required thickness), in roll/ tiles by means of neoprene base adhesive as per manufacturer's recommendations.

The structure of the prefabricated Cabin (i.e. all walls, ceiling, floor etc.) shall be tubular steel/ structural steel members. The fully erected and anchored prefabricated Cabin after installation/ placing in position shall be structurally strong enough to withstand wind force of minimum speed 47 m/sec. and earthquake for seismic zone 3, importance factor 1.5.

Walls shall be made up of 'sandwich' insulated panels manufactured using outer side minimum 0.63mm thick profiled pre-coated galvanized steel sheet (Rib Profile) and inner side minimum 0.63mm thick profiled pre-coated galvanized steel sheet (Plain) conforming to IS: 277 with insulation of PUF/ mineral wool/ glass wool/rock wool, of approved make, in between steel sheets. It shall be waterproof, termite proof, heat and fire resistant and comfortable in extreme hot and cold climate. The walls shall be provided with internal paneling of laminated plywood of required thickness. Necessary provisions shall be provided in the walls (at desired locations) for installing split type air-conditioners and exhaust fans.

Fabricated steel steps of detachable type having necessary treads shall be provided at all doors for getting inside.

Windows shall be of aluminum extruded sections with 5.5mm toughened glass and grill. The windows shall be horizontal sliding. Stainless steel fly-proof mesh in suitable frame work shall also be provided in the windows. All doors shall be of aluminum extruded sections with partly glazed portion (from lock rail level to top rail; with 5.5mm toughened glass) and partly with 10mm thick cement bound particle board panel (from bottom rail to

	DESIGN BASIS – CIVIL & STRUCTURAL	Document No.	Rev
		GAIL-STD-CV-DOC-DB-001	0
		PAGE 13 of 14 735 of 1517	

DESIGN BASIS FOR CIVIL & STRUCTURAL

lock rail level). The doors shall be complete with necessary fittings and fixtures like mortice lock, handles, tower bolt, floor mounted double action floor spring hinges etc. The peripheral edges of the door shall be provided with rubber seal to prevent ingress of water and dust. The door panels shall be outward opening type. The doors shall be provided with manually operating type locking arrangements from both internal and external side.

All the internal walls shall be finished with Oil bound distemper of approved make and shade. The surface preparation of all fabricated steel components shall be done by giving it a coat of approved primer and finished with enamel of approved make and shade.

Roof shall be made up of 'sandwich' insulated panels manufactured using outer side minimum 0.63mm thick profiled pre-coated galvanized steel sheet (Rib Profile) and inner side minimum 0.63mm thick profiled pre-coated galvanized steel sheet (Plain) conforming to IS: 277 with insulation of PUF/ mineral wool/ glass wool)/rock wool, of approved make, in between steel sheets. The roof shall be waterproof, termite proof, heat and fire resistant and comfortable in extreme hot and cold climate. The ceiling shall be provided with internal paneling of laminated plywood of required thickness. Roof shall be supported on suitable trusses and purlins. Roof shall be extended by minimum 600mm on all sides to provide rain/ sun protection to doors and windows.

14 VALVE PIT

Valve Pit shall be constructed in RCC of grade M25. High-density rubber pad shall be wrapped around the pipe in contact with RCC. The valve pit shall be filled with river sand with precast concrete on top of pit with hook provision for lifting.

15 SIGN BOARDS

Signboards shall be provided at all sites as per direction of Owner.

	DESIGN BASIS – CIVIL & STRUCTURAL	Document No.	Rev
		GAIL-STD-CV-DOC-DB-001	0
		PAGE 14 of 14 736 of 1517	



GAIL INDIA LIMITED

**TECHNICAL SPECIFICATION
FOR
SITE CLEARING, AREA GRADING
EXCAVATION & EARTHWORK**


GAIL-STD-CV-DOC-TS-001

0	04.02.19	ISSUED FOR BID	SS	UN	SKK
Rev	Date	Purpose	Prepared By	Checked By	Approved By



CONTENTS

1.0	INTRODUCTION.....	3
2.0	SETTING OUT.....	3
3.0	SITE CLEARANCE AND DEMOLITION.....	3
4.0	CLASSIFICATION OF SOIL.....	3
5.0	METHOD OF EXCAVATION.....	4
6.0	EXCAVATION OF SOILS OTHER THAN HARD ROCK.....	4
7.0	EXCAVATION IN HARD ROCK.....	5
8.0	CUTTING AND FILLING FOR SITE LEVELING.....	6
9.0	EXCAVATIONS FOR FOUNDATIONS.....	6
10.0	EXCESS EXCAVATION.....	6
11.0	DISPOSAL.....	7
12.0	BACKFILLING.....	7
13.0	EARTH FILLING.....	7

SPECIFICATIONS FOR SITE CLEARING, AREA GRADING, EXCAVATION & EARTHWORK	Doc No.	Rev	
	GAIL-STD-CV-DOC-TS-001	0	
	Page 2 of 7		

1.0 INTRODUCTION

This specification deals with site clearing, earthwork and excavation, leveling, cutting and grading, area filling and backfilling for area designated in the drawings.

2.0 SETTING OUT

Before commencement of earthwork, block levels of existing ground shall be taken by the Contractor jointly with the Engineer. Excavation shall not be commenced until the initial ground levels have been recorded and accepted. Reference lines, bench marks and base lines shall be set out by the Contractor for control of earthwork operation.

Setting out shall be done with pegs, blocks, bamboo poles, marking boundaries or centre lines, as the case may be, and the same shall be maintained for reference and future checking.

Engineer shall be provided with necessary men, material and instruments for checking and approval. However, such checking and approval by the Engineer shall in no way absolve the Contractor of his responsibilities for carrying out the work to the true lines, levels and positions as per drawing and subsequent corrections, if any.

3.0 SITE CLEARANCE AND DEMOLITION

The site shall be cleared of all trees, stumps, roots, brush wood, bushes and other objectionable materials. Useful and saleable material, if any shall be the property of the owner and shall be stacked properly as directed by the Engineer.


The areas to be covered with embankments shall be stripped of top soil to required depths to expose acceptable founding strata. Top soil unsuitable for use in embankment construction and other fills shall be disposed off as directed. All combustible materials shall be stacked and burnt in locations sufficiently remote to eliminate all danger of fire hazards. All old concrete, brick works and drains which interfere with construction works shall be dismantled with the approval of the Engineer taking all necessary precautions prescribed in safety specification. Top soil which is suitable for use in construction work shall be stockpiled for later use. Other objectionable materials such as trash, debris, stones, brick, broken concrete, scrap metal etc., shall be disposed off as directed by the Engineer.

4.0 CLASSIFICATION OF SOIL

The Engineer will decide the class of any particular soil. Classification of soil shall be as under and the decision of the Engineer shall be binding on the Contractor:

ORDINARY SOIL

Soils which yield to ordinary application of pick and shovel, phawra rake or other ordinary digging implements (including earth moving equipment such as bulldozer, shovels without

SPECIFICATIONS FOR SITE CLEARING, AREA GRADING, EXCAVATION & EARTHWORK	Doc No.	Rev	
	GAIL-STD-CV-DOC-TS-001	0	
	Page 3 of 7		

resorting to blasting) without offering much resistance, shall be classified as ordinary soil. This includes organic soil, turf, sand, gravel, loam clay, mud, peat, black cotton soil, soft shale and loose moorum etc.

HARD SOIL

This comprises of all soils that cannot reasonably be excavated by the above mentioned digging implements, but can be excavated with close application of pick axe or scarifiers or jumpers to loosen. This includes compact moorum, stiff clay, hard shale, cobble stone etc.,

SOFT /DECOMPOSED ROCK

This comprises of rock or boulders which may be quarried or split with crow bars, pavement breakers etc., This include lime stone, sand stone, weathered rocks and hard conglomerates etc .and existing structures embedded in earth and tarred macadam roads, pavements, met in the excavation.

HARD ROCK

This comprises of rocks which require blasting for excavation. Where blasting is prohibited, excavation has to be carried out by chiseling, wedging or any other agreed methods.

5.0 METHOD OF EXCAVATION


The Contractor may carry out excavations, filling and compaction by any method considered most suitable and befitting the site conditions subject to any stipulations contained in the contract and the specifications. All excavations shall be required to be kept completely free from water, from whatever source it may come during the construction. No foundation work shall be taken up until the surfaces are properly drained.

6.0 EXCAVATION OF SOILS OTHER THAN HARD ROCK

Excavation shall be carried out in the most expeditious and efficient manner to the lines and levels as indicated in drawings or as directed by Engineer. Prior approval of the Engineer shall be taken for the method to be adopted for excavation including dimensions, side slopes, dewatering, shoring etc. Approval shall not make the Engineer responsible for any consequent damage or loss caused.

All precautions shall be taken to preserve the material below and beyond line of excavation in soundest condition. All damages done beyond limits of excavation shall be made good by the Contractor at his own cost in a manner approved by the Engineer.

All excavated materials shall be removed to spoil heaps, dumping yards or transported for filling as may be necessary. When soil heaps are formed for future use, heaps shall be protected from washing away due to rain or surface run off. The sides of excavation shall be maintained in stable condition by adequate stepping and batter. To prevent entry of surface water and accumulation of subsoil water in excavated areas, suitable drainage arrangements as may be needed and directed by Engineer shall be provided and maintained. Pumped out

SPECIFICATIONS FOR SITE CLEARING, AREA GRADING, EXCAVATION & EARTHWORK	Doc No.	Rev	
	GAIL-STD-CV-DOC-TS-001	0	
	Page 4 of 7		

water shall be drained off properly avoiding damage to other existing works. If any pipelines, cables or service lines are likely to be exposed, excavation around these services shall be carried out manually and all such services shall be adequately supported and protected at no extra cost.

Excavation shall be carried out in any material encountered including road surfaces, pavements, buried parts of old foundations, pits or other structures. Excavated materials shall be placed beyond 1.5 meters of the edge of the excavation pit/trench or half the depth of the pit/trench whichever is more or further away as directed by the Engineer. Sumps made for dewatering must be kept clear of the foundations.

In firm soil the sides of the trenches shall be kept vertical up to a depth of 2.0m from the bottom and for a greater depth, trench shall be widened by allowing steps of 50cm on either side after every 2.0m depth from the bottom, so as to give a vertical side slope of 1/4: 1. Where the soil is soft, loose or slushy, the width of the steps shall be suitably increased or sides suitably sloped or suitable shoring and strutting provided as directed by the Engineer. For trenches deeper than 2.0m, the Contractor shall obtain detailed instruction from the Engineer in writing regarding the stepping, sloping of sides or shoring and strutting to be done. For these bye-works, no extra cost will be paid to the Contractor.


7.0 EXCAVATION IN HARD ROCK

Where hard rock is met and blasting is considered necessary for its excavation, the Contractor shall intimate the Engineer in writing. Excavation in hard rock shall be done either by blasting or chiseling or by such other agreed methods as may be required. Levels of hard rock surface shall be taken and got approved by Engineer before start of excavation. Blasting shall be permitted only when proper precautions are taken for protection of persons, works and property. The Contractor shall obtain the necessary license for procuring, storing and using explosives.

Blasting operations shall be carried out by a licensed Blaster. The quality and quantity of explosives, size and spacing of holes depth of holes etc. shall be such that they will neither open seams nor damage/shatter the rock beyond the specified lines of excavation. A tolerance of 150 mm will however be allowed beyond the excavation lines. As excavation approaches final stages, the depth of holes and the amount of explosives used shall be reduced progressively to avoid over breakage or damage to founding strata. Any fissures, cracks and voids below prescribed depth of excavation shall be corrected by removing loose pieces, shattered or affected rock and replaced by lean concrete of M-7.5 grade in the case of foundations. Where excavated surface is to receive structural concrete, the surface shall be cleaned of dust and other objectionable materials.

In cases where blasting, though otherwise required is prohibited because of any reason, the excavation shall be carried out by chiseling, wedging or such other agreed methods. All materials excavated from blasting, chiseling or any such methods shall be stacked for measurement as directed by Engineer.

8.0 CUTTING AND FILLING FOR SITE LEVELING

SPECIFICATIONS FOR SITE CLEARING, AREA GRADING, EXCAVATION & EARTHWORK	Doc No.	Rev	
	GAIL-STD-CV-DOC-TS-001	0	
	Page 5 of 7		

Excavation and filling operations for site leveling shall be so planned and executed, that transportation and re-handling are minimized. The sides of excavation and fills shall be maintained in stable condition by adequate batters, stepping and dewatering. Materials not desirable shall be disposed off in area indicated by Engineer. When it is required to blend the material, it shall be done by selective excavation and filling operation. Wells, ponds, cesspools and water logged areas shall be emptied of water before filling. Filling shall be done in horizontal layers not exceeding 300mm in thickness as specified or as directed by the Engineer. All clods shall be broken before placing the fill. Earth moving equipment shall be allowed to ply over the fill to permit compaction. Adequate allowance shall be made for subsidence of fill material. Levels shall be taken and excess or shortfall shall be made good by appropriate cutting or filling.

9.0 EXCAVATIONS FOR FOUNDATIONS

Excavation for foundation shall be done to the lines and levels indicated in the drawings. Excavated material shall be transported and stored at convenient spots for reuse in back filling of foundations and other fills. Surplus material shall be transported, spread and leveled at dumping areas. Side slopes of excavation and/or shoring shall be adequate from consideration of stability and working space. When so required and authorized by Engineer, the sides of excavation shall be protected with proper shoring, strutting, sheeting and sand bags etc. These shall be removed only when work in the pit is completed with the approval of the Engineer. When it is felt that removal of supports may result in side collapse or settlement of adjoining ground or endanger adjoining structures and foundations, they shall be left permanently in position. The last 150 mm of excavation shall be done and the bottom trimmed to the required levels only when concreting is imminent. If at any point the natural ground is disturbed or loosened for any reason, it shall be consolidated by tamping or rolling or made up with concrete of M-7.5 grade cement concrete at no extra cost. Where the soil encountered at depths indicated in drawings is loose or weak, it shall be further excavated to levels of firm strata as may be directed by the Engineer and filled with lean concrete of M-7.5 grade cement concrete or sand as directed.


10.0 EXCESS EXCAVATION

All excavation done beyond the specified limits or directions of Engineer shall be considered as excess excavation. They shall be made good as prescribed below by the Contractor at his cost:

- (i). Excess excavation in case of site leveling shall be made good by filling and compacting with material same as the surrounding material. Degree of compaction shall be at least the same as the surrounding material.
- (ii). Excess excavation in case of foundation beyond required depths shall be made good by filling with lean concrete of M-7.5 grade cement concrete.

11.0 DISPOSAL

Excavated materials that are unsuitable for use in construction works or in excess of construction requirements shall be disposed off in dumping yards or in locations indicated by Engineer. Waste piles/heaps shall be located in such places where they will not interfere with

SPECIFICATIONS FOR SITE CLEARING, AREA GRADING, EXCAVATION & EARTHWORK	Doc No.	Rev	
	GAIL-STD-CV-DOC-TS-001	0	
	Page 6 of 7		


natural flow of rain water access or transport or with the access to nearby structures. When required, they shall be leveled and trimmed to such lines and levels as indicated by Engineer

12.0 BACKFILLING

Backfilling of foundations shall be done using suitable soils from excavations. Soil shall be free from organic matter and other materials which would affect the stability of the fill and shall be free from boulders, brick bats wood pieces and other injurious materials, lumps and clods. Before commencement of backfilling of foundations all shoring and formwork, bits of timber, cement bags and all other rubbish shall be removed. Backfilling operation shall not commence without approval of Engineer. Backfilling shall be carried out in well compacted layers of 150 mm thickness. Each layer shall have near optimum moisture content. Layers will extend to the entire width of excavation and shall be sprinkled with water during compaction process. Ramming shall be done to achieve firm compaction. Backfill shall be trimmed and finished to levels indicated in the drawings and/or as directed by the Engineer. Mechanical equipment like vibratory roller, vibro earth rammer or vibratory compactor shall be used for compaction.

13.0 EARTH FILLING

Material for filling shall be selected earth obtained from excavations for site leveling, trenches and foundations or from selected borrow areas as may be required. Soil shall be of uniform quality and free from boulders, organic materials and other objectionable matter and shall not be expansive soils. Filling shall be done in well compacted layers not exceeding 150 mm in thickness. Each layer shall be compacted to 95% Standard Procter Density. Sufficient soaking shall be done before compaction. The entire area shall be finally dressed and trimmed to required levels. Mechanical equipment like vibratory roller, vibro earth rammer or vibratory compactor shall be used for compaction.

SPECIFICATIONS FOR SITE CLEARING, AREA GRADING, EXCAVATION & EARTHWORK	Doc No.	Rev	
	GAIL-STD-CV-DOC-TS-001	0	
	Page 7 of 7		



GAIL INDIA LIMITED

**TECHNICAL SPECIFICATION
FOR
PLAIN CEMENT CONCRETE & ALLIED WORKS**

GAIL-STD-CV-DOC-TS-002

Rev	Date	Purpose	Prepared By	Checked By	Approved By
0	06.02.19	ISSUED FOR ABID	SS	UN	SKK




TABLE OF CONTENTS

1. **INTRODUCTION.....3**

2. **PLAIN CEMENT CONCRETE 1:3:6 OR AS SPECIFIED :3**

3. **M-20 CEMENT CONCRETE :3**

4. **APPLICABLE CODES AND SPECIFICATIONS.....4**

TECHNICAL SPECIFICATION FOR PLAIN CEMENT CONCRETE AND ALLIEDS WORKS	Doc No.	Rev	
	GAIL-STD-CV-DOC-TS-002	0	
	Page 2 of 4		

1. INTRODUCTION

This specification covers the general requirements for concrete to be used on jobs using on-site production facilities including requirements in regard to the quality, handling, storage of ingredients, proportioning, batching, mixing and testing of concrete, and also requirements in regard to the quality, storage, bending and fixing of reinforcement. This also covers the transportation of concrete from the mixer to the place of final deposit and the placing, curing, protecting, repairing and finishing of concrete.

2. PLAIN CEMENT CONCRETE 1:3:6 OR AS SPECIFIED :

Plain cement concrete shall be in proportion of 1:3:6 or as specified. i. e. in volume by one part of cement, three part of coarse sand and six parts of black stone aggregate of size 40 mm size.

The building materials as stated above shall be mixed in dry condition with power driven concrete mixer. After materials are properly mixed, water shall be added and materials shall again be mixed in concrete mixer. It should be watched that no excessive water is added so that permissible water cement ratio is maintained throughout during the progress of concrete work. . Before the concreting work, necessary centering work if so necessary shall be provided for which payment shall be done separately under respective items. All the materials shall be got tested for every lot from govt. approved Engineering testing laboratories as per I.S. code of practice and test certificates shall be submitted to Owner/site engineer .


The concrete so prepared shall be stacked in water tight platform .The concrete should not be thrown from height so that segregation may not take place. The concrete so placed shall be properly compacted with concrete vibrator machine to avoid voids .Moreover concrete shall be compacted in such a way that the surface is become smooth and no honey combing is observed.

After properly setting of concrete, curing shall be done for minimum period of seven days.

3. M-20 CEMENT CONCRETE :

The cement concrete shall be in proportion.(1:1.5:3) i.e. in volume by 1 part of cement,1.5 parts of coarse sand and 3 parts of black stone aggregate of size 20 mm size. The stone aggregate shall be of even size and black in color without any white spot. The aggregate shall be got approved from engineer in charge /Owner. The building materials as stated above shall be mixed in dry condition with power driven concrete mixer. After materials are properly mixed, water shall be added and materials shall again be mixed in concrete mixer. It should be watched that no excessive water is added so that permissible water cement ratio is maintained throughout during the progress of concrete work. Before concreting work, necessary centering work and reinforcement as per structural drawing shall be placed for which payment shall be done under respective items. All the materials shall be got tested for every lot from govt. approved Engineering testing laboratories as per I.S. code of practice and test certificates shall be submitted to Owner/Owners representative.

After setting of concrete, sufficient curing shall be done for minimum period of seven days. During concrete work, concrete cube of size 150m.m. x 150 m.m. x 150 m.m. shall be prepared and these concrete cubes shall be got tested for compressive strength from approved engineering testing laboratories and testing certificate should be submitted to Owner/Owners representative. The slump test shall also be carried out on site of work during every concrete work on site.

TECHNICAL SPECIFICATION FOR PLAIN CEMENT CONCRETE AND ALLIEDS WORKS	Doc No.	Rev	 746 of 1517
	GAIL-STD-CV-DOC-TS-002	0	
	Page 3 of 4		

4. APPLICABLE CODES AND SPECIFICATIONS

The following specification, standards and codes shall form a part of this specification. All standards, tentative specifications, codes of practice, referred to herein, shall be the latest editions including all applicable official amendments and revisions.

In case of discrepancy, if any, between this specification and those referred to in the following, the latter shall be govern.


Applicable Specifications and Codes of Practices.

I.S. 269 - Specification for ordinary and low heat Portland cement.

I.S. 383 - Specification for coarse and fine aggregate from natural source for concrete.

I.S. 2386 - Method of test for aggregates for Concrete (Part I to VIII)

I.S. 516 - Method of test for strength of concrete

TECHNICAL SPECIFICATION FOR PLAIN CEMENT CONCRETE AND ALLIEDS WORKS	Doc No.	Rev	 747 of 1517
	GAIL-STD-CV-DOC-TS-002	0	
	Page 4 of 4		



GAIL INDIA LIMITED

TECHNICAL SPECIFICATION FOR PORTA CABIN


GAIL-STD-CV-DOC-TS-003

Rev	Date	Purpose	Prepared By	Checked By	Approved By
0	06.02.19	ISSUED FOR BID	SC	UN	SKK



CONTENTS

1.0	INTRODUCTION.....	3
2.0	DESIGN	3
3.0	FOUNDATION	3
4.0	SHELL	3
5.0	SKID.....	3
6.0	WALLS.....	3
7.0	STEPS.....	3
8.0	WINDOWS.....	4
9.0	DOORS.....	4
10.0	ROOFS.....	4
11.0	SURFACE PREPARATION AND PAINTING.....	4
12.0	ELECTRICALS.....	4
13.0	HANDLING AND TRANSPORTATION.....	5

TECHNICAL SPECIFICATION FOR PORTA CABIN	Doc No.	Rev	
	GAIL-STD-CV-DOC-TS-003	0	
	Page 2 of 5		

1.0 INTRODUCTION

The Porta Cabin shall be insulated type steel structure, shall be well ventilated and shall be brought to site in knock down condition and assembled at site or factory prefabricated. All components of the prefabricated cabin shall be reclaimable and reusable.

2.0 DESIGN

The structure of the prefabricated Cabin (i.e. all walls, ceiling, floor etc.) shall be tubular steel/ structural steel members. The fully erected and anchored prefabricated Cabin after installation/ placing in position shall be structurally strong enough to withstand wind force of minimum speed 47 m/sec. and earthquake for seismic zone 3, importance factor 1.5.

3.0 FOUNDATION

RCC M25 foundation shall be constructed up to a height of 450 mm from finished ground level for installation of Porta Cabin.

4.0 SHELL

The shell structure shall comprise of side walls, end walls and self draining roof.

5.0 SKID

The floor shall be made up of ISMC (channels) or tubes of required sizes and shall be used to form the floor grid of minimum size 600mm x 600mm. Materials of structural steel members shall conform to IS: 2062 Grade A. The floor shall be minimum 200mm above bottom level and shall be covered with marine Ply board (IS: 2202/ 1991) of required thickness or cement fiber board of required thickness; finished neatly with floor vinyl (of required thickness), in roll/ tiles by means of neoprene base adhesive as per manufacturer's recommendations.

6.0 WALLS


Walls shall be made up of 'sandwich' insulated panels manufactured using outer side minimum 0.63mm thick profiled pre-coated galvanized steel sheet (Rib Profile) and inner side minimum 0.63mm thick profiled pre-coated galvanized steel sheet (Plain) conforming to IS: 277 with insulation of PUF/ mineral wool/ glass wool/rock wool of approved make, in between steel sheets. Average 75 mm thick thermal insulation of thermocol shall be provided on the side walls, end walls and roof with proper fixing arrangement. It shall be waterproof, termite proof, heat and fire resistant and comfortable in extreme hot and cold climate. The walls shall be provided with internal paneling of laminated plywood of required thickness. Necessary provisions shall be provided in the walls (at desired locations) for installing split type air-conditioners and exhaust fans.

7.0 STEPS

Fabricated steel steps of detachable type having necessary treads shall be provided at doors for getting inside. These shall be made of checkered plates and formed channel sections.

8.0 WINDOWS

The windows shall be provided in the desired location. The windows shall be horizontal sliding type having overall dimensions 1600x1200 mm (H x W). The windows shall be decorated by

TECHNICAL SPECIFICATION FOR PORTA CABIN	Doc No.	Rev	
	GAIL-STD-CV-DOC-TS-003	0	
	Page 3 of 5		

anodized aluminum extruded section fitted with 5.5mm toughened glass and grill. Iron grills made of 20 mm M.S. flats shall also be provided in the windows for safety purpose. Stainless Steel fly-proof mesh in suitable framework shall also be provided in the windows. The windows shall be provided with steel rain-shed made from min. 2 mm thick sheet (IS:1079 Gr.O) from outside.

9.0 DOORS

Doors having overall dimensions 2100x900 mm (H x W) shall be of aluminum extruded sections with partly glazed portion (from lock rail level to top rail; with 5.5mm toughened glass) and partly with 10mm thick cement bound particle board panel (from bottom rail to lock rail level). The doors shall be complete with necessary fittings and fixtures like mortice lock, handles, tower bolt, floor mounted double action floor spring hinges etc. The peripheral edges of the door shall be provided with rubber seal to prevent ingress of water and dust. The door panels shall be outward opening type with single leaf closing. The door shall be provided with steel rain-shed made from 2 mm thick sheet (IS:1079 Gr. O) from outside.

10.0 ROOFS


Roof shall be made up of 'sandwich' insulated panels manufactured using outer side minimum 0.63mm thick profiled pre-coated galvanized steel sheet (Rib Profile) and inner side minimum 0.63mm thick profiled pre-coated galvanized steel sheet (Plain) confirming to IS: 277 with insulation of PUF/ mineral wool/ glass wool/rock wool, of approved make, in between steel sheets. Average 75 mm thick thermal insulation of thermocol shall be provided on the side walls, end walls and roof with proper fixing arrangement. The roof shall be waterproof, termite proof, heat and fire resistant and comfortable in extreme hot and cold climate. The ceiling shall be provided with internal paneling of laminated plywood of required thickness. Roof shall be supported on suitable trusses and purlins. Roof shall be extended by minimum 600mm on all sides to provide rain/ sun protection to doors and windows.

11.0 SURFACE TREATMENT AND PAINTING

The surface preparation of all fabricated steel components shall be done by manual grit blasting to achieve SA-2 quality finish, followed by one coat of zinc based primer and two coats of enamel of approved make and shade. The under frame and skid shall be painted with bituminous / red lead paint of reputed make. Necessary marking/ logos shall be provided as per the instruction of Owner. All the internal walls shall be finished with Oil bound distemper of approved make and shade.


12.0 ELECTRICALS

PVC insulated copper wire of ISI mark shall be used for the wiring. This wiring shall be done in PVC conduits. As a measure of safety, continuous copper earth wire shall be provided as necessary. For lighting circuits 3/1.09 cable shall be used. For connecting power supply, 3 pin input industrial socket of 32 Amps capacity shall be provided. Concealed type (1x36) roof hanging florescent light shall be provided. In addition, one number each of 15 Amps and 5 Amps 3 pin sockets shall be provided at suitable locations inside the cabin. All electrical points & switches shall be of Anchor or equivalent make.

TECHNICAL SPECIFICATION FOR PORTA CABIN	Doc No.	Rev	
	GAIL-STD-CV-DOC-TS-003	0	
	Page 4 of 5		

13.0 HANDLING AND TRANSPORTATION

Necessary arrangement shall be provided at top four corners for safe and easy lifting and transportation of the bunkhouse.

TECHNICAL SPECIFICATION FOR PORTA CABIN	Doc No.	Rev	
	GAIL-STD-CV-DOC-TS-003	0	
	Page 5 of 5		



GAIL INDIA LIMITED

TECHNICAL SPECIFICATION FOR CHAIN LINK FENCING


GAIL-STD-CV-DOC-TS-004

Rev	Date	Purpose	Prepared By	Checked By	Approved By
0	16.01.19	ISSUED FOR BID	SC	UN	SKK



CONTENTS

1.0	INTRODUCTION.....	3
2.0	MATERIALS	3
3.0	ERECTION	3

TECHNICAL SPECIFICATION FOR CHAIN LINK FENCING	Doc No.	Rev	
	GAIL-STD-CV-DOC-TS-004	0	
	Page 2 of 3		

1.0 INTRODUCTION

This specification specifies the requirements of chain link fence for security purposes.

2.0 MATERIALS

Material for chain link fencing shall conform to IS: 2721 latest edition. Mesh for chain link fencing shall be of 2.5 mm hot dip galvanized steel mesh wire, the diameter being measured over zinc coating. The diameter of mesh wire shall not vary from the specified diameter by more than 0.05mm. The material for mesh wire and line wire of chain link fencing shall conform to IS: 280-1978. Stretcher bar for erection of mesh shall consist of mild steel flats 25mmx4.75mm. The stirrup wire for securing the line wires to the intermediate post shall be of 2.5mm mild steel wire. Hairpin staples for fastening the bottom line wire to the foundation concrete shall be of 6mm mild steel wire with ends of staples bent outwards for adequate anchorage. The cleats for eyebolts shall be of mild steel plate 10mm thick.


Material for barbed wire shall conform to IS: 278 latest edition. Line wire for the barbed wire shall be made from two strands of galvanized steel wire of nominal diameter 2.5mm twisted together. Barbs shall be made of point wire of galvanized steel of nominal diameter 2.5mm in such a way that four points of the barbs are set and located or locked as far as possible at right angles to each other. The barbs shall have a length of not less than 13mm and not more than 18mm. Droppers for barbed wire shall be of mild steel flat 25mmx4.75mm with 38mmx4.85mm half round staples for fastening the barbed wire.

3.0 ERECTION

Straining posts shall be provided at all ends and corners of fences, at changes in direction or acute variations in level and at intervals not exceeding 60m on straight lengths of fence. Intermediate posts shall be spaced at regular intervals not exceeding 3m. Struts shall be fitted to all straining posts behind the chain link fabric in the direction of the line of fence.

There shall be four evenly spaced rows of line wire. The top wire shall be doubled, making five line wires in all. The bottom wire shall be close to the ground. Each line wire shall be strained lightly by means of eyebolt strainer at each straining point. The eyebolt strainer shall consist of bolt with welded eye. The bolt shall be sufficiently threaded and fitted with a nut and washer. Each line wire shall be secured to each of the intermediate posts by a wire stirrup passing through holes in the posts and secured to the line wire by three complete turns on each side of the post. Two-way eyebolt strainers shall have suitable ring nuts fitted after wires have been strained on one side.

The mesh shall be strained between each pair of straining posts and shall be secured to each straining post by means of a stretcher bar. One of the top line wires shall be threaded through the appropriate adjacent rows of mesh, care being taken that no meshes in the rows are by-passed by the line wire except where deviation is necessary at the straining posts. The second top line wire shall be strained in front of the fencing. The mesh shall be attached to top and bottom line wires by wire ties spaced 150mm apart and to other line wires by wire ties spaced 450mm apart. Bottom row of the mesh shall be threaded to the foundation concrete using staples spaced 500mm apart and set in concrete to a depth of 150mm. The top of concrete shall be 50mm above G.L. and 50mm below the fencing.

TECHNICAL SPECIFICATION FOR CHAIN LINK FENCING	Doc No.	Rev	
	GAIL-STD-CV-DOC-TS-004	0	
	Page 3 of 3		



GAIL INDIA LIMITED

**TECHNICAL SPECIFICATION
FOR
STRUCTURAL CONCRETE**


GAIL-STD-CV-DOC-TS-005

Rev	Date	Purpose	Prepared By	Checked By	Approved By
0	16.01.19	ISSUED FOR BID	SS	UN	SKK



CONTENTS

1.0	INTRODUCTION.....	3
2.0	MATERIALS FOR CONCRETE.....	3
3.0	CONCRETE MIX PROPORTIONING.....	7
4.0	FORMWORK.....	10
5.0	CONSTRUCTION JOINTS.....	13
6.0	REINFORCEMENT.....	14
7.0	TRANSPORTING, PLACING, COMPACTING AND CURING OF CONCRETE.....	15
8.0	CONCRETING IN HOT WEATHER.....	17
9.0	CONCRETING IN ADVERSE WEATHER.....	17
10.0	SAMPLING AND STRENGTH OF CONCRETE.....	17
11.0	INSPECTION.....	18
12.0	CLEAN UP.....	18
13.0	WORKABILITY.....	18
14.0	INITIAL SETTING TIME.....	19
15.0	SLUMP.....	19
16.0	PRECAST CONCRETE.....	19
17.0	GROUTING.....	20

TECHNICAL SPECIFICATION FOR STRUCTURAL CONCRETE	Doc No.	Rev	
	GAIL-STD-CV-DOC-TS-005	0	
	Page 2 of 21		

1.0 INTRODUCTION

This specification covers the materials, workmanship, special requirements & regulations with which the contractor must comply to achieve dense workable concrete, having the specified characteristic strength.

The mixing, placing, compacting, curing and finishing of concrete shall be done according to IS: 456-2000 "Code of Practice for Plain and Reinforced Concrete".

2.0 MATERIALS FOR CONCRETE

AGGREGATES

Aggregates shall comply with the requirements of IS: 383-1970 "Coarse and Fine Aggregates for Concrete". They shall be hard, strong, dense, durable, clean and free from veins and adherent coating, vegetable matter and other deleterious substances; and shall be obtained from approved sources. Aggregates shall not contain any harmful material such as pyrites, coal, lignite, shale or similar laminated material, clay, alkali, soft fragments, sea shells and organic impurities in such quantity as to affect the strength or durability of concrete. Aggregates which are chemically reactive with alkalis of cement shall not be used. Aggregates which are not sufficiently clean shall be washed in clean fresh water to the satisfaction of the Engineer.

TESTING

All aggregates shall be subject to inspection and testing. The Contractor shall submit samples for testing as may be required by the Engineer. Sampling and testing shall be carried out in accordance with IS: 2386-1963 "Methods of Test for Aggregates for concrete".

GRADING


The Contractor shall ensure that the full range of aggregate used for making concrete is graded in such a way as to ensure a dense workable mix. The delivery of aggregates will commence only when the Engineer has approved the samples and the quality and grade shall be maintained consistent and equal to the approved sample. Before construction commences, the Contractor shall carry out a series of tests on the aggregates and on the concrete to determine the most suitable grading of the available aggregates. Once the most suitable grading has been found, the grading shall be adopted for the construction of the works and periodic tests shall be carried out to ensure that it is maintained.

SIZE AND GRADING OF FINE AGGREGATES

The grading shall conform to IS: 383 and shall be within the limits of Grading Zone-III. The maximum size of particle shall be 4.75mm and shall be graded down. Sand containing more than 10% of fine grains passing through 150 micron sieve or having the fineness modulus less than 2 shall not be used for concrete work.

SIZE AND GRADING OF COARSE AGGREGATES

The nominal maximum size of the aggregates for each mark of concrete or for each type of

TECHNICAL SPECIFICATION FOR STRUCTURAL CONCRETE	Doc No.	Rev	
	GAIL-STD-CV-DOC-TS-005	0	
	Page 3 of 21		

work shall depend upon the description of the particular item in the Schedule of Items and/or according to relevant clauses of IS: 456-2000. The aggregates shall be well graded and the grading shall conform to relevant requirements of IS: 383 depending upon the maximum nominal size as specified or as required.

TYPE OF COARSE AGGREGATES

The type of coarse aggregate viz., stone chips, gravel or broken brick shall be as described in the Schedule of Items. Unless otherwise specified in the Schedule of Items, stone chips shall be used as coarse aggregate.

➤ STONE CHIPS

It shall be crushed or broken from hard stone obtained from approved quarries of igneous or metamorphic origin. The stone chips shall be hard, strong, dense, durable and angular in shape. It shall be free from soft, friable, thin, flat, elongated or laminated and flaky pieces and free from dirt, clay lumps, and other deleterious materials like coal, lignites, silt, soft fragments, and other foreign materials which may affect adversely the strength & durability of concrete. The total amount of deleterious /foreign materials shall not exceed 5% by weight according to relevant clause of IS: 383.

➤ GRAVEL

It can be either river bed shingle or pit gravel. It shall be sound, hard, clean, and irregular in shape and suitably graded in size with or without some broken fragments. It shall be free from flat particles, powdered clay, silt, loam and other impurities. Before using, the gravel shall be screened and washed to the satisfaction of the Engineer. However, the foreign/deleterious materials shall not exceed 5% by weight.

➤ BROKEN BRICKS

These shall be obtained by breaking well burnt or over burnt dense brick bats. They shall be homogeneous in texture, well graded in size, roughly cubical in shape, clean and free from dirt, clay, silt or any other deleterious matter. Before use, these shall be screened.

FINE AGGREGATES


Unless specified otherwise it shall either be natural river sand or pit sand.

Sand shall be clean, sharp, strong, angular and composed of hard siliceous material. It shall not contain harmful organic impurities in such form or quantities as to affect adversely the strength and durability of concrete. Sand for reinforced concrete shall not contain any acidic or other impurities which are likely to attack steel reinforcement. The percentage of all deleterious materials including silt, clay etc., shall not exceed 5% by weight. If directed, sand shall be screened or washed before use to the satisfaction of Engineer.

CEMENT

Ordinary Portland cement / Portland slag cement complying with the requirements of IS:269-1989 and I.S. 455-1989 respectively shall be used for making plain and reinforced concrete, cement grout and mortar.

Other types of cement may be used depending upon the requirements of certain jobs with the

TECHNICAL SPECIFICATION FOR STRUCTURAL CONCRETE	Doc No.	Rev	
	GAIL-STD-CV-DOC-TS-005	0	
	Page 4 of 21		

approval of the Engineer. These shall conform to the following standards:

The Contractor shall supply a copy of the manufacturer's test certificate for each consignment of cement supplied by him and consignments shall be used on work in the order of delivery. The Contractor shall supply samples of cement to the Engineer as frequently as he may require for testing. The sampling of cement for testing shall be according to IS: 3535-1986. All tests shall be in accordance with the relevant clauses of IS: 4031 (Part-I to Part-15) 1988 to 1991 & IS: 4032-1985.

In order to ensure due progress, the Contractor shall at all times maintain on the site at least such stock of cement as the Engineer may from time to time consider necessary. No cement shall be used upon the works until it has been accepted as satisfactory by the Engineer.

The cement shall be stored in such manner as to permit easy access for proper inspection and in a suitable weather-tight, well ventilated building to protect it from dampness caused by ingress of moisture from any source. Different types of cement shall be stored separately. Cement bags shall be stacked at least 15 to 20 cm clear of the floor leaving a space of 60 cm around the exterior walls. The cement shall not be stacked more than 10 bags high. Each consignment of cement shall be stacked separately to permit easy access for inspection.

WATER

Water used for mixing concrete and mortar and for curing shall be clean and free from injurious amounts of oil, acid, alkali, salts, sugar, organic materials or other substances that may be deleterious to concrete or steel. The pH value of water shall generally be not less than '6'. Water has to meet the requirements mentioned in clause 4.3 of IS: 456-2000. Water shall be obtained from an approved source.

Where it is obtained from a source other than a supply main, it shall be tested to establish its suitability. Water for construction purpose shall be stored in proper storage tanks to prevent any organic impurities getting mixed up with it.

ADMIXTURE


Admixtures to concrete shall not be used without the written consent of the Engineer. When permitted, the Contractor shall furnish full details from the manufacturer and shall carry out such test as the Engineer may require before any admixture is used in the work.

REINFORCEMENT STEEL

Reinforcing bars for concrete shall be round steel bars of the following types as may be shown on the drawing:

- Plain mild steel bars conforming to Grade-I of IS: 432-1982 "Mild Steel & Medium Tensile Steel for Concrete Reinforcement".
- "High strength deformed steel bars conforming to IS : 1786-2008 for Concrete Reinforcement".
- Reinforcement fabrics conforming to IS:1566-1982 "Hard Drawn Steel Wire Fabric for Concrete Reinforcement"

All reinforcement bars shall be of uniform cross sectional area and be free from loose mill

TECHNICAL SPECIFICATION FOR STRUCTURAL CONCRETE	Doc No.	Rev	
	GAIL-STD-CV-DOC-TS-005	0	
	Page 5 of 21		

scales, dust, loose rust, coats of paint, oil or other coatings which may destroy or reduce bond. Unit weight of reinforcement bars conforming to I.S. 1786-1985 is given below.

Nominal Size (Dia) (mm)	Mass Per Meter Run (Kg)
6	0.222
8	0.395
10	0.617
12	0.888
16	1.580
20	2.470
25	3.850
32	6.310

Binding wire for reinforcement shall be annealed steel wire 20 BWG conforming to IS : 280 - 1978 "Specification for Mild Steel Wire".

FOUNDATION BOLTS

Bolts to be embedded in concrete shall, unless otherwise detailed in drawings, conform to IS : 5624-1970 "Specification for Foundation Bolts". Material for bolts, shall, unless otherwise mentioned in drawings or the schedule of items, be of steel conforming to IS : 2062-1992.

Nuts and locknuts shall conform to IS : 1363 (Part 1 to 3) -1992 "Specification for Black Hexagon Bolts, Nuts and Lock Nuts (Diameter 6-39 mm) and Black Hexagon Screws "Specification for Hexagon Bolts and Nuts (M-42 to M-150)".


Plain washers shall conform to IS : 2016 -1967 "Specification for Plain Washers and spring washers shall conform to IS : 3063 -1972 "Spring Washers for Bolts, Nuts & Screws".

3.0 CONCRETE MIX PROPORTIONING

The mix proportion shall be selected to ensure adequate workability when handling and placing. On hardening, concrete shall have the required strength, durability and surface finish. The determination of the proportions of cement aggregates and water to attain the required strength shall be either:

- By determining the concrete mix; such concrete shall be called "Design Mix Concrete", or
- By adopting nominal concrete mix; such concrete shall be called "Nominal Mix Concrete".

Concrete of grade M20 and above shall be 'Design Mix Concrete' unless otherwise specified. In either case, the Contractor shall be solely responsible to ensure that the concrete has all the essential properties, i.e. characteristic compressive strength, and any additional properties that may be specified.

TECHNICAL SPECIFICATION FOR STRUCTURAL CONCRETE	Doc No.	Rev	
	GAIL-STD-CV-DOC-TS-005	0	
	Page 6 of 21		

MIXES & MIXING

Concrete for construction shall be as detailed in the table of concrete mixes & as shown by test cube results as specified. This list may be extended by the addition of other mixes as required and to the approval of the Owner/Owner's Representative.

The criteria stated in the table of concrete mixes are designed to produce concrete of the required strength & durability.

The specified characteristics strength is for concrete which has been cured at a temperature of $20^{\circ}\text{C} \pm 1^{\circ}\text{C}$. The term "characteristics strength" represents the value of the strength of concrete corresponding to the probability that, for a normal statistics distribution of the test results for determining the strengths by the compression tests, only 5% of the test result have a value lower than the one determined in this way.

The mixes shall be designed mean strengths that are greater than the specified characteristics cube strength by a margin of 1.64 times the standard deviation expected from the concrete batching plant, except that no standard deviation of less than 3.5N/mm^2 shall be used as a basis for designing a mix.

Mixes shall be designed with due regard for minimum workability necessary to allow the contractor to place & compact the concrete as specified with the equipment he proposes to use in any particular situation.

TABLE OF CONCRETE MIXES			
Concrete Grade	Minimum Qty of cement Kg/m^3	Maximum free water-cement ratio	Characteristics strength 150 mm Cube
M20	300	0.55	20
M25	300	0.5	25
M30	320	0.45	30
M35	340	0.45	35
M40	360	0.4	40

Where air-entrainment is specified the average air content as measure in accordance with relevant Indian codes:

- Concrete containing 40 mm max. size aggregate $4.0\% \pm 1.0\%$
- Concrete containing 20 mm max. size aggregate $5.0\% \pm 1.0\%$


These air contents are applicable at the time of concrete placing.

Concrete for paving or non structural pre-cast units shall have minimum flexural beam strength of 3.5N/mm^2 at 28 days.

DESIGN MIX CONCRETE

At least two weeks before commencement of concreting of a particular grade in permanent works, the Contractor shall have obtained the Owner/Owner's Representative's approval of the Design Mix for that particular grade.

TRIAL MIXES**STRUCTURAL CONCRETE**

TECHNICAL SPECIFICATION FOR STRUCTURAL CONCRETE	Doc No.	Rev	
	GAIL-STD-CV-DOC-TS-005	0	
	Page 7 of 21		

The mix(s) shall be designed mixes in accordance with IS SP23 Handbook on Concrete Mixes and IS 10262 and as specified in this document. The relative proportions of the fine and coarse aggregates, the workability and strengths of the mixes shall be determined by production equipment trial mixes. The trial mixes shall be carried out in order to produce a concrete which can be properly placed and compacted, so that a dense impermeable concrete can be produced which shall adequately resist the ingress of damaging salts. If an admixture is proposed it shall be used in the trial mixes. The required workability for large foundations will differ from that for tall thin sections of structural concrete cast above ground and the trial mixes shall allow for both cases.

When the proposed workability and proportion of the aggregates and admixture (if any) for each of the grades of concrete has been established, test concrete shall be produced for approval. The following tests shall be carried out for each grade of concrete:

Four separate test mixes shall be prepared and six test cubes shall be made from each test mix for each grade of concrete. The test cubes shall be made and cured in accordance with IS 516. Testing shall be made in threes or multiples of threes. Only 28-day result shall be considered and the mean strength and standard deviation established for each grade.

The test mixes shall be accepted provided that:


- The mix proportions and workability are in accordance with this Specification.
- The standard deviation for all the different grades shall be worked out as per clause 2.1 of IS: 10262-1982.
- The acceptance criteria shall be in accordance with clause 16 of IS 456.

Maximum Water Cement Ratio in Cement Concrete to Ensure Durability under specified exposure		
Condition of Exposure	Concrete	
	Plain	Reinforced
Mild	0.6	0.55
For Example Completely Protected against weather, or aggressive conditions, except for A brief period of exposure to normal condition during construction		
Moderate	0.6	0.50
For Example Sheltered from heavy and wind driven rain and against freezing, whilst saturated with water, buried concrete in soil and concrete continuously under water		
Severe	0.5	0.45
For Example Exposed to Sea water, alternate wetting and drying and to freezing while wet, subject to heavy condensate or corrosive fumes		

Based on the results of the preliminary test, the contractor shall select a final design mix for the trial mixes and shall furnish the same to the Owner/Owner's Representative. The contractor shall demonstrate that the proposed design mix will produce the grade and quality of concrete required with adequate workability

A fresh mix design shall be arrived at each time there is a change in the quality or source of materials

Minimum Cement Content (Ref IS 456, Table 5)
Plain Concrete

TECHNICAL SPECIFICATION FOR STRUCTURAL CONCRETE	Doc No.	Rev	
	GAIL-STD-CV-DOC-TS-005	0	
	Page 8 of 21		

Exposure	Min. Grade of Concrete	Min. Cement Content (kg/m ³)
Mild	-	220
Moderate	M15	240
Severe	M20	250
Very Severe	M20	260
Extreme	M25	280
Reinforced Concrete		
Exposure	Min. Grade of Concrete	Min. Cement Content (kg/m ³)
Mild	M20	300
Moderate	M25	300
Severe	M30	320
Very Severe	M35	340
Extreme	M40	360

NOMINAL MIX CONCRETE


No mix design or preliminary tests are necessary for Nominal Mix Concrete. Nominal Mix Concrete shall be restricted to works of minor nature in which the strength of concrete is not critical as decided by the Engineer. The limit of chloride content of concrete shall be as follows:

Type or Use of Concrete	Max. Total Acid Soluble chloride content expressed as kg/m ³ of concrete
Concrete containing metal and steam cured at elevated temperature and pre-stressed concrete.	0.4
Reinforced or plain concrete containing embedded metal	0.6
Concrete not containing embedded metal	3.0

BATCHING

In proportioning concrete, the quantity of both cement and aggregate shall be determined by weight. If fine aggregate is moist and volume batching is adopted, allowance shall be made for bulking in accordance with IS 2386 (Part III). All measuring devices shall be accurate to + 3% and shall be regularly checked.

The water-cement ratio shall be maintained constant at its correct value. To this end, determination of moisture content in both fine and coarse aggregate shall be made by the Contractor at no extra cost. The frequency of tests shall be determined by the Engineer according to weather conditions.

TECHNICAL SPECIFICATION FOR STRUCTURAL CONCRETE	Doc No.	Rev	
	GAIL-STD-CV-DOC-TS-005	0	
	Page 9 of 21		

4.0 FORMWORK

The design and construction of the formwork shall be the responsibility of the Contractor. However, if instructed by the Engineer, the drawings and calculations for the design of the formwork shall be submitted to the Engineer for approval. Design of formwork shall take account of safety and surface finish. The formwork shall be sufficiently rigid and tight to prevent loss of grout or mortar from the fresh concrete.

Formwork shall be designed to withstand the worst combination of self weight, reinforcement weight, wet concrete weight, concrete pressure, construction and wind loads together with dynamic effect caused by placing, vibrating and compacting the concrete. Forms shall be designed and constructed to maintain rigidity throughout the placing, ramming, vibration and setting of the concrete to the required shape, position and level and specified class of finish within the allowable tolerances. All joints shall be sufficiently tight to prevent leakage of grout. If movement or deflection of the formwork or loss of grout occurs, the damaged concrete supported by such formwork shall be removed and the concrete re-cast so that the required finish is obtained. Formwork and its supports should be designed to withstand the worst combinations of self-weight, reinforcement and wet concrete weights, concrete pressure, construction and wind loads. Due regard shall be taken to the type of mix when considering the design pressure on the formwork. The formwork shall be precambered by an amount equal to the expected maximum deflection shall be as shown on the drawings.

If timber forms are used they shall be of sound, well-seasoned timber free from loose knots. The forms shall be faced to give the specified class of finish for the structures. The formed surfaces of exposed concrete shall be smooth, true and free from all irregularities.

For below ground concrete except against existing structures, rough formwork, steel pans etc., provided all joints prevent the loss of grout.

The formwork shall be capable of being dismantled and removed from the cast concrete without shock, disturbance or damage. The arrangement shall be such that the soffit forms properly supported on props, can be retained in position for such period as may be required by maturing conditions or specifications.


CLEANING AND TREATMENT OF FORMS

All rubbish shall be removed from the interior of the forms before the concrete is placed. The faces of the forms in contact with the concrete shall be clean and treated with a suitable release agent, where applicable. Release agent shall be applied so as to provide a thin uniform coating to the forms without contaminating the reinforcement.

STRIKING OF FORM WORK

In normal circumstances where Ordinary Portland Cement is used, forms shall generally be removed after the expiry of the following periods:

Walls, Columns and vertical faces of all structural members	24 to 48 hours
Slabs (Props left Under)	3 Days
Beam Soffits (Props left Under)	7 Days
Removal of Props under Slabs:	
1) Spanning upto 4.5m	7 Days
2) Spanning over 4.5m	14 Days

TECHNICAL SPECIFICATION FOR STRUCTURAL CONCRETE	Doc No.	Rev	
	GAIL-STD-CV-DOC-TS-005	0	
	Page 10 of 21		

Removal of Props under Beams and Arches:	
1) Spanning upto 6.0m	14 Days
2) Spanning over 6.0m	21 Days

For other cements, the stripping time recommended for Ordinary Portland Cement shall be suitably modified. The number, size and position of props left under shall be such as to be able to safely carry the dead load of the slab, beam or arch, together with any live load likely to occur during curing or further construction.

Sleeves for through bolts shall not be provided in formwork for liquid retaining structures as they are potential hazard for leakage. Special devices shall be fabricated using two ordinary M20 nuts separated by two numbers 10 mm rounds welded to opposite flat side of the nuts. The faces of the nuts will have a compressible rubber bushing 20 mm thick. The overall dimension of the assembly shall be 50 mm less than the designed thickness of the concrete. Adjusting bolt shall pass through formwork and will lock into the nuts. While these bolts are tightened, the formwork will travel inwards.

Once the desired dimension is achieved, concrete will be poured. During removal of shuttering, the bolts will be removed to loosen the shuttering plates. The depression will be sealed using suitable concrete sealant.

SURFACE FINISHES FROM FORMWORK

Generally formwork shall be specified as either wrought or unwrought depending on the required surface finish.

UNWROUGHT FORMWORK

Unwrought Formwork shall consist of sawn boards, brick or concrete block work, sheet metal or other suitable material to give adequate support to the concrete.

Appearance is not of primary importance for this class of formwork.

Surfaces to which plaster, granolithic or other finish is to be applied shall be roughened while the concrete is still green.


WROUGHT FORMWORK

Wrought formwork shall be provided for concrete surfaces that are required to be finished smooth.

Wrought formwork shall be lined with metal or plywood having smooth surfaces and edges. Formwork shall be furnished in largest practicable sizes to minimize the number of joints. Care shall be taken that there are no irregularities or roughness between successive sections of shuttering such that finished surfaces shall be free of board or shutter marks. Upon removal of formwork, surfaces of finished concrete shall be rubbed down with carborundum stone where necessary to obtain a uniform and smooth appearance.

The finish shall be such as to require no filling of surface pitting, butt fins, surface discoloration and other minor defects shall be remedied by approved methods.

Rendering of defective concrete as a means of making good will not be permitted except that, in case of minor porosity on the surface, approval may be given for the surface to be treated by rubbing down with a cement mortar of the same fine aggregate/cement ratio as the concrete. The treatment shall occur immediately after removing the formwork. Both cement and aggregate shall be from the same source as the concrete materials.

TECHNICAL SPECIFICATION FOR STRUCTURAL CONCRETE	Doc No.	Rev	
	GAIL-STD-CV-DOC-TS-005	0	
	Page 11 of 21		

Concrete containing honeycombing, major air holes or similar defects shall be cut out and replaced as directed. No repair shall be executed without approval.

TIES

Where it is required to use internal ties and spacers, their type, spacing and use shall be approved. No part of any such tie or spacer remaining permanently embedded in the concrete shall be nearer than the specified cover to the finished surface of the concrete. Wire ties projecting through the concrete face shall not be permitted.

PERMANENT FORMWORK

Permanent formwork for elevated concrete floors in steel structures shall be profiled steel sheet. The sheet shall be of sufficient thickness to sustain all construction loads plus the weight of fresh concrete between supporting beams without excessive deflection. The underside of the sheet shall be coated with an approved corrosive resistant paint. The material shall conform to IS 513. The deflection shall be limited to span / 150. The sheet shall be fixed on the supporting beams at every alternate valley by 10 mm dia fusion welding with 22 mm dia x 2.5 mm thick reinforcing washer. Minimum 100 mm overlap shall be provided. The deck sheet end resting on wall shall have a seating of 150 mm minimum. Side laps shall be secured with tack welding to ensure that the slurry does not leak down. End laps shall always be on the supporting walls or on supporting beams. The overhang of the deck sheet shall be limited to 300 mm maximum. Temporary supports, where ever advised by the construction manager, shall be firm, and at the same level as the permanent supports and shall be in place till the concrete attains its full strength. While removing the temporary supports, care shall be taken that the slab is not disturbed.

FORMWORK FOR VIBRATED CONCRETE

If external vibrators are to be used for compaction of concrete, the type of vibrator, design of the formwork and the method of fixing the vibrators shall all be approved.


CLEANING AND TREATMENT OF FORMS

Before concreting is commencing the forms and previously cast concrete shall be thoroughly cleaned and free from all sawdust, tie wire, shavings, dust, dirt and other debris. Temporary openings shall be provided where necessary to drain away water and remove rubbish.

Release agents shall be applied and be compatible with the class of finish. Care shall be taken not to contaminate the reinforcement.

5.0 CONSTRUCTION JOINTS

The number of construction joints shall be kept to the minimum necessary for the execution of the work. Their location shall be carefully considered and approved by Engineer before concrete is placed. Construction joints shall normally be at right angles to the general direction of the member. The concrete at the joint shall be bonded with that subsequently placed against it, without provision for relative movement between the two. When the work has to be resumed on surface, which has hardened, such surface shall be roughened. It shall then be swept clean and thoroughly wetted. For vertical joint neat cement slurry shall be applied on the surface before it is dry. For horizontal joints the surface shall be covered with a layer of

TECHNICAL SPECIFICATION FOR STRUCTURAL CONCRETE	Doc No.	Rev	
	GAIL-STD-CV-DOC-TS-005	0	
	Page 12 of 21		

mortar about 10 to 15 mm thick composed of cement and sand in the same ratio as the cement and sand in concrete mix. This layer of cement slurry or mortar shall be freshly mixed and applied immediately before placing of the concrete.

Where the concrete has not fully hardened, all laitance shall be removed by scrubbing the wet surface with wire brushes, care being taken to avoid dislodgement of particles of aggregate. The surface shall be thoroughly wetted and all free water removed. The surface shall then be coated with neat cement slurry. On this surface, a layer of concrete not exceeding 150 mm in the thickness shall first be placed and shall be rammed against old work, particular attention being paid to corners and close spots; work thereafter shall proceed in the normal way. The number, size and positions of props left under shall be able to carry safely the dead load of the slab, beam or arch together with any live load likely to occur during curing or further construction. Cambers and chamfers, wherever shown in drawing shall be provided accordingly.

EXPANSION JOINTS

Expansion joints and joints around equipment in concrete paving shall be as detailed in the drawing and shall be formed with an approved bitumen impregnated fibreboard. The upper 20 mm shall be sealed with an approved two part, Polysulphide, oil resistant sealant (H.C. grade) or hot applied bitumen sealing compound, applied strictly in accordance with the manufacturer's instructions.

The joint filler shall be fixed firmly to the first placed concrete before the adjoining concrete is placed. The concrete must be thoroughly compacted on both sides of the joint. The location of expansion joints shall be shown on the engineering drawings.

CONTRACTION JOINTS

Contraction joints (either complete or partial) shall be located on the drawings and formed with a building paper membrane interface, or equivalent separating membrane and the upper 25 mm depth sealed. The steel reinforcement shall be continuous through partial contraction joints. The use of contraction joints should be kept to a minimum compatible with freedom from cracking.

JOINT FILLERS

Joint fillers and sealing compounds shall comply to IS 1834, IS 1838 and IS 11433.


6.0 REINFORCEMENT

Reinforcement shall comply with IS 1786 or IS 432. Different types of reinforcement may be used in the same structural member. Reinforcement shall be cut and bent in accordance with approved bar bending schedules.

CUTTING AND BENDING

Reinforcement shall be cut and/or bent in accordance with IS 2502. It is essential that reinforcement shall not be subjected to mechanical damage prior to embedment. In general, reinforcement shall be bent cold.

Bends in reinforcement shall have a substantially constant curvature.

TECHNICAL SPECIFICATION FOR STRUCTURAL CONCRETE	Doc No.	Rev	
	GAIL-STD-CV-DOC-TS-005	0	
	Page 13 of 21		

It is permissible to bend mild steel reinforcement projecting from concrete provided that care is taken to ensure that radius of bend is not less than that specified in IS 2502. Grade Fe.415 bars shall not be re-bent or straightened without the Engineer's approval.

FIXING

Reinforcement shall be secured against displacement outside the specified limits. Actual concrete cover shall be not less than the required nominal cover minus 5 mm or two third the nominal cover whichever is more. In slabs, the actual concrete cover shall be not more than the required nominal cover plus.

5 mm on bars up to and including 12 mm size

10 mm on bars over 12 mm and up to 25 mm

15 mm on bars over 25 mm

Spacers and chairs shall be used to maintain the specified nominal cover to the steel reinforcement. Spacers or chairs shall be placed at a maximum spacing of 1 meter. Wherever reinforcing bars are intended to be in contact, they shall be securely bound together with 18 gauge annealed soft iron wire.

The mix used for spacer blocks made from cement, sand and fine aggregates shall be comparable in strength, durability and appearance to the surrounding concrete.

The position of reinforcement shall be checked before and during concreting, particular attention being directed to ensure that the nominal cover is maintained within the limits, given, especially in the case of cantilever sections.

SURFACE CONDITIONS

Concrete shall not be placed around reinforcement unless the reinforcement is free from mud, oil, paint, loose rust, grease or any other substance which can be shown to adversely effect the steel or concrete chemically or reduce the bond.

LAPS AND JOINTS

Laps and joints shall be made only by the methods specified and at the positions shown on the drawings or as agreed by the Engineer.


WELDING

Welding on site shall be avoided if possible, but may be permitted where suitable safeguards and techniques are employed. Generally, however, all welding shall be carried out in a workshop. The competence of the welder shall be demonstrated prior to and periodically during welding operations. Welding of mild steel bars shall be carried out in accordance with IS 2751. Welding of high strength deformed bars shall be in accordance with IS 9417. The carbon content of high yield strength deformed bars conforming to IS 1786 shall not be more than 0.25%. If carbon content exceeds the limits specified herein, specifically written down welding and testing procedure shall be followed.

TOLERANCES ON PLACING

Reinforcement shall be placed within the following tolerances:

1. For effective depth 200 mm or less + 10 mm
2. For effective depth more than 200 mm + 15 mm.

TECHNICAL SPECIFICATION FOR STRUCTURAL CONCRETE	Doc No.	Rev	
	GAIL-STD-CV-DOC-TS-005	0	
	Page 14 of 21		

TYING OF REINFORCEMENT

Bars crossing each other, where required shall be secured by binding wire (annealed) conforming to IS 280. Every compression bar will be tied at least in two perpendicular directions.

7.0 TRANSPORTING, PLACING, COMPACTING AND CURING OF CONCRETETRANSPORTING

Concrete shall be transported from the mixer to the formwork as rapidly as possible by methods that will prevent the segregation, loss of any ingredients or ingress of foreign matter or water and will maintain the required workability. The concrete shall be deposited as close as possible to its final position to avoid handling or moving the concrete horizontally by vibrating. The addition of water at point of discharge is prohibited.

PLACING AND COMPACTING CONCRETE

All placing and compacting shall be carried out under suitable supervision and as soon after mixing as is practicable. Placing of concrete shall commence only after embedment in the concrete is securely fixed in position. Care shall be taken to avoid displacing reinforcement and damage to the faces of formwork, particularly when the concrete is allowed to fall freely through the depth of lift. The concrete shall not be dropped from a height of over 1.5 meters unless it is dropped by a tremie or chute. The bonding medium shall have the same cement-sand content as the concrete to be placed on it. Bonding planes shall generally be horizontal. No concrete shall be placed in flowing water. Under water, concrete shall be placed in position by tremies or by pipeline from the mixer and never allowed to fall freely through the water.

Concrete shall be placed in successive horizontal layers in thicknesses not exceeding 500 mm. Concrete shall be thoroughly compacted by vibration or other means during placing and worked around the reinforcement, embedded fixtures and into corners of the formwork to form a solid void free mass having the required surface finish. When vibrators are used, vibration shall be applied continuously during the placing of each batch of concrete until the expulsion of air has practically ceased and in a manner that does not promote segregation. Over vibration shall be avoided to minimize the risk of forming a weak surface layer.

When internal or immersion type vibrators are used they shall have frequency of 7000 RPM. They shall be inserted in a vertical position at an interval of about 600 mm. Vibrators shall not be used to transport concrete inside the formwork. When external vibration is used, the design of formwork and disposition of vibration shall be such as to ensure efficient compaction and to avoid surface blemishes.


The Contractor shall keep a complete record of the work of concreting showing the time and date of placing. This record shall be available for inspection at any time by the Engineer. Structural concreting against open excavation will not be permitted.

CURING

Curing is the process of preventing the loss of moisture from the concrete while maintaining a satisfactory temperature. The prevention of moisture loss from the concrete is particularly important if the water/cement ratio is low.

Curing and protection shall start immediately after the compaction of the concrete to prevent it from:

Prematurely drying out, particularly by solar radiation and wind,
Leaching out by rain and flowing water.

TECHNICAL SPECIFICATION FOR STRUCTURAL CONCRETE	Doc No.	Rev	
	GAIL-STD-CV-DOC-TS-005	0	
	Page 15 of 21		

Where members are of considerable bulk or length, the cement content of the concrete is high, the surface finish is critical; the method of curing shall be specified in detail.

Surfaces shall normally be cured for at least for 7 days. The most common methods of curing are:

- Covering the surface with a damp absorbent material like sacking and keeping the material constantly wet.
- By ponding top surface with water (sea water not permitted) for slabs and the like.
- By continuous or frequent applications of water to the surface, avoiding alternate wetting and drying and the application of cold water to warm concrete surfaces.
- Spraying the surface with an efficient curing membrane.

The curing compound shall conform to relevant Indian Standards and shall be applied in accordance with the manufacturer's instructions to provide a water loss not greater than 0.55 kg/ m² in 72 hours. Curing compound shall be used where conventional curing by water cannot be accomplished, following approval of construction manager.

8.0 CONCRETING IN HOT WEATHER

In hot weather (above 40 deg C) special precautions shall be necessary to avoid the loss of moisture and/or rapid stiffening of the concrete, which prevents its proper compaction, can cause thermal and plastic cracking and a reduction in strength and durability.

During hot weather, the concreting shall be done as per the procedure set out in IS 7861 Part 1. At the time of placing, no part of the concrete shall have a temperature exceeding 35 deg C. The temperature of concrete can be reduced by cooling the water and aggregate.

During hot dry weather at the point of placement the fresh concrete shall be protected from drying winds and solar radiation by the provision of PVC or similar tented shelter, which shall remain to avoid exposure to the sun. Suitable method to shelter the surface shall be adopted such that finishing operations can be carried out whilst it is in place. To prevent early drying and cracking, the relative humidity shall be kept high and the concrete surfaces kept moist by spraying with clean water and covered with wet hessian.


Note: To avoid de hydration of concrete use OPC 43 grade cement.

9.0 CONCRETING IN ADVERSE WEATHER

Concreting shall not be permitted when storm or rain appears to be imminent. In the event that the rain storms or other severe weather conditions occur unexpectedly, concreting shall be stopped and appropriate temporary stop ends, vee grooves etc., placed as necessary. To meet such circumstances the contractor shall always have in readiness on site approved framed sheeting or tarpaulins for protection of newly placed concrete. Under water concreting shall be permitted only with the approval of construction manager. Concrete placed under water may be lowered in bottom opening skips or may be fed continuously through an approved tremie pipe. Unless otherwise agreed with the construction manager, the cement content of any concrete mix to be placed under water shall be increased by 20%.

10.0 SAMPLING AND STRENGTH OF CONCRETE

Samples from fresh concrete which is to be used in the works shall be taken as per IS 1199 and cubes shall be made, cured and tested at 28 days in accordance with IS 516.

TECHNICAL SPECIFICATION FOR STRUCTURAL CONCRETE	Doc No.	Rev	
	GAIL-STD-CV-DOC-TS-005	0	
	Page 16 of 21		

Facilities required for testing materials and concrete in the field such as testing machine with an operator shall be made available at the Engineer's request.

Frequency of sampling and acceptance criteria for strength tests shall be as per clauses 15 and 16 of IS 456. Concrete test cubes may be cured by accelerated methods as described in IS 9013. Cubes may also be optionally tested at 7 days or at the time of striking the formwork. However, in all cases, the 28 days compressive strength specified in IS 456 shall be the criterion for acceptance or rejection of the concrete.

For pre casting work additional cubes shall be taken and tested at 3 days or prior to lifting. Higher rate of sampling will be required at the beginning of the Construction period in order to establish the level of quality control or where there are critical elements. All samples shall be clearly marked with their identification and accurate records shall be maintained.

The concrete will be deemed to comply with the specified design strength provided the acceptance criteria in IS 456 are met.

If any test results fail to comply with the above then the quantity of concrete represented by the results shall be at risk, and may be required to be removed and replaced. The 28 days cube crushing results shall be grouped consecutively in different groups and each group shall have standard deviation as specified IS 456

If the standard deviation is greater than this, the concrete production shall be reviewed. 7-Day Tests (In situ Concrete)

- Tests shall be carried out at 7 days to establish a relationship between the 7-day and 28 day strengths. The relationship shall be used to interpret further test results in order to predict the probable value of the corresponding 28-day strengths.
- Notice shall be given without delay of any 7 day test results which indicates that the corresponding 28 day test results are likely to fail to meet the specified strength, so that necessary action can be taken to minimize the effect of such possible failure.
- 3 Day Tests (Pre-cast Concrete)
- For pre-cast concrete tests shall be carried out at 3 and 7 days to establish the relationship with the 28 day results.

There shall be no production tests on blinding concrete.

11.0 INSPECTION


All materials, workmanship and finished construction shall be subject to the continuous inspection and approval of the Engineer. All materials supplied by the Contractor and all construction performed by the Contractor, rejected as not in conformity with the specifications and drawings shall be immediately replaced by the contractor at no cost to the Owner.

12.0 CLEAN UP

Upon the completion of concrete work, all debris, scraps of wood, etc., resulting from the work shall be removed and the premises left clean.

13.0 WORKABILITY

The concrete mix shall be designed by varying the relative proportion of fine and coarse aggregates to ensure adequate workability for working it into corners and angles of the

TECHNICAL SPECIFICATION FOR STRUCTURAL CONCRETE	Doc No.	Rev	
	GAIL-STD-CV-DOC-TS-005	0	
	Page 17 of 21		

formwork and around the reinforcement without segregation of the materials or bleeding of the free water at the surface. On striking the formwork, the concrete shall present a face, which is uniform, free from honeycombing, surface crazing or excessive dusting. To confirm the workability of the designed mix for each grade of concrete, a series of workability tests shall be carried out on the preliminary trial mixes, unless acceptable data exists.

14.0 INITIAL SETTING TIME

The initial setting time shall be not less than ½ hour after the production concrete is discharged into the forms and with a maximum time between mixing and completion of placing concrete shall not exceed 1 hour. The total time between mixing and initial set shall be a minimum of 1 hour. There shall be a maximum setting time of 6 hours.

When trial mixes are made to determine the workability of the concrete, the initial setting time of the cement paste shall be determined as per IS 8142.

15.0 SLUMP

The slump of the structural concrete mixes shall be such that the concrete can be transported, placed into the forms, and compacted without segregation. Slump for pumpable concrete shall be determined by site trials and shall at least be 100 mm on site of pouring.

16.0 PRECAST CONCRETE

The requirements of this Specification relating to concrete and reinforcement shall be observed so far as they are applicable to reinforced concrete. In addition the following requirements specifically relating to pre-cast work should be met.

RECASTING YARD

The yard in which pre casting work is to be undertaken shall be cleaned and have firm level beds preferably of concrete with drainage channels between the beds. The beds shall have a surface of suitable quality to give the pre-cast units the required class of finish.

Where pre-cast units have projecting reinforcement the moulds shall, if necessary, be raised on stools above the general level of the pre casting yard.

MOULDS FOR PRE-CAST CONCRETE


The moulds shall be strongly constructed, closely jointed and true to the required shape with edges, corners and surfaces which comply with the relevant class of finish. Moulds are to be so designed that they can be readily taken apart and reassembled.

MARKING

All units shall be marked on the face which will not be exposed in the permanent works, with the date of manufacture and such distinguishing letters or numbers required for erection identification.

CURING, MATURING AND STACKING

The production schedules shall allow for proper curing and maturing of pre-cast concrete and shall be carried out as approved. The sides of the moulds may be removed after not less than

TECHNICAL SPECIFICATION FOR STRUCTURAL CONCRETE	Doc No.	Rev	
	GAIL-STD-CV-DOC-TS-005	0	
	Page 18 of 21		

12 hours provided that the concrete has thoroughly set. All concrete surfaces shall be kept covered with thoroughly wetted hessian for at least 7 days.

Slinging, transporting and stacking may take place when designed handling stresses have been attained, but building or setting in the works shall not be permitted until the 28 days cube strength has been reached.

The time periods required for gain of strength of concrete may be reduced where approved special techniques are adopted such as vacuum or pressed concrete, steam curing or when a rapid hardening cement is used. No methods of accelerated curing shall be used without prior approval.

CEMENT/SAND MORTAR

Cement/sand mortar for bedding and jointing pre-cast members shall be of equivalent strength, quality and color to that of the concrete member being bedded or jointed. Cement/sand mortar shall be mixed in small quantities and used immediately. Particular attention shall be paid to compacting the cement/sand mortar to prevent the formation of voids and air pockets. The mortar mix shall be determined from tests following the recommendations of Indian Standard, alternatively grouting may be considered.

SURFACES FOR STRUCTURAL CONNECTIONS (MARINE STRUCTURES)

The surfaces of pre-cast concrete slabs and other units, which are to be in contact with in situ concrete, shall be prepared to achieve a good bond between the concrete unit and the adjoining concrete. The CONTRACTOR shall submit to the Owner/Owner's Representative his proposals for preparation of a suitable surface.

17.0 GROUTING

Where equipment manufacturer's drawings define a grouting procedure, said procedure shall be followed, subject to the approval of Owner/Owner's Representative. All recommendation and instructions of the grout manufacturer shall be followed by contractor. No grout shall be placed when the outside temperature is below 5 °C unless special approval provisions are made against freezing. The minimum compressive strength of grout shall be at least equal to the parent concrete.

MATERIAL


Sand cement dry pack shall be proportioned at the site, but all non-shrink grouts shall consist of only pre-measured, pre-packaged material supplied by the grout manufacturer, except water. Water to be used for mixing Portland cement grout shall be clean, potable and free from all deleterious materials such as oils, acids, alkalis and organic materials.

GROUT TYPES

SAND CEMENT DRY PACK AND ORDINARY MORTAR GROUT

Cement shall be Portland cement and shall conform to the requirements of IS 269. Sand shall be mixed at two to one ratio by weight with the cement with a ramming consistency and shall have a minimum compressive strength of 15 N/mm² at 7 days.

NON-SHRINK CEMENT BASED GROUT

TECHNICAL SPECIFICATION FOR STRUCTURAL CONCRETE	Doc No.	Rev	
	GAIL-STD-CV-DOC-TS-005	0	
	Page 19 of 21		

Non-shrink cement based grout must have a full range of consistencies, including dry pack, plastic and flowable state to be suitable for used in a variety of applications. Grout should be capable of being pumped flowable without segregation. Vibration only when expressly stated by manufacturer. Grout working time shall be minimum of 60 minutes regardless of application consistency used. The grout shall contain no metallic substances (catalyzed or non catalyzed), aluminum powder, water reducing agents, fluidizers, accelerators, super plasticizers, or other materials known to increase drying shrinkage and/ or compromise long term durability. Non-shrink cement based grout shall have a minimum compressive strength of 50 N/mm² at 7 days.

NON-SHRINK EPOXY GROUT

Grout shall be 100 % solids system with the ability to be placed in flowable state. Non-shrink epoxy shall have a minimum allowable compressive strength of 60 N/mm² at 7 days.

GROUT TYPE SELECTION

When the application is an unobstructed bearing plate or void which is not subject to impact or vibrations and allows the easy placement of grout without undue man-hour expenditure, used a sand cement dry pack or an ordinary mortar grout.

If one of the criteria cited above is not met (i.e. obstructed bearing plate or void or subject to impact or vibration) then use a pre-packaged, pre-measured, non-shrink, cement based grout.

STORAGE

Non-shrink cement based grout and epoxy grout aggregates shall be prepared by contractor in sound, dry bags and epoxy grout liquid components in sealed hardener and resin containers. Contractor shall be responsible for storing the grout in a dry, weatherproof area and within a temperature range of 4 °C to 32 °C.

Any material which becomes damp or otherwise defective shall be immediately removed from the site by contractor at his own expense.

SURFACE PREPARATION


All surfaces to be grouted shall be entirely free of oil, grease, dirt, wax, laitance, curing compounds and other foreign substances that may interfere with complete bearing or bonding. When removing laitance, a hand held pneumatic chipping hammer shall be of the largest tool, contractor shall take the utmost care to prevent any possible structural damage that could be caused by improperly or negligently removing the laitance.

When any cement based grouts are used, concrete surfaces shall be saturated with water for 24 hours prior to grout placement. Excess water shall be removed just prior to grouting.

When epoxy grouts are used, all surfaces shall be made completely dry prior to grouting.

LEVELLING AND ALIGNMENT

Prior to commencing grouting equipment bases, column bases or anchor bolts, leveling and alignment shall be performed to place and maintain said items in their final position during grouting. A minimum grout space of 25 mm shall be provided unless specified otherwise on the drawing. All metal surfaces which are to be in direct contact with the grout shall be thoroughly cleaned and made free of all grease, oil, dirt, wax or other foreign substance.

TECHNICAL SPECIFICATION FOR STRUCTURAL CONCRETE	Doc No.	Rev	
	GAIL-STD-CV-DOC-TS-005	0	
	Page 20 of 21		

Leveling shims shall be removed when they would prevent uniform bearing under the base support such as tower bases rings. Removal of the shim shall be delayed long enough to ensure against disturbing the grout. Voids where shims have been removed shall be completely packed with grout before finishing.

MIXING


Grout types shall be mixed according to manufacturer's recommended procedures. Epoxy grout component ratio shall not be changed from that recommended by the manufacturers. No solvent or thinners shall be added to the mix. The amount of water added to a non-shrink cement based grout will determine its consistency. The lowest water/ grout ratio need to get the grout in place should be used.

PLACEMENT

Grout placement shall proceed in a manner that assures the filling of all voids and the intimate contact of grouting materials with surfaces to be grouted. The placement of grout shall be rapid and continuous so as to avoid cold joints under any base plate. All grouting shall be done in one direction only, placing grout on one side and working it to the other. Placement will be such as to provide full and uniform bearing under all foundation bearing surfaces. All exposed grout shall be provided with a 25 mm, chamfer, unless otherwise directed by purchaser's Owner/Owner's Representative.

CURING

Grout shall be cured according to manufacturer's recommendations. Forms shall remain in place with a minimum of 24 hours regardless of whether grout is cement based or epoxy. Cement based grout shall be protected from extreme drying conditions. Epoxy grout shall not be wet cured. The temperature of the base plate, concrete foundations and grout shall be maintained between 4°C and 32 °C during grouting and for a minimum of 24 hours thereafter.

TECHNICAL SPECIFICATION FOR STRUCTURAL CONCRETE	Doc No.	Rev	
	GAIL-STD-CV-DOC-TS-005	0	
	Page 21 of 21		



GAIL INDIA LIMITED

TECHNICAL SPECIFICATION FOR BRICK MASONRY WORK


GAIL-STD-CV-DOC-TS-006

Rev	Date	Purpose	Prepared By	Checked By	Approved By
0	21.01.19	ISSUED FOR BID	SS	UN	SKK



CONTENTS

1.0	INTRODUCTION.....	3
2.0	MATERIALS	3
3.0	SAMPLES AND INSPECTION	3
4.0	SELECTION OF MORTARS	4
5.0	STORAGE AND HANDLING.....	4
6.0	SOAKING & CLEANING	4
7.0	LAYING.....	4
8.0	PROTECTION.....	6
9.0	CURING	6
10.0	SCAFFOLDING	6

TECHNICAL SPECIFICATION FOR BRICK MASONRY WORK	Doc No.	Rev	
	GAIL-STD-CV-DOC-TS-006	0	
	Page 2 of 6		

1.0 INTRODUCTION

This specification deals with masonry and allied works in foundation, plinth and superstructure.

2.0 MATERIALS

Bricks for masonry in foundations, walls and other locations shall be common burnt clay building bricks having minimum crushing strength of 7.5 N/sq.mm. or such other strength as may be described in the Schedule of Items, when tested in accordance with IS : 1077-1992 "Common Burnt Clay Building Bricks". They shall be sound, hard and thoroughly well burnt, with uniform size having rectangular faces with parallel sides and sharp straight right angled edges and be of uniform colour with fine compact uniform texture. Bricks shall be of uniform deep red cherry or copper colour. They shall be free from flaws, cracks and nodules of free lime. Water absorption after 24 hours immersion in cold water shall be not more than 20% by weight. They shall not absorb more than 10% by weight of water after immersion for six hours. They shall emit a clear metallic ringing sound when struck by a mallet and shall not break when dropped on their face, from a height of 60 cm.


Fractured surface shall show homogeneous, fine grained uniform texture, free from cracks, air holes, laminations, grits, lumps of lime, efflorescence or any other defect which may impair their strength, durability, appearance and usefulness for the purpose intended. Under burnt or vitrified bricks shall not be used.

Samples of bricks brought to the site shall be tested periodically for compression and other tests according to IS: 3495 (Parts-1 to 4) -1992 "Method of Test for Burnt Clay Building Bricks". Where the size of bricks is not specifically mentioned, it shall be taken to mean conventional sizes as is commonly available in the area. In case modular bricks are to be used, it shall be accordingly specified in Schedule of Items. The bricks shall be classified on the basis of average compressive strength as given in Table 1 of IS: 1077-1992.

Bricks shall be unloaded by hand and carefully stacked and all broken bricks shall be removed from the site.

3.0 SAMPLES AND INSPECTION

Representative samples shall be submitted by the contractor and approved samples retained by the Engineer for comparison and future reference. Bricks shall be obtained from approved manufacturer. All bricks shall be subject to inspection on the site and shall be to the approval of the Engineer who may reject such consignment as are considered by him to be inferior to the quality specified. The Contractor shall provide all labour required for inspection and conduct such test as shall be required by the Engineer without additional charges.

TECHNICAL SPECIFICATION FOR BRICK MASONRY WORK	Doc No.	Rev	
	GAIL-STD-CV-DOC-TS-006	0	
Page 3 of 6			

4.0 SELECTION OF MORTARS

Mortar for masonry shall conform generally to IS: 2250-1981 "Code of Practice for Preparation and Use of Masonry Mortars", and proportion shall be as specified in the drawing or in the Schedule of Items.

Cement mortar shall be prepared by mixing cement and sand in specified proportion. It is convenient to take unit of measurement for cement as a bag of cement weighing 50 Kg equivalent to 0.035 cubic meters. Sand is measured in boxes of suitable size (say of 40 x 35 x 25 cm). It shall be measured on the basis of dry volume. In case of damp sand, the quantity shall be increased suitably to allow for bulkage in accordance with IS:2386-1963 (part-III) or by any approved method.

The mixing of the mortar shall be done preferably in a mechanical mixer. This condition may be relaxed by the engineer taking into account the nature, magnitude and location of the work. If mixed in the mixer, cement and sand in the specified proportion shall be fed in the mixer and mixed dry thoroughly, water shall be then added gradually and wet mixing continued for at least 3 minutes. In case of hand mixing also after mixing dry on a water-tight masonry platform, water shall be added and the mortar turned over and over, backward and forward several times.

Fresh mixed mortar, in case becoming stiff due to evaporation of water may be re-tempered by adding water as frequently as needed to restore the requirement of the consistency but this shall be permitted only upto a maximum of 2 hours from the time of addition of cement in the mortar.

5.0 STORAGE AND HANDLING


Bricks shall not be dumped at site. They shall be carefully handled and carefully stacked in regular tiers to avoid breakage and defacement of bricks and prevent contamination by mud or other materials. Bricks selected for different situations of work shall be stacked separately.

6.0 SOAKING & CLEANING

Bricks required for masonry shall be cleaned to be free from dirt, dust and sand and fully soaked in clean water by submerging in vats before use, till air bubbling ceases. The bricks shall not be too wet at the time of use. After soaking they shall be removed from the tank sufficiently early so that at the time of laying they are skin dry and stacked on a clean space.

7.0 LAYING

Brickwork in general shall be as per IS 2212-1991. Bricks shall be laid in English bond, unless otherwise specified, with frogs upward over a full bed of evenly laid mortar, and slightly pressed and tapped into final position to the lines levels and shape as shown in the drawing fully embedded in mortar. All joints including inside faces shall be flushed and packed. Not more than 8 courses shall generally be laid in a day. The first course itself shall be made horizontal by providing enough mortar in the bed joint to fill up any undulations. The horizontality of courses and the verticality of wall shall be checked very often with spirit level and plumb bob respectively.

TECHNICAL SPECIFICATION FOR BRICK MASONRY WORK	Doc No.	Rev	
	GAIL-STD-CV-DOC-TS-006	0	
Page 4 of 6			

Horizontal joints shall be truly horizontal and vertical joints shall line up in every alternate course. The joints shall not exceed 10 mm in thickness and shall be well finished and neatly struck. The joints shall be kept uniform throughout the brick work. All the brick joints of the face works shall be neatly raked out to a minimum depth of 15 mm with the help of raking tools and the faces of brick wall cleaned with wire brush to remove any splashes of mortar before the close of the day's work, while the mortar is still green and the last brick layer shall be cleaned with wire brush and the frogs free from mortar.

Walls coming in contact with R.C.C. structures shall perfectly be bonded with M.S. inserts or lugs where shown on drawings and the sides butting against the R.C.C structures neatly and efficiently flashed and packed with rich mortar & cement slurry at no extra cost. Where such lugs are not required to be provided, brick work shall be built tightly against columns, slabs or other structural parts, around door and window frames with proper distance to permit caulked joint. Where drawings indicate structural steel column or beam to be partly or wholly covered with brick work, bricks shall be built closely against all flanges and webs, with all spaces between steel and brick work filled solid with mortar not less than 10 mm thick.

Damaged or broken brick or brick bats shall not be used in brick work. Cut bricks may be used to complete bond or as closers or around irregular openings.

Bricks shall not be thrown from heights to the ground, but shall be handled carefully and put gently in position to avoid damaging the edges. Selected bricks of regular shape and dimension shall be used for face work.

Making of grooves, sleeves and chases shall be done, during the construction, to the lines, levels and position as shown in the drawing or as instructed by the Engineer. Such sleeves shall slope outward in external walls so that their surface cannot form channels for the easy passage of water inside.


Fixtures, plugs, frames, pipes, inserts etc., if any, shall be built in at the right places to the lines & levels as shown in the drawings while laying the course and not later by disturbing the brick work already laid.

Brick walls of one brick thick or less shall have one selected face in true plane and walls more than one brick thick shall have both the faces of wall in true plane.

All connected brick work shall be carried out simultaneously with uniform heights throughout the work, and in exceptional cases, with the approval of the Engineer, the brick work built in any part of the work may be lower than another adjoining wall/connected wall by a maximum of one meter and the difference in height of adjoining wall/connecting wall shall be raked back according to bond by stepping at an angle not steeper than 45 degree, without sacrificing the necessary bond, horizontality of layers, verticality of joints and the wall.

8.0 PROTECTION OF BRICK WORK

The brick wall shall be protected and covered with gunny bags or water proof sheets from the effects of inclement weather, rain, frost, etc. during the construction and until the mortar sets. Care shall be taken during construction that the edges of jambs, sills and soffits of openings are not damaged.

TECHNICAL SPECIFICATION FOR BRICK MASONRY WORK	Doc No.	Rev	
	GAIL-STD-CV-DOC-TS-006	0	
Page 5 of 6			

9.0 CURING

Masonry in cement or composite mortar shall be kept continuously moist on all faces for a minimum period of 7 days by means approved by the Engineer.


10.0 SCAFFOLDING

Necessary and suitable scaffolding shall be provided at all heights to facilitate the construction of brick wall. Scaffolding shall be sound, strong and all supports and other members shall be sufficiently strong and rigid, stiffened with necessary bracings and shall be firmly connected to the walls securing them against swing or sway. Planks shall be laid over the scaffolding at required levels. Scaffolding shall preferably be of tubular steel, although the Engineer may permit other material, depending upon the circumstances.

Scaffolding shall be double, having two sets of vertical supports, particularly for the face wall and all exposed brick work. Single scaffolding may be used for buildings upto two storeys high or at other locations, if permitted by the Engineer. In such case the inner ends of horizontal members shall rest in holes provided in header course only. Such holes shall not be allowed in pillars under one meter in width, or immediately near the skew backs or arches. The holes thus left in masonry shall be filled with bricks set in rich mortar and the surface made good on removal of scaffolding.

If for any reason the Contractor is required to erect scaffolding in property other than that belonging to the Owner, including municipal corporation or local bodies, necessary permission shall be obtained by the Contractor from the appropriate authorities and necessary licensing fees if any shall have to be borne by him.

All scaffoldings once erected shall be allowed to remain in position, efficiently maintained by the Contractor, till all the finishing works required to be done are completed and shall not be removed without the approval of the Engineer. The Contractor shall allow workmen of other trades to make reasonable use of the scaffolding without any extra cost.

TECHNICAL SPECIFICATION FOR BRICK MASONRY WORK	Doc No.	Rev	
	GAIL-STD-CV-DOC-TS-006	0	
Page 6 of 6			



GAIL INDIA LIMITED

**TECHNICAL SPECIFICATION
FOR
PLASTERING & POINTING**

GAIL-STD-CV-DOC-TS-007

0	22.01.19	ISSUED FOR BID	SS	UN	SKK	
Rev	Date	Purpose	Prepared By	Checked By	Approved By	

TABLE OF CONTENTS

1.0	INTRODUCTION.....	3
2.0	MATERIALS.....	3
3.0	WORKMANSHIP.....	4
4.0	APPLICATION OF PLASTER.....	5
5.0	POINTING.....	5

1.0 INTRODUCTION

This specification covers the material and workmanship requirements for the Plastering works as applicable.

2.0 MATERIALS

CEMENT

Ordinary Portland cement / Portland slag cement complying with the requirements of IS: 269-1989 and I.S. 455-1989 respectively shall be used.

SAND

Sand for plaster and pointing shall conform to IS: 1542. Sand shall be hard, durable, clean and free from adherent coatings and organic matter and shall not contain any appreciable amount of silt, day bails or pellets. Sand shall not contain harmful impurities such as iron pyrites, coal particles, lignite, mica shale etc.

Sand whose grading falls outside the limits of IS: 460 due to excess or deficiency of coarse or fine particles shall be processed to comply with the standards.

Fine sand shall be obtained from river beds not affected by tidal water of the sea and shall be clean, sharp and free from excessive deleterious matter. The sand shall not contain more than 8 per cent of mud and silt as determined by field test with a measuring cylinder.

WATER


Water used for mixing concrete and mortar and for curing shall be clean and free from injurious amounts of oil, acid, alkali, salts, sugar, organic materials or other substances that may be deleterious. The pH value of water shall generally be not less than '6'. Water has to meet the requirements mentioned in clause 4.3 of IS: 456-2000. Water shall be obtained from an approved source.

CEMENT MORTAR

Cement mortar shall be prepared by mixing cement and sand in specified proportion. It is convenient to take unit of measurement for cement as a bag of cement weighing 50 Kg equivalent to 0.035 cubic meters. Sand is measured in boxes of suitable size (say of 40 x 35 x 25 cm). It shall be measured on the basis of dry volume. In case of damp sand, the quantity shall be increased suitably to allow for bulkage in accordance with IS:2386-1963 (part-III) or by any approved method.

The mixing of the mortar shall be done preferably in a mechanical mixer. This condition may be relaxed by the engineer taking into account the nature, magnitude and location of the work. If mixed in the mixer, cement and sand in the specified proportion shall be fed in the mixer and mixed dry thoroughly, water shall be then added gradually and wet mixing continued for at least 3 minutes. In case of hand mixing also after mixing dry on a water-tight masonry platform, water shall be added and the mortar turned over and over, backward and forward several times.

Fresh mixed mortar, in case becoming stiff due to evaporation of water may be re-tempered by adding water as frequently as needed to restore the requirement of the consistency but this shall be permitted only up to a maximum of 2 hours from the time of addition of cement in the mortar.

TECHNICAL SPECIFICATION FOR PLASTERING & POINTING	Doc No.	Rev	 785 of 1517
	GAIL-STD-CV-DOC-TS-007	0	
	Page 3 of 6		

CEMENT MORTAR WITH WATERPROOFING COMPOUND

Waterproof compound shall conform to IS: 2645 of approved make. The compound shall be well mixed with dry cement in the proportion of 3% by weight or as recommended by manufacturer.

3.0 WORKMANSHIP**PREPARATION OF BACKGROUND SURFACE**

The surface shall be cleaned of all dust, loose mortar droppings, traces of algae, efflorescence and other foreign matter by water or by brushing. Smooth surfaces shall be roughened by wire brushing or hacking for non-hard and hard surfaces respectively. Projections on surfaces shall be trimmed wherever necessary to get even surfaces. In case of brick/stone masonry, raking of joints shall be carried out wherever necessary. The masonry shall be allowed to dry out for sufficient period before carrying out the plaster work. The masonry shall not be soaked but only damped evenly thereafter before applying the plaster.

In case of concrete work, projecting blurs of mortar formed due to the gaps of joints in shuttering shall be removed. Such surface shall be scrubbed clean with wire brushes. The surface shall be pock marked with a pointed tool at spacing of not more than 50 mm centers, the pocks being made not less than 3 mm deep to ensure a proper key for the plaster. The surface shall be washed off and cleaned of all oil, grease etc. and well wetted before the plaster is applied.

SEQUENCE OF OPERATIONS

For external plaster, the plastering operations shall be started from the top floor level and carried downwards. For internal plaster, the plastering may be started wherever the building frame, roofing and brick work are ready.

The surfaces to be plastered shall first be prepared as described in 'Preparation of background surface. The first layer shall then be applied to ceilings. After the ceiling plaster is complete and scaffolding for the same removed, plastering on wall shall be started. After a suitable time interval as detailed under various types of plaster in subsequent paras, depending upon the type of mortar, the secondary layers if required shall be applied. After a further suitable time interval as detailed under various type of plaster in subsequent paras, the finishing coat shall be applied first to the ceiling and then to the walls.


Plastering of cornices, decorative features, etc. shall be completed before the finishing coat is applied. Unless otherwise specified corners and edges shall be rounded off to a radius of 25 mm, such rounding off shall be complete along with the finishing coat to prevent any joint marks showing out later.

SCAFFOLDING

Refer specification for structural concrete

DAMAGE RECTIFICATION

Any cracks, damages, any part of work which sound hollow when tapped or found damaged or defective otherwise shall be cut out in rectangular shape and redone as directed by Owner/Owner's Representative.

TECHNICAL SPECIFICATION FOR PLASTERING & POINTING	Doc No.	Rev	 786 of 1517
	GAIL-STD-CV-DOC-TS-007	0	
	Page 4 of 6		

4.0 APPLICATION OF PLASTER

ONE LAYER PLASTER WORK

To ensure even, specified thickness, plaster of 150 mm x 150 mm shall be first applied horizontally and vertically at not more than 2 meter interval over the entire surface to serve as gauges. The surface of these gauged areas shall be truly in the plane of the finished plaster surface. The mortar shall be brought to true surface by working with a wooden straight edge reaching across the gauges with small upward and sideways movements at a time. Finally the surface shall be finished off true with a trowel or wooden float to obtain a smooth texture. Excessive trowelling or overworking the float shall be avoided. All corners, arises, angles and junctions shall be truly vertical/horizontal and shall be carefully finished. Rounding or chamfering of corners, arises, junctions etc. shall be carried out with proper templates to the size required.

In suspending the work, the plaster shall be left, cut clean to line, both horizontally and vertically. When recommencing the plastering the edge of the old work shall be scrapped clean and wetted before plastering the adjoining area. Plastering work shall be closed on the border of the wall and nearer than 150 mm to any corners or arises and shall not be closed on the body of the features such as plaster bands, cornices nor at the corners or arises.

TWO LAYER PLASTER WORK

FIRST OR UNDER LAYER

The first or under layer of the specified thickness shall be applied as described above or mentioned in drawing. Before the first coat hardens, surface of it shall be beaten up by edges of wooden tapers and close dents shall be made on the surface. The subsequent coat shall be applied after this coat has been allowed to set for 3 to 5 days depending upon weather conditions. The surface shall not be allowed to dry during this period.

SECOND OR FINISHING LAYER

The second layer shall be complete to the specified thickness in the same manner as for first layer.

CURING

Curing shall be started 24 hours after finishing the plaster. The plaster shall be kept wet for a period of 7 days. During this period the plaster shall be suitably protected from all damages at the Contractor's expense by such means as approved by the Owner/Owner's Representative. The date of execution of plastering shall be marked on the plastering to ensure the proper duration of curing.


5.0 POINTING

Pointing shall be of the type specified such as flush, cut or weather struck, raised and cut etc.

PREPARATION OF BASE SURFACE

The joints shall be raked to such a depth that the minimum depth of the new mortar measured from either the sunk surface of the finished pointing or from the edge of the brick shall be less than 20 mm.

MORTAR

TECHNICAL SPECIFICATION FOR PLASTERING & POINTING	Doc No.	Rev	 787 of 1517
	GAIL-STD-CV-DOC-TS-007	0	
	Page 5 of 6		

Mortar shall be in accordance with the specifications of cement mortar as described above.

APPLICATION OF MORTAR AND FINISHING

The mortar shall be pressed into the raked out joints with a pointing trowel according to the type of pointing specified. The mortar shall be spread over the corner edges or surfaces of the masonry. The pointing shall then be finished with the pointed tool. The superfluous mortar shall be cut off from the edges.

FLUSH POINTING

The mortar shall be pressed into joints and shall be finished off flush and leveled. The edges shall be neatly trimmed with trowel and straight edges.

CUT OR WEATHER STRUCK POINTING

The mortar shall first be pressed into joints. The top of the horizontal joints shall then be neatly pressed back by about 15 mm with the pointing tool so that the joint is sloping from top to bottom. The vertical joint shall also be similarly pointed. The junctions of vertical joints with the horizontal joints shall be at true right angles in case of brick and coursed rubble masonry.

RAISED AND CUT POINTING

This type of pointing shall project from the wall facing with its edges cut parallel so as to have a uniformly raised band about 6 mm and width 10 mm more as directed. The pointing shall be finished to a smooth but hard surface.



GAIL INDIA LIMITED

TECHNICAL SPECIFICATION FOR STRUCTURAL STEEL WORKS

GAIL-STD-CV-DOC-TS-008

0	22.01.19	ISSUED FOR BID	SS	UN	SKK	
Rev	Date	Purpose	Prepared By	Checked By	Approved By	

CONTENTS

1.0	INTRODUCTION.....	3
2.0	MATERIALS	3
3.0	CONNECTION DESIGN AND FABRICATION DRAWINGS	4
4.0	FABRICATION	4
5.0	ERECTION	6
6.0	INSPECTION	10
7.0	STORAGE AND HANDLING	10
8.0	PAINTING	10

1.0 INTRODUCTION

This Specification defines the requirements for the supply, fabrication and erection of structural steel work, design of connections and preparation of fabrication drawings for buildings, plant and equipment supports, stairways, access platforms, steel flooring, ladders and the like. This Specification does not include the requirements of protective treatment like painting, fireproofing, jetty and other marine structures.

2.0 MATERIALS

All materials used in the Works shall be new, first quality steel of Indian manufacture free from laminations, seams, blisters and other harmful defects and shall comply with the appropriate Indian Standards.

Manufacturer or Laboratory test certificates in accordance with the requirements of the relevant Indian Standards shall be supplied to the Engineer-In-Charge in respect of all materials to be used in the Works, prior to commencement of fabrication.

STRUCTURAL STEEL

Unless specified otherwise, structural steel used in the Works shall comply with the requirements of IS 2062 and be of Grade Fe 410WB specified therein. Hot rolled sections shall be Indian Standard Sections in accordance with IS 808. The thickness tolerance for plates and flats shall be as specified in IS 1852. The deviation over or under the nominal thickness shall be equal to half the total thickness tolerance. Steel shall be marked in accordance with IS 2062. Members in steel grades other than Grade A shall have additional marks of a form and in positions to be agreed with the Engineer-In-Charge. When design drawing do not specify grade of steel intended for connections and fittings, IS 2062 Grade Fe 410 WB or BS EN 10025 Grade 430 B shall be used. Steel for cold rolled sections shall be as per IS 801. Hollow rectangular / square sections shall conform to IS 4923. Steel Tubes shall conform to IS 1161.

BOLTS, NUTS AND WASHERS

Bolts and nuts shall comply with IS 1363, IS 1367, IS 3757 and IS 6639 as appropriate. Nuts shall be of at least the strength grade appropriate to the grade of bolts or other threaded elements with which they are used.

Plain washers for use with ordinary bolts and nuts shall comply with IS 5369. Tapered washers shall comply with IS 5372 or IS 5374 as applicable.


High tensile bolts of strength grade 8.8 shall comply with requirements of IS 3757 or BS 3692. Dimensional requirements to comply with IS 3757. Bolt shall be of product grade C to IS 1367 part 2 and mechanical properties to IS 1367 part 3.

Nuts shall be heavy hex Grade 4 conforming to IS: 1363 Part 3 and 1367 Part 2 for ordinary strength bolts and heavy hex Grade 8 conforming to IS: 6623 for high tensile bolts.

All Bolts, Nuts and Washers shall be hot-dip galvanized in accordance with IS 1367 (part 13) or in accordance with BS 4921.

WELDING CONSUMABLES

Welding consumables, used for metal arc welding of steels complying with IS 2062, shall comply with IS 814. Welding consumables and procedures shall be such that the mechanical properties of deposited weld metal are not less than the respective minimum values for the parent metal being welded.

TECHNICAL SPECIFICATION FOR STRUCTURAL STEEL WORKS	Doc No.	Rev	 791 of 1517
	GAIL-STD-CV-DOC-TS-008	0	
	Page 3 of 10		

STEEL GRATING AND STAIR TREADS

Steel grating and stair treads shall be open grid rectangular pattern complying with Standard drawings.

3.0 CONNECTION DESIGN AND FABRICATION DRAWINGS

Before commencing of job, all related detailed engineering documents shall be approved. Structural steel work shall be designed in accordance with IS 800. The design of ladders, platforms, handrails, stairways and the like shall be in accordance with Standard Drawings.

DESIGN DETAILS

Connections made in the shop shall be either bolted or welded. Connections made on site shall generally be bolted. Welded site connections shall be permitted only when specified on design drawings or with prior permission of the Engineer-In-Charge. Bolted connections shall contain a minimum of two bolts each. Bolts smaller than M16 shall not be used without prior approval of the Engineer-In-Charge. Tapered washers shall be used for bolts passing through tapered sections.

The thickness of gusset plates and welded end plates shall be not less than 8 mm. Connections shall not generally project above the level of the top of steel work. In the case of pipe racks the top of steel work shall be free from projections within the width of the rack.

All grating floor panels shall be fixed to supporting steel work by means of positive non-slip flooring grips and all panels shall be side-bolted together with two 6 mm diameter galvanised bolts per side.

The design drawing shall show the position on the structure where temporary bracing or restraints are to be provided until walls / floors and other non steel structures are built.

4.0 FABRICATION

Fabrication shall be carried out in accordance with the requirements of IS 800. Fabricated structural steel work shall be within the tolerances specified in IS 7215. The radius of re-entrant flame cuts shall be as large as possible but not less than 20mm, except in small members where this is impracticable.

Ends of columns shall generally be gas flame cut and ground where steelwork fabrication is carried out on site. For critical and highly stressed structures fabricated in off-site workshops, ends of columns shall be sawn square and base plate surface machined prior to welding, as called for on the design drawings. Joint assembly of column and base plate shall be jugged.


Frames, platforms, stairs and handrails shall be shop assembled in the largest units suitable for handling and transportation. All fabricated frames shall be suitably braced to prevent distortion during transit.

Where fillet welds to very thick column base plates are called for on the design drawings, preheating of the plate may be required to retard cooling rate and reduce shrinkage stresses and shall be incorporated in the welding procedures.

IDENTIFICATION

At all stages of fabrication, structural steel members shall be positively identified by a suitable marking scheme.

For the purposes of marking for erection, every part shall be marked with a durable and distinguishing mark in such a way as not to damage the material. For small members which are delivered in bundles or crates, the required marking shall be done on small metal tags securely tied to the bundle.

TECHNICAL SPECIFICATION FOR STRUCTURAL STEEL WORKS	Doc No.	Rev	 792 of 1517
	GAIL-STD-CV-DOC-TS-008	0	
	Page 4 of 10		

STRAIGHTENING

All materials shall be straight and, if necessary before being worked shall be straightened and/or flattened (unless required to be of curvilinear form) and shall be free from twists.

Rolled Sections and plates shall be clean, free from kinks, bends or twists, and straight within the tolerances allowed by IS 1852 "Specification for Rolling and Cutting Tolerances for Hot Rolled Steel Products".

Where straightening is necessary, it may be carried out by mechanical means or by the application of a limited amount of localized heat. The temperature of heated areas, measured by methods approved by the Engineer-In-Charge shall not exceed 600°C

Rolled sections and plates with major defects shall be returned to Supplier for replacement.

CLEARANCES

The erection clearance for ends of members with web cleats or end plates shall be not greater than 2 mm at each end. The erection clearance at ends of beams without web cleats and end plates shall be not more than 3 mm at each end but where for practical reasons, greater clearance is necessary, suitably designed seating approved by the Engineer-In-Charge shall be provided.

CUTTING

Prior to cutting, all members shall be properly marked showing the requisite cut length/width, connection provisions e.g. location and dimensions of holes, welds, cleats, etc. Marking for cutting shall be done judiciously so as to avoid wastages or joints as far as possible.

Cutting shall be by sawing, shearing, cropping or machine or hand flame cutting. Hand flame cutting shall be used only where it is impractical to use machine flame cutting and for notching, or for the completion of the formation of slotted holes. Electric metal arc cutting shall not be permitted.

Cut edges shall be true to profile and be free from major notches and sharp edges and shall be dressed immediately by grinding.

Where members are notched to fit other members the notches shall be as small as practicable and chamfered at re-entrant corners with a minimum radius of 6 mm.

HOLES


All holes for fasteners or pins shall be drilled except as permitted otherwise herein. All matching holes for fasteners or pins shall register with each other so that fasteners can be inserted freely through the assembled members in a direction at right angles to the faces in contact.

Holes for ordinary bolts of property class below 8.8 in light roof members or other light framing and in connecting angles and plates other than splices, may be punched full size through material not thicker than the diameter of the hole, provided that the punching does not unduly distort the material.

Slotted holes shall either be punched in one operation or formed by drilling two holes and completed by cutting, grinding or filing the surface smooth.

Burrs shall be removed from holes before assembly except that where holes are drilled in one operation through parts clamped together which would not otherwise be separated after drilling, they need not be separated to remove the burrs.

For bolts not exceeding 24 mm diameter, holes shall be not more than 1.5 mm greater in diameter than the bolt and for bolts over 24 mm diameter, holes shall be not more than 2 mm greater in diameter than the bolts, except in steel base plates and where otherwise specified on the Drawings.

TECHNICAL SPECIFICATION FOR STRUCTURAL STEEL WORKS	Doc No.	Rev	 793 of 1517
	GAIL-STD-CV-DOC-TS-008	0	
	Page 5 of 10		

All matching holes for fasteners or pins shall register with each other so that fasteners can be inserted without undue force through the assembled members in a direction at right angles to the faces in contact. Drifts may be used but holes shall not be distorted. All unused drilled holes shall be plugged by welding.

JOINTS IN COMPRESSION

Abutting surfaces dependent on contact for the transmission of load shall be within the specified tolerances.

SPLICING

Splicing of built up/compound/latticed sections shall be done in such a fashion that each component of the section is jointed in staggered manner.

Where no butt weld is used for splicing, the meeting ends of two pieces of joint/channel/built up section shall be ground flush for bearing on each other and suitable flange and web splice plates shall be designed and provided for the full strength of the flange/web of the section and bolts/welds designed accordingly.

Where full strength butt weld is used for splicing (after proper edge preparation of the web and flange plates) of members fabricated out of joist/channel/built up section, additional flange and web plates shall be provided over and above the full strength butt welds, to have 40% strength of the flange and web.

Where a cover plate is used over a joist/channel/section the splicing of the cover plate and channel/joist section shall be staggered by minimum 500 mm. Extra splice plate shall be used for the cover plate and joist/channel section.

5.0 ERECTION

Prior to erection, the Contractor shall carry out an inspection of the location and level of the prepared foundations and anchor bolts, and advise the Engineer-In-Charge of his findings.

Erection shall be carried out in accordance with the requirements of IS 800.

All components shall be erected within the specified tolerances and in such a manner so that they are not bent, twisted or otherwise damaged and the specified cambers are provided when required. Drifting to align holes shall not enlarge the holes or distort the metal. Holes which cannot be aligned without distortion shall be a cause for rejection unless enlargement by reaming is specifically approved by the Engineer-In-Charge. Holes shall not be made by gas cutting. Throughout the erection of the structure, the steel work shall be securely bolted or fastened in order to ensure that it can adequately withstand all loadings liable to be encountered during erection, including where necessary, those from erection plant and its operation. Any temporary bracing or temporary restraint shall be left in position until such time as erection is sufficiently advanced so as to allow its safe removal.

All connections for temporary bracings, members, etc. to be provided for erection purposes shall be so made that they do not weaken the permanent structure or impair serviceability.

No permanent bolting or welding shall take place until the steel work has been properly aligned and the erection has been approved by the Engineer-In-Charge.

Connected parts shall be firmly drawn together. If there is a gap remaining which may affect the integrity of the joint, the joint shall be remade after insertion of a suitable pack. Where parts cannot be brought together by drifting without distorting the steelwork, rectification may be made by reaming, provided the design of the connection will allow for larger diameter holes and bolts, and is approved by the design Engineer-In-Charge.

WELDING

Welding of structural steel shall be in accordance with IS 9595 and IS 816. For welded parts, all mating surfaces shall be sealed by welding against the ingress of moisture. Welding shall be carried out by suitably qualified welders who have satisfactorily completed the appropriate tests laid down in IS 7310. All welding shall be carried out under the direction of a competent Welding Technologist. The minimum size of fillet weld shall be 6 mm. The Contractor shall make necessary arrangement for providing sufficient number of welding sets of the required capacity, all consumables, cutting and grinding equipment with requisite accessories/auxiliaries, equipment and materials required for carrying out various tests such as dye penetration, magnetic particle, ultrasonic and the like. Adequate protection against rain and strong winds shall be provided to the welding personnel and the structural members during welding operation. Welding shall not be carried out in the absence of such protection. It shall be the responsibility of the Contractor to ensure that all welding is carried out in accordance with this specification and relevant IS Codes. The Contractor shall provide all the supervision to fulfill this requirement.

PREPARATION OF MEMBER FOR WELDING

EDGE PREPARATION

Edge preparation/leveling of the fusion faces for welding shall be done strictly in accordance with the dimensions shown in the drawings.

In case, the same are not indicated, edges shall be prepared (depending on the type of weld indicated in the drawing) in accordance with the details given in IS 9595. Leveling of fusion faces shall be approved by the Engineer. The tolerance on limits of gap, root face and included angle shall be as stipulated in IS 9595.

CLEANING

Welding edges and the adjacent areas of the members (extending up to 20 mm) shall be thoroughly cleaned of all oil, grease, scale and rust and made completely dry. Gaps between the members to be welded shall be kept free from all foreign matter.

PREHEATING

Preheating of members shall be carried out as per IS 9595 when the base metal temperature is below the requisite temperature for the welding process being used. Preheating shall be done in such a manner that the parts, on which the weld metal is being deposited, are above the specified minimum temperature for a distance of not less than 75 mm on each side of the weld line. The temperature shall be measured on the face opposite to that being heated. However, when there is access to only one face, the heat source shall be removed to allow the temperature equalization (1 minute for each 25 mm of plate thickness) before measuring the temperature.

GRINDING

Column splices and butt joints of struts and compression members (depending on contact for load transmission) shall be accurately ground and close-butt end over the whole section with a tolerance not exceeding 0.2 mm locally at any place. In column caps and bases, the ends of shafts together with the attached gussets, angles, channels etc. shall be accurately ground so that the parts connected butt over minimum 90% surface of contact. In case of connecting

angles or channels, care shall be taken so that these are fixed with such accuracy that they are not reduced in thickness by grinding by more than 2 mm. Ends of all bearing stiffeners shall be ground to fit tightly at both top and bottom. Similarly bottom of the knife edge supports along with the top surface of column brackets shall be accurately ground to provide effective bearing with a tolerance not exceeding 0.22 mm locally at any place.

Slab bases and caps shall be accurately ground over the bearing surfaces and shall have effective contact with the ends of stanchions. Bearing faces which are to be grouted need not be ground if such faces are true and parallel to the upper faces.

WELDING PROCESSES

Welding of various materials under this specification shall be carried out using one or more of the following processes.

- Manual Metal Arc Welding Process (MMAW)
- Submerged ARC Welding Process (SAW)
- Gas Metal Arc Welding Process (GMAW)
- Flux Cored Arc Welding Process (FCAW)

The welding procedure adopted and consumables used shall be specifically approved by the Engineer.

NON DESTRUCTIVE TESTING OF WELDS

Visual inspection shall be made in accordance with guidance given in IS 822 or BS 5289 after completion of all welding over the full length of the weld. All NDT shall be performed by personnel qualified to a recognized national or international standard (e.g. PCN, ASNT Level II, etc.) Magnetic particle inspection (MPI) shall be in accordance with the recommendations given in IS 5334 or BS 6072. Dye penetrant inspection (DPI) may be used in accordance with the recommendations given in IS 3658 or BS 6443. The test results shall be recorded and be available for inspection by the Engineer in charge. Where ultrasonic examination is required, it shall be made in accordance with IS 4260 or BS 3923 Part 1, level 2

BOLTING

Bolts of property class 4.6 shall generally be used for all connections including bracing and column splices. However, for connections resisting large moments and forces, bolts of property class 8.8 shall be used with the prior approval of the Engineer-In-Charge.

Where necessary the connected parts shall be firmly drawn together. Steel packing plates shall be provided where necessary to ensure that the total remaining gap between adjacent surfaces does not exceed 2 mm.

The length of bolt shall be such that at least one clear thread shows above the nut after tightening and at least one thread plus the thread run out is clear between the nut and the unthreaded shank of the bolt. The threaded length shall be clear of the joint mating surfaces.

Washers shall be provided under the element (nut or bolt head) turned during tightening.

Nuts used on connections subject to vibration shall be secured to prevent loosening. Self-locking nuts shall be used or else the nuts shall be secured by the use of locknuts or upsetting of the threads of the bolts after assembly and tightening.

Bolts, nuts and washers used to connect metal sprayed or galvanized steel work shall be spun galvanized.

Where slotted holes are provided for movement connections, the joint shall be free to move. Areas of steel which will form the mating faces of a high strength friction grip joint or are to be concrete cased shall be unpainted and maintained in a clean condition and free from loose rust, oil, loose scale and other deleterious matter.

High tensile bolts to IS 1367 property class 8.8 shall be tightened in accordance with the manufacturer's recommendations using a torque wrench which shall be calibrated at least once each working day.

The combination of bolts and nuts shall be not less than the following:

4.6 bolts with grade 4 nuts (IS-1363, IS-1367/BS 4190)

8.8 bolts with grade 8 nuts (IS-3757, IS-6623/BS 3692)

Any bolt assemblies which seize when being tightened shall be replaced.

Grade 4.6 and grade 8.8 bolts of the same diameter shall not be used in the same structure, except for holding down bolts.

The bolt length shall be chosen such that at least one thread plus the thread run-out will be clear between the nut and unthreaded shank of the bolt after tightening and at least one clear thread shall show above nut. When the members being connected have surface protective treatment, a washer shall be placed under the nut or bolt head being rotated. A suitable plate washer shall be used under the head and nut when bolts are used to assemble components with oversize or slotted holes.

When the bolt head or unit is in contact with a surface which is inclined at more than 30 from a plane at right angles to the bolt axis, a taper washer shall be placed to achieve satisfactory bearing.

Galvanized Nuts – Nuts shall be checked after being galvanized for free running on the bolt and re-tapped if necessary to ensure a satisfactory tightening performance.

Ordinarily bolts Grade 4.6 to IS1367 shall be tightened to a "snug tight" fit. "Snug tight" is defined as tightness attained by a few impacts of an impact wrench or the full effort of a man using an ordinary spud wrench.

High tensile bolts Grade 8.8 to IS 3757 shall be tightened to a torque of approximately 85% of the proof load of the bolt, by means of a power or hand operated torque wrench. Bolts shall be tightened to the torques given in the following table.

Bolt Diameter	Torque to be Applied (Nm) For Bolt Class 8.8 of IS 3757
M20	476
M24	822
M30	1630
M35	2850

PROTECTIVE TREATMENT

Steel shall be pre-treated and painted or galvanized. The protective treatment shall be carried out after fabrication is complete. No welding, holing or other work which may damage the protective treatment shall be carried out following painting.

EQUIPMENT

All equipment used in erection shall be provided by the Contractor, and shall be suitable for its purpose and of adequate capacity.

Equipment to be used shall include staging, ladders, and plant including temporary structures necessary to complete the erection.

ALIGNMENT

Each part of the structure shall be aligned as soon as practicable after it has been erected. Packs, shims and other supporting devices shall be flat, of adequate strength and rigidity and not larger than necessary. Where packings are to be left in position and subsequently grouted, they shall be placed such that they are totally enclosed by the grout.

CLEARANCE

The Contractor shall periodically clean up as required by the Engineer-In-Charge to maintain a safe working environment and on completion of the work remove all rubbish, plant and surplus materials from the site of work, storage areas, to the satisfaction of the Engineer-In-Charge.

SAFETY AND SECURITY DURING ERECTION

The Contractor shall comply with IS 7205 for necessary safety and adhere to safe erection practice and guard against hazardous as well as unsafe working conditions during all stages of erection.

During erection, the steel work shall be securely bolted or otherwise fastened and when necessary, temporarily braced/guyed to provide for all loads including those due to the wind, erection equipment and its operation to be carried by the structure till the completion of erection.

No permanent bolting or welding shall be done until proper alignment has been achieved. Proper accesses, platforms and safety arrangements shall be provided for working and inspection whenever required.

6.0 INSPECTION

Prior to inspection, all slag, loose scale, dirt, grit, weld spatter, paint, oil or other foreign matter shall be removed from the steel work. Welded connections shall not be painted prior to inspection.

The Contractor shall carry out non-destructive testing of welds at his own cost in the presence of the Engineer's Inspector. All welds shall be visually inspected along 100% of their length. NDT testing of welds for general steel structures is not required. For critical structures where connections are highly stressed, NDT inspection shall be performed.

7.0 STORAGE AND HANDLING

Fabricated parts shall be handled and stacked in such a way that permanent damage is not caused to the components. Means shall be provided to avoid damage to the protective treatment on the steel work.

All work shall be protected from damage in transit. Particular care shall be taken to stiffen free ends, prevent permanent distortion and protect all machined surfaces adequately.

8.0 PAINTING

Steelwork shall be prepared, primed and painted in accordance with the project Specification for painting. Steelwork to be galvanized shall be in accordance with IS 4759. Paint shall be excluded from areas within 50mm of joints to be field welded. In order to minimize coating damage, all reasonable care shall be taken: 1) when handling steelwork between stages in painting, and 2) when slinging and loading steelwork which has received its final coat.

No material shall be shipped until the final shop coat of paint is thoroughly dry and clearly colour coded. Adequate packing, crating, blocking and/or bracing shall be provided to prevent damage to the fabricated material while loading, in transit and while unloading.

After complete erection, surfaces, areas damaged subsequent to shop painting shall be repaired in accordance with the Painting Specification. Any damage caused, during delivery and/or erection, to galvanized steel surfaces shall be repaired in accordance with Paint Specification.



GAIL INDIA LIMITED

TECHNICAL SPECIFICATION FOR ROAD WORK & CONCRETE PAVEMENTS


GAIL-STD-CV-DOC-TS-009

Rev	Date	Purpose	Prepared By	Checked By	Approved By
0	22.06.18	ISSUED FOR BID	SS	UN	SKK



CONTENTS

1.0	INTRODUCTION.....	3
2.0	MATERIALS	3
3.0	GRADES AND PROPORTIONING.....	4
4.0	EQUIPMENT.....	5
5.0	PREPARATION OF SUB GRADE.....	5
6.0	FORMWORK.....	5
7.0	REINFORCEMENT.....	6
8.0	MIXING.....	6
9.0	PLACING.....	6
10.0	COMPACTION.....	7
11.0	FINISHING.....	8
12.0	CURING.....	9
13.0	JOINTS.....	9
14.0	OPENING TO TRAFFIC.....	9
	..	

TECHNICAL SPECIFICATION FOR ROAD WORKS & CONCRETE PAVEMENTS	Doc No.	Rev	
	GAIL-STD-CV-DOC-TS-009	0	
	Page 2 of 9		

1.0 INTRODUCTION

This specification establishes the requirements of material, laying and finishing of concrete pavements.

2.0 MATERIALS

WATER

Water used for cement concrete, mortar, plaster, grout, curing etc. shall be clear and free from injurious amounts of oils, acids, alkalis, organic matters or other harmful substances. Only natural water suitable for drinking shall be used. It shall conform to IS: 456.

AGGREGATE FOR CONCRETE

The aggregate for concrete shall comply in all respects with IS: 383 and IS: 456. This should be furnished in at least two separate sizes with separation at 20mm IS sieve when combined material graded from 5 to 38 mm is specified and at 25mm IS sieve when combined material graded from 20 to 50 mm is specified. This shall be obtained from a source approved by Owner/Owner's Representative and shall be chemically inert, strong, hard, durable and of limited porosity. This shall be of the gauge specified in the schedule of rates and approximately cubical in shape. It shall be free from soft or decayed pieces, dirt, clay, leaves or any organic matter. The aggregate shall not have any injurious effect when mixed with cement nor shall it corrode the reinforcement, nor otherwise impair the strength and durability of the concrete. The size of coarse aggregate mentioned in this specification denotes maximum size of aggregate and the same shall be grade downward as per IS: 383.

SAND FOR CONCRETE AND MORTAR


Fine aggregate shall preferably be natural sands. In case of crushed sand the very fine natural sand amount passing IS: 383. Sand shall consist of clean, hard, strong, sharp, durable uncoated particles free from any mix of clay, dust, vegetable matter, mica, iron pyrites, shells, soft or flaky and elongated particles, alkali organic matter, salts, loam and other impurities which may be considered by the Owner/Owner's Representative as harmful. Sulphate content should not exceed 1%. Total content of all deleterious matter should not exceed 5%. This source of sand shall be approved by the Owner/Owner's Representative. Sand obtained from river bed subject to tidal effect will not be allowed in works. All sand shall be washed before being brought to site.

STORAGE OF AGGREGATES

The contractor shall at all time maintain at the site of work such quantities of aggregates as are considered by the Owner/Owner's Representative to be sufficient to ensure continuity of work. Each type and grade of aggregates shall be stored separately. This ground on which the aggregates are stored shall be firm and have sufficient slope to ensure adequate drainage of rain water.

Any aggregate delivered to site wet shall be placed in storage for atleast 24 hours to ensure adequate drainage before it is used for concreting.

Sand heaps shall be covered with bricks or such other materials to prevent blowing off and to assist in good house keeping.

TECHNICAL SPECIFICATION FOR ROAD WORKS & CONCRETE PAVEMENTS	Doc No.	Rev	
	GAIL-STD-CV-DOC-TS-009	0	
	Page 3 of 9		

CEMENT

The cement used shall be ordinary Portland cement, conforming to IS: 8112, unless otherwise specified. The cement issued to the contractor shall be stored in a suitable weather tight building and in such a manner as to permit easy access for proper inspection. All cement stored at site by the contractor shall be arranged in batches and used in the same order as received from owner. Contractor shall maintain a cement register in which all entries shall be completed day-to-day showing quantities received, date of receipt and daily cement consumption.

REJECTION OF CEMENT

The Owner/Owner's Representative may reject cement which has deteriorated after issue to the contractor owing to inadequate protection against moisture or other causes or in any other case where the cement is not to his satisfaction.

ADMIXTURE

No admixture shall be normally permitted for concrete or mortar. Water proofing compound to be used in concrete, plaster, damp proof course etc. where specified, shall be of approved make. It shall be mixed as per manufacturer's specifications and as approved and directed by the Owner/Owner's Representative.

Joint sealing in pavements and around equipments structural columns shall be approved compound conforming to IS: 1834 TYPE 'b' (SHALITEX or approved equivalent).


3.0 GRADES AND PROPORTIONING

The grades indicated in drawings and schedules shall conform to IS: 456, the strengths being indicated below.

Min. Crushing Strength of 15 cm. Cube in Kg/cm² at 28 days

Grade	Compressive Strength
M- 10	100
M-15	150
M-20	200
M-25	250
M-30	300

The water cement ratio aggregates and grading for each mix shall be predetermined from the results of cube tests of trial mixes. The mix proportions determined thus shall be followed at site and shall in no way relieve the contractor of his responsibility as regards the prescribed strength of mix. The mix proportions, however, shall be revised if the results of the cube tests during the construction show consistently lower or higher strength than the prescribed one. No claim to alter the rates of concrete work will be entertained due to such changes in mix designs, as the contractor will be responsible to produce the concrete of required grade. The slump of concrete mix for pavements compacted by vibrations should not be more than 25 mm and that for manual compaction not more than 50 mm.

TECHNICAL SPECIFICATION FOR ROAD WORKS & CONCRETE PAVEMENTS	Doc No.	Rev	
	GAIL-STD-CV-DOC-TS-009	0	
	Page 4 of 9		

All concrete shall be controlled concrete conforming to IS: 456. For mud-mat and filling purpose ordinary concrete of 1:4:8 mix proportions may be used or as indicated in drawings.

4.0 EQUIPMENT

All equipment like weighting devices, measuring boxes, mixers, sub-grade templates, hand tempers, vibrating screens, internal vibrators, longitudinal floats, bridges, belts, push brooms, straight edges, edging tools etc. shall be on the worksite in first class working condition and shall have been inspected by the Owner/Owner's Representative before paving operations are permitted to start. Throughout the construction period the contractor shall maintain adequate equipment in first class working conditions to ensure the proper execution of the work.

5.0 PREPARATION OF SUB GRADE

The sub grade or sub base for laying of the concrete slabs shall comply with the following requirements:

- I. No soft spots are present in the sub grade or sub base.
- II. The uniformly compacted subgrade or subbase extends atleast 300mm on either side of the width to be concreted.
- III. The subgrade is properly drained.
- IV. The minimum modulus of subgrade reaction obtained with a plate bearing test shall be 5.54 Kg/cm².
- V. Sub grade shall be prepared to the lines and grades shown on the drawings.
- VI. No concrete shall be placed around manholes or other structure until they have been brought to required grade and alignment.
- VII. The subgrade shall be in moist condition at time of concrete placement.

6.0 FORMWORK


All side forms shall be of mild steel unless uses of wooden sections are specially permitted. The steel forms shall be MS channel sections and their depth shall be equal to thickness of the pavement. The sections shall have a length of atleast 3.0m except on curves, where shorter sections may be used. These forms should be provided with ample bracing and supports to prevent the springing of the forms under the concrete pressure or thrust of machinery operating nearby.

The forms should be in sufficient number and they should not be removed until concrete is hardened sufficiently.

In case wooden forms are permitted, these shall have minimum base width of 100mm for 200mm slabs and 150mm for more than 200mm thickness.

7.0 REINFORCEMENT

All reinforcement work shall confirm to IS: 456. Reinforcing steel shall be free from dirt scale or other foreign matter and rust. The number, size, form and position of all the reinforcement shall unless otherwise directed or authorised by Owner/Owner's Representative be strictly as per drawings. The placing of reinforcement shall be such that when properly placed into the work,

TECHNICAL SPECIFICATION FOR ROAD WORKS & CONCRETE PAVEMENTS	Doc No.	Rev	
	GAIL-STD-CV-DOC-TS-009	0	
	Page 5 of 9		

extreme longitudinal bars will be located not less than 50mm nor more than 100mm from the edges of the slab except for dummy joints, the length of reinforcement will keep clear of transverse joints by not less than 50mm nor more than 100mm as measured from the centre of the joint to the ends of longitudinal bars.

While overlapping the bars in either direction the overlap shall be atleast equal to spacing between bars in the respective direction.

To prevent displacement before or during concreting, the bars shall be secured to one another with 16 SWG black soft annealed binding wire. Wooden planks provided for labour to move shall be supported independent of reinforcement and the cage shall never be permitted to sag or get displaced during concreting. Concrete blocks shall be used to ensure correct cover of concrete over bars as shown in drawings.

Dowels if used as load transferring device shall be checked for exact position before concreting. Dowels shall be parallel to the surface and perpendicular to the joint and shall not place any restraint on the movement of the joint.

8.0 MIXING

Mixingshould be carried out in mechanical mixers. Drum of the mixer shall rotate at a peripheral speed of 60RPM (Rotation per minute). Hand mixing can, however, be permitted by Owner/Owner's Representative in special cases. Water cement ratio shall be rigidly controlled during mixing. Mixers shall be fitted with automatic devices to discharge measured quantity of water directly into the mixing pan. The water shall be introduced into the drum within first 15 seconds of mixing, but not until all the cement and aggregate constituting the batch are thoroughly mixed. Mixing shall continue until the concrete is uniform in colour and for not less than 2 minutes after all the materials and water are in the drum. The entire content of the drum shall be discharged before any materials are placed therein for the succeeding batch.

Correction for Bulking- In volume batching suitable allowance shall be made for the bulking of fine aggregates due to presence of water. For this purpose the bulking shall be determined as directed by Owner/Owner's Representative.

9.0 PLACING


The place where concrete is to be poured should be clean and free from all loose dirt, standing water etc.

Walking on reinforcement layers is not permissible. Walkways of wooden planks or similar material can be placed with removable supports and should be independent of the reinforcement. The reinforcement position should not be disturbed nor should at sag during carriage and placement of concrete.

Placing and vibration should not take totally more than 20 minutes from time of mixing. Method of placing should be got approved by Owner/Owner's Representative. Segregation during carriage and placement should be avoided. If during carriage concrete segregates, it should be remixed before placement.

Concrete should not be dropped from a height of over 1.5m.

To ensure bond and water tightness between old concrete surface and fresh concrete to be placed, the surface should be cleaned and roughened by "initial green cut" by wire brushing or

TECHNICAL SPECIFICATION FOR ROAD WORKS & CONCRETE PAVEMENTS	Doc No.	Rev	
	GAIL-STD-CV-DOC-TS-009	0	
	Page 6 of 9		

chipping. The initial green may be done by wire brush after 6 hours of placing concrete in order to facilitate the work. Chipping can be done only after 48 hours. A layer of cement slurry with 1:1 mix (1 cement: 1 sand) should be poured to obtain a uniform coating on old concrete. Immediately thereafter, the fresh concrete should be poured.

Concrete shall be mixed in quantities required for immediate use and shall be deposited on the sub-grade in a single operation to the required depth and width of the pavement. Spreading shall be as uniform as possible to avoid re-handling of concrete. Where however, a certain amount of redistribution is necessary it shall be done with shovels and not with rakes. Concrete shall be vibrated with internal vibrators. Concrete shall be placed continuously until completion of the part of the work between construction joints or as directed by Owner/Owner's Representative continuously until completion of the part of the work between construction joints or as directed by Owner/Owner's Representative.

All precautions shall be taken for concreting in extreme weather in accordance with the relevant clauses of IS: 456. Due protection shall be provided to prevent cement being blown away while proportioning and mixing during windy weather. No concreting shall be carried out in continuous heavy rains. Necessary arrangements to cover the freshly poured concrete shall be provided, to protect it from the direct rays of the sun and from drying winds.

All concreting placement should be co-ordinated with placement of conduits, inserts, embedded parts etc. executed either by same agency or separately.


Concrete in standing water shall be executed strictly as per IS: 456. This shall be paid as a separate item where applicable.

The concrete shall be laid in panels not exceeding 4m x4m as shown in layout drawing or as directed by Owner/Owner's Representative.

10.0 COMPACTION

The surface of the pavement shall be compacted either by means of power driven finish machine or a vibrating hand screed. For areas where width of the slab is very small as the corner of street junction etc. hand consolidation and finishing shall be done as follows:

- I. Concrete as soon as placed, shall be struck off uniformly and screeded to the crown and cross-section shown on the plans and to such level above the base that when compacted and finished, the pavement shall conform to the grade and cross section indicated by the plans. The entire surface shall then be tamped until a close knit dense surface is obtained.
- II. The tamper shall rest on the side forms and shall be drawn ahead with a swing motion in combination with a series of lifts and drops alternating with lateral shifts, the aim of this operation being compaction and screeding to the approximate level required. Subsequent tamping should advance 75mm at a time in the direction in which the work is proceeding and in final stages the tamping should be closer about 12mm at a time until a level and dense surface is obtained.
- III. If so directed by Owner/Owner's Representative, hand operated vibrating tamper consisting of normal type of hand tamper attached to a pneumatic or electric vibrating unit shall be used for compaction.

TECHNICAL SPECIFICATION FOR ROAD WORKS & CONCRETE PAVEMENTS	Doc No.	Rev	
	GAIL-STD-CV-DOC-TS-009	0	
	Page 7 of 9		

- IV. Segregated particles of coarse aggregate which collect in front of the tamper shall be thrown outside the forms or thoroughly mixed by hand with a mass; of concrete already on the base.
- V. Compaction by tamping shall be carried on till the mortar in the mix just works upto the surface. The surface shall be examined after compaction correction, if needed, shall be made by adding or removing concrete followed by further compaction and finishing.

11.0 FINISHING

FLOATING

As soon as practicable, after concrete has been struck off and compacted, it shall be further smoothed and compacted by means of a longitudinal float 1200 mm long and 75mm wide operated from a foot bridge.

STRAIGHT EDGING

After floating is completed and excess water removed but while concrete is still plastic the slab surface shall be tested for trueness with a straight edge and rectified, if necessary.

BELTING

Just before the concrete becomes non-plastic, the surface shall be belted with a two ply canvas belt not less than 200mm wide and atleast 1.0M longer than the width of the slab. Hand belts shall have suitable handles to permit controlled uniform manipulation. The belt shall be operated with short strokes transverse to the carriage way centreline and a rapid advance parallel to the centre line.

BROOMING

After belting and as soon as surplus water has risen to the surface the pavement shall be given a broom finish to produce corrugations of uniform appearance of not more than 1/16 inch in depth.

EDGING


Before the concrete has its initial set the edges shall be carefully finished with an edger of the radius required and pavement edge shall be left smooth and true to line.

12.0 CURING

INITIAL CURING

Immediately, after the completion of the finishing operations, the surface of pavement shall be entirely covered with wetted burlap, cotton or jute mats.

FINAL CURING

TECHNICAL SPECIFICATION FOR ROAD WORKS & CONCRETE PAVEMENTS	Doc No.	Rev	
	GAIL-STD-CV-DOC-TS-009	0	
	Page 8 of 9		

Upon the removal of the mats, the slab shall be thoroughly wetted and covered by the following method:

Curing with wet earth- A system of transverse and longitudinal dykes of clay about 50mm high shall be laid over the slab. These dykes shall be blanketed with sandy soils free from stones to prevent drying up. The rest of the slab shall be covered with sufficient sandy soil so as to produce a blanket of earth not less than 37mm depth after wetting. This earth shall be kept thoroughly wet till the concrete has attained the required strength but not less than 14 days.

13.0 JOINTS

Wherever called for on the drawings expansion joints, dummy joints and longitudinal joints shall be provided as per details indicated in the drawing and as directed by Owner/Owner's Representative.

After the curing, the temporary seal or other intruded materials of all expansion and contraction joints shall be removed completely and the slots filled with approved joint sealing compound. The edges of the joints shall thoroughly cleaned and primed with a thin bituminous paint which shall be allowed to dry before the sealing compound is applied.

The primer shall be applied with a brush. The composition of primer shall be as follows:

Name of Material	Percent by weight
200 – Penetration Bitumen	66%
Light creosote oil	14%
Solvent Naphtha	20%


The bitumen shall be melted and fluxed with oil. When cold, solvent Naphtha shall be added. Bituminous emulsion shall not be used as primers. Care shall be taken to ensure that the sealing compound is not heated above 200°C and the temperature does not exceed 180°C for long periods.

Sealing compound shall be poured into the joint opening in such a manner that the material will not be spilled on the exposed surface of the concrete. When required to prevent pick up under traffic, the exposed surface of the sealing compound shall be dusted with hydrated lime.

14.0 OPENING TO TRAFFIC

Traffic shall not be allowed for a period of 28 days after laying of concrete.

Before opening the roads to traffic all joints shall be filled and trimmed or topped out as required.

TECHNICAL SPECIFICATION FOR ROAD WORKS & CONCRETE PAVEMENTS	Doc No.	Rev	
	GAIL-STD-CV-DOC-TS-009	0	
	Page 9 of 9		



GAIL INDIA LIMITED

TECHNICAL SPECIFICATION FOR DISMANTLING AND DEMOLITION

GAIL-STD-CV-DOC-TS-010

Rev	Date	Purpose	Prepared By	Checked By	Approved By
0	22.01.19	ISSUED FOR BID	SS	UN	SKK




CONTENTS

1.0 INTRODUCTION.....3

2.0 SAFETY AND SECURITY.....3

3.0 WORKMANSHIP3

TECHNICAL SPECIFICATION FOR DISMANTLING AND DEMOLITION	Doc No.	Rev	
	GAIL-STD-CV-DOC-TS-010	0	
	Page 2 of 4		

1.0 INTRODUCTION

This specification deals with the procedures to be adopted while demolishing/dismantling of existing concrete, steel and masonry structures.

While the intent is not to specify each and every details of the dismantling activity, the contractor shall take every possible care while executing the works and as per directions of the Owner/Owner's Representative.

2.0 SAFETY AND SECURITY

Safety and security of the structures, site or the field personnel shall be solely the responsibility of the Contractor. The Contractor shall take all necessary safety measures to prevent mishaps or accidents during dismantling work.

For important structure/buildings as directed by the Owner/Owner's Representative, an advanced / improved demolition / dismantling technique / control demolition technique shall be adopted after carrying out collapse analysis as and when required. This shall be done such that the ground vibrations caused during demolishing/dismantling shall not unduly disturb/ damage the adjacent / neighbouring buildings/structures.

As for as possible for dismantling, core cutting techniques that uses cutting tools which produces less vibration/noise shall be used. Wherever applicable, approval of statutory body/concerned environmental agencies shall be obtained before starting of the dismantling/demolishing work.


3.0 WORKMANSHIP

Before taking up any dismantling/demolishing activity, a clear and detailed method statement indicating the detailed procedure adopted shall be prepared and submitted to the Owner/Owner's Representative for approval. The documents approved by the Owner/Owner's Representative do not absolve or dilute the Contractor's responsibilities towards safety precautions. Any liabilities/injuries/accidents arising due to defective safety practices of the Contractor shall be solely to the Contractor's accounts.

All materials obtained from dismantling/demolishing operations shall be the owner property, unless otherwise specified and shall be kept in the safe custody until handed over to the Owner/Owner's Representative

Where it becomes necessary to disconnect any existing service lines such as Electrical, Piping etc. during dismantling/demolishing operation and where so required by the Owner/Owner's Representative suitable alternate arrangement shall be made by the Contractor to maintain the continuity and proper functioning of the affected service linkage.

Dismantling activity implies carefully taking up or down and removing without damage. The articles shall be passed by hand where necessary, and lowered to the ground, and not thrown. Where nails, screws, bolts etc. fix these, these shall be taken out with proper tools and not by tearing or ripping off. Demolition activity implies taking up or down or breaking up. This shall consist of demolishing whole or part of work including all relevant items as specified or shown in the drawings.

TECHNICAL SPECIFICATION FOR DISMANTLING AND DEMOLITION	Doc No.	Rev	
	GAIL-STD-CV-DOC-TS-010	0	
	Page 3 of 4		


Prior to commencement of activity, the structures to be dismantled shall be studied carefully and the works procedure planned out. The permission to dismantle shall be obtained in writing from the Owner/Owner's Representative. Adequate warning/sign posts shall be provided at locations. The entire area shall be cordoned off after prior intimation. Where the plant is in operation, the operating staff of the plant shall be informed of the dismantling activity.

The demolition shall always be planned before hand and shall be done in reverse order of the one in which the structure was constructed. The scheme of demolition shall be got approved from the Owner/Owner's Representative before starting the work. Necessary propping, shoring and under pinning shall be provided for the safety of the adjoining work or property, which is to be left intact before demolition is taken up and the work shall be carried out in such a way that no damage is caused to the adjoining properties. Necessary precaution shall be taken to keep the dust nuisance down as and where necessary. The dismantling shall be commenced in a systematic manner- Chipping of concrete shall proceed taking adequate care as not to cause damage to the existing structures. Use of sledgehammer shall be limited so as not to cause damage to adjacent structures/equipment. Floor slabs shall be chiseled around the perimeter to enable removal of slabs in units. The area identified for chiseling shall be suitably assessed so as not to cause any damage to floor below, if any. The reinforcement shall be subsequently cut and the debris shall then be moved to the location identified by the Owner/Owner's Representative and as per his instructions. Masonry units shall be dismantled in such a way so that collapse of entire units is avoided. The bricks shall be removed in units. These shall be then moved to a location us directed by Owner/Owner's Representative, Adequate supports wherever necessary shall be provided to the area adjacent to the dismantling activity so as to protect any damage or collapse, Shuttering shall be provided below the slabs where chipping is envisaged. If necessary, blinds shall be erected to avoid dust and flying of the chipped particles.

Any serviceable material obtained during dismantling or demolition shall be separated out and stacked properly as directed by Owner/Owner's Representative within a lead of 100 meters. All unserviceable materials rubbish etc. shall be disposed off as directed by Owner/Owner's Representative.

Where structural steel platforms are to be dismantled, these shall be either carefully cut or if it is a bolted structure such as platforms, be dismantled to enable reuse of these units for a different location.

After the dismantling or demolishing work is complete, all loose debris etc. shall be removed and the area swept clean or washed with water.

TECHNICAL SPECIFICATION FOR DISMANTLING AND DEMOLITION	Doc No.	Rev	
	GAIL-STD-CV-DOC-TS-010	0	
Page 4 of 4			



GAIL INDIA LIMITED

TECHNICAL SPECIFICATION FOR BARRICADES

GAIL-STD-CV-DOC-TS-011

0	22.01.19	ISSUED FOR BID	SS	UN	SKK	
Rev	Date	Purpose	Prepared By	Checked By	Approved By	

TABLE OF CONTENTS

1.0 SCOPE.....3

2.0 REFERENCE DOCUMENTS.....3

3.0 GENERAL.....3

1.0 INTRODUCTION


This specification covers the requirement for site in-situ barricading where the work is commencing along the major and minor roads.

2.0 REFERENCE DOCUMENTS

Refer GAIL standard drawing no: - GAIL-STD-CV-DWG-TP-015

3.0 GENERAL

- Providing and installing the barricades of size 2.5 m X 2.0 m of the design and type as shown in the standard drawing no:- ENG-STD-CV-DWG-TP-011. Installation plan of Barricades is to be approved by Owner/Owner's Representative. Barricades are to be firmly fixed to the ground and are to be maintained during the progress of work.
- Barricades are to be painted with logo initially and repainting to be done whenever required.
- Wet mopping of Barricades shall be done quarterly in a month.
- In accordance with the requirements of this specification, the contractor shall submit the details specified in the following paragraphs covered by this specification.
- Wet mopping of Barricades shall be done quarterly in a month.
- Ground Space of one-meter width outside barricades shall be cleaned everyday.
- Reflector shall be placed on the barricades.
- Barricades shall have blinking red light for night getting power through generator or electric connection.
- To avoid traffic congestion/accident a trained supervisor shall be deployed as per directions of Owner/Owner's Representative.
- Dismantling of Barricades from the site and cleaning the site as per directions of Owner/Owner's Representative.

TECHNICAL SPECIFICATION FOR BARRICADES	Doc No.	Rev	
	GAIL-STD-CV-DOC-TS-011	0	
	Page 3 of 3		




GAIL INDIA LIMITED

TECHNICAL SPECIFICATION FOR STANDARD FIELD QUALITY PLAN

GAIL-STD-CV-DOC-TS-012

Rev	Date	Purpose	Prepared By	Checked By	Approved By
0	22.01.19	ISSUED FOR BID	SS	UN	SKK



STANDARD FIELD QUALITY PLAN

Sl. No	Component Operation & Description of Test	Sampling Plan with basis	Ref. Document & acceptance norms	Testing Agency	Remarks	Check
1	CHECKING OF FOUNDATION MATERIALS					
A.	CEMENT	One sample per lot of 100 MT or part thereof from each source for MTCs and one sample per lot of 200 MT or part thereof from each source for site testing.	IS:456, IS:269, IS:8112, IS:12269, IS:4489 & LEPL Specification	Manufacturer approved lab	Review of manufacturers test certificates (MTCs) and laboratory test results by LEPL	β
i	Initial & final setting time					
ii	Soundness					
iii	Heat of Hydration for low heat cement (Not Applicable for OPC & PCC)					
iv	Fineness					
v	Compressive Strength					
vi	Chemical Composition of Cement	One sample per lot of 100 MT or part thereof from each source fro MTCs.	IS:456, IS:269, IS:8112, IS:12269, IS:4489 & LEPL Specification	Manufacturer	Review of manufacturers test certificates by LEPL	β
B.	COARSE AGGREGATES					
i.	Determination of Particle size (Sieve Analysis)	One sample per lot of 100 cubic meter or part thereof from each source for each source for each size	IS: 383, IS: 2386 and LEPL specification	LEPL approved lab. However, Moisture content test for design mix concrete shall be done on all days of concreting at site.	Each source to be approved by LEPL. Review and acceptance of test result by LEPL	B
ii	Flakiness Index					
iii	Crushing Value					
iv	Specific Gravity					
v	Bulk Density					
vi	Absorption Valve					
vii	Moisture Content					
viii	Soundness of Aggregate					
ix	Presence of detections materials					

Sl. No	Component Operation & Description of Test	Sampling Plan with basis	Ref. Document & acceptance norms	Testing Agency	Remarks	Check
C	FINE AGGREGATE					
i	Gradation/Determination of Particle size (Sieve Analysis)	One sample per lot of 100 cubic meter of part thereof from each source	IS:383, IS:2386, IS:456 and LEPL specification	LEPL approved lab. However, Moisture content test for design mix concrete shall be done on all days of concreting at site.	Each source to be approved by LEPL. Review and acceptance of test result by LEPL	β
ii	Specific Gravity and density.					
iii	Moisture content*					
iv	Absorption Value*					
v	Bulking					
vi	Silt Content Test					
vii	Presence of deleterious materials					
D	BRICKS					
i.	Dimensional tolerance	As per enclosed Annexure-II	CPWD & LEPL specification	LEPL approved Lab.	Approved by LEPL	β
ii	Compressible Strength					
iii	Water Absorption					
iv	Efflorescence					
E	WATER					
i	Cleanliness (Visual Check)	Random	IS: 456, IS: 3025 and LEPL specification. The water used for mixing concrete shall be fresh, clean and free from oil, acids and alkalis, organic materials, or other deleterious materials.	Contractor	Each source to be approved by LEPL	β
ii	Chemical and physical properties of water for checking its suitability for construction purposes	One sample per source	IS:456, IS:3025 and LEPL specification	Contractor/ LEPL approved lab.	Approved by LEPL	β

Sl. No	Component Operation & Description of Test	Sampling Plan with basis	Ref. Document & acceptance norms	Testing Agency	Remarks	Check
2	Reinforcement Steel					
i.	Identification & size	Random	IS:432, IS:1139, IS:1786 & LEPL specification	Contractor	Approved by LEPL	β
ii.	Chemical Analysis Test	One sample per heat	IS:432, IS:1139, IS:1786 & LEPL specification	Manufacturer	Review of manufacturers test certificates by LEPL	β
iii	Tensile Test	One sample per lot of 40 MT or part thereof for each size of steel conforming to IS:1139 and 5 MT or part thereof for HDS wire for each size of steel as per IS:432. For steel as per IS:1786 under 10mm 1 sample for each 35 MT or part thereof. Over 16m , 1 sample for each 45 MT or part thereof.	IS:432, IS:1139, IS:1786 & LEPL specification	Manufacturers / LEPL approved Lab	Review of manufacturers test certificates as well as lab test result by LEPL	β
iv	Yield stress/ proof stress					
v	Percentage Elongation					
vi	Bend/Rebend Test	One sample per lot of 20 MT or part thereof for each size of steel as per IS:432, IS:1139. For steel as per IS:1786 under 10mm-16mm, 1 sample for each 25 MT or part thereof 10mm-16mm 1 sample for each 45 MT or part thereof.	IS:432, IS:1139, IS:1786 & LEPL specification	Manufacturers / LEPL approved Lab	Review of manufacturers test certificates as well as lab test result by LEPL	β

Sl. No	Component Operation & Description of Test	Sampling Plan with basis	Ref. Document & acceptance norms	Testing Agency	Remarks	Check
vii	Reverse Bend Test for HDS wire.	One sample per lot of 5 MT or part thereof for each size	IS:432, LEPL specification	Manufacturer/ LEPL approved lab.	Review of manufacturers test certificates as well as lab test result by LEPL	β
3	Structural Steel Used In Cable Trenches & Foundations					
i.	Dimensional Check	Random	LEPL specification & approved drawing	Contractor	Checklist to be prepared and signed jointly.	β
ii	Visual Check for damages, resting, pitting etc.	100%	LEPL specification & approved drawing	Contractor	Checklist to be prepared and signed jointly.	γ
iii	Visual Check for welding, defects, primer coating and painting/ galvanizing as applicable	Sample per lot of 40 MT or part thereof for tensile tests and 1 sample per lot of 20 MT or part thereof for bend test for each size.	IS:2062, LEPL Specification & approved drawings	Manufacturer/ LEPL approved lab	Review of Mtgs test certificates as well as lab test results by LEPL	γ
iv	Physical properties of structural steel	One sample per lot of 40 T or part thereof for tensile tests and 1 sample per lot of 20 T or part thereof for bend test.	IS 2062 ,LEPL Specifications and approved drawings	Manufacturer/LEPL approved lab	Review of Mtgs test certificates as well as lab test results by LEPL	β
4	EQUIPMENT FOUNDATION/ CABLE TRENCH					
A	BEFORE EXCAVATION					
i	Checking of pegs condition as per line and alignment	100% on each location	IS:4091, IS:3764 & LEPL approved drawing/ specification	Contractor	Approved by LEPL	γ

Sl. No	Component Operation & Description of Test	Sampling Plan with basis	Ref. Document & acceptance norms	Testing Agency	Remarks	Check
ii.	Checking of pit making as per drawing & RL.	100% on each location	IS:4091, IS:3764 & LEPL approved drawing/ specification.	Contractor	Approved by LEPL	Y
B	EXCAVATION					
i	Dimensional conformity	Each location	IS:4091, IS:3764 & LEPL approved drawing/ specification.	Contractor	Approved by LEPL	β
ii	Verticality/slopes & Squareness of each pit	Each location	IS:4091, IS:3764 & LEPL approved drawing/ specification.	Contractor	Approved by LEPL	β
iii	Verification & classification of foundation wherever application.	Each location	IS:4091, IS:3764 & LEPL approved drawing/ specification.	Contractor	Approved by LEPL	β
C	FOUNDATION BOLTS/ MATALLIC INSERTS					
i	Check for proper identification foundation bolts w.r.t. type of foundation	100%	LEPL specification & approved drawings	Contractor	Checklist to be prepared & signed jointly.	Y
ii	Visual check for mechanical damage and galvanizing/ painting it applicable for metallic insert	100%	LEPL specification & approved drawings	Contractor	Checklist to be prepared & signed jointly.	Y
iii	Alignment & Level	100%	LEPL specification & approved drawings	Contractor	Checklist to be prepared & signed jointly.	β

Sl. No	Component Operation & Description of Test	Sampling Plan with basis	Ref. Document & acceptance norms	Testing Agency	Remarks	Check
iv	Grouting/ Underpinning of foundation base plate.	100%	LEPL specification & approved drawings	Contractor	Checklist to be prepared & signed jointly.	γ
D	P.C.C. PADDING	For all locations	IS:456 and LEPL approved foundation drawings & Specification	Joint Inspection by LEPL and Contractor.	Approval by LEPL	β
E	SHUTTERING (Formwork)					
i.	Check for materials, breakage or damage.	100%	IS: 456, LEPL specification / approved drawings.	Joint Inspection by LEPL and contractor	Approval by LEPL	γ
ii	Check for plumb, alignment parallelism, squareness and equidistance from stub.	100% before casting	IS:456, LEPL Specification/ approved drawings.	Joint Inspection by LEPL and contractor.	Approval by LEPL	β
iii	Dimensional check	100% before casting	LEPL Specification/ approved drawings	Joint Inspection by LEPL and contractor	Approval by LEPL	β
iv	Check for level & height.	100% before casting	LEPL Specification/ approved drawings	Joint Inspection by LEPL and contractor	Approval by LEPL	β

Sl. No	Component Operation & Description of Test	Sampling Plan with basis	Ref. Document & acceptance norms	Testing Agency	Remarks	Check
v	Check for rigidity of frame/ tightness	100%	LEPL Specification/ approved drawings	Joint Inspection by LEPL and contractor	Approval by LEPL	β
vi	Cleaning and oiling	100%	LEPL Specification/ approved drawings	Joint Inspection by LEPL and contractor	Approval by LEPL	β
vii	Diagonal bracing if required as per drawings/ site conditions	100%	LEPL Specification/ approved drawings	Joint Inspection by LEPL and contractor	Approval by LEPL	γ
viii	Checking of joints to avoid undue loss of cement slurry.	100%	LEPL Specification/ approved drawings	Joint Inspection by LEPL and contractor	Approval by LEPL	γ
F	Placement of Reinforcement Steel					
i	Check the steel bars for rust, cracks, surface flaws, laminate etc. (Visual check)	100%	IS:456 and LEPL Specification/ approved drawings	Joint Inspection by LEPL and contractor	Approval by LEPL	γ
ii	Check as per the bar bending schedule before placement of concrete.	For all locations	IS:456 IS:2502 and LEPL Specification/ approved drawings	Joint Inspection by LEPL and contractor	Approval by LEPL	γ
iii	Checking cutting tolerance for bars as per check list/ drawings, check whether all the bent bars and lap lengths are as per	For all locations	IS:456 , IS:2502 and LEPL Specification/ approved drawings	Joint Inspection by LEPL and contractor	Approval by LEPL	β

Sl. No	Component Operation & Description of Test	Sampling Plan with basis	Ref. Document & acceptance norms	Testing Agency	Remarks	Check
	approved bar bending schedule.					
iv	Check whether all joints & crossing of bars are tied properly with right guage & annealed wire as per specification	100%	IS:456 , and LEPL Specification/ approved drawings	Joint Inspection by LEPL and contractor	Approval by LEPL	Y
v	Check for proper cover distance spacing of bars, spacers & chairs after the reinforcement cage has been put inside the formwork.	100%	IS:456 , and LEPL Specification/ approved drawings	Joint Inspection by LEPL and contractor	Approval by LEPL	Y
vi	Check whether tapping of bars are tied properly with right guage and annealed wire as per specification.	100%	IS:456 , and LEPL Specification/ approved drawings	Joint Inspection by LEPL and contractor.	Approval by LEPL	β
vii	Anchor bolts if applicable					
a	Level, center-to-center distance of bolts.	100% on each location	LEPL approved pile foundation drawings/ specification.	Joint Inspection by LEPL and contractor.	Checklist to be prepared and signed jointly.	β
b	Visual check for galvanizing.	100% on each location	LEPL approved pile foundation drawings/ specification.	Joint Inspection by LEPL and contractor.	Checklist to be prepared and signed jointly.	β

Sl. No	Component Operation & Description of Test	Sampling Plan with basis	Ref. Document & acceptance norms	Testing Agency	Remarks	Check
5	CONCRETING					
a	APPROVAL OF MIX DESIGN	Each mix	IS: 456 & LEPL drawings/ specification.	LEPL approved by Lab	Approval by LEPL	α
b	BATCHING, MIXING & PLACING OF CONCRETE AND COMPACTING.	100%	IS:456 & LEPL approved pile foundation drawings/ specification	Joint Inspection by LEPL and contractor.	Approval by LEPL	β
c	PLACING CONCRETE AND COMPACTING.	100%	IS:456 & LEPL approved pile foundation drawings/ specification	Joint Inspection by LEPL and contractor.	Min gap between boxes and reinforcement bars should be maintained. Approved by LEPL.	β
D	Concrete testing					
i	Slump Test	One sample per casting	IS:456, IS 516, IS: 1199 and LEPL specification.	Contractor	Approved by LEPL	β
ii	Check for quantities for cement, fine aggregate, coarse aggregate and water while batching	100% on all locations	IS:456, IS 516, IS: 1199 and LEPL specification.	Contractor	Checklist to be prepared and signed jointly.	β
e	Concrete Cube Testing					
i	Compressive Strength	One sample for every 20 Cum of concreting or part thereof for each days concreting (one sample consists of min. 3 test cubes for 28 days strength)	IS:456, IS 516, IS: 1199 and LEPL specification.	LEPL approved lab	Approval by LEPL Cubes must be tested within a week after 28 days curing period and test results should be approved.	α

Sl. No	Component Operation & Description of Test	Sampling Plan with basis	Ref. Document & acceptance norms	Testing Agency	Remarks	Check
f	CHECK FINISHING, DIMENSIONAL CONFORMITY AND WORKMANSHIP BEFORE & AFTER BOX REMOVAL.	100%	IS:456, IS 516, IA: 1199 and LEPL specification.	Contractor	Approval by LEPL	β
6	BACKFILLING					
i	Check for thickness of layer & watering	100%	LEPL specification and approved drawings.	Contractor	Approved by LEPL	γ
ii	Visual check for correction/ramming.	100%	LEPL specification and approved drawings.	Contractor	Approved by LEPL	γ
iii	Compaction test (percentage of max. dry density)	Samples for each pit. Equipment & other foundation 20% at random	LEPL Specification	LEPL approved lab	Review of lab test results by LEPL. Elevation for testing to be decided by LEPL.	β
6	BRICK-WORK & TILING WORK					
i.	Mortar mix/ proportion	Random	IS:2250, LEPL specification & CPWD specification.	Contractor	Approval by LEPL	β
ii	Plumb & Alignment	Random	LEPL specification & CPWD Specification	Contractor	Approval by LEPL	β
iii	Joints	Random	LEPL specification & CPWD Specification	Contractor	Approval by LEPL	β

Sl. No	Component Operation & Description of Test	Sampling Plan with basis	Ref. Document & acceptance norms	Testing Agency	Remarks	Check
iv	Water absorption Test	Random	LEPL specification & CPWD Specification	Contractor	Approval by LEPL	β
7	PLASTERING					
i	Plastering thickness and evenness	Random	LEPL specification & CPWD Specification	Contractor	Approval by LEPL	β
ii	Mortar mix./ proportion	Random	LEPL specification & CPWD Specification	Contractor	Approval by LEPL	β
8	SITE SURFACING					
i	Levelling	100%	LEPL specification & CPWD Specification	Contractor	Checklist to be prepared and signed jointly	B

Section: GENERAL GUIDELINES FOR IMPLEMENTATION

1. Details of categories of check codes α , β & γ including accepting and deviation dispositioning authorities are indicated at Annexure-1.
2. LEPL specification shall mean LEPL technical specification, approved drawings/ data sheets and LOA provisions applicable for the specific contract.
3. Accepting criteria and permissible limits for certain tests are indicated at Annexure-II. For balance tests, site to verify the same with respect to LEPL specification, relevant Indian Standards and/or prevalent code of practice.
4. It is clarified that the tests indicated at column 2 of this F.Q.P. i.e. against column "Component Operation & Description of Test," are only generally required to be conducted. However, LEPL reserves the right to carryout any additional tests at any stage if the situation so warrants.
5. LEPL site representative shall witness all the tests conducted by the contractor as mentioned in this F.Q.P. However, in case of tests conducted in the LEPL approved lab, it is preferred to witness the tests in the lab itself, if possible.
6. LEPL shall approve testing laboratory before accepting the test results from the lab.

7. LEPL shall approve the sources for cement, coarse aggregate, fine aggregate & water before actual utilization.
8. All the testing & measuring equipment used by the contractor for testing are required to be calibrated. A copy of valid calibration report shall be retained by LEPL as records.
9. Classification of foundations shall be approved by LEPL based on the Joint Inspection Report & Soil investigation reports.
10. Curing of concrete work should be continued for a minimum period of 10 days.
11. ZONE-IV FINE AGGREGATE.
 - a. Zone-IV fine aggregate shall be used for nominal mix. Reinforced cement concreting work.
 - b. Zone-IV fine aggregate shall be avoided for design mix. Reinforced cement concreting work unless tests have been done to ascertain the suitability of proposed mix proportion with the prior approval LEPL site.
12. BRICKS

Bricks shall be free from cracks, flaws and modules of free lime. They should have smooth rectangular faces with sharp corners and should be uniform in colour.
13. CEMENT
 - a. In case supply of cement is in the scope of the contractor, the same shall be procured from sources approved by LEPL site and got tested at site on sample basis for specified acceptance tests as specified in the F.Q.P. at a reputed Third Party Lab approved by LEPL site.
 - b. The samples of cement for site testing shall be taken within three weeks of the delivery and all the tests shall be commenced within one week of sampling, if the cement remains in store for a period of more than six month. All the site tests are required to be repeated before usage.
14. REINFORCEMENT STEEL & STRUCTURAL STEEL USED IN CABLE TRENCHES AND FOUNDATIONS.
 - a. In case supply of steel is in the scope of the contractor, the same shall be procured from the main producers i.e. SAIL, TISCO, IISCO or Rashtriya Ispat Nigam Ltd. The steel shall be got tested at site on sample basis of specified acceptance tests as specified in this F.Q.P. at a reputed Third Party Lab approved by LEPL site.
 - b. The results of the testing of cement and reinforcement steel referred to in 13.a and 14.a above shall be got approved from LEPL site before cement and reinforcement steel are put to use. However, in exceptional cases due to exigencies of work. LEPL site may authorize the contractor to use Cement and Reinforcement Steel even before the test results are received. However, in all such cases, if the test results subsequently received are found to be not complying with the specified acceptance criteria, the contractor shall have to dismantle and recast all such foundations cast with such non-conforming materials at his own cost. Confirmation to this effect shall be obtained from the contractor by the Project authorities beforehand in all such cases.
15. The contractor shall submit welding procedure specification (WPS) including the type of electrode used for approval of LEPL site before starting the welding work.

TECHNICAL SPECIFICATION FOR STANDARD FIELD QUALITY PLAN	Doc No.	Rev	827 of 1517
	GAIL-STD-CV-DOC-TS-012	0	
	Page 13 of 17		

16. Approval/ acceptance of individual test results by LEPL in the course of execution of contract will not relieve the contractor of his contractual obligations and responsibilities, nor does it limit the Owner's right under the contract.
17. In case, requirement of special items like Super Sulphated Cement, Corrosive Resistant Reinforcement Steel (CRRS) etc arise due to site conditions, the specific approval of LEPL may be obtained before using the same and all the tests as per relevant standards shall be carried out.

All the materials shall be stored by the contractor in a manner affording convenient access for identification and inspection at all times. Storage of material shall be in accordance with IS: 4032 (Latest Edition).

ACCEPTANCE CRITERIA AND PERMISSIBLE LIMITS FOR FOUNDATION MATERIALS & CONCRETE

A. CEMENT

Description of the Test	33 Grade OPC as per IS:269	43 Grade cement as per IS:8112	PPC as per IS:1489	Low Heat Cement
i) Fineness (min)	225 m ² /Kg	225 m ² /Kg	300 m ² /Kg	225 m ² /Kg
ii) Compressive Strength (min) 72 ± 1 hours 168 ± 2 hours 672 ± 4 hours	160 kgf/cm ² 220 kgf/cm ² -	23 MPa 33 MPa 43 MPa	16 Mpa 22 Mpa 33 Mpa	100 kgf/cm ² 160 kgf/cm ² 350 kgf/cm ²
iii) Initial Setting Time (Min)	30 Minutes	30 Minutes	30 Minutes	30 Minutes
iv) Final Setting Time (Max.)	600 Minutes	600 Minutes	600 Minutes	600 Minutes
v) Soundness (Le chatelier Method)	Max 10 mm expansion	Max 10 mm expansion	Max 10 mm expansion	Max 10 mm expansion
vi) Heat of hydration (Max.)	-	-	-	Max. 65 cal/gm for 7 days cal/gm for 28 days
vii) Chemical Composition	As per IS	As per IS	As per IS	As per IS

B. COARSE AGGREGATE

- (i) Sieve Analysis

IS SIEVE Designation	Percentage passing for Graded aggregate of nominal size		Percentage passing for single sized aggregate of nominal size	
	40 mm	20 mm	40 mm	20 mm
63 mm	-	-	100	-
40 mm	95 to 100	100	85-100	100

IS SIEVE Designation	Percentage passing for Graded aggregate of nominal size		Percentage passing for single sized aggregate of nominal size	
20 mm	30 to 70	95 to 100	0-20	85-100
10 mm	10 to 35	25 to 55	0-5	0-20
4.75 mm	0 to 5	0 to 10	-	0-5

- (ii) Flakiness Index Not to exceed 25%
- (iii) Crushing Value Not exceed 45%
- (vi) Soundness of aggregate applicable for concrete works subject to frost action Loss of weight after 5 cycle to exceed 12% when tested with Sodium sulphate and 18% when tested with magnesium sulphate.
- (v) Deleterious material Not to exceed 5% of the weight of aggregate when tested as per IS:2386 Part-II (1963)

C. FINE AGGREGATE

- (i) Sieve Analysis Shall confirm to Zone II or Zone III.

IS Sieve designation	Percentage Passing for			
	Grading zone-I	Grading zone-II	Grading zone-III	Grading zone-IV
10 mm	100	100	100	100
4.75 mm	90-100	90-100	90-100	95-100
2.35 mm	60-95	75-100	85-100	95-100
1.18 mm	30-70	55 – 90	75 – 100	90- 100
600 Micron	15-34	35-59	60-79	60-100
300 Micron	15-20	8-30	12-40	15-50
150 Micron	0-10	0-10	0-10	0-15

- (ii) For guidance of adjusting sound in mix of concrete, the following table may be used.

Moisture Content %	Building % by volume
2	15
3	20
4	25
5	30

- (iii) Silt Content Test: Shall not exceed 4% when tested for building work and shall not exceed 10% as per procedure specified CPWD specification when tested.
- (iv) Deleterious Materials: Total deleterious material shall not be more than 5% by weight.
- (D) REINFORCEMENT STEEL: As per relevant Indian Standards.
- (E) CONCRETE CUBE TEST

For nominal (volumetric) concrete mixes, compressive strength for M20 (1:1½:3 (cement: sand: Coarse aggregate) concrete shall be 265 kg/ cm² for 28 days.

- (F) ACCEPTANCE CRITERIA BASED ON 28 DAYS COMPRESSIVE STRENGTH FOR NOMINAL MIX CONCRETE.
 - (a) The average of the strength of three specimen be accepted as the compressive strength of the concrete, provided the strength of any individual cube shall neither be less than 70%, nor higher than 130% of the specified strength.
 - (b) If the actual average strength of accepted sample exceeds specified strength by more than 30%, the Owner/Owner's Representative, if he so desires, may further investigate the matter. However, if the strength of any individual cube exceeds more than 30% of specified strength, it will be restricted to 30% only for computation of strength.
 - (c) If the actual average strength of accepted sample is equal to or higher than specified strength upto 30%, than strength of the concrete shall be considered in order and the concrete shall be accepted at full rates.
 - (d) If the actual average strength of accepted sample is less than specified strength but not less than 70% of the specified strength, the concrete may be accepted at reduced rate at the discretion of Owner/Owner's Representative.
 - (e) If the actual average strength of accepted sample is less than 70% of specified strength, the Owner/Owner's Representative shall reject the defective portion of work represented by sample and nothing shall be paid for the rejected work. Remedial measures necessary to retain the structure shall be taken at the risk and cost of contractor. If, however, the Owner/Owner's Representative so desires, he may order addition to tests to be carried out to ascertain if the structure can be retained. All the charges in connection with these additional tests shall be borne by the Contractor.
- (G) ACCEPTANCE CRITERIA FOR DESIGN MIX CONCRETE SHALL BE AS PER IS: 456.
- (H) SAMPLING PLAN FOR BRICK- WORK

Scale of sampling and permissible number of defectives for visual and dimensional characteristics.

No of bricks in the lot	For Characteristics specified for individual bricks		For dimensional characteristics for group of 20 bricks. No. of bricks to be selected.
2001-10000	20	1	40
1001-35000	32	2	60
35001-50000	50	3	60

Note: In case the lot contains 2000 or less bricks the sampling shall be as per decision of the Owner/Owner's Representative.

ii) Scale of sampling for physical characteristics

Lot size	Sampling size for compressive strength water absorption and efflorescence	Permissible No. of defectives for efflorescence
2001-10000	5	0
10001-35000	10	0
35001-50000	15	1

Note: In case the lot contains 2000 or less bricks, the sampling shall be as per decision of Owner/Owner's Representative.

iii) Water absorption Test.

Water absorption after 24 hours immersion shall not exceed more than 22 percent by weight.



GAIL INDIA LIMITED

TECHNICAL SPECIFICATION FOR TOPOGRAPHICAL SURVEY


GAIL-STD-CV-DOC-TS-013

Rev	Date	Purpose	Prepared By	Checked By	Approved By
0	22.01.19	ISSUED FOR BID	SS	UN	SKK



CONTENTS

1.0	INTRODUCTION.....	3
2.0	SCOPE OF WORK	3
3.0	LEVELING WORK	4
4.0	SURVEY DETAILS	4
5.0	SURVEY DRAWING AND SCALE.....	4
6.0	INSTRUMENTS, TOOLS AND TACKLES.....	5

TECHNICAL SPECIFICATION FOR TOPOGRAPHICAL SURVEY	Doc No.	Rev	
	GAIL-STD-CV-DOC-TS-013	0	
	Page 2 of 5		

1.0 INTRODUCTION

This specification deals with the Topographical Survey work for development of terminals. The intent of the survey for the proposed sites is to obtain sufficient topographical data for finalizing all engineering works and establishment of Reference levels and plot extremities for reference during construction of the project.


2.0 SCOPE OF WORK

The terminals/plots along with approaches to the plots which are to be surveyed shall be clarified by the Engineer in charge during execution of work.

The Survey agency shall carry out detail survey of the area along with showing:-

- Physical features, spot levels, invert levels of existing drains and culverts in terms of RL with their cross sections, transmission/telephone lines, service lines etc. land survey by triangulation or other suitable method.
- Topographical survey indicating existing permanent and temporary structures including levels & limits.
- Drawing of terrain.
- Detailed levels and coordinates of existing roads and other units.
- Preparation of survey drawings with descriptive note on terrain.
- Setting of reference grid lines and temporary bench marks.
- True North
- Grids at 5m interval shall be established parallel to true north. Working reference point "A" to be fixed at site with reference to some permanent bench mark.
- Check the co-ordinations of existing roads and other units with reference to the details
- Survey of 5m length beyond the periphery of the proposed plot all around the proposed site.
- Establish the HFL while indicating its source of information.
- To identify storm water disposal point with it's levels as per existing site condition.
- Plot plan to show all test locations w.r.to plot corner pegs as well as their Reduced Level.

3.0 LEVELING WORK

TECHNICAL SPECIFICATION FOR TOPOGRAPHICAL SURVEY	Doc No.	Rev	
	GAIL-STD-CV-DOC-TS-013	0	
	Page 3 of 5		

The leveling work shall be based on the bench marks available in the vicinity or any permanent existing features. Vertical control based on existing bench marks shall be established based on closed level network.

Suitable instruments shall be used for establishing the bench marks and for doing the general leveling work. All survey points, reference grid /corner pillars (of wooden pegs), shall be protected in such a way so that they are not disturbed during the construction period. The size of pegs shall be minimum 100mm diameter of Wooden balli which shall be embedded in ground. Reference point for the grid system shall be nearest to the existing permanent features.

4.0 SURVEY DETAILS

It shall be general survey work to be used for engineering purposes. The survey shall be oriented towards furnishing information for project planning and detailed engineering work. The survey shall show all the existing features along with levels and important dimensions. Existing features such as roads, railway tracks, buildings, drains, manholes, overhead & underground service lines, communication and supply lines, and similar permanent and temporary structures shall be shown. Each survey drawing shall show sets of perpendicular grid lines parallel to actual North, South and East, West with reference to reference point. These are needed for the purpose of orienting and matching the survey drawings with layout of the unit. Ground levels shall be shown on rectangular grid pattern at intervals of 10 meters. Additional levels to show sudden change of levels shall also be indicated. Contours are to be drawn at 0.20 m intervals. Inverts levels of existing drains at regular intervals shall be taken. Top levels of man-holes shall also be taken. Existing levels at regular intervals and at all junctions for roads, top levels, width, curvature at turning points shall be shown. Any other important detail shall also be shown. Bench marks, reference points, triangulation stations, any existing boreholes, oil wells trial pits etc. used shall be clearly identified in the drawing indicating their values/co-ordinates. Co-ordinates mentioned above shall be surveyed with respect to the reference axes N-S and E-W.

All survey data collected during the day shall be plotted on the drawing sheet on the same day. These drawings shall be used for following, day to-day progress of work and for quick reference, if needed.

5.0 SURVEY DRAWING AND SCALE


All survey drawings shall be made in metric units.

Survey drawings that are to be submitted to the Owner shall be in colour on white paper.

Four copies each of drawings shall be submitted to the Owner along with 2 editable copy on a DVD. .

A descriptive note regarding the site conditions and special features shall also be submitted in field reports. These notes will compliment the drawing and will contain information which could not be covered in the survey drawings. The entire survey report shall also be submitted in soft copy on DVD in 2 sets.

The scale of the drawings shall be 1:100. Generally, A-1 size sheets shall be used for drawings.

TECHNICAL SPECIFICATION FOR TOPOGRAPHICAL SURVEY	Doc No.	Rev	
	GAIL-STD-CV-DOC-TS-013	0	
	Page 4 of 5		


6.0 INSTRUMENTS, TOOLS AND TACKLES

The use of proper instruments is an important factor in survey work. The Contractor shall arrange his own instruments, accessories, tools and tackles, camping equipment and transport necessary for conducting the survey as per precision required.

Experienced and qualified engineers, surveyors and draughtsmen shall be engaged to carry out the work.

Survey team shall have at least the following survey instruments and accessories.

- Total Station
- Precision Automatic levels with precision leveling staff
- Precision Measuring Tapes

TECHNICAL SPECIFICATION FOR TOPOGRAPHICAL SURVEY	Doc No.	Rev	
	GAIL-STD-CV-DOC-TS-013	0	
	Page 5 of 5		



GAIL INDIA LIMITED

TECHNICAL SPECIFICATION FOR GEOTECHNICAL SURVEY


GAIL-STD-CV-DOC-TS-014

Rev	Date	Purpose	Prepared By	Checked By	Approved By
0	22.01.19	ISSUED FOR BID	SS	UN	SKK



CONTENTS

1.0	INTRODUCTION.....	3
2.0	SCOPE OF WORK	3
3.0	FIELD INVESTIGATION.....	3
4.0	LABORATORY TESTS	4

TECHNICAL SPECIFICATION FOR GEOTECHNICAL SURVEY	Doc No.	Rev	
	GAIL-STD-CV-DOC-TS-014	0	
	Page 2 of 5		

1.0 INTRODUCTION

This specification deals with the Geotechnical Survey work for development of terminals. The plan for Geo-technical Survey is drawn with a view to obtain sufficient data regarding the engineering properties of soil supporting the foundation for equipment and structures and to plan the various facilities.

2.0 SCOPE OF WORK

The scope of services of the contractor for undertaking soil investigation work shall cover all the work connected with soil exploration program at the proposed terminal including the setting out of locations of the various exploration points from reference point, conducting all field investigations at site, collection of soil and water samples, field and laboratory tests and submission of final reports. All field investigation, laboratory tests and reports etc. shall be done in accordance with the latest relevant Indian Standard Codes.

3.0 FIELD INVESTIGATION

This specification deals with Field Investigation/ tests and laboratory tests involved in ascertaining soil stratification & engineering properties of the soil at proposed project site. The field investigations/ tests comprise of the following:-

EXPLORATORY BORE HOLES


There shall be one borehole at specified Terminal / plot. The location of these shall be indicated by Engineer before commencement of field activities. The location and number of these boreholes can be altered at site, if found necessary. All boreholes shall be of 150 mm diameter and shall be sunk into soil to a depth of 10m or up to refusal strata, whichever is earlier. The exploratory work at site shall be carried out by using shell and auger equipment. Disturbed samples for boring shall be collected every 1.5m or change in stratum and representative samples placed systematically for proper logging of the strata. The existing ground level shall be marked in terms of RL. Proper logging shall be done with description of different strata encountered with their reduced levels. All boreholes after completion of work shall immediately be filled in with a mixture of bentonite slurry and clay-sand mixture.

UNDISTURBED SAMPLING

In cohesive and semi-cohesive soils, undisturbed samples conforming to IS:2132 shall be taken using open tube samples with an area ratio of less than 15% so as to obtain a core of samples of 100mm diameters and 450mm long at every change in stratum or at intervals of 1.5m whichever is less. The tubes shall be marked and the ends of the sample tube shall be sealed properly with wax of thickness not less than 25mm and capped properly immediately after the sample is recovered from the boreholes to ensure no loss of moisture with time while retained in the tube. Sample tubes shall be immediately shifted to the laboratory for testing.

STANDARD PENETRATION TEST (SPT)

Standard Penetration Test shall be performed at the base of boreholes as per IS: 2131 with the first test at a depth of 0.5 m and thereafter at every change in stratum or at intervals of 1.5 meter whichever is less in both cohesive and non-cohesive soil. The S.P.T. shall also be conducted at termination depth of Borehole. Test may also be required to be carried out in compact sand which in normal terminology will be refusal strata. No. of blows required to penetrate every 150mm shall be recorded in case of normal sand, silt or clay as per IS:2131.

TECHNICAL SPECIFICATION FOR GEOTECHNICAL SURVEY	Doc No.	Rev	
	GAIL-STD-CV-DOC-TS-014	0	
	Page 3 of 5		

In case of dense/ hard stratum, the penetration (in mm) for every 20 blows per test shall be recorded. All these field records are to be submitted along with bore logs. Bent rods and damaged/ defective nipples shall not be used for the test and shall be replaced immediately by proper ones. Centering spacers shall be used at every 6 meters or at smaller intervals in depths to reduce the effect of whipping of rods. Samples collected in process of conducting S.P.T. shall be preserved as disturbed sample. Graphs shall be drawn for each penetration test. Collection of undisturbed samples and conducting S.P.T. tests will be done alternatively.

DISTURBED SAMPLES

Representative disturbed samples obtained from boring at every 1.5 meter interval in depth or change in stratum shall be placed in suitable jars labeled properly for onward transmission to the laboratory. These samples shall be sent to the laboratory immediately after the boring is complete. All S.P.T. samples shall also be similarly preserved.

STANDING GROUND WATER LEVEL

Records shall be maintained of the level at which water is struck and the level of any rapid in flow shall also be recorded. On reaching such level the borehole shall be left open for a period of two hours to observe the rise of water in the casing. Boreholes can be continued thereafter, upto the end of the day. The level of the water in the casing at the end of the day and at the beginning of the next day shall be recorded properly. For studying the ground water table no drilling mud will be permitted for stabilizing the hole.

4.0 LABORATORY TESTS


Laboratory tests shall be conducted on selected samples collected from site to establish the physical and chemical properties of soil. Following tests shall be done as appropriate in accordance with latest relevant Indian code of Practice.

- (i) Natural moisture content
- (ii) Void ratio
- (iii) Liquid plastic and shrinkage limits
- (iv) Specific gravity
- (v) Dry density and bulk density
- (vi) Direct Shear test
- (vii) Consolidation/ swelling test
- (viii) Particle size analysis
- (ix) Chemical properties of the soil

ATTERBERG LIMITS

Liquid and plastic limit tests shall be conducted on all cohesive soils for classification purposes and for predicting engineering properties. The results of limit tests shall be plotted on the plasticity chart of A. Cassagrande. Shrinkage limit shall also be determined for a few soil samples.

PARTICLE SIZE ANALYSIS

TECHNICAL SPECIFICATION FOR GEOTECHNICAL SURVEY	Doc No.	Rev	
	GAIL-STD-CV-DOC-TS-014	0	
	Page 4 of 5		

Particle size analysis shall be done on all clayey and sandy samples. Both sieve and hydrometric analysis shall be conducted and gradation curves shall be plotted to show the particle size distribution.

SHEAR TESTS

Shear tests shall be conducted on the undisturbed samples. A few unconfined compression tests shall be conducted on clayey samples but the majority of clayey samples in un-drained condition shall be subjected to tri-axial tests. The cohesion values and angle of internal friction are to be determined either by Mohr's circle or by any other method. Particular attention shall be paid for conducting tri-axial tests, each of which shall be done on a minimum of 3 specimens. Specimens shall be prepared by trimming and not by pushing small tube in a large tube.

CONSOLIDATION TESTS

A few consolidation tests shall be carried out on undisturbed samples of clayey soil, to estimate the settlement of foundation from "e-log p" curves, compression index - C_c and coefficient of consolidation - C_u. Consolidation test shall be done in manner that will not allow the sample to swell.

SWELLING TEST


For soils of expansive nature, swelling tests on a few samples shall be selected for conducting swelling test to determine swelling pressure and magnitude.

SPECIFIC GRAVITY AND BULK DENSITY

These shall be determined as per the standard procedures.

CHEMICAL ANALYSIS OF SOIL

Water samples from a few bore holes shall be taken and chemical analysis shall be done for sulphate, chloride content and pH value, particularly to determine the aggressiveness to concrete, steel and GI pipes. Care shall be taken to ensure that they are not diluted with rain or surface water during recovery from the boreholes. Similarly, a few soil samples shall be chemically tested to determine the sulphate contents, chloride content and pH values and other aggressive components as per IS - 2720.

TECHNICAL SPECIFICATION FOR GEOTECHNICAL SURVEY	Doc No.	Rev	
	GAIL-STD-CV-DOC-TS-014	0	
	Page 5 of 5		



GAIL INDIA LIMITED

**TECHNICAL SPECIFICATION
FOR
WATER SUPPLY & SANITARY WORKS**

GAIL-STD-CV-DOC-TS-015

0	23.01.19	ISSUED FOR BID	SS	UN	SKK	
Rev	Date	Purpose	Prepared By	Checked By	Approved By	

TABLE OF CONTENTS

1.0 REFERENCE CODES	3
2.0 WATER SUPPLY WORKS.....	3
3.0 SANITARY WORKS.....	7
4.0 BRICK MASONRY CHAMBERS FOR DRAINAGE.....	9
5.0 SEPTIC TANKS.....	10
6.0 SOAK PIT.....	10
7.0 CEMENT CONCRETE HUME PIPES.....	10
8.0 OPEN SURFACE DRAINS.....	10
9.0 STONE WARE GULLY TRAP.....	11
10.0 LAYING OF RCC PIPES FOR SEWER SYSTEM.....	11
11.0 PLUMBING AND BUILDING DRAINAGE.....	11

WATER SUPPLY & SANITARY WORKS

1.0 REFERENCE CODES

IS: 774: Specification for Flushing Cistern for Water Closets and Urinals.

IS: 2064: Code of Practice for Selection, Installation and Maintenance of Sanitary appliances.

IS: 2548 Part-1: Specification for Plastic Seats and Covers for water closets Part-1: Thermo set seats and covers

IS: 2548 Part-2: Specification for Plastic Seats and Covers for water closets Part-1: Thermoplastic seats and covers

IS: 2326: Specification for automatic flushing cistern for urinals (other than plastic cisterns)

IS: 9758: Specification for flush valves and fittings for water closets and urinals

2.0 WATER SUPPLY WORKS

I. BIB AND STOP COCKS

Bib cocks and stop cocks of screw down type shall conform to IS: 781. All taps shall be of heavy grade and chromium plated brass. Chromium plating conform to the best quality as per IS: 1068 (latest edition).

II. G.I. PIPE & FITTINGS


All G.I. Pipes and fittings shall conform to IS: 1239 and shall be of medium grade (Class-B) for water supply services. All screwed tubes and sockets shall have pipe thread in accordance with the requirement specified in IS: 554.

All fittings shall be of malleable galvanized iron approved by the Engineer-in-Charge. Fittings in G.I. line shall include all couplings, elbows, tees, bends, union, nipples, reducers, rubber insertion etc. No extra payment shall be made for these fittings. Payment shall be made on running meter basis. All pipes above ground shall be fixed with G.I. holder bat clamps clear off the wall at 1 to 2 meters centre to centre as directed. All visible pipes and clamps inside and outside the building shall be painted with two coats of white paints or aluminum paint as directed by the Site Engineer. No extra payment shall be made for clamps, hooks, cutting holes in walls, chasing and making good the same with 1:3 cement mortar (1 cement : 3 coarse sand) and for painting. All couplings, elbows, tees, bends, union, nipples, reducers etc. shall also be deemed to be included and covered by the rates for running meters of G.I. pipes.

All underground pipes shall be laid in trenches of 60 cm depth and 30 cm width with an all round sand cushion of 10 cm. Before laying, the pipes shall be painted with two coats of anticorrosive bitumen mastic paint of approved quality. The excess earth after filling the trenches shall be disposed off as directed by Site Engineer.

After laying and jointing, the pipes and fittings shall be inspected under working conditions of pressure and flow. Any joint found leaking shall be redone and all leaking pipes shall be replaced at no extra cost. The pipes and fittings after laying shall be tested under a gradually applied test hydraulic pressure of 6 kg/sq.cm. The pipe and joints shall be capable of maintaining the above pressure for at least half an hour without any indication of fall of pressure. All expenses in carrying out the test shall be borne by the Contractor.

III. POLY PROPYLENE RANDOM CO-POLYMER (PPR) PIPES

WATER SUPPLY & SANITARY WORKS	Doc No.	Rev	 844 of 1517
	GAIL-STD-CV-DOC-TS-016	0	
	Page 3 of 12		

The PP-R is a bonded, multilayer pipe consisting of different layers of the pipe:

- (a) The inner-most layer of the pipe to be an Anti – bacterial to prevent bacteria growth inside pipe surface.
- (b) The middle layer to be of plain PP-R which is neither in contact with Water and nor under direct effect of the atmospheric conditions.
- (c) The outer-most layer to be of U.V. stabilized PP-R to prevent the pipe surface from sunlight under exposed atmospheric conditions.

The pipes should in general be conforming to the requirements of IS: 15801 except that specified with in nomenclature of the item. The pipes should have smooth inner surface with no contracting diameters. The pipes shall be cleanly finished, free from cracks and other defects. The pipes shall be clean and well cut along ends after taking into consideration the desired length, using the pipe scissors.

The Polypropylene used for manufacturing the pipe shall conform to the requirements of IS: 10951 and IS: 10910. The specified base density shall be between 900 kg/m³ and 910 kg/m³ when determined at 27°C. The resin should be mixed with sufficient quantity of colour master batches. The colour master batch should be uniform throughout the pipe surface. The standard dimension ratio (SDR) i.e. ratio of the nominal outer diameter of a pipe to its nominal wall thickness should be 7.4/11 as given in the item.

Pipe diameter, wall thickness, ovality, tolerances etc. shall conform to CPWD specifications.

Fittings: Plain fittings, Chrome plated brass threaded fittings and Valves shall be as per nomenclature of item or as directed by Engineer- in- Charge.


(a) The plain fittings shall be Polypropylene Random Copolymer and comply with all the requirements of the pipes. The plain fittings shall comprise of Socket, Elbow, Tee, Cross, Reducer socket, Reduction Tee, End Cap, Crossover, Omega, Threaded Plug and wall clamps in available sizes.

(b) The Chrome Plated Brass threaded fittings shall be Chrome Plated Brass threaded piece molded inside Polypropylene random copolymer fitting. The maternal shall comply with all the requirements of the pipes. The Chrome plated Brass threaded fittings shall comprise of Socket, Elbow and Tee (Male & Female) in available sizes. These are the fittings for C.P. connections and for continuations from Galvanized Iron Pipes and fittings.

(c) The valves shall be Polypropylene Random Copolymer Valves. The valves comprise of Gate Valve, Ball Valve, Concealed stop valve and Chrome Coated Valve in available sizes.

The other Brass/Bronze Valves can be connected to Polypropylene Random pipes using C.P. Brass threaded fittings of desired sizes.

Laying and Jointing of Pipes and Fittings: The pipes and fittings shall run in wall chase as specified. Pipes shall run only in vertical or horizontal alignment as far as possible. The installation of pipes is similar to that of the metal pipes with the only difference in the jointing procedure. The jointing of the PP-R pipes and fittings shall be done by fusion welding by means of a welding machine by trained/ experienced personnel as per approved welding procedure. The quality of each installation system ultimately depends on the tightness, stability and lifetime of its connections. The pipe of the desired length is cut using the pipe scissors. The proper heating piece is taken and mounted on the welding machine. The welding device is switched on - Control lamp and switch lamp will lit. When ready, control lamp gets off, which means that welding temperature of 260 Degrees ±10 Degrees Celsius has been reached. The pipe end and the fitting to be welded are heated on the welding machine. Before heating the fitting and the pipe, the dirty welding tools, pipe and fitting are cleaned with a cloth. When heated up (with heating time as per the Table shown below), the pipe and the fitting is removed from the welding machine and the two pieces connected together by applying a little pressure without twisting. The joint is allowed to cool down for a few seconds. The welding process is that safe because the properly heated part of Polypropylene create a homogeneous connection. The same procedure shall be adapted for exposed as well as concealed fittings. The Crossovers may be used wherever the overlapping of the PP-R pipes is required. The fixing shall be done by means of Wall Support Clamps

WATER SUPPLY & SANITARY WORKS	Doc No.	Rev	 845 of 1517
	GAIL-STD-CV-DOC-TS-016	0	
	Page 4 of 12		

keeping the pipes about 1.5 cm clear of the wall where to be laid on the surface. Where it is specified to conceal the pipes, chasing may be adopted. For pipes fixed in the shafts, ducts etc. there should be sufficient space to work on the pipes with the usual tools. Pipe sleeves shall be fixed at a place the pipe is passing, through a wall or floor for reception of the pipe and allow freedom for expansion and contraction and other movements. Fixed supports prevent any movement of the pipe by fixing it at some points. Fittings are used in creating the fixed points. Fixed supports must not be installed at bending parts and the direction changes must be done in the pipe itself. In between the fixed supports some arrangements must be done to compensate any potential elongation or shrinkage in the pipe length. For exposed straight pipes having length more than 5 meters, to compensate the expansion an expansion piece must be used.


Piping Installation Support: Piping shall be properly supported by means of wall support clamps as specified and as required, keeping in view the proper designing for expansion and contraction. Risers shall be supported at each floor with clamps. Due to high coefficient of thermal expansion the heat losses though the pipes is highly reduced. Therefore, for internal Bathroom hot geyser water distribution lines, the insulation is often not required.

Installation of Water Meter and Valves: PP-R lines shall be cut to the required lengths at the position where the meter and Valves are required to be fixed. Suitable C.P. Brass threaded fittings shall be attached to the pipes. The meter and Valves shall be fixed in a position by means of connecting pipes, jam nut and socket etc. The stop cock shall be fixed near the inlet of the water meter. The paper disc inserted in the ripples of the meter shall be removed. And the meter shall be installed exactly horizontally or vertically in the flow line in the direction shown by the arrow cast on the body of the meter. Care shall be taken not to disturb the factory seal of the meter. Wherever the meter shall be fixed to a newly fitted pipeline, the pipeline shall have to be completely washed before fitting the meter.

Testing: All water supply system shall be tested to Hydrostatic pressure test. Maximum operating pressure at varying degree of temperature shall be as per CPWD specifications. The pressure test is performed in 3 steps being preliminary test, main test and final test. For the preliminary test a pressure which is 1.5 times higher than the possible working pressure is applied and this is repeated two times in 30 minutes with intervals of 10 minutes. After a test period of 30 minutes, the test pressure must not be dropped more than 0.6 bar and no leak must occur. Main test follows the preliminary test. Test time is two hours, in doing so the test pressure taken from the preliminary test must not have fallen more than 0.2 bar. After completion of these tests, the final test comes which has to be done under a test pressure of 10 bars and 5 bar in the interval of 15 minutes. Between the respective test courses, pressure has to be removed. All leaks and defects in joints revealed during the testing shall be rectified and got approved at site by retest. Piping required subsequent to the above pressure test shall be retested in the same manner. System may be tested in sections and such sections shall be entirely checked on completion of connection to the overhead tanks or pumping system or mains. In case of improper circulation, the contractor shall rectify the defective connections. He shall bear all expenses for carrying out the above rectifications including the tearing up and refinishing of floors and walls as required. After commissioning of the water supply system, contractor shall test each valve by closing and opening it a number of times to observe if it is working efficiently. Valves which are not working efficiently shall be replaced by new ones.

IV. GUN METAL WHEEL VALVE

The wheel valves shall be of heavy pattern and of best approved quality and shall conform to IS: 778 and tested at a pressure of 17.5 kg/sq.cm. The rate shall be per number basis; the rate shall include supplying and fixing valve in position as per drawing or direction of Site Engineer.

WATER SUPPLY & SANITARY WORKS	Doc No.	Rev	 846 of 1517
	GAIL-STD-CV-DOC-TS-016	0	
	Page 5 of 12		

V. C.I. SLUICE VALVE

The Sluice valve shall be class-I, and inside non-raising screw type double flanged with hand wheel. These shall comply in all respect with Indian Standard specification IS: 780 (1963).

The body, domes, covers, wedge gate and stuffing box shall be of good quality cast iron. The bodies, spindles and other parts shall be truly machined with surfaces smoothly finished. The area of the water way of the fittings shall be not less than the area equal to the nominal bore of the pipe. The valve shall be marked with an arrow to show the direction of turn for closing of the valve. The valve shall be fully examined and cleaned off all foreign matter before being fixed. The fixing of the valve shall be done by means of bolts, nuts and 3 mm rubber insertions or chemically treated compressed fibre board 1.5 mm thickness and weight not less than 0.183 gm/sq.cm. with the flanges of spigot and the socketed tail pieces drilled to the same specification. The tail pieces shall be confirm to IS: 1938. These shall be jointed to the pipe line by means of lead caulked joints.

Rising Stem Type CI Sluice gate valves shall be conforming to IS: 14846 and as per details given below. The Sluice gate valves shall have extended stem of 2.5 M with limit switches for installation in tank dyke drainage system to isolate each tank dyke area to get 'Open' & 'Close' indication of the tank dyke drain valves in the Control Room.

VI. BRASS FERRULES

The ferrules for connections with C.I. main shall generally conform to IS: 2692. It shall be of non-ferrous materials with C.I. Bell mouth cover and shall be of nominal bore as specified. The ferrule shall be fitted with screw and plug with valve capable of completely shutting off the water supply to the communication pipe if and when required.

For fixing ferrule, the empty main is drilled and tapped at 45 degree to the vertical and ferrule screwed in. The ferrule must be so fitted that no portion of the projection of the shank shall be left projecting within the main into which it is fitted. Payment shall be made per number of ferrule supplied and fixed. The rate shall include necessary excavation, back filling, drilling, tapping, making connections with the G.I. pipe, including supply of ferrule, tools, testing etc. complete in all respect.

VII. CAST IRON PIPE CLASS LA

Centrifugally cast C.I. spun pipes shall conform to IS: 1536-1960 and specials shall conform to IS: 1538-1960. The pipes shall be spigot and socket end type class LA and withstand hydraulic test pressure 20 kg/sq.cm. Pipes and specials should be sound with smooth inner and outer surface, and shall ring clearly when struck with light hammer; the end of the pipes and specials shall be reasonably square to their axis. All pipes and special shall be painted with two coats of anti-corrosive paint before laying.

The spigot end of the pipe shall be inserted in the socket and right upto the back. Spun yarn shall be of clean hemp and of good quality. Spun yarn twisted in rope of uniform thickness and soaked in hot coal tar, shall be inserted carefully into the socket in two or three laps. Lead conforming to IS: 782-1962 in molten state shall then be poured into the joint filling same in one pouring. The lead shall be then caulked in by proper tools to make it even all-round. Quantity of lead used for various sizes of pipes shall be as mentioned below:

Pipe size		Quantity of lead in Kg. per joint
100 mm diameter	-	2.72
80 mm diameter	-	2.00

The pipe shall be laid on an average depth of 1.0 m below ground level as shown in drawing or as instructed by Site Engineer. Earthwork in excavation and back filling shall be done in the manner as specified in the relevant item, covering earthwork in excavation and backfilling. Tees, bends, reducers, end caps etc. shall be provided in the pipeline as per the drawing or as directed by the Site Engineer.

Cement concrete thrust blocks of suitable design as approved by the Engineer-in-Charge shall be provided at 450 and 900 bends of the pipes.

After jointing the pipes, the whole line shall be tested at a pressure of 10 kg./sqm for 24 hours, without pressure drop. The line shall be disinfected with a liquid chlorine solution; hypochlorite of lime (bleaching powder) may be used. The dose should not be less than 50 ppm of available chlorine and time of contact shall not be less than 8-12 hours as residual of not less than 5 ppm shall be produced in all parts of line. The pipe line shall be thoroughly flushed with clean water afterward. Payment shall be made on running meter basis for the actual length of the pipe laid including specials. The rate shall be inclusive of cost of all labour, materials, equipment, transportation, earthwork in excavation and backfilling etc. necessary for laying and jointing pipes and specials, concrete thrust block, hydraulically testing and disinfecting the line as per direction and satisfaction of the Site Engineer.

VIII. uPVC PIPELINE SYSTEM

All uPVC piping shall conform to IS: 4985-2000 and fittings shall conform to IS: 7634 (Part I). The pipeline shall be laid at a minimum depth of 0.6m from FGL and at road crossings a minimum cover of 1.20m shall be maintained.

The pipe laying and jointing shall be done in accordance with IS: 7634 (Part-III) – 1975. Pipes and fittings shall be jointed joints accurately without any stress to achieve leak proof stress.

The test shall be done in accordance with IS: 2065 – 1983. The test pressure shall be 5 kg/cm² or the maximum working pressure + 50%, whichever is greater. The test pressure shall be maintained for at least an hour.

3.0 SANITARY WORKS


I. EUROPEAN TYPE WATER CLOSET

The Water closet shall be floor mounted or wall hung type as indicated in SOR/Scope of Tender.

Water closet shall be of white vitreous china clay or other approved colour and shall be of wash down type conforming to IS:2556 Part VIII and as described in the Schedule of Rates/Tender Scope. The closet shall be of one piece construction and have integral flushing rim of suitable type. For floor mounted type, each water closet shall have four holes with its pedestal for fixing to the floor. The water closet shall have an integral S or P trap outlet with at least 50 mm water-seal. The closet shall be provided with 15 liters vitreous china clay low level flushing cistern of matching colour with all fittings, MS or C.I. brackets and 40 mm diameter flush bend pipe. The closet shall be provided with black plastic seat and lid.

Floor mounted water closet shall be fixed to the floor by means of 75 mm long 6.5 mm diameter counter sunk bolts and nuts embedded in the floor concrete. The cisterns shall be fixed on C.I. cantilever brackets which shall be firmly embedded in the wall in cement mortar 1:4 (1 cement: 4 fine sand). The cistern shall be connected to the closet by means of 40 mm diameter white porcelain enameled flush bend with rubber inlet connection.

II. INDIAN TYPE WATER CLOSET

WATER SUPPLY & SANITARY WORKS	Doc No.	Rev	 848 of 1517
	GAIL-STD-CV-DOC-TS-016	0	
	Page 7 of 12		

Water closet shall be of vitreous china clay, of approved colour. Each pan shall have an integral flushing rim of suitable type. It shall also have an inlet or supply horn for connecting the flush pipe. The flushing rim and inlet shall be of self draining type. The pan shall be fitted with 100 mm S.C.I. trap 'P' or 'S' type with approximate 50 mm water seal. White glazed foot rest and a high level C.I. flushing cistern of 15 liters capacity with all fixtures.

The pan shall be sunk into the floor and embedded in a cushion of average 15 cm cement concrete 1:5:10 (1 cement : 5 fine sand : 10 graded brick ballast 40 mm nominal size). The concrete shall be left 115 mm below the top level of the pan so as to allow for flooring and its bed concrete. The joint between the pan and trap shall be made leak proof with cement mortar 1:1 (1 cement: 1 fine sand). Fixing of flushing cistern shall be as per clause 1.3.0. The flush pipe shall be of galvanized steel tube of 32 mm nominal internal diameter. The flush pipe from cistern shall be connected to pan by means of cement or putty joint. Cistern bracket flush-pipe and over-flow pipe shall be painted with two or more coats of white zinc paint. Foot rest of size not less than 25 x 13 x 3 cm of white glazed earthenware shall be set in cement mortar 1:3 (1 cement : 3 coarse sand). The position of the foot rest with the pan shall be as per the direction of the Engineer in Charge.

III. URINALS

Urinals shall be of white vitreous china clay flat back type conforming to IS: 2556 (Part- I). Urinal shall be of one piece construction with integral flushing rim. These shall be mounted on walls. The flushing inlet pipe connection piece shall be of PVC 15 mm diameter with brass union and CP. stop cock for cistern, 25 mm diameter CP. distribution pipe and waste pipe shall be 750 mm long 32 mm dia. G.I. pipe with necessary brass union and CP. brass screws shall be used for fixing the urinals. Fixing shall ensure that no liquid is left over in the pan after flushing. Urinals shall be connected to automatic flushing cistern either individually or in groups. For a set of three urinals one automatic flushing cistern of 15 liters capacity shall be provided.


IV. SINKS

The sinks shall be of vitreous china clay, of approved colour conforming to IS: 2556 (Part V) and shall be of the size 600mm x 450 mm x 250 mm. They shall be one piece construction including a combined overflow. The floor of the sink shall gently slope towards the outlet. The outlet in all cases shall be suitable for waste fittings having flanges of 88 mm diameter and the waste hole shall have a minimum diameter of 65 mm at the bottom to suit the waste fittings. Each sink shall be provided with a non-ferrous 50 mm diameter waste fitting. The sink shall have over flow of the weir type and the inverts shall be 30 mm below the top edge.

Each sink shall be provided with a waste plug, of suitable chain and stay plug chains shall be of brass wire of 1.8 mm with brazed over links approximately 13 mm in length and shall be chromium plated. It shall have an overall length from the collar to the stay of not less than 30 mm. There shall be triangular or D-shankle at each end, one of which shall be abraded to the plug and the other securely fixed to the stay. The 50 mm long shank of the waste shall be threaded to the full length to the underside of flange in each case. The waste fittings and plug fittings shall be chromium plated. The chromium plating shall be of grade B conforming to IS: 1068.

Sink shall be fitted on C.I. or M.S. brackets (conforming to IS:775) and the Brackets shall be painted white one coat of anti-corrosive priming, the sink shall be fixed at 800 mm above finished floor level or as directed by the Site Engineer.

V. WASH BASINS

WATER SUPPLY & SANITARY WORKS	Doc No.	Rev	 849 of 1517
	GAIL-STD-CV-DOC-TS-016	0	
	Page 8 of 12		

Wash basins shall be of white vitreous china clay flat back type conforming to IS: 2556 (Part IV). Wash basin shall be of one piece construction including a combined over flow. This shall be fitted on C.I. or M.S. brackets (conforming to IS: 775). The wall side shall be fixed well flushed with the plaster of wall and the joint, if any, shall be properly finished with mortar and painted white. The basin shall be provided with two C.P. brass pillar cocks, 32 mm dia. C.P. brass waste trap, C.P. brass chain, rubber stopper and 32 mm dia. C.P. brass waste pipe. The basin shall be fixed at 800 mm above finished floor level or as directed by the Site Engineer.

VI. BEVELLED EDGE MIRROR

The bevelled edge mirror shall be of best quality of 'Hindustan Pilkington' or equivalent make approved by Engineer-in-Charge. The size of the mirror shall be 600 x 450 mm and of thickness 6 mm. Mirror shall be provided with a backing of asbestos sheet of 6 mm thickness and fixed to wooden cleat with 4 C.P. brass screws.

VII. TOILET PAPER HOLDER

The toilet paper holder shall be of C.P. Brass of size 150 mm x 150 mm fixed with C.P. brass, screws over the wooden cleat. Chromium plating shall be of Grade B type conforming to IS: 1068 (latest edition). The payment shall be made on per number basis. The rate is inclusive of providing and fixing of toilet paper holder with screws, and making good the wall complete with all labour and material.

VIII. MARBLE PARTITION BETWEEN URINALS


The marble partition in between the two urinals shall be 25 mm thick, table rubbed and polished with round edges, light ash, pink on grey in colour. The partitions shall be pushed inside the wall upto 100 mm depth, and shall be fixed in C.M. 1:3 (1 cement : 3 fine sand) and M.S. bracket channel 2 Nos. embedded into the walls, as per drawing and directions. The payment shall be made on square meter basis of exposed portions only. The rate shall be inclusive of cost of all labour, material etc. involved for satisfactory completion of the above mentioned operations, and as per drawings and direction.

IX. TOWEL RAIL

The towel rail shall be of chromium plated and shall be of 20 mm dia. and upto 600 mm length. Aluminium brackets shall be fixed on both the sides. The rod shall be fixed with screws and wooden batten on the walls as directed. The mode of measurement shall be on number basis.

4.0 BRICK MASONRY CHAMBERS FOR DRAINAGE

Brick masonry chambers shall be constructed as per drawing true to dimensions. The chambers shall be 600 x 600 mm in size and of average 750 mm in depth. The brick work shall be with second class brick in cement mortar 1:4 (1 cement: 4 fine sand). Bed concrete shall be 100 mm thick cement concrete 1:4:8 (1 cement: 4 coarse sand: 8 grade stone aggregate). Brick work shall be plastered inside with cement mortar 1:3 (1 cement: 3 fine sand) finished with a floating coat of neat cement. Benching shall be done with Cement concrete 1:2:4 (1 cement: 2 fine sand: 4 graded stone aggregate 20 mm down) finished smooth with neat cement. The Chamber shall be covered with 100 mm thick slab in 1:2:4 Reinforced Concrete fitted with 540 mm diameter CI light duty cover. Cover shall be made free from casting & other defects. All sharp edges shall be removed and finished smooth. It shall be coated with 2 coats of anti-corrosive paints.

WATER SUPPLY & SANITARY WORKS	Doc No.	Rev	 850 of 1517
	GAIL-STD-CV-DOC-TS-016	0	
	Page 9 of 12		

5.0 SEPTIC TANKS

Specifications relating to earth work in excavation and filling, plain and reinforced concrete, brick work, plastering etc. shall be as per the specification mentioned under different clauses. Septic tanks shall be designed, tested and constructed as per IS: 2470 and detailed drawings true to dimension. Access opening shall be provided for de-sludging & inspection. The ventilating pipe shall be provided with pipe of at least 50mm dia. extended 2 meters above the nearest working platform level. For places where water table is at shallow depth and soak pits are not recommended, upflow filters as per drawings shall be constructed.

6.0 SOAK PIT

Soak pit shall be constructed as per the drawing. The earthwork in excavation shall be carried out to the exact dimensions as shown in the drawings. In the soak pit a honey comb dry brick shaft 45 x 45 cm and 292.5 cm high shall be constructed. Round the shaft within the radius of 60 cm shall be placed well burnt brick bats. Brick ballast of size from 50 mm to 80 mm nominal size shall be used. The construction of shaft and filling of the bats and ballast shall progress simultaneously. Over the filling shall be place a single matting, which shall be covered with minimum layer of 7.5 cm earth. The shaft shall be covered with 7.5 cm. Thick R.C.C. slab, and 22.5 cm wide and 12.5 cm deep brick edging with brick shall be provided as per drawing. The soak pit shall be connected with the septic tank by 100 mm diameter SW pipe. Relevant specifications for earthwork in excavation, filling, plain and reinforced concrete, brick work, plastering etc. shall be followed as mentioned herein before. However, the rate shall be inclusive of all the above operations.

7.0 CEMENT CONCRETE HUME PIPES

The pipes shall be with reinforcement conforming to IS: 458-1961 and class NP-3. The pipes shall be centrifugally cast, true to shape, straight, perfectly sound and free from cracks and flaws. The external and internal surfaces of the pipe shall be smooth and hard. Wall thickness of the pipes shall be 25mm, 30mm, 35mm & 100 mm for 250mm, 300mm, 450mm & 1000 mm diameter pipes respectively.


The pipes shall be laid across the road, pathways and similar locations for drainage purposes as per the drawing and instructions of the Site Engineer. Two adjoining pipes shall be butted against each other and adjusted in correct position. The collar shall be slipped over the joint, covering both pipes equally. The annular space shall be filled with a stiff mixture of cement mortar 1:2 (1 cement: 2 Fine sand).

Earthwork in excavation & back filling shall be done in manner as specified under relevant item covering earth work in excavation & back filling. No separate payment shall be made for excavation & backfilling.

8.0 OPEN SURFACE DRAINS

Open surface drains shall be constructed as per drawing. The earth work in excavation shall be carried out to the exact dimensions as shown in the drawings and described in schedule of Rates. Proper longitudinal slope shall be maintained as specified in the drawing or as directed by Site Engineer.

Specifications relating to earth work in excavation, filling, plain and reinforced concrete, brick work, plastering etc. shall conform to the specification described in relevant items herein before.

WATER SUPPLY & SANITARY WORKS	Doc No.	Rev	 851 of 1517
	GAIL-STD-CV-DOC-TS-016	0	
	Page 10 of 12		

9.0 STONE WARE GULLY TRAP

Gully trap shall conform to IS: 651-1965. These shall be sound, free from visible defects such as fire cracks or hair cracks. The glaze of the trap shall be free from crazing. They shall give a sharp clear ringing sound when struck with light hammer. There shall be no broken blister.

Each gully trap shall have one C.I. grating of square size corresponding to the dimensions of inlet of gully trap. It will also have water tight. C.I. cover with inside frame dimensions of 300 x 300 mm, the cover weighing not less than 4.52 kg. and the frame not less than 2.72 kg. The grating, cover and frame shall be sound and of good casting and shall have truly square machined seating faces.

Each gully trap shall be fixed on cement concrete foundation of 68 cm. Square, inside the excavated pit done true to level as per drawing or as directed by Site Engineer. The mix of the concrete will be 1:4:8 (1 cement: 4 fine sand : 8 Graded stone aggregate 40 mm nominal size). Joining of gully outlet to the branch drain shall be done as per clause 34.1.3 stated herein before.

After fixing and testing gully and branch drain, a brick masonry chamber 300 x 300 mm (inside) in brick work in cement mortar 1:4 (1 cement : 4 fine sand) shall be built with a 10 cm brick and round the gully trap from the bed of concrete upto ground level. The space between chamber wall and trap shall be filled in with cement concrete 1:4:8 (1 cement: 4 fine sand: 8 graded stone aggregate 40 mm nominal size). The upper portion of the chamber i.e. above the top level of the trap shall be plastered inside with Cement mortar 1:3 (1 cement: 3 coarse sand) finishing with a floating coat of neat cement.

10.0 LAYING OF RCC PIPES FOR SEWER SYSTEM

The pipes shall be centrifugal cast concrete pipes, socket and spigot type, with reinforcement and shall conform to IS: 458. Manufacturers Test Certificates of the procured pipes shall be submitted to Engineer-in-Charge based on which the pipes will be accepted. Engineer-in Charge may ask for additional testing of pipes, if required. The class of pipes shall be as specified on drawings.


The pipes should well defined surfaces and edges and their ends shall be perpendicular to longitudinal axis. The pipes shall be laid across the road, pathways and similar locations for drainage purposes as per the drawing and instructions of the Site Engineer. Two adjoining pipes shall be butted against each other and adjusted in correct position. The collar shall be slipped over the joint, covering both pipes equally. The annular space shall be filled with a stiff mixture of cement mortar 1:2 (1 cement: 2 Fine sand).

Earthwork in excavation & back filling shall be done in manner as specified under relevant item covering earth work in excavation & back filling. No separate payment shall be made for excavation & backfilling.

The pipeline shall be tested for water tightness of joints. The test shall be carried out from manhole. Pipe ends shall be closed and filled with water so that water level is up to the top of the manholes. The line shall be kept full for 24 hours. Observations shall be taken at one hour interval and if leakage is within 2.5 liters/km/hr/cm of diameter of pipeline, it shall be deemed to have passed the test. In case joints are found to leak, they shall be repaired or redone and test shall be repeated until the joints are approved by Engineer-in-Charge.

11.0 PLUMBING AND BUILDING DRAINAGE

H.C.I. NAHNI TRAP (FLOOR TRAP): Nahni trap shall be of heavy cast iron as per IS: 3989 with 100mm inlet and 80/ 100mm outlet with CP pressed steel grating. It shall be of self cleaning design.

WATER SUPPLY & SANITARY WORKS	Doc No.	Rev	
	GAIL-STD-CV-DOC-TS-016	0	
	Page 11 of 12		

Grating shall be of either hinged or screwed down type. Nahni trap shall be fixed in cement mortar 1:2 as directed by Engineer-in-Charge.


VALVE CHAMBER, INSPECTION CHAMBER & MANHOLES: The size and type of construction of valve chamber, inspection chamber and manholes shall be as specified in the drawings or items.

C.I. SOIL / WASTE PIPES: CI pipes shall be socket and spigot of standard quality conforming to IS: 1729. The supply shall include all necessary accessories e.g. bends, Y Junction, T- Junction, including plugs, shoes, cowls etc. complete. CI soil / waste pipe below ground or floor shall be encased with 50mm thick PCC M20 Grade concrete.

The spigot of the pipe shall be placed fully resting inside the socket and hemp caulked home to leave space for lead depth as specified. Lead conforming to IS: 782 in molten state shall then be poured into the joint filling the same in one pouring. The lead shall be caulked by proper tools to make it even all round. Depths of lead in the joints from the top of the socket shall be 37mm for 150mm dia. pipes, 25mm for 100 mm and 50mm diameter pipes. All pipes shall be fixed 25mm clear of the wall with MS bat clamps or as approved by the Engineer –in Charge. All holes in walls and floors shall be made good by cement concrete M-15 grade and should be leak proof. All soil and waste pipes shall be tested for leakage by hydraulic test.

All CI pipes shall be painted with two coats of paint of approved make and shade over a coat of primer. Earthwork in excavation, backfilling and removal of surplus earth/ debris shall be considered as a part of the work. No separate payment shall be made for the same.

M.S. RUNGS/ C.I. STEPS: The rungs for pits, manholes and septic tanks etc. shall be made out of M.S. bars conforming to Indian Standard and to the shape and size as shown in drawings. CI steps for manholes, if needed shall be as per IS: 5455. M.S. rungs shall be coated with 2 coats of approved bituminous paint.

WATER SUPPLY & SANITARY WORKS	Doc No.	Rev	 853 of 1517
	GAIL-STD-CV-DOC-TS-016	0	
	Page 12 of 12		



GAIL INDIA LIMITED

**TECHNICAL SPECIFICATION
FOR
ROOF TREATMENT & FLOOR TREATMENT (ANTI-TERMITE)**

GAIL-STD-CV-DOC-TS-016

Rev	Date	Purpose	Prepared By	Checked By	Approved By
0	23.01.2019	ISSUED FOR BID	SS	UN	SKK




TABLE OF CONTENT

1.0 Water Proofing.....3

2.0 Water Proofing with Atactic Poly Propylene (APP) Membrane.....4

3.0 Brickbat Cobia Chemical/ Acrylic Based Water Proofing.....5


4.0 Anti-Termite Treatment.....5

TECHNICAL SPECIFICATION FOR ROOF TREATMENT & FLOOR TREATMENT (ANTI-TERMITE)	Doc No.	Rev	
	GAIL-STD-CV-DOC-TS-016	0	
	Page 2 of 8		

1.0 WATER PROOFING

1 Water Proofing with Synthetic Felt

- 1.1 The surface to be treated shall have a minimum slope of 1 in 120 or as directed by Site Engineer. Grading shall be carried out with PCC 1:2:4 with 10 mm down aggregate to 40 mm average thickness and finished smooth. Such grading shall be paid separately under appropriate relevant item.
- 1.2 Junction between the roof and vertical face of parapet wall etc. shall be cased by running triangular fillets (gola) 75x75 mm size in PCC 1:2:4 (1 cement : 2 coarse sand : 4 graded stone aggregate 20 mm nominal size) admixed with 2% integral water proofing compound (by weight of cement) of approved make conforming to IS: 2645. At the drain mouths the fillets shall be suitably cut back and rounded off for easy application of water proofing treatment and easy flow of water. The fillets shall be measured or paid separately under appropriate relevant item.
- 1.3 For carrying over and tucking in the water proofing felts/ membranes into parapet wall etc. a horizontal groove 65 mm deep and 75 mm wide with its lower edge not less than 150 mm above the graded roof surface shall be left on the inner face of the same during construction if possible. When such groove has not been left, the same shall be cut out neatly. The base and rear of the groove shall be finished smooth with cement mortar 1:4 (1 cement: 4 coarse sand). Such cutting of groove and its finishing smooth shall be deemed to be part of the water proofing item and shall not be measured or paid separately. No deduction shall be made either, for making the groove when the later has already been left in masonry.
- 1.4 Tucking in of the water proofing felt/ membrane will be required where parapet wall exceed 45 cm in height from graded surface. Where the height is 45 cm or less, no groove will be required as the water proofing treatment will be carried over the top of the parapet wall to its full thickness. Edges of the felt or membrane shall be sealed with approved sealant. Such treatment shall not be measured or paid for separately.
- 1.5 The graded surface of the roof and concrete fillets and face of walls etc. shall be thoroughly cleaned with wire brushes & all loose scale etc. removed. The cracked surface shall be cut to 'V' Section, cleaned and filled up flush with cement mortar slurry 1:4 (1 cement : 4 coarse sand). Such cleaning of the surface or treating the crack shall not be paid for separately.
- 1.6 After grouting the crack, if any, with Cement grout, the primer (first layer of roof treatment) shall be brushed over the cleaned and dried surface before the bonding material is applied. The primer conforming to IS: 3384-1986 shall be applied at minimum rate of 0.30 litre/sqm.
- 1.7 The second layer shall consist of straight run bitumen conforming to IS: 73-1961 @ 0.70


TECHNICAL SPECIFICATION FOR ROOF TREATMENT & FLOOR TREATMENT (ANTI-TERMITE)	Doc No.	Rev	
	GAIL-STD-CV-DOC-TS-016	0	
	Page 3 of 8		

Kg/sqm applied hot (not less than 50 deg. c) as per IS: 7290-1979. The fourth layer shall consist of cold cut back bitumen @ 1 kg/sqm over felt film as per IS:7290. The fifth and final course shall consist of coarse sand @ 0.75 Kg/sqm over bitumen and subsequent preparation of the surface.

- 1.8 The self-finished synthetic felts to be used shall of approved make and shall conform to IS: 7941 (latest edition). It shall have 3 layers of LDPE/HDPE and 1 layer of 2 mm foam insulation. It shall be waterproof, acid resistant and fire resistant.
- 1.9 The felt film forming the 3rd course shall be cut to the required length, brushed clean of dust materials and laid out flat to eliminate cut, and subsequent stitching. The felt shall not be laid in single piece of very long length as they are likely to shrink. Length of 6 to 8 metres is suitable. Each strip shall have overlap of 7.5 cm, with the adjacent strip duly bonded with cold cut back adhesive @ 0.35 kg/sqm. All the overlaps shall be levelled and pressed down to level the unevenness. The felt shall be carried over up to the adjacent parapet wall as per clause 1.3 & 1.4 anchored thereto with cement grout by inserting the felt in the groove on the wall. Chase cutting on the wall for making grooves and anchoring grout shall be done by the Contractor without any extra cost to the owner.

2.0 Water Proofing with Atactic Poly Propylene (APP) Membrane

- 2.1 The roof grading shall be carried out as per clause nos.1.1 to 1.5 under above specifications for Water Proofing with Synthetic Felt.
- 2.2 After grouting the crack, if any, with cement grout, bitumen primer (first layer of roof treatment) shall be applied at minimum rate of 0.40 litre/sqm over the cleaned and dried surface before the bonding material is applied.
- 2.3 The second and fourth layer shall consist of blown type bitumen of grade 85/25 conforming to IS: 702 (latest edition) @ 1.20 Kg/sqm.
- 2.4 The third layer shall consist of Atactic Poly Propylene (APP) modified polymeric Membrane of approved make, 2.0 mm thick of 3.0 kg/sqm weight consisting of five layers, prefabricated with centre core as 100 micron HMHDPE film sandwiched on both sides with polymeric mix, protected on both side with 20 micron HMHDPE film. The membrane shall be waterproof, acid resistant and fire resistant.
- 2.5 The APP membrane shall be cut to the required length, brushed clean of dust materials and laid out flat to eliminate cut, and subsequent stitching. Each strip of the membrane shall have overlap of 100 mm with the adjacent strip, bonded with cold appropriate splice adhesive. All the overlaps shall be levelled and pressed down to level the unevenness. The membrane shall be carried over up to the adjacent parapet wall as per clause 1.3 & 1.4, anchored thereto with cement grout by inserting the membrane in the groove on the wall. Chase cutting on the wall for making grooves and anchoring grout shall be done by the Contractor without any extra cost to the owner. 2.0.6 The fifth/ top most layer shall be of 20 mm thick precast cement concrete tiles of mix 1:2:4 (1 cement: 2 coarse sand: 4 graded stone aggregates 12.5mm nominal thickness), which shall be grouted with cement mortar 1:3 (1 cement: 3 fine sand) mixed with 2% integral water proofing compound by weight of

TECHNICAL SPECIFICATION FOR ROOF TREATMENT & FLOOR TREATMENT (ANTI-TERMITE)	Doc No.	Rev	
	GAIL-STD-CV-DOC-TS-016	0	
	Page 4 of 8		

cement and laid over 12 mm layer of cement mortar 1:3 (1 cement: 3 fine sand). The top surface of the tiles shall be finished neat. The tiles shall be measured or paid separately under appropriate relevant item.

3.0 Brickbat Coba Chemical/ Acrylic Based Water Proofing


- 3.1 Integral cement based roof treatment/ waterproofing-cum-terracing of average 120mm thickness including preparation of surface as required for treatment of roofs, balconies, terraces etc. shall be carried out as follows:
- 3.2 The preparation of the base surface shall be done by thorough cleaning of roof surface with a wire brush and all foreign matter etc. shall be removed. Well defined cracks on the surface shall be cut to "V" section, cleaned and filled up with a paste of one or two component Polyurethane based crack filling compound and white cement in a ratio of 1:2. A layer of chicken wiremesh shall be placed.
- 3.3 A coat of neat cement slurry using 2.75 kg/sqm of cement admixed with proprietary water proofing compound confirming to IS: 2645 shall be applied over the RCC slab.
- 3.4 Laying cement concrete using broken/ brick bats 25mm to 100mm size with 50% of cement mortar 1:5 (1cement: 5 coarse sand) admixed with proprietary water proofing compound confirming to IS: 2645 over 20mm thick layer of cement mortar of mix 1:5 (1 cement: 5 coarse sand) admixed with proprietary water proofing compound confirming to IS: 2645 to required slope and treating similarly the adjoining walls upto 300mm height including rounding of junctions of walls and slabs.
- 3.5 After two days of proper curing applying a second coat of cement slurry admixed with proprietary water proofing compound confirming to IS: 2645.
- 3.6 Finishing the surface with broken china (glazed) laid joint less with cement mortar of mix 1:4 (1cement: 4 coarse sand) admixed with proprietary water proofing compound confirming to IS: 2645 and finally finishing the surface with trowel.
- 3.7 The whole terrace so finished shall be flooded with water for a minimum period of two weeks for curing and for final test. All above operations to be done in order as directed and specified by the Engineer-in-charge.
- 3.8 A Guarantee of minimum 10 years shall be provided against the performance of the finished waterproofing system.

4.0 ANTI TERMITE TREATMENT

- 4.1 Anti-termite treatment shall be carried out as per I.S. 6313 (Part II - 1981) and as mentioned herein below:

1.1 Materials

Any one of the following chemicals (as specified) in water emulsion shall be used.

TECHNICAL SPECIFICATION FOR ROOF TREATMENT & FLOOR TREATMENT (ANTI-TERMITE)	Doc No.	Rev	
	GAIL-STD-CV-DOC-TS-016	0	
	Page 5 of 8		

Name of Chemical Concentration	(Percent) by Volume
Chloropyrifos Emulsifiable concentrate(IS: 8944)	1.0

Chemicals are available in concentrated form in the market and concentration is indicated on the sealed containers. To achieve the percentage of concentration specified above, chemical should be diluted with water in required quantity before it is used. Graduated containers shall be used for dilution of chemical with water in the required proportion to achieve the desired percentage of concentration.

- 1.2 **Example:** To dilute chemical of 30 percent concentration, add 59 parts of water to one part of chemical to achieve 0.5 percent concentration. Chemicals shall be brought to site of work in sealed original containers. The material shall be brought in at a time, in adequate quantity to suffice for the whole or at least a fortnight's work. The material shall be kept in the joint custody of the contractor and the Engineer-in-Charge. The empties shall not be removed from the site of work, till the relevant item of work has been completed and permission obtained from the Engineer-in-Charge.

1.3 Pre-construction chemical treatment

This is a process in which chemical treatment is applied to a building in the early stages of its construction. Hand operated pressure pump shall be used for uniform spraying of the chemical. To have proper check for uniform spraying of chemical, graduated containers shall be used. Proper check shall be kept that the specified quantity of chemical is used for the required area during the operation.

1.4 Time of Application


Soil treatment should start when foundation trenches and pits are ready to take mass concrete foundations. Laying of mass concrete should start when the chemical emulsion has been absorbed by the soil and the surface is quite dry. Treatment should not be carried out when it is raining or soil is wet with rain or sub-soil water. The foregoing applies also in the case of treatment to the filled earth surface within the plinth before laying the subgrade for the floor.

1.5 Disturbance

The treated soil barriers shall not be disturbed after they are formed. If by chance, treated soil barriers are disturbed, immediate steps shall be taken to restore the continuity and completeness of the barrier system.

1.6 Treatment for Masonry foundations & Basements

- a) The bottom surface and the sides (upto a height of about 300 mm) of the excavations made for masonry foundations & basements shall be treated with the chemical at the rate of 5 litres per sqm of the surface area as shown in the drawing.

TECHNICAL SPECIFICATION FOR ROOF TREATMENT & FLOOR TREATMENT (ANTI-TERMITE)	Doc No.	Rev	
	GAIL-STD-CV-DOC-TS-016	0	
	Page 6 of 8		

- b) After the masonry foundations and the retaining walls of the basement come up, the backfill in immediate contact with the foundation structure shall be treated at the rate of 7.5 litre per sq.m. of the vertical surface of the sub-structure for each side. If water is used for ramming the earth fill, the chemical treatment shall be carried out after the ramming operation is done by rodding the earth at 150 mm centres close to the wall surface and spraying the chemical with the above dosage. The earth is usually returned in layers and the treatment shall be carried out in similar stages. The chemical emulsion shall be directed towards the concrete or masonry surfaces of the columns and walls so that the earth in contact with these surfaces is well treated with the chemicals as per drawing.

1.7 Treatment for RCC Foundation and Basements

In the case of RCC framed structures with columns and Plinth beams and R.C.C. basements the concrete mix is rich and dense (being 1:2:4 or richer), it is unnecessary to start the treatment from the bottom of excavations for columns and plinth beams. The treatment shall start at the depth of 500 mm below finished ground level. From this depth the back-fill around the columns, beams and R.C.C. basement walls shall be treated at the rate of 7.5 litres/Sqm of the vertical surface. The other details of treatment shall be as laid down in clause (b) above complete as per drawing.

1.8 Treatment of Top Surface of Plinth filling

The top surface of the filled earth within plinth walls shall be treated with chemical emulsion at the rate of 5 litres per sqm of the surface before the sand/subgrade is laid. Holes upto 50 to 75 mm deep at 150 mm centres both ways shall be made with crow bars on the surface to facilitate saturation of the soil with chemical emulsion.

1.9 Treatment of Junction of Wall and the Floor


To achieve continuity of the vertical chemical barrier on inner wall surfaces from the ground level, small channel 30x30 mm shall be made at all the junctions of wall and columns with the floor (before laying the subgrade) and rod holes made in the channel upto ground level 150 mm apart and the chemical emulsion poured along the channel @ 7.5 litres/sqm of the vertical wall or column surface so as to soak the soil right to bottom. The soil shall be tamped back into place after this operation.

1.10 Treatment of soil along external perimeter of building

After the building is complete, provide holes in the soil with iron rods along the external perimeter of the buildings at intervals of about 150 mm and depth 300 mm and filling these holes with chemical emulsion at the rate of 7.5 litres per square metre of vertical surfaces.


1.11 Safety precautions

All chemicals used for anti-termite treatment are poisonous and hazardous to health. These chemicals can have an adverse effect on health when absorbed through the skin, inhaled as vapours or spray mists or swallowed. Person using or handling these chemicals should be

TECHNICAL SPECIFICATION FOR ROOF TREATMENT & FLOOR TREATMENT (ANTI-TERMITE)	Doc No.	Rev	
	GAIL-STD-CV-DOC-TS-016	0	
	Page 7 of 8		

warned of these dangers and advised that absorption through the skin is the most likely source of accidental poisoning. They should be cautioned to observe carefully the safety precautions given below:

- 1.12 These chemicals are usually brought to site in the form of emulsifiable concentrates. The containers should be clearly labelled and should be stored carefully so that children and pets cannot get at them. They should be kept securely closed.
- 1.13 Particularly, care should be taken to prevent skin contact with the concentrates. Prolonged exposure to dilute emulsions should also be avoided. Workers should wear clean clothing and should wash thoroughly with soap and water, especially before eating and smoking. In the event of severe contamination, clothing should be removed at once and the skin washed with soap and water. If chemical splash into the eyes, they shall be flushed with plenty of soap and water and immediate medical attention should be sought.
- 1.14 The concentrates are oil solutions and present a fire hazard owing to the use of petroleum solvents. Flames should not be allowed during mixing.
- 1.15 Care should be taken in the application of chemicals to see that they are not allowed to contaminate wells or springs which serve as sources of drinking water.
- 1.16 A guarantee of minimum 10 years for effectiveness of treatment must be furnished by the Contractor.

TECHNICAL SPECIFICATION FOR ROOF TREATMENT & FLOOR TREATMENT (ANTI-TERMITE)	Doc No.	Rev	
	GAIL-STD-CV-DOC-TS-016	0	
	Page 8 of 8		



GAIL INDIA LIMITED

**TECHNICAL SPECIFICATION
FOR
SEWER DRAINAGE SYSTEM**

GAIL-STD-CV-DOC-TS-017

Rev	Date	Purpose	Prepared By	Checked By	Approved By
0	23.01.19	ISSUED FOR BID	SS	AA	SKK



TABLE OF CONTENTS

1.0	SCOPE	3
2.0	REFERENCE DOCUMENTS.....	3
3.0	GENERAL	3
4.0	DRAINS/SEWER	3
4.1	GENERAL	3
4.2	SETTING OUT DRAINAGE.....	3
4.3	EXCAVATION	4
4.4	BACK-FILL, CONSOLIDATION & REMOVAL OF SURPLUS EARTH	4
4.5	LAYING & JOINTING OF RCC PIPES FOR DRAINS	5
5.0	MANHOLES AND CHAMBERS.....	5
6.0	STONEWARE PIPES	5
7.0	CAST IRON PIPES DRAINS.....	6
8.0	HDPE PIPE.....	6
9.0	ACCEPTANCE CRITERIA	7
10.0	PAYMENT	7

SEWER DRAINAGE SYSTEM

1.0 SCOPE

The specification is intended to establish and define the materials and constructional requirements for sewer drainage system. All materials, fixtures and workmanship shall be in accordance with the relevant IS Codes and good Engineering practices.

2.0 REFERENCE DOCUMENTS

IS 456	Code of practice for plain and reinforced concrete
IS 458	Specification for Pre-cast Concrete pipes
IS-1363	Galvanized mild steel hexagonal head bolts and nuts
IS-1536 & 1537	Materials and Laying of cast iron piping & fittings
IS-1538 & 3989	
IS 1742	Code of Practice for Building Drainage
IS 2720 (All parts)	Method of test for soils
IS-3006	Stoneware pipe
IS-8008	HDPE pipe moulded fittings
IS-8360	HDPE fabricated fittings

In the event of conflict between various codes and standards, the most stringent condition will apply.

Unless specified otherwise the International System of metric units (S.I.) is to be used.

3.0 GENERAL

In accordance with the requirements of this specification, the contractor shall submit the details specified in the following paragraphs regarding the materials covered by this specification.

4.0 DRAINS/SEWER

4.1 GENERAL

Drains and / or sewers shall be laid to the alignment and grades as shown on the drawings, subject to any modifications done from time to time to meet the requirements of the works.

No deviations from the lines, depths of cuttings, gradient of drains or sewers shall be permitted except on the specific permission from the Owner / Consultant.

Before commencement of work, accurate surveys and levels of the grade shall be recorded. The excavation and filling as required on this grade for the purpose of laying drainage shall be measured on the basis of such records. The levels and surveys shall be related on the benchmarks and reference points decided by the Owner/Owner's Representative. Any instruments and technical assistance by way of manpower, required for such surveys and levels shall be made available whenever required. The materials required for preparation of benchmarks, pegs, pillars shall be furnished by the Contractor.

4.2 SETTING OUT DRAINAGE

Setting out of drainage shall conform to approved drainage plan/scheme and shall be set out with the aid of suitable bearing rods and site rails at intervals not more than 15 meters. Necessary materials for bearing rods and site rails and the instruments required for setting out and fixing such demarcations and reference points shall be provided by the contractor when checking is undertaken.

Technical Specification for Sewer Drainage System	Doc No.	Rev	864 of 1517
	GAIL-STD-CV-DOC-TS-017	0	
	Page 3 of 7		

All site rails and posts shall be of well-seasoned timber and such sizes as would be required for proper stability. The wooden members used for such purposes shall be planed and no warped or defective material may be used. The posts shall be kept sufficiently away from the edge of trenches and shall be properly embedded in concrete. Site rails shall be fixed to these posts by any approved means so that the same do not get disturbed. The centre lines shall be accurately marked on the site rails either by saw cut or paint marks.

At any time, at least 4 site rails shall be kept at correct level, and alignment along the centre line of drainage lines. Any additional site rails wherever required shall be provided as directed. Checking of levels and other marks on the site rails shall be done at least once a day.

The number of site rails and posts, their tiers material, mode of securing site rails to posts, tiers, sizes of timber to be used for site rails and bearing rods shall be approved by the Owner/Owner's Representative prior to use.

4.3 EXCAVATION

The excavation for drainage lines shall be open-cut unless otherwise necessary. The excavated soil shall be stacked at locations approved by the Owner / Consultants, and shall be removed beyond specified lead and brought back for back-fill whenever necessary. Necessary traffic diversions, barriers on the trenches, danger signals, watch and ward shall be provided by the contractor at his own cost.

The excavation carried out shall not be more than 20 meters or the distance between 2 successive Manholes, whichever is less. The least distance to which the trench to be excavated to full depth shall be five meters at a time.

It will be the responsibility of the contractor to clean the site off the shrubs, grass, soil tree roots, stumps and other burdens. The excavated soil shall be sprinkled with water to avoid dust nuisance. The contractor shall utilise half the width of the roads if the drainage work is by the side and / or within the road so that no obstruction is created to usual traffic.

Wherever necessary, the excavation shall be done deeper than required and the depth so made shall be filled with concrete or any other approved material to required level. Such cases, however, shall be dealt with only when permitted by the Owner/Owner's Representative. The sides of excavation shall be supported effectively by means such as timbering, sheet piling, which shall be closely joined in all loose or sandy strata and below sub-soil water level.

Any such temporary supports shall be removed when work is completed unless otherwise specifically called out. In soft or waterlogged areas, timbering shall be done with tongue and groove joint and shall be close driven to such depths below bed levels as ordered by the Owner/Owner's Representative. The timbering shall be done out of adequate section of wooden members, and shall be fully braced and strutted to avoid any falls, side slips, subsidence and all cavities shall be solidly filled-in. The contractor shall be responsible for the sufficiency of all timbering, bracing, sheet piling, strutting, and for all damages to the property and surroundings due to improper quality, strengths, placement, stability of the existing foundations shall be done by the Contractor, wherever necessary at his own cost. The responsibility due to improper shoring shall rest with the contractor.

At all times, during the progress of works, the contractor shall keep the trenches and excavated pits free of water which shall be drained in the most harmless manner. The contractor shall provide all the materials, plant, labour, fuel and other necessities for dewatering of trenches in the manner best suited to the particular condition. Any damages to surrounding structures and / or foundations due to improper dewatering shall be to the Contractor's account.

In addition to the necessities of proper excavation described above, all necessary precautions for the safety of persons and structures shall be taken by the contractor.

4.4 BACK-FILL, CONSOLIDATION & REMOVAL OF SURPLUS EARTH

After the drainage lines are constructed and tested, as per requirements, the trenches shall be backfilled in such a manner that it would avoid damages to the line laid. The back-filling shall be

Technical Specification for Sewer Drainage System	Doc No.	Rev	865 of 1517
	GAIL-STD-CV-DOC-TS-017	0	
Page 4 of 7			

done in layers of 150 mm thick approved borrow pit earth / sand / murrum and shall be properly watered and compacted to 95% of Procter Density.

The strutting and timbering shall be removed gradually to avoid side collapses.

4.5 LAYING & JOINTING OF RCC PIPES FOR DRAINS

Materials shall conform to relevant Indian Standards. Materials shall be approved by Owner / Consultants prior to placement of the same. RCC pipes shall conform to IS 458.

Pipes shall be laid on concrete bed or cradles, if necessary. Pipes shall be lowered gradually in trenches without causing damage to trenches and bed concrete / cradles. Extra earth at joints shall be scooped out to accommodate the collar. Pipes shall be laid to required levels and alignments throughout the length. In case pipes are laid on cradles, the underside of pipes shall be grouted with cement slurry and clean fine sand to avoid gaps and foreign materials prior to placement of pipes. Cradles shall be cured sufficiently prior to lowering of pipes and any damages caused to the same while lowering pipes shall be made good by the contractor.

Joints shall be made by using Standard Collars which shall have rough surface inside to have proper grip. The jointing material shall be cement mortar in proportion 1:2. Prior to sealing of joints, the joints shall be caulked with tarred hemp. The joints shall be finished with cement paste laid at 45° angle to the length, and shall be finished all round the periphery of the pipe. The interior of the pipes shall be cleaned off prior to testing of the drainage lines. In case of pipe with socket and spigot, the joint should be made with rubber ring conforming to IS 5382.

The joints shall be sufficiently cured and the drains shall be tested under a head of at least 2 meters of water above the crown of pipes. A strong approved colour shall be added to the water for testing. The defective pipes shall be replaced by good ones. All defective joints shall be made good by cutting and redoing. The joints where leakage persists shall be encased in P.C.C. 1:2:4 at the cost of the contractor whenever permitted. The test for leakage shall be conducted at least for an hour after application of water head.

5.0 MANHOLES AND CHAMBERS

Refer Specification for Plumbing & Building Drainage system

5.1 BRICKWORK

Refer Specification for Masonry Work

5.2 PLASTER

Refer Specification for Plastering Work

5.3 COVER

Refer Specification for Plumbing & Building Drainage system

6.0 STONEWARE PIPES

6.1 MATERIALS

The materials shall conform to IS-3006. They shall be of best quality stoneware, salt glazed, thoroughly burnt through the whole length and thickness, free from air-holes, fire blisters, cracks and other blemishes. They shall be of close and even texture. The manufacturer of the same shall be approved by the Owner/Owner's Representative prior to the procurement of these pipes. The pipe shall be stacked at approved locations and protected against all damage. All the pipes shall be close fitted and shall be tested before lowering them into trenches. Barrels, spigots and sockets shall be cleaned, scraped and brushed.

Technical Specification for Sewer Drainage System	Doc No.	Rev	866 of 1517
	GAIL-STD-CV-DOC-TS-017	0	
Page 5 of 7			

6.2 LAYING

The pipes shall be carefully and gradually lowered into the trenches and shall be laid to correct line level, and to the gradient as shown on the drawings.

The laying shall generally conform to IS-1742. Care shall be taken to prevent any foreign matter getting inside the pipes while lowering.

The pipe lines between the successive manholes shall be without any undulation horizontally and vertically. These pipes shall be laid, sockets facing up the gradient beginning at the lower end up and all sockets laid to levels in the holes or scoops out for the purposes. Each pipe shall be brought upto placement location, one at a time.

6.3 JOINTING

This shall be done generally as stated in IS: 1742. This shall be taken up only after the final alignment is made and gradients and inverts are checked by the Owner/Owner's Representative. A gasket of tarred hemp yarn shall be placed around the joint in the annular space between spigot and socket and the same shall be inserted by suitable tools and packed up properly. Additional strands of yarn shall be used if necessary. Such yarn shall be soaked in water prior to placement. Complete caulking operations with cement mortar in proportion 1:1 of cement to sand or as specified, shall be made in suitable quantities with wooden caulking tool to fill up the annular space completely and fully. On completion of sealing of the joints the same shall be struck off at 45 deg to the longitudinal axis of drain using same mortar and finishing the same by neat cement rendering. Whenever necessary, the pipes shall have PCC concrete bedding and / or concrete encasement.

Each joint shall be adequately cured by placing wet cloth or canvas wrapped around the joint and kept wet continuously for 3 days.

6.4 TESTING

Post curing the pipeline leakage test shall be carried out for the water head of 2 meters. The testing shall be deemed to be satisfactory if the water level does not fall by more than 12 mm in a length of approximately 90 meters of drain pipes within a period of one hour. Upon application of test head, all the joints shall be inspected for leakages which shall be repaired and the line retested in the similar manner.

After satisfactory tests of such line, the back-filling shall proceed in the similar manner described previously. For the back-filling prior permission shall be obtained from the Owner/Owner's Representative.

7.0 CAST IRON PIPES DRAINS

Materials and laying of pipes and fittings shall conform to IS: 1536, 1537, 1538, 3989. The pipes shall be embedded in concrete whenever necessary. The pipes shall be jointed either by cement mortar joints or by lead caulking or rubber ring as specified.

Other operations such as excavation, laying, testing and backfilling shall be as described in the preceding various paragraphs.

8.0 HDPE PIPE

HDPE pipes shall conform to IS 4984 with pressure rating of 6 kg / sq. cm. The HDPE pipe moulded fittings shall conform to IS 8008 and fabricated fittings to IS 8360. All fittings shall be fabricated at factory under ideal conditions. The pipe shall be embedded in PCC or sand wherever necessary. Hexagonal head bolts and nuts shall be of galvanized mild steel conforming to IS 1363. The pipe shall be jointed by heated tool welding (with mirror) or hot gas welding (with torch and filler rod) or electro fusion. Hydrotesting at 1.5 times the working

Technical Specification for Sewer Drainage System	Doc No.	Rev	867 of 1517
	GAIL-STD-CV-DOC-TS-017	0	
Page 6 of 7			

pressure and spark testing at 20-25 kV shall be carried out. All butt joints of fittings shall have FRP mesh for at least 100 mm on both side of the butt joint.

Contractor shall provide casing pipe of suitable sizes under the road as sleeves. The casing Pipe shall withstand vehicular traffic load. The contractor shall pull or push the pipe through the sleeve, provide required extra field joints and provide jute or outer Face hemp packing throughout the circumference of the outer face of HDPE pipe and inner Face of the sleeve pipe. The specification of the packing material shall be approved by the Owner/Owner's Representative prior to execution of the job.

9.0 ACCEPTANCE CRITERIA

The SEWER & DRAINAGE SYSTEM shall fulfill the above said criteria unless otherwise mentioned.

10.0 PAYMENT

Payments shall be as per SOR basis.

Technical Specification for Sewer Drainage System	Doc No.	Rev	868 of 1517
	GAIL-STD-CV-DOC-TS-017	0	
	Page 7 of 7		



GAIL INDIA LIMITED

**TECHNICAL SPECIFICATION
FOR
DOORS, WINDOWS AND VENTILATOR**

GAIL-STD-CV-DOC-TS-018

Rev	Date	Purpose	Prepared By	Checked By	Approved By
0	23.02.12	ISSUED FOR BID	SS	UN	SKK



TABLE OF CONTENTS

1.0	SCOPE	3
2.0	REFERENCE DOCUMENTS.....	3
3.0	GENERAL	4
4.0	TIMBER DOORS, WINDOWS AND VENTILATORS.....	4
5.0	SOLID CORE FLUSH DOOR SHUTTERS	4
5.1	CORE.....	4
5.2	PLYWOOD SURFACING	4
6.0	STEEL DOORS, WINDOWS AND VENTILATORS.....	5
6.1	FRAMES.....	5
6.2	SHUTTERS.....	5
6.3	PROCEDURE FOR FIXING	5
7.0	ALUMINIUM DOORS, WINDOWS AND VENTILATORS.....	6
7.1	MATERIAL	6
7.2	STANDARD SIZES, TOLERANCES AND DESIGNATION	7
7.3	FABRICATION	7
7.4	FINISHING.....	7
7.5	HANDLING, STORAGE	8
7.6	INSTALLATION.....	8
7.7	HARDWARE.....	8
7.8	DRAWINGS/DOCUMENTS.....	8
8.0	METAL ROLLING SHUTTERS AND ROLLING GRILLS.....	8
8.1	MATERIALS.....	9
8.2	FABRICATION	9
8.3	OPTIONAL FEATURES.....	11
8.4	OPERATION.....	11
8.5	ROLLING GRILLS.....	12
8.6	PAINTING.....	12
9.0	FIRE DOORS.....	12
10.0	PVC DOORS AND WINDOWS	13
11.0	ACCEPTANCE CRITERIA	13
12.0	PAYMENT	13
	APPENDIX I	14

DOORS, WINDOWS AND VENTILATOR

1.0 SCOPE

This Specification defines the requirements regarding material, sizes, construction, workmanship, finishes and installation for doors, windows, ventilators and rolling shutters.

2.0 REFERENCE DOCUMENTS

IS 205	IS- Non-ferrous metal butt hinges
IS 287	IS- Permissible moisture content for timber used for different purposes.
IS 303	IS-Plywood for general purposes.
IS 513	IS-Cold-rolled low carbon steel sheets and strips
IS 710	IS-Marine plywood
IS 733	IS-Wrought Aluminum and Aluminum Alloy Bars, Rods and Sections for General Engineering Purposes.
IS 737	IS-Wrought aluminum and aluminum alloy sheet and strip for general engineering purposes.
IS 848	IS-Synthetic resin adhesives for plywood (phenolic and aminoplastic).
IS 851	IS-Synthetic resin adhesives for construction work (non-structural) in wood.
IS 1003	IS-Timber panelled and glazed shutters (Part 1 & 2)
IS 1038	IS-Steel doors, windows and ventilators
IS 1081	IS-Fixing and glazing of metal (steel and aluminum) doors, windows and ventilators.
IS 1141	IS-Seasoning of Timber – Code of practice
IS 1161	IS-Steel Tubes for Structural purposes
IS 1200	IS-Method of measurement of building and civil engineering works, Part 2: wood work and joinery
IS 1285	IS-Wrought aluminum and aluminum alloy extruded round tube and hollow sections (for general engineering purposes).
IS 1328	IS-Veneered decorative Plywood
IS 1341	IS-Steel butt hinges
IS 1351	IS-Steel door frames
IS 1361	IS-Steel Windows for Industrial Buildings
IS 1477	IS-Painting of ferrous metals in buildings (Part I & 2)
IS 1642	IS-Practice for fire safety of buildings (general): Details of construction
IS 1948	IS-Aluminum Doors, Windows and Ventilators
IS 1949	IS-Aluminum Windows for Industrial Buildings
IS 2191	IS-Wooden flush door shutters (Part 1 & 2)
IS 2202	IS-Wooden flush door shutters (Part 1 & 2)
IS 2338	IS-Finishing of wood and wood based materials (Part 1 & 2)
IS 2553	IS-Safety glass. part 1 - General purpose.
IS 2835	IS-Flat transparent sheet glass.
IS 3087	IS-Wood particle boards (medium density) for general purposes.
IS 3097	IS-Veneered particle boards.
IS 3548	IS-Glazing in buildings.
IS 3614	IS-Fire check Doors (Parts 1 & 2)
IS 4020	IS-Door shutters, method of tests, Parts 1 to 17.
IS 4021	IS-Timber door window and ventilator frames- Specifications.
IS 4043	IS-Recommendations for symbolic designations of Direction of Closing and faces of Doors, Windows and Shutters
IS 4218	IS-ISO Metric Screw Threads (Parts 1 to 6)
IS 4351	IS- Steel Door Frames
IS 4454	IS-Steel wires for cold formed springs

IS 4537	IS-Figured, rolled and wired glass.
IS 4835	IS-Polyvinyl acetate dispersion based adhesives for wood
IS 4913	IS-Selection, Installation and Maintenance of timber doors and windows.
IS 5807	IS-Methods of tests for clear finishes for wooden furniture (Part 1 & 2)
IS 5986	IS-Hot rolled steel plates, sheets, strips and flats for flanging and forming operation
IS 6245	IS-Metal rolling shutters and rolling grills.
IS 6248	IS-Metal Rolling Shutters and Rolling Grills.
IS 7452	IS-Hot Rolled Steel Sections for Doors, Windows and Ventilators.
IS 12406	IS-Medium density fiber boards for general purposes.

In the event of conflict between various codes and standards, the most stringent condition will apply.

Unless specified otherwise the International System of metric units (S.I.) is to be used.

3.0 GENERAL

In accordance with the requirements of this specification, the contractor shall submit the details specified in the following paragraphs regarding the materials covered by this specification.

4.0 TIMBER DOORS, WINDOWS AND VENTILATORS

Refer specification for wood work.

5.0 SOLID CORE FLUSH DOOR SHUTTERS

5.1 Core

This shall conform to IS: 2202 (Part I). It shall be made from block board consisting of pinewood strips placed end to end. The width of each strip shall not exceed 25 mm. The strips shall be placed side by side and glued together to form a slab which shall then be glued between two or more veneers. The direction of the grain of the core blocks shall be at right angles to that of the adjacent veneers.

5.2 Plywood Surfacing

Commercial plywood or decorative plywood conforming to IS 303 and Grade I of IS 1328 respectively shall be used. Wherever mentioned, marine grade ply conforming to IS 710 shall be used.

Frame

This will be provided for holding the core. The width of the frame including lipping shall be 50 to 100 mm wide.

Gluing

Only phenol formaldehyde resin glue shall be used.

Vision Panel/Venetians

These shall be provided where specified on the drawings.

Hardware

Minimum hardware and fixtures shall be provided as per Table 1. Additional hardware shall be as per drawings.

6.0 STEEL DOORS, WINDOWS AND VENTILATORS

Steel Doors, Windows and Ventilators shall conform to IS 1038, IS 1361, IS 1081 and IS 4351 and shall be as per drawing issued by the EIC. The Contractor shall submit for the EIC's approval the shop drawing covering all dimensions, details of fabrication, construction and installation. After approval of shop drawing, the Contractor shall submit one or more samples of the fabricated item of each for the EIC's approval before mass fabrication. Engineer's comments if any shall be incorporated during mass fabrication.

6.1 Frames

Frames for Pressed Steel Door

Frames shall be manufactured out of 18 gauge (1.25 mm) Galvanized Steel Sheet. Each door frame shall have hinge jamb, lock jamb, head and, if specified in drawing angle threshold. The entire assembly shall be welded. Where threshold is not specified a temporary base tie shall be screwed to the feet of the frames. The base tie shall be out of 18 gauge MS pressed steel section adjusted within floor finish thickness. The frame shall have a brass lock strike plate with mortar guard. For single leaf door, there shall be a minimum of three rubber buffers fixed to the frame. The middle buffer shall be fixed on centre line of lock strike plate, and the other two 450 mm above and below the middle one. For double leaf door there shall be two rubber buffers in the head frame spaced 300 mm symmetrical about centerline of door, and two buffers in the rebate of the lock jambs.

Frames for Steel Windows and Ventilators

These shall conform to IS 1361 and shall be made from rolled sections to IS 7452. The steel shall conform to IS 2830 or IS 2831. The sections shall be cut and mitered. The corners of the frames shall be flash butt welded. The frames shall be square and flat. Neoprene or silicone seal weather strips shall be provided on the jambs.

6.2 Shutters

Pressed Steel Doors

These are made from 22 gauge (0.8mm) Galvanized Steel Sheets. These shall be provided on both sides of the shutter and reinforced by MS stiffener channels from inside. All four sides of the shutter shall have an MS channel as stiffener. The shutters shall be 45 mm thick unless specified differently on drg. Space between fully flush skin sheets shall be filled with core infill of honeycomb Kraft paper or polyurethane foam (PUF).


Vision panel and Venetians shall be provided, if specified, as indicated in the drawing. The vision panels shall preferably be of flush type – 2 nos, 5 mm thk each clear float glasses with spacer frame all around and desiccants in it. The fixtures shall be provided as specified in Table 2.

Windows and Ventilators

Sashes shall be square and flat. Sashes shall be constructed of sections which have been cut to the required length, mitered and welded at corners. All the corners shall be through right angles and welds shall be neatly cleaned off. Tee sections for glazing shall be tenoned and riveted into the frames and where they intersect, the vertical tee shall be broached and the horizontal tee threaded through it, and the intersection closed by hydraulic pressure.

6.3 Procedure for Fixing

Doors, Windows and Ventilators shall not be built in at the time the walls are constructed but shall be subsequently fixed into prepared openings, in accordance with IS 1081. Holes for fixing

Technical Specification for Doors, Windows & Ventilator	Doc No.	Rev	 873 of 1517
	GAIL-STD-CV-DOC-TS-018	0	
Page 5 of 16			

lugs are to be left or cut, and the doors and windows fixed after all the rough masonry and plaster work has been finished. The frames of units shall be set in the opening by using wooden wedges at the jambs, sill and head, and shall be plumbed in position. The lugs shall then be grouted into their holes with concrete (1:2:4).

When RCC members (beam or column) form the sides of the opening, rawl plugs shall be fixed in RCC and frames fixed to the members by 63 mm (2 ½”) x No. 10 galvanised wood screws. In the case of steel work openings a mild steel or hard wood fillet shall be provided around the frame to facilitate erection. The height of the unfinished opening shall depend on whether a threshold is required or not. While fixing the door, care shall be taken to see that at least 5 mm space is left between door shutter and finished floor.

Tolerance

The sizes of doors, windows and ventilators shall not vary by more than +1.5 mm than the size specified on drawings.

Finish – Doors

Frames and shutters shall be given a thermosetting polyester powder coating to 70 micron DFT or PU paint. Colour shades shall be as specified by architects on drawings.

Finish – Windows & Ventilators

After the fabrication of units all the steel surfaces shall be thoroughly cleaned free of rust, mill-scale, dirt, oil, etc. and two coats of red oxide zinc chromate primer shall be applied. Two coats of approved synthetic enamel shall be applied after installation of the door, window or ventilator.

7.0 ALUMINIUM DOORS, WINDOWS AND VENTILATORS

Aluminium Doors, Windows and ventilators shall conform to IS:733, IS 1948, IS:1949, and IS:1081 shall be as per drawings issued by the Engineer. The contractor shall submit for EIC's approval the shop drawings covering all dimension details of fabrication, construction and installation. After approval of shop drawings the contractor shall submit one or more samples of the fabricated item of each type for the EIC's approval before mass fabrication.

7.1 Material

Aluminium Alloy Extruded Sections

Aluminium alloy used in the manufacture of doors, windows and ventilators shall conform to IS designation HE 9-WP of IS:733 or HV9-WP of IS 1285. Aluminium Alloy AA 6063 of hardness T5 or T3 which has the following properties is also acceptable,

Density, kg/mm ³	Modulus of Elasticity, Mpa	Ultimate Tensile Strength, Mpa	Coefficient of Linear Expansion, m/m.k	0.2% Proof Stress, Mpa
2.7 x 10-8	69 x 103	185	23 x 10-8	110

The sectional properties of extruded sections shall be as given in IS 733 or as manufactured by Jindal, Hindalco or Bhoruka. The section shall be uniform in appearance, free from die lines and handling marks.

Glass panes

Glass panes shall be annealed or float glass as specified in the drawing and shall weigh at least 7.5 kg / m². Glass panes shall also be free from flaws, specks or bubbles. All panes shall have properly squared corners and straight edges. The sizes of glass panes for use shall be in accordance with Table I of IS: 1948.

Thickness of glazing to be used for various pane sizes shall be as follows:

Size of Pane Thickness of glazing

up to 1.2 sq.m 4 mm float glass

1.2 sq.m to 2.0 sq.m 5.5 mm float glass

above 2.0 sq.m 8 mm float glass

twin style entrance door 12 mm float glass

Heat strengthening or Toughening of glass wherever required shall be as indicated on drawings.

Screws, Fasteners

Screws and fasteners shall be of aluminium alloy or brass oxidised. Screw thread of machine screws used in the manufacture of aluminium doors, windows and ventilators shall conform to the requirement of IS: 4218.

For opaque portion of shutters panels can be of 12 mm thk marine ply cladded on both sides with 24 gauge aluminium sheet.

7.2 Standard sizes, tolerances and designation**Size**

Overall dimension of windows, doors, ventilators, shall be derived from masonry opening minus an allowance of 1.25 cm clearance on all sides for the purpose of fitting. However, type and overall sizes shall be in accordance with IS: 1948.

Tolerances

The sizes for doors, windows or ventilator frames shall not vary by more than ± 1.5 mm from overall size as specified in drawing.

Designation

Doors, windows and ventilators shall be designated by symbol denoting their width, type and height in succession as per IS: 1948.

Sectional dimensions and weights

Sectional dimensions and weights per unit length of the section shall conform to design drawing. However, uses of specific sections for specified units as per manufacturers' standard may be used with prior approval of Engineer.

7.3 Fabrication**Frames**


Frames shall be square and flat, the corners of frame being fabricated to a true right angle. Both the fixed and opening frames shall be constructed of sections which have been cut to length, mitered and screwed at the corners.

Shutters

All hinges, pivots, etc. shall be provided and fabricated in accordance with provisions given in IS: 1948. However, reference standards and drawings are also to be read in conjunction with the IS code.

7.4 Finishing

The aluminum sections to be used shall be properly buffed, cleaned by using mild acids and water. Then the same shall be anodised to have average anodic film thickness of 25 microns. To prevent damage to metal surfaces, a protective tape shall be applied after manufacturing and same shall be removed at site only after completion of rough trades.

Technical Specification for Doors, Windows & Ventilator	Doc No.	Rev	 875 of 1517
	GAIL-STD-CV-DOC-TS-018	0	
Page 7 of 16			

7.5 Handling, Storage

The extruded section or the fabricated windows/doors shall be protected against abrasions, waterstains and any other damages caused by acids or alkaline chemicals.

Cold metal shall preferably be placed in a dry storage area avoiding contact between it and other metals. Use of wood face shelving racks is recommended. It shall also be kept away from caustics, nitrates, phosphates, acids and cement.

7.6 Installation

The fabricated and assembled windows or door units (without glazing) shall be installed in accordance with IS 1081 being fixed in masonry opening properly plastered and finished.

Straightness and diagonal dimensions of the opening shall not have tolerance more than ± 2 mm. Aluminium screws or bolts are to be used with teak wood block on the back of the sections to avoid dents and other mechanical damages during tightening of screws/bolts. All gaps between the aluminium section and the masonry surface must be sealed with gun grade polymer based sealant viz., silicone compound, polysulphide compound.

Cement mortar grout or cement mortar finishing of gaps after installation of aluminium units shall strictly be restricted to protect the surface treatments given to the aluminium like anodising, precoating, etc.

All glass panes shall be fixed only after major activities are over in the area. Glazing gaskets for doors and frames shall be EPDM elastomeric extrusions. All screws and miscellaneous fasteners shall be aluminium, stainless steel or zinc plated.

7.7 Hardware

Necessary hardware for aluminium doors and windows shall be compatible with the basic material and shall be provided along with the doors, windows and ventilators. Minimum hardware necessary to be provided shall be as specified in Table 3.

7.8 Drawings/Documents

Prior to fabrication, Contractor shall submit shop drawing indicating details of all members, sections and hardware for EIC's approval. All certificates against tests for anodizing and other physical properties of material shall be produced to the Engineer for acceptance.

8.0 METAL ROLLING SHUTTERS AND ROLLING GRILLS

Metal Rolling Shutters and Rolling Grills shall conform to IS: 6248, and shall be as per drawings issued by the Engineer. The Contractor shall submit for EIC's approval, the shop drawing covering all details of fabrication, construction and installation. After approval of shop drawing the Contractor shall submit one sample for approval before mass fabrication.

Rolling shutters shall be of following alternative types depending on the method of operation.

Sl.No.	Type	Clear Area of Shutter	Remarks
i.	Self Coiling or Pushing Pull Type	Up to 8 sq.m	Without ball bearing
		8 to 12 sq.m	With ball bearing
ii.	Gear Operated	12 to 25sq.m	With ball bearing. Operated by bevel gear box and crank handle
		25 to 35 sq.m	With ball bearing operated by chain wheel and hand chain
iii.	Electrically Operated type	35 to 50 sq.m	

8.1 Materials

Cold Rolled Steel Strips

Cold Rolled Steel Strips used for rolling shutter lath sections shall conform to temper No. 5, Dead soft quality of IS 513.

Mild Steel Sections

Mild Steel Sheets and Plates used for manufacturing the guide channels, brackets and lock plate shall be of hot rolled steel of thickness not less than 3.15 mm conforming to IS:5986. These shall be free from surface defects and the edges shall be cleanly sheared.

Steel Pipe

Mild Steel Pipes used for the suspension shaft of the roller shall be heavy duty pipe suitable for mechanical purposes and shall conform to IS: 1161.

Cast Iron Castings

Cast Iron Castings used for roller pulley wheels, U-clamps and bevel gears shall conform to Grade 15 of IS: 210. These shall be free of blow holes, surface defects such as cracks, burrs etc.

Springs

The springs used in the roller for counter balancing the rolling shutter shall be made either from high tensile spring steel wire or flat spring steel strip.

The spring steel wire used for helical spring shall conform to Grade 2 of IS: 4454.

Flat spring steel strip used for spiral spring shall be from 0.8 to 1.0 percent carbon steel strip especially hardened and tempered.

Aluminium Alloy Sheets

Aluminium Alloy Sheets used for curtains in case of rolling grills, shall conform to 52000 (NS4), 53000 (NS5) or 64430 (HS30) of IS: 737.

Aluminium Alloy Extrusions

Aluminium Alloy Extrusion for the components of rolling shutters of aluminium shall conform to 53000 (NE5) or 64430 (HE30) of IS: 733.

8.2 Fabrication

Curtain

This shall be built up from interlocking lath sections. The lath sections shall be from 18 gauge (1.25 mm) section for curtains up to 9 meters in width. Curtain above 9 meters in width should be divided in two parts with provision of one middle fixed or movable guide channel or supported from the back to resist wind pressure. The lath section shall be rolled so as to have interlocking curls at both edges and a deep corrugation at the centre with a bridge depth of 16 mm to provide sufficient curtain stiffness for resisting manual pressure and normal wind pressure. Each lath section shall be continuous single piece without any welded joint. When interlocked, the lath section shall have a distance of 75 mm between rolling centres. Each alternate lath section shall be fitted with a malleable cast iron or mild steel clips securely riveted at either end, thus locking the lath section at both ends and preventing lateral movement of the individual lath sections. The clips shall be so designed as to fit the contour of the lath sections.

Lock Plate

The Lock Plate provided at the bottom of the shutter, shall be composed of a mild steel plate 3.15 mm thick, reinforced with mild steel angle 35 x 35 x 5 mm at bottom of the plate. The lock

plate shall be fitted with sliding bolts at either end to engage with suitable receiving pockets at the bottom of the guide channel. The sliding bolts shall be capable of being locked by means of padlocks both from outside and inside. The lock plate shall also be provided with pulling handles, one handle for 2.5 m width and 2 handles for widths above 2.5 m. Pulling handles shall be fixed on both inside and outside faces of the lock plate.

Guide Channels

These shall be of mild steel deep channel section of rolled, pressed or built up (fabricated) construction. The thickness of the sheet used shall not be less than 3.15 mm. The depth of the guide should be such that there is sufficient clearance between curtain and inner surface of guide. The curtain shall project into the guide at least 40 mm for shutters up to 3.5 m width and 60 mm for greater widths. There shall be a clearance of 10 mm between guide wall and the end clips of the curtain.

Where the shutter is installed in heavy windy zones, special wind locking arrangements shall be provided to prevent the curtain coming out of the guide. The clear gap on either side of the curtain and inner faces of the guide channel shall be 5 mm. The depth and width of the guide channel shall be as follows:

Clear Width of Shutter	Depth of Guide Channel (minimum)
Up to 3.5 M	65 mm
3.5 to 8.0 M	75 mm
8.0 m and above	100 mm

Width of Guide Channel shall be 25 mm for lath sections with bridge depth of about 12 mm and 32 mm for lath sections with bridge depth of 16 mm.

Fixing Cleats

Each guide shall have a minimum of 3 fixing cleats. The spacing of cleats shall not exceed 0.75 m. Alternatively, the guide channels may also be provided with suitable dowels hooks or pins for embedding in the walls. The guide channel shall be attached to the wall plumb and true.

Bracket Plate

This shall be fabricated out of mild steel plate of 3.15 mm thick. Thicker plates may be used depending upon the height of the shutter. Dimensions shall be as given in IS: 6248. The bracket plate may be square, circular or hexagonal with a U-shaped cast iron or mild steel clamp riveted or welded to it at the centre. The bracket plate should have sufficient cross sectional area to resist the shear arising out of the weight of the curtain, suspension shaft etc. and shall be held rigidly by suitable foundation bolts.

Roller

The suspension shaft of the roller shall be made of steel pipe conforming to heavy duty of IS: 1161. The diameter shall be sufficient to limit deflection of shaft under the weight of the rolling shutter. The deflection of the shaft shall not exceed 5 mm per meter width of the shutter. Diameters of the steel pipe for various widths up to 6 m and height 5 m shall be as per IS:6248. Sizing of pipe diameter for greater widths and heights shall be designed giving due consideration for deflection limit mentioned above. The pipes of the suspension shaft which are clamped to the brackets shall be fitted with rotatable cast iron pulleys to which the curtain is attached. The pulleys and the pipe shaft shall be connected by means of pretensioned helical springs to counterbalance the weight of the curtain and to keep the shutter in equilibrium in any partly opened position.

Hood Covers

These shall be made of mild steel sheets not less than 0.9 mm thick, and shall be hexagonal, square or circular contour depending on the contour of the bracket plate. The hood cover shall be stiffened with angle or flat stiffeners at top and bottom edges to retain shape. The hood cover shall be fixed to the bracket plate by means of angle cleats. The hood cover shall also be supported all along the top at suitable intervals to prevent sagging.

Gears, Worms etc

These shall be machine cut. Worm gear wheels shall be of high grade cast iron or mild steel or phosphor bronze. The worms shall be of mild steel or gun metal or phosphor bronze.

Security Devices

For shutter widths exceeding 2.5 m, any one or both of the following security devices may be provided. Anchoring Rods as described in IS: 6248. These shall be provided at the rate of one per extra 2.5 m width or part thereof above a clear width of 2.5 m.

Central Hasp and Staple

This shall be provided at the centre of the bottom lock plate. The hasp shall be embedded in the floor at the centre. The staple shall be fitted at the centre of the bottom lock plate outside in an accurate position so that the hasp may properly engage with staple when the shutter is in a closed position. The hasp shall be embedded within the floor so as not to cause any obstruction. Normally one central hasp and outside staple will be sufficient for any width of shutter.

8.3 Optional Features**Intermediate Posts or Mullions**

These shall be either of fixed, sliding or removable type, and are used for unusually wide openings or for providing multiple door entries. The mullion also forms the guide channels between the various sections of the rolling shutter. The sliding mullion may also be winch operated for large sizes. The fixing of the intermediate post shall be plumb and true when in position before closing the rolling shutter.


Wicket Door

Large rolling shutter fixed at the main entrance of mills and factories may also be provided with a subsidiary door known as wicket door. This is a hinged service door allowing pedestrian traffic without the need of rolling up the shutter. The wicket door size shall be 600 x 1200 mm for ordinary use and 900 x 1800 mm for large installations. Sizes larger than these are not recommended as these cause difficulties in installation and operation. The wicket door shall be of good robust construction and shall be fitted with a good lever lock operated by key and lockable from both inside and outside. The wicket door shall be erected in such a way so as not to foul with the main rolling shutter when opening or closing. The wicket door shall be swung clear of the opening before the Rolling Shutter is raised.

Galvanising

All components of the rolling shutter may be hot dip galvanized with a zinc coating containing not less than 97.5% pure zinc. The weight of the zinc coating shall be not less than 230 g/sq. m and the coating shall be free from flaking or peeling.

8.4 Operation**Push Pull Type**

Technical Specification for Doors, Windows & Ventilator	Doc No.	Rev	 879 of 1517
	GAIL-STD-CV-DOC-TS-018	0	
Page 11 of 16			

Push Pull Type shall be operated manually by pulling hooks with appropriate pulling handles in the lock plate. The length of the pulling handle shall be sufficient to push the lock plate up to the top most position.

Gear Operated Type

These shall be operated by two types of arrangement:

- i. by bevel gear box and crank handle
- ii. by chain wheel and hand chain.

The height of the bevel gear box or the bottom of the hand chain shall be 0.85 m from floor. If specified on drawing, the crank handle operation or hand chain operation shall be provided on both sides of the wall.

The gear reduction shall be calculated to reduce the pressure exerted on the crank handle or the pull exerted on the hand chain to not more than 16 kg.

Electrically Operated Type

These shall be operated by an electric motor operating on 400/440V, 3 phase 50 cycles A.C. supply. Arrangements shall also be made for emergency mechanical operation of the rolling shutter in the event of failure of the electric equipment or electricity. The emergency mechanical operation shall be by an auxiliary chain wheel and hand chain drive. The motor shall have a push button control, with a minimum of 3 buttons marked "Up", "Down" and "Stop". Limit switches shall also be provided to cut off current to the motor when the shutter reaches the limit of its travel in the "Up" or "Down" directions.

8.5 Rolling Grills

These are similar in design and operation to Rolling shutters. Hence, all provisions of Rolling shutters are applicable to rolling grills except for the curtain. The rolling grill curtain may be manufactured out of 8 mm diameter mild steel or aluminium alloy round bars.

Rolling Shutter cum Grill

These shall be provided in situation where certain amount of ventilation and safety is called for, e.g. in substations and transformer rooms. The rolling shutter may have a small grill portion as specified in the drawing the height of this grill shall generally be 500 mm.

8.6 Painting

All components of Rolling shutter except springs and inside of guide channel shall be thoroughly cleaned free of rust, mill-scale, dirt, oil etc. and two coats of red oxide zinc chromate paint shall be applied. Two coats of approved synthetic enamel shall be applied after installation. Other painting systems shall be employed if specified on the drawings.

Marking


Each shutter shall be clearly and legibly marked with the following information:

- i. Manufacturer's Name or Trade Mark
- ii. Size
- iii. Year of Manufacture.

9.0 FIRE DOORS

Fire rated doors shall be for a minimum period of two hours (unless specified otherwise) and shall be approved by Tariff Advisory Committee (TAC). If sourced from outside India, the fire labelled hollow metal doors shall be approved by Underwriters Laboratories (UL). Testing conducted by Central Building Research Institute (CBRI), Roorkee shall be produced on demand. Testing shall be as per BS 476 Part 20 & 24 IS 3614 Part 2 and ISO 834.

The frames shall be made of 16 gauge (1.6 mm) galvanised steel sheets pressed bent to shape using bending machine and mitred with square edges. The shutter shall be formed by machine bending of 18 gauge (1.25 mm) galvanised steel sheets in the form of hollow box making an

Technical Specification for Doors, Windows & Ventilator	Doc No.	Rev	 880 of 1517
	GAIL-STD-CV-DOC-TS-018	0	
	Page 12 of 16		

overall thickness of min 45 mm. Other requirements of stiffeners, core infill, finish, etc to be same as for steel doors described in section 5 of this specification. If vision panels are shown, the glass used shall have fire rating for same period as the door.

10.0 PVC DOORS AND WINDOWS

PVC doors and window frames shall be a complete system manufactured from acrylic modified high quality impact resistant white (or coloured as specified) non plasticized polyvinyl chloride, reinforced, rigid multi-chamber extrusion by a suitably qualified fabricator. Door and window fabrication shall meet basic performance requirements recommended for climatic and atmospheric conditions of site and in strict accordance with the system supplier's recommendations.

Door/ window type, size and style shall meet requirements specified in relevant door/window schedules.

Door, window design shall include factory finish glazing as required, purpose made thresholds/subsills, trickle ventilators and security/ locking devices as recommended by manufacturer.

All glazing shall meet safety requirements specified by relevant building regulations.

Fabricator shall submit evidence of door, window performance including method of weld finishing, weather tightness exposure category, compliance to relevant regulations, etc for approval prior to award of contract.

11.0 ACCEPTANCE CRITERIA

The DOORS, WINDOWS, VENTILATORS AND ROLLING SHUTTERS shall fulfill the above said criteria unless otherwise mentioned.

12.0 PAYMENT

All payments shall be made as per SOR basis.

APPENDIX I

Table 1- Timber Door and Windows (Minimum Hardware)

Fittings	Doors				Windows		
	Double Leaf Flush	Double Leaf Paneled	Single Leaf Flush	Single Leaf Paneled	Double Leaf Shutter	Single Leaf Shutter	Ventilator Shutter
Butt Hinges 100mm Heavy	6	6	3	3	-	-	-
Butt Hinges 75mm Heavy	-	-	-	-	4	2	2
Mortice Lock (7 Lever)	1	-	1	-	-	-	-
Aldrop 300mm	-	1	-	1	-	-	-
Door Latch 300mm	-	1	-	1	-	-	-
Flush Bolt 250mm	3	-	2	-	-	-	-
Tower Bolt 250mm	-	3	-	2	3	2	-
Handle 150mm	-	4	-	2	2	1	1
Hook and Eye Stay 300mm	-	-	-	-	2	1	2
Stoppers (Buffers)	1	1	1	1	-	-	-
Peg Stay					2	1	-

Notes:

- i. All the fittings shall be oxidized brass type unless otherwise specified.
- ii. Single leaf door shutters and ventilator shutters of more than 0.80 m width shall be provided with one extra hinge.
- iii. Where height of window shutter and door leaf exceeds 1.2 m and 2.15 m respectively one extra hinge shall be provided for every additional height of 0.5 m or part thereof and length of top bolt shall be increased by the height of the shutter/leaf above 2.15 m from floor level.
- iv. In double leaf shutters of doors, two tower bolts shall be fixed to the first shutter top and bottom and one to the closing shutter at the top. In case of double shutter windows, two tower bolts shall be fixed to closing shutter top and bottom and one to the first shutter at top.
- v. All hardware shall conform to the applicable Indian Standards.

Table 2- Steel Door and Windows (Minimum Hardware)

Fittings	Doors		Windows		Ventilators	
	Single Shutter	Double Shutter	Single Shutter	Double Shutter	Top Hung Shutter	Centre Hung Shutter
4" x 4" SS Hinges with two ball bearings	3	6	-	-	-	-
Hinges (Heavy) 75mm Wide	-	-	2	4	2	-
Aldrop 300mm	1	1	-	-	-	-
Push and Pull type Handle (100mm)	2	2	-	-	-	-
SS Tower Bolts (300mm)	1	3	-	-	-	-
Two Point nose handle with striking plate	-	-	1	2	1	-
Peg Stay 300mm	-	-	1	2	1	-

Notes:

- i. All the fittings shall be in S.S. unless otherwise specified.
- ii. Single leaf door shutters and ventilator shutters of more than 0.80 m width shall be provided with one extra hinge.
- iii. Where height of window shutter and door leaf exceeds 1.2 m and 2.15 m respectively one extra hinge shall be provided for every additional height of 0.5 m or part thereof and length of top bolt shall be increased by the height of the shutter/leaf above 2.15 m from floor level.
- iv. Double leaf shutters of doors, two tower bolts shall be fixed to the first shutter top and bottom and one to the closing shutter at the top.
- v. All hardware shall conform to the applicable Indian Standard.
- vi. Door Closure:
Requirement of door closure, its type – Surface mounted or concealed, with or without Hold Open option shall be as mentioned on Architectural drg.

Table 3- Aluminium Doors and Windows (Minimum Hardware)

Fittings	Doors		Casement Windows	
	Single Shutter	Double Shutter	Single Shutter	Double Shutter
Mortice Lock 7 Levers	1	1	-	-
Tower bolts 300mm	1	3	-	-
Butt Hinges (heavy) 75mm	-	-	2	4
Floor Spring (Shutter on Pivot)	1	2	-	-
Two point nose handle with striking plate	-	-	1	2
Peg Stay 300mm	-	-	1	2

Notes:

- i. All the fittings shall be anodized aluminium (finish compatible with original frame) type unless otherwise specified.
- ii. Single leaf door shutters and ventilator shutters of more than 0.80 M width shall be provided with one extra hinge.
- iii. Where height of window shutter and door leaf exceeds 1.2 M and 2.15 M respectively, one extra hinge shall be provided for every additional height of 0.5 M or part there of. Length of top bolt shall be increased by the height of shutter / leaf above 2.15 M from floor level.
- iv. In double leaf shutters of doors, two tower bolts shall be fixed to the first shutter at top & bottom and one to the closing shutter at top.
- v. All hardware shall conform to applicable Indian Standards.



GAIL INDIA LIMITED

TECHNICAL SPECIFICATION FOR FLOOR FINISHING

GAIL-STD-CV-DOC-TS-019

Rev	Date	Purpose	Prepared By	Checked By	Approved By
0	23.01.19	Issued As Standard	SS	UN	SKK



TABLE OF CONTENTS

1.0	SCOPE	3
2.0	REFERENCE DOCUMENTS.....	3
3.0	GENERAL	3
4.0	FLOORING.....	3
4.1	GENERAL	3
4.2	FLOOR FINISHES.....	3
4.2.1	TILED FLOORS.....	3
4.2.2	GRANOLITHIC FLOOR FINISH.....	4
4.2.3	FLOOR HARDENER FINISH	5
4.2.4	TERRAZZO OR MOSAIC TILE FINISH	6
4.2.5	GLAZED CERAMIC TILE FINISH.....	6
4.2.6	RUBBLE OR BRICK SOLING	7
4.2.7	GRAVEL PAVING	8
5.0	ACCEPTANCE CRITERIA.....	8
6.0	PAYMENT	8

FLOOR FINISHING

1.0 SCOPE

The work covered by this specification shall consist of installing flooring and providing all materials, labour and equipment necessary to complete the work AS PER Indian Standards.

2.0 REFERENCE DOCUMENTS

IS: 269	Specification for 33 grade ordinary Portland cement
IS: 383	Coarse and fine aggregates from natural sources for concrete
IS: 456	Code of practice for plain and reinforced concrete
IS: 516	Method of test for strength of concrete
IS: 650	Standard sand for testing of cement
IS: 1199	Method of sampling and analysis of concrete
IS: 1237	Specification of cement
IS: 2185	Specification for concrete masonry unit

In the event of conflict between various codes and standards, the most stringent condition will apply.

Unless specified otherwise the International System of metric units (S.I.) is to be used.

3.0 GENERAL

In accordance with the requirements of this specification, the contractor shall submit the details specified in the following paragraphs regarding the materials covered by this specification.

4.0 FLOORING

4.1 GENERAL

BRICK SOLING /RUBBLE PACKING (FOR GROUND FLOOR ONLY)

After the sub-grade has been approved by the Owner/Owner's Representative, the Contractor shall place two layers of bricks in herring bone pattern or rubble packing to required thickness.

Leveling Concrete

The bedding concrete shall be laid in thickness as specified on top of the prepared brick or rubble soling. The cement, sand and aggregate shall conform to the specifications for these materials as detailed in relevant specifications.


BASE CONCRETE

The cement, sand and aggregate shall conform to specifications for these materials as detailed under relevant specifications and shall be vibrated by a pan type vibrator to attain maximum compaction. All construction joints shall have the dowel bars if required. Expansion joints shall be left wherever called out.

4.2 FLOOR FINISHES

4.2.1 TILED FLOORS

- i. No tile shall be set on surface where the other work is specified or detailed to be embedded in the tile work until such work has been installed and approved by Owner/Owner's Representative.
- ii. Samples - The Contractor shall submit samples of different types of coloured tiles before the start of work to determine their suitability, colour, finish and surface characteristics for a particular job. The samples will be approved by the Owner /Owner's Representative prior to the starting of work.

Technical Specification for Floor Finishing	Doc No.	Rev	 887 of 1517
	GAIL-STD-CV-DOC-TS-019	0	
Page 3 of 8			

- iii. All floor tiling shall be laid from the centre lines outward and adjustment made at the wall. Floor finish shall be sloped to the drains as shown on the drawings.
- iv. In case the dimensions of the room do not fit a multiple of the tiled dimensions, after the border is allowed for, a fractional tile may be used to fill the space. When this extra space is less than 25mm, it may be filled with a mortar of equal parts of cement and sand coloured and finished to match the tile.
- v. All rooms or spaces in which tile floors are being laid shall be closed to human movement or other work and kept closed until the floors are completed and tiles are firmly set and cured as approved by the Owner /Owner's Representative.
- vi. Finished floor levels shall be of true plane surfaces with a tolerance of +2 mm in 3 meters unless otherwise indicated.

4.2.2 GRANOLITHIC FLOOR FINISH

BASE SLAB

The surface of the structural base slab shall be left rough and stock off at a level not less than 1 inch below the required finished grade. The P.C.C. floor finish shall generally conform to IS 5491.

MATERIALS

- i. Portland Cement
Portland cement shall be the best local available and shall conform to IS 269.
- ii. Aggregates
Fine aggregate and Coarse aggregate shall consist of clean, hard, sand or crushed stone screenings, free from dust, clay, loam or vegetable matter and shall be graded from coarse to fine to meet the requirements of IS 383.
All aggregates shall be selected with care and shall be of an approved character. Samples of proposed material shall be submitted to the Owner /Owner's Representative for approval prior to use.

MIXTURE

The nominal mixture shall be 1 part of Portland cement, 1 part of the fine aggregate and 2 parts of coarse aggregate by volume. This nominal mix may be slightly varied, depending upon the local condition as directed. If the aggregate is very coarse, the gravel or stone may be reduced, but in no case shall the volume of the coarse material be less than 1½ times the volume of the fine. The mixture shall be determined and once established shall not be changed except upon written order from the Owner /Owner's Representative.

Not more than 4 gal. of mixing water, including the moisture in the aggregate, shall be used for each 50 kg sack of Portland cement in the mixture when floating is done by machine.


The mixing of the concrete shall continue for at least 1 to 2 minutes after all ingredients are in the mixer.

CONSISTENCY

The concrete shall be of the driest consistency and shall be possible to work it with a sawing motion of the strike-off board on straight-edge. Changes in consistency shall be obtained by adjusting of proportions of fine and coarse aggregate within the limits specified. In no case shall the specified amount of mixing water be exceeded.

PLACING AND COMPACTING

Water and laitance, which rise to the surface of the base slab shall be removed before applying the wearing course. After concrete in the base slab has settled sufficiently so that water does not rise to the surface, but within 2 hours of placing the base slab, the wearing course shall be applied and brought to the established grade with straightedge. After striking off the wearing course to the established grade, it shall be compacted by rolling or tamping and then floated with a wood float or power floating machine. The surface shall be tested with a straight edge to detect high and low spots, which shall be eliminated.

Technical Specification for Floor Finishing	Doc No.	Rev	 888 of 1517
	GAIL-STD-CV-DOC-TS-019	0	
Page 4 of 8			

- Following additional points shall also be observed:
- i. Before placing the topping, a slush coat of cement and water mixed to the consistency of thick paint shall be thoroughly broomed into the wet surface of base slab.
 - ii. The topping shall be placed immediately before the slush coat dries. Excess water and grout puddles shall be swept away.
 - iii. Concrete shall be spread over the surface and not heaped to prevent segregation.
 - iv. Concrete should be laid in panels of 2.5 m x 2.5 m by means of formwork over concrete floor. Glass strip 40 x 4 mm thick or aluminium strips of 40 x 2 mm thk. To be laid around each panel edges.
 - v. The finish to be done in differed construction.

FINISHING BY TROWELLING

Floating shall be followed by steel troweling after the concrete has hardened sufficiently to prevent excess fine material from working to the surface. Floating shall be finished normally within about 3 to 3½ hours of laying the topping. The finish shall be brought to a smooth surface free from defects and blemishes. No dry cement or mixture of dry cement and sand shall be sprinkled directly on the surface of the wearing coarse to absorb moisture or to stiffen the mix.

After the concrete has further hardened, additional trowelling may be required. This shall be done as may be directed. Surfaces to be ground shall be swept with soft brooms after rolling to remove any water and surplus cement paste which may be brought to the surface. The wearing course shall then be floated and lightly trowelled, but no attempt shall be made to remove all trowel marks. The edges of the panels of topping shall be rounded off at proper time, by edging tool, before the concrete finally sets.

CURING AND PROTECTION

All freshly placed concrete shall be protected from the elements and from all defacement due to building operations. The Contractor shall provide and use tarpaulins when necessary to cover completely or enclose all freely finished concrete.

As soon as the concrete has hardened sufficiently, to prevent damage, it shall be covered with at least 1 inch of wet sand or other satisfactory covering, and shall be kept continuously wet by sprinkling with water for at least 3 days when using high early strength Portland cement. In lieu of other curing methods, the concrete may be covered with a colourless curing compound or with asphalt impregnated, waterproofed paper. All seams of such paper shall be overlapped and sealed with tape.

4.2.3 FLOOR HARDENER FINISH

MATERIAL

Floor hardener shall be metallic aggregate of approved product. The metallic aggregate shall be specially processed size graded iron particles. Hardener shall be applied to those surfaces indicated on the drawings and shall be applied in accordance with the manufacturer's specifications with prior approval of the Owner /Owner's Representative.


INSTALLATION

The topping shall be of two layers construction as indicated in the finish schedule. Sprinkling of finish surface with neat cement will not be permitted. The topping will be laid in panels of 2.5m x 2.5m or as directed and preferably be cast in alternate fashion. The base slab shall be leveled below the finishing level as per drawing.

The topping shall be laid in two layers as under:

i. Deferred Construction

A bed of approximately 40 mm thick screed in the proportion of one part of cement, one part of clean sharp sand and two parts of 6mm-20mm clean granite stone aggregates or gravel.

Technical Specification for Floor Finishing	Doc No.	Rev	 889 of 1517
	GAIL-STD-CV-DOC-TS-019	0	
Page 5 of 8			

A second course of metallic mixture approximately 20mm / 16mm thick, consisting of one part of metallic aggregate, five of cement by weight and two parts crushed stone aggregate or gravel of size 6mm and down, shall be laid monolith with the bottom course. A minimum of 1.2 kg / sq.m. of hardening material shall be provided.

ii. Integral Construction

A course of metallic mixture approximately 20mm / 16mm, consisting of one part of metallic aggregate, five of cement by weight and two parts crushed stone aggregate or gravel of size 6mm and down, shall be laid monolith with the base slab. A minimum of 1.2 kg / sq.m of hardening material shall be provided. The floor topping shall be cured for a minimum period of 14 days by impounding 25 mm layer of water by bunding method.

4.2.4 TERRAZZO OR MOSAIC TILE FINISH

MATERIALS

The tiles shall conform to IS 1237 and shall be approved by the Owner/Owner's Representative. The tiles shall be uniform in colour and size, true and square, machine cut with sharp edges and free from twist, cracks or other defects. The contractor shall produce the certificates from the manufacturer of the tiles stating that the tiles conform to relevant local specifications. The terrazzo tiles shall be 250 x 250 x 20 mm thick for flooring and 250 x 125 x 20 mm thick for skirting and machine polished in factory.

Maximum size of marble chips shall be No.2 (12 mm base course and 8 mm wearing) and the tile shall be white cement based. Mosaic chequered tiles shall be same as that of floor tiles but pre-chequered in factories

INSTALLATION

The floor base to which the tiles are to be fixed shall be roughened and cleaned free of dust, and shall be thoroughly wetted. A layer of cement mortar (1:3) as specified shall be evenly spread over the base slab and sprinkled with fine sand. Before laying, the tiles shall be soaked in water for at least 20 minute and then allowed to dry for about 10 minutes. It is necessary to have tiles damp, but not wet when they are laid. The tiles shall be truly and evenly set in a thin paste of neat cement applied on sides and bottom. As the tiles are placed to the mortar, they shall be tamped down with the handle of hammer or trowel until their elevation is exactly in line with that of the other tiles. The joints in this flooring shall be nearly indistinguishable. Excess cement that oozes that through the joints to the surface shall immediately be wiped clean. The joints shall, after 24 hours, be filled with matching cement paste and allowed to set.

CURING

The work shall be kept wet and protected for 7 days before starting the polishing. No one shall be allowed to walk on the floor during the first 24 hours after it is laid. The traffic shall be only allowed after the curing is complete.


POLISHING

When ready for polishing, the joints shall first be rubbed with a carborundum stone so that slight projections or edges rising above the surface are leveled. The whole surface shall then be polished by machine, first with a softer variety of carborundum stone and finally washed with a weak solution of soft soap in warm water. Wall skirting shall be ground by hand.

4.2.5 GLAZED CERAMIC TILE FINISH

MATERIALS

The glazed ceramic tiles shall be white or coloured, Johnson's / Bell ceramics first quality or approved equal. The floor matt finish tiles (non-skid) shall be 6 mm / 7.2 mm / 10.0 mm thick and wall tiles (light colour) 6 mm to 7 mm thick and shall be of specified sizes. Top surface of the

Technical Specification for Floor Finishing	Doc No.	Rev	 890 of 1517
	GAIL-STD-CV-DOC-TS-019	0	
	Page 6 of 8		

tiles shall be perfectly smooth, even and true in all dimensions, free from cracks and crazing. Wall tiles shall be fixed along with angle corner and cove pieces and other specials wherever required to obtain flush surfaces.

INSTALLATION

The surface on which the tiles are to be fixed shall be rough, clean, free of dust and thoroughly wetted. The tiles shall be soaked in water for a minimum period of 6 hours before fixing. A layer of cement mortar (1:3) and of thickness not less than 18 mm and just enough for about 3 to 4 tiles shall be evenly spread according to the slope required. The wall tiles shall then be laid in neat thin cement paste and pressed into position. All joints shall be uniform and as thin as possible and not exceeding 1.5 mm. They shall run in straight lines or in staggered pattern in floors or in walls as required. Wall tiles shall be of indicated height in the finish schedule. Joints between tile and plumbing or other built-in fixture shall be made with an approved caulking compound as required.

All exposed joints shall be pointed with white or coloured cement as the case may be. If cutting or drilling of tiles is required after the tiles are laid, it shall be done neatly and accurately so that intersections and returns are perfectly formed.

CURING

The work shall be kept wet and protected with saw dust for 10 days and thoroughly washed and cleaned afterwards.

4.2.6 RUBBLE OR BRICK SOLING

GENERAL

This consists consist of preparing sub-grade for floors and providing all material labour and equipment necessary to complete the work in strict accordance with the drawings and specifications. Source and the materials under the specifications shall be approved by Owner/Owner's Representative.

MATERIAL

Blue basalt / Granite or bricks wherever called out.


PREPARATION OF SUB-GRADE

After the sub-grade has been shaped to line, grade and cross section, it shall be well rammed either by manual labour or by pneumatic rammer. Any soft places, vegetation or other debris shall be removed and filled with sand and properly rammed until hard compact surface is obtained. This operation shall include any reshaping and wetting required along with the ramming of the sub-grade, to obtain proper compaction of at least 90% of maximum at optimum moisture as directed. All boulders or ledge stone encountered in the excavation shall be removed or broke off to a depth of not less than 150 mm below sub-grade. The resulting area and all other low sections holes or depressions shall be brought to the required grade.

RUBBLE PACKING

After preparation of sub-grade and approved by the Owner/Owner's Representative, the Contractor shall lay uniform size of rubbles or stone average 150 mm / 230 mm high (maximum tolerance 25 mm size or as specified) with broad size as base. The stones shall be of blue or yellow basalt or approved quality hard stone. All interstices shall be filled with stone chips or crushed stone dust. This shall then be properly tamped and flooded with water overnight to make sure that all fine particles are washed down in between the interstices. Any soft place or holes found shall be filled up with sand and all the surfaces properly rammed until the desired grade and proper consolidation is obtained. No concreting shall be done on this surface until it is approved by Owner/Owner's Representative.

If hard laterite stone is used in place of blue or yellow basalt or granite, height of rubble shall be 1'0" (maximum tolerance 1" in size).

Technical Specification for Floor Finishing	Doc No.	Rev	 891 of 1517
	GAIL-STD-CV-DOC-TS-019	0	
Page 7 of 8			

BRICK SOLING

Bricks used for soling should be fully burnt or little over burnt and should not absorb more than 4% of their weight of water after one-hour immersion and should not show any signs of efflorescence on drying. Bricks should be laid as directed with fine close joints. A cushion of 20 mm average sand filling should be laid prior to packing of bricks. When laid in two layers, joints should be broken with a layer of sand in between.

After packing of bricks, sand shall be spread over the surface to an average thickness of 25 mm to fill up the joints. The top layer may be allowed to remain as a protective layer till further work is taken up. It is essential to wet the brick soling prior to placement of any concrete flooring on the top of it.

4.2.7 GRAVEL PAVING**SUB-GRADE PREPARATION**

Top surface of sub-grade shall be cleared off any unwanted scrap materials, vegetation, dry grass, large size boulders. Thereafter sufficient quantity of water shall be sprinkled on the top surface, and the same shall be compacted and leveled by hand rollers.

GRAVEL LAYING


Gravel shall be clean and round in shapes and standard quality and shall be obtained from riverbeds. Samples shall be approved by the Owner / Owner's Representative. Gravel size shall be minimum 20 mm and maximum 50 mm. Gravel shall be laid to a thickness of 75 mm over the prepared sub-grade or as indicated in engineering drawings. This work shall be carried out for the areas indicated in plot plan and other engineering drawings.

5.0 ACCEPTANCE CRITERIA

The FLOOR FINISHING shall fulfill the above said criteria unless otherwise mentioned.

6.0 PAYMENT

All payments shall be made as per SOR basis.

Technical Specification for Floor Finishing	Doc No.	Rev	 892 of 1517
	GAIL-STD-CV-DOC-TS-019	0	
Page 8 of 8			



GAIL INDIA LIMITED

**TECHNICAL SPECIFICATION
FOR
PAINTING, COLOUR WASHING AND FINISHING**

GAIL-STD-CV-DOC-TS-020

Rev	Date	Purpose	Prepared By	Checked By	Approved By
0	18.06.18	ISSUED FOR APPROVAL	SS	UN	SKK



PAINTING, COLOUR WASHING AND FINISHING

1.0 SCOPE

This specification covers painting, white washing, polishing, wall finishing etc. of both interior and exterior surfaces of masonry, concrete, plastering, plaster of Paris, false Ceiling, structural and other miscellaneous steel items.

2.0 REFERENCE DOCUMENTS

IS: 2395	: Code of practice for painting concrete, masonry and plaster surfaces.
IS: 712	: Specification for building limes.
IS: 55	: Specification for Ultramarine blue for paints.
IS: 63	: Specification for whitening for paint and putty.
IS: 5410	: Cement Paint - Specification
IS: 384	: Brushes, paints and varnishes, flat
IS: 486	: Brushes, sash, tool, for paints and varnishes.
IS: 110	: Ready mixed paint, brushing, grey filler enamels for use over primers.
IS: 106	: Ready mixed paint, brushing, priming for enamels, for use on metals.
IS: 428	: Distemper (Oil Bound), colour as required.
IS: 3585	: Ready mixed paint, Aluminum brushing priming water resistant for wood work.
IS: 2338 Part-1	: Code of practice for finishing of wood, and wood based materials. Part-1: Operations & workmanship
IS: 2338 Part-2	: Code of practice for finishing of wood, and wood based materials. Part-2: Schedule
IS: 2524 Part-1	: Code of practice for painting non ferrous metals in buildings. Part-1: Pretreatment
IS: 2524 Part-2	: Code of practice for painting non ferrous metals in buildings. Part-2: Painting
IS: 1477 Part-1	: Code of practice for painting ferrous metals in buildings. Part-1: Pretreatment
IS: 1477 Part-2	: Code of practice for painting ferrous metals in buildings. Part-2: Painting
IS: 2395 Part-1	: Painting of concrete, masonry & plastered surface, code of practice Part-1 : Operations and workmanship
IS: 2395 Part-2	: Painting of concrete, masonry & plastered surface, code of practice Part-2 : Schedule

In case any particular aspect of work is not covered specifically by these or any other relevant Indian Standard Specification, any other good engineering practice as may be specified by the company shall be followed.

3.0 WHITE WASHING /COLOUR WASHING

Before wash, the surfaces shall be thoroughly brushed free from mortar dropping and foreign matters. The wash shall be prepared from fresh stone shale lime. The lime shall be thoroughly soaked and screened through a clean coarse cloth and admixed with gum and indigo. 3 grams of indigo, 20 grams of gum per kilogram of lime shall be used approximately; one kg of lime will produce 5 liters of white milky solution. The solution shall be got approved by the Site Engineer before application. Number of coats shall be as specified in the Schedule of Rates and each coat shall be allowed to dry before next one is applied. For color washing, pigment as per manufacturer's specification is required.

4.0 DRY DISTEMPER

Dry distemper of approved brand and manufacture shall be used. The shade shall be got approved by the Engineer-in-Charge before application of the distemper. The dry distemper shall be stirred slowly in clean water using 0.6 litre of water per kg. of distemper or as specified by the manufacturer. Warm water shall preferably be used. It shall be allowed to stand at least 30 minutes and the mixture shall then be well stirred before use. The finished surface shall be even and uniform and shall show no brush marks.

5.0 WATER PROOF CEMENT PAINT

The water proof cement paint shall be "Snowcem" or equivalent of approved brand and manufacture. The same and the colour of the paint shall be got approved by the Site Engineer before application.

The surface to be coated with water proof cement paint shall be thoroughly cleaned of all dust and falling mortar by washing and scrubbing. The surface shall be thoroughly wetted with clean water before the water proof cement paint is applied. Water proof cement paint shall be mixed in such quantity as can be used up within a hour of its mixing. Curing shall be done as per manufacturer's specifications.

6.0 OIL BOUND DISTEMPER

Materials

Oil bound washable distemper of approved shade, brand and manufacture shall be used. The primer shall be of the same manufacture as oil bound distemper. The distemper and primer shall be procured by the contractor in sealed tin in sufficient quantities at a time to suffice for a fortnight's work and the same shall be kept in the joint custody of the contractor and the Site Engineer. The empty tins shall not be removed from the site of work, till this item of work has been completed and passed by the Site Engineer.

Preparation of Surface


The surface shall be thoroughly cleaned of dust, old white or colour wash if any by washing and scrubbing and then be allowed to dry for at least 48 hours. It shall then be sand-prepared to remove any unevenness. Depressions if any shall be made up with plaster of Paris putty.

Application

The primer coat shall be applied first horizontally and then vertically immediately afterwards. The surface shall be finished as uniformly as possible leaving no brush marks. It shall be allowed to dry for at least 48 hours before oil bound distemper is applied. The surface thus prepared shall be lightly sand papered to make it smooth for receiving distemper, taking care not to rub out the primer coat. One coat of distemper properly diluted with thinner (as stipulated by manufacturer) shall be applied with brush in horizontal strokes followed immediately by vertical ones which together constitute one coat. The subsequent coat shall be applied in the same way, so as to obtain an even shade. A time interval of at least 24 hours shall be allowed between consecutive coats to permit proper drying of the preceding coat.

Painting

Paints, Oil etc. of approved brand and manufacturers shall be used. Paints manufactured by M/s. Johnson & Nicholson, Asian Paints, Berger Paints, ICI, Nerolac shall only be approved. Primer and thinner used shall also be of same manufacture and brand. Ready mixed paints as received from the manufacturer without any admixture shall be used as per manufacturer's

Technical Specification for Painting, Colour Washing And Finishing	Doc No.	Rev	
	GAIL-STD-CV-DOC-TS-020	1	
	Page 3 of 5		

instructions. If for any reason thinning is necessary (in case of ready mixed paint) the brand of thinner recommended by the manufacturer or as instructed by the Site Engineer shall be used. The surface shall be thoroughly cleaned and dusted. All the rust, dirt, scales, smokes and grease shall be thoroughly removed before painting is started. The prepared surface shall have received the approval of the Site Engineer after inspection, before painting is commenced. The wood work to be painted shall be dry and free from moisture. The unevenness shall be rubbed down with smooth sand paper and shall be well dusted. Knots, if any, shall be covered with preparation of red lead made by grinding lead in water and mixing with strong glue, sized and used hot.

7.0 PAINTING WITH PLASTIC EMULSION PAINT

Plastic emulsion paint conforming to IS: 5411 of approved brand and manufacture and of the required shade shall be used. Plastic Emulsion Paint shall be applied on internal surfaces (other than wood or metallic surface) of buildings as per schedule of finishes/AFC drawings/Tender Scope.


Paint shall be applied after thorough cleaning and preparation of surface. The surface shall be thoroughly cleaned and dusted off. All rust, dirt, scales, smoke splashes, mortar droppings and grease shall be thoroughly removed before painting is started. The prepared surface shall have received the approval of the Engineer-in-Charge after inspection, before painting is commenced. The number of coats shall be as stipulated in SOR/Scope of Tender. The Paint will be applied with brush, spray or roller. The Paint dries by evaporation of the water content and as soon as the water has evaporated the film gets hard and the next coat can be applied. The time of drying varies from one hour on absorbent surfaces to 2 to 3 hours on non-absorbent surfaces. The thinning of emulsion is to be done with water. Thinning with water is required for the under coat which is applied on the absorbent surface. The quantity of water to be added shall be as per manufacturer's instructions. The surface on finishing shall present a flat velvety smooth finish. If necessary more coats will be applied till the surface presents a uniform appearance.

8.0 ACRYLIC POLYMER TEXTURED EXTERNAL PAINT

Acrylic polymer textured paint is of approved brand and manufacture and of the required shade shall be used. It shall be an acrylic polymer based textured wall coating consisting of mineral aggregate/crystals, inorganic pigments and other additives to form a crack free, flexible, tough, UV resistant coating of External Ruff 'N' tuff of ICI/ NITCO or equivalent make.

Acrylic polymer textured paint shall be applied on external surfaces (other than wood or metallic surface) of buildings as per schedule of finishes/AFC drawings/Tender Scope. Paint shall be applied after thorough cleaning and preparation of surface. The surface shall be thoroughly cleaned and dusted off loose mortar etc. Before painting all rust, dirt, scales, smoke splashes, mortar droppings and grease shall be thoroughly removed with the help of wire brush, water and sandpaper in accordance with the manufacturer's specifications.

Growths of fungus, algae or moss should be removed by wire brushing with water. In case of cracks, shall be filled with crack seal. The prepared surface shall have received the approval of the Engineer-in-Charge after inspection, before painting is commenced. Application of any primer coat, putty etc. may not be required. In case of application on old surface, one coat of primer shall be applied as per manufacturer's recommendation. Acrylic paint with Two coats shall be applied as final finish. The paint/finish shall be of desired shade and pattern as selected by the Owner / Consultant. The paint will be applied by Honeycomb or Pile roller to get the desired texture and pattern. The finished surface shall be left to dry for 4 hours.

Technical Specification for Painting, Colour Washing And Finishing	Doc No.	Rev	 896 of 1517
	GAIL-STD-CV-DOC-TS-020	1	
	Page 4 of 5		

9.0 CLEANING UP


The contractor shall, upon completion of painting etc. remove all marks and make good surfaces, where paint has been spilled, splashed or splattered. Including all equipment, fixtures, glass furniture, fittings, and site to the satisfaction of the Owner/Owner's Representative.

10.0 ACCEPTANCE CRITERIA

All painted surfaces shall be uniform and pleasing in appearance. The colour, texture, etc. shall match exactly with approved samples.
All stains, splashes and splatters of paints shall be removed from surrounding surfaces.

11.0 PAYMENTS

Payment shall be as per SOR basis.

Technical Specification for Painting, Colour Washing And Finishing	Doc No.	Rev	
	GAIL-STD-CV-DOC-TS-020	1	
Page 5 of 5			897 of 1517



GAIL INDIA LIMITED

TECHNICAL SPECIFICATION FOR BOUNDARY WALL, RETAINING WALL

GAIL-STD-CV-DOC-TS-021

Rev	Date	Purpose	Prepared By	Checked By	Approved By
0	22.01.19	ISSUED FOR BID	SS	UN	SKK



TABLE OF CONTENTS


1.0 BOUNDARY WALL3

2.0 EARTHWORK, PCC, RCC, BRICK MASONRY WORKS, PLASTERING & POINTING.....3

3.0 BARBED WIRE, CONCERTINA COIL AND STRUCTURAL STEEL FOR ANTICLIMBING DEVICE OVER BOUNDARY WALL.....4

4.0 BARBED WIRE FENCING PUNCHED TAPE CONCERTINA COIL.....5

5.0 SPECIAL CONSIDERATIONS FOR CONSTRUCTION OF RETAINING WALL.....6

Technical Specification for Boundary Wall, Retaining Wall	Doc No.	Rev	
	GAIL-STD-CV-DOC-TS-021	1	
	Page 2 of 6		

1.0 BOUNDARY WALL

Boundary wall/ Compound wall shall be of RCC frame type (constituting columns and plinth beams) for difference in elevation between NGL and FGL upto and inclusive of 1.8m. For difference more than 1.8m, RCC retaining wall shall be designed. The compound wall shall be of following types depending upon the difference in elevation between FGL & NGL:

- a) Upto & inclusive of 0.8m level difference, single plinth beam shall be used.
- b) For level difference > 0.8m but < 1.3m, two plinth beams shall be designed with 345mm brick wall thickness between plinth beams.
- c) For level difference > 1.3m but < 1.8m, two plinth beams shall be designed with 460mm brick wall thickness between plinth beams.
- d) For level difference > 1.8m, RCC retaining wall shall be designed.

The filler wall material shall be bricks, Fly-Ash bricks, Stones or Concrete blocks depending upon their availability and as per the directions of Owner/ Consultant.

The Expansion Joint shall be filled with bitumen impregnated fibre board conforming to IS: 1838 and 12mm deep sealing shall be done on face with Polysulphide sealing compound (two part liquid containing) conforming to IS: 12118.


Latest Edition of following IS Codes:

- a) IS: 278 Specification for galvanized steel barbed wire for fencing
- b) IS: 280 Specification for mild steel wire for general engineering purposes
- c) IS: 383 Specification for coarse and fine aggregates from natural sources for concrete
- d) IS: 456 Plain and Reinforced Concrete — Code of Practice
- e) IS: 800 Code of practice for General Construction in Steel
- f) IS: 814 Covered electrodes for Manual Metal Arc Welding of Carbon and Carbon Manganese Steel Specification
- g) IS: 816 Codes of Practice for use of Metal Arc Welding for General Construction in mild steel
- h) IS: 1597 Code of Practice for construction of Stone masonry.
- i) IS: 2062 Steel for general structural purposes — Specification
- j) IS: 2212 Code of Practice for Brickwork.
- k) IS: 2250 Code of Practice for preparation and use of masonry mortar.

2.0 EARTHWORK, PCC, RCC, BRICK MASONRY WORKS, PLASTERING & POINTING

Earthwork shall conform to the specification of site clearing, area grading excavation & earthwork covered in Standard Specifications.


Refer Standard Specifications of Plain and Reinforced Cement Concrete work, Brick Masonry Works and Plastering & Pointing.

Technical Specification for Boundary Wall, Retaining Wall	Doc No.	Rev	
	GAIL-STD-CV-DOC-TS-021	1	
	Page 3 of 6		

Plain and Reinforced Cement Concrete work shall conform to Indian Standard for Plain and Reinforced Concrete-Code of practice (Fourth Revision), IS: 456.

3.0 BARBED WIRE, CONCERTINA COIL AND STRUCTURAL STEEL FOR ANTICLIMBING DEVICE OVER BOUNDARY WALL

- 1) Structural steel shall conform to IS: 2062.
- 2) Structural steel work shall be fabricated and erected as shown in the drawings, Fabrication and Erection shall conform to IS: 800.
- 3) All materials used for fabrication shall be of new and unused stock and shall be free from twist, kinks, buckles or any defects. Maker's test certificate shall be made available to the Engineer-in-Charge when called for.
- 4) Electrodes for welding shall conform to IS: 814. Welding shall be carried out as shown in the relevant drawing and shall conform to IS: 816.
- 5) The Engineer-in-Charge reserves the right to test at any time any welding and the cost of test shall be borne by the contractor.
- 6) All materials tools and plants required for fabrication shall be provided by the contractor and the rates quoted shall make the allowance for the same.
- 7) M.S. angle posts shall be installed on top pilasters as line posts and corner posts.
- 8) Changes in direction where the angle of deflection exceeds 20° shall be considered corner and corner angle post shall be installed.
- 9) Painting shall not commence till it has been inspected by Engineer-in-Charge.
- 10) All loose scales, dirt, rust etc. shall be removed by short blasting / mechanical or power tool cleaning or with steel wire brushes (before applying a priming coat).
- 11) All Primers and paints used shall be supplied as per Painting specification and of approved manufacturer.
- 12) The surface after applying primer shall be made absolutely dry before applying paint.
- 13) Two coats of specified thickness of approved paint over a priming coat (suitable for temperature range of -1 to 60° C, in corrosive environment — off site areas) shall be applied as per Painting Specification.
- 14) Each coat shall be allowed to dry for sufficient time as per manufacturer's directions.
- 15) Barbed wire shall conform to IS: 278. The galvanized barbed wire shall be manufactured from galvanized mild steel wire conforming to IS: 280. The coating on the wire shall be smooth and relatively free of lumps, globes or points, wires with excessive roughness, blisters and Sal ammoniac spots shall be rejected. A galvanized steel barbed wire of Type A- IS: 278 shall be made from two strands of galvanized, twisted 2.5 mm steel wire with 4 points of barbs. Each barb shall have two turns tightening around both line wires making altogether four complete turns. The barbs shall be so finished that four points are set and looked at right angles to each other.
- 16) Bracing of the rows of barbed wire shall be as shown in the standard drawing.
- 17) All miscellaneous material, the staples, straining bolts etc. shall be galvanized. Minimum length of staples shall be 40 mm.
- 18) The fencing shall be plump, taut, true to line and complete in all respects.
- 19) The barbs shall have a length of not less than 13 mm and not more than 18 mm.

Technical Specification for Boundary Wall, Retaining Wall	Doc No.	Rev	
	GAIL-STD-CV-DOC-TS-021	1	
	Page 4 of 6		

- 20) Punched tape concertina coil shall be of 50 turns per coil having core wire of 2.6 mm dia made of high carbon spring steel of high tensile strength as per IS: 4454 part - I grade II having minimum galvanising coating thickness equivalent to 230 grams per square metre and low carbon steel strip of 0.5 mm thickness having a series of barbes punched all along the length on both sides of the strip at regular interval as per IS: 513, DD quality having minimum galvanising coating thickness of 12 microns. Hardness of tape should be between 137-180 VPN (Victor Penetration Number).
- 21) The coil should be clipped sufficiently at regular intervals. The coil should not be stretched for more than 6.0 Metre length and the minimum diameter of the coil in the closed condition should not be less than 600 mm. All other materials not specified, but required to complete the work shall be of approved type, make as per relevant Indian Standard Specification (if applicable) and shall be approved by the Engineer-in-Charge before Procurement.


4.0 BARBED WIRE FENCING PUNCHED TAPE CONCERTINA COIL

4.1 Barbed Wire Fencing

1. The barbed wire shall be of G.I. wire and in general conform to IS: 278-1962. Line wire and point wire shall be of 2.5 mm, 2.24 mm diameter respectively. Distance between the barbs shall be 75 mm nominal. The barb shall have a length not less than 13 mm and points shall be sharp and well pointed. The barbs shall carry four points and shall be formed by twisting two point wires. Each two turns, lightly round on line wire making altogether 4 complete turns. The barbs shall be so finished that the 4 points are set and locked at right angles to each other.
2. The line wire shall be in continuous length and shall be generally free from welds. The barbed wire shall be formed by twisting two line wires.
3. The barbed wire shall be stretched tight and fixed in the manner (horizontal & diagonal) as shown in the drawing and fitted in slots of angle iron post and held by binding with G.I. binding wires or with G.I. staple or nibs in case of R.C.C. posts. Turn buckles and straining bolts shall be used at the end posts.

4.2 Punched Tape Concertina Coil


1. Punched tape concertina coil shall be of 50 turns per coil having core wire of 2.6mm dia made of high carbon spring steel of high tensile strength as per IS: 4454 Part - I grade II having minimum galvanising coating thickness equivalent to 230 grams per square metre and low carbon steel strip of 0.5 mm thickness having a series of barbes punched all along the length on both sides of the strip at regular interval as per IS: 513, Deep Drawn quality having minimum galvanising coating thickness of 12 microns. Hardness of tape should be between 137-180 VPN (Victor Penetration Number).
2. The coil should be clipped sufficiently at regular intervals. The coil should not be stretched for more than 6.0 Metre length and the minimum diameter of the coil in the closed condition should not be less than 600 mm.

Technical Specification for Boundary Wall, Retaining Wall	Doc No.	Rev	
	GAIL-STD-CV-DOC-TS-021	1	
	Page 5 of 6		

5.0 SPECIAL CONSIDERATIONS FOR CONSTRUCTION OF RETAINING WALL

In addition to the requirements as indicated in the above documents, the followings shall also be taken into considerations for design and construction of retaining walls:

1. Excavation for retaining wall shall be undertaken to the width of the wall footing including necessary margins for construction operation as per drawing or directed otherwise. Where the nature of soil or the depth of the trench and season of the year, do not permit vertical sides, the contractor at his own expense shall put up the necessary shoring, strutting and planking or cut slopes with or without steps, to a safer angle or both with due regard to the safety of personnel and works and to the satisfaction of the Engineer-in-Charge.
2. In area where water is likely to accumulate, weep holes, 50 to 75 mm square shall be provided at 2 m vertically and horizontally unless otherwise specified. The lowest weep hole shall be at about 30 cm above the ground level. All weep holes shall be surrounded by loose stones and shall have sufficient fall to drain out the water quickly.
3. The water table shall not be allowed to rise above base of raft level until completion of outer retaining walls including water proofing of vertical surface of walls and back filling along the walls upto ground level and until the structure attains such height to counter balance the uplift pressure. However, the contractor should inspect the site and make his own assessment about sub-soil water level likely to be encountered at the time of execution.

Technical Specification for Boundary Wall, Retaining Wall	Doc No.	Rev	
	GAIL-STD-CV-DOC-TS-021	1	
	Page 6 of 6		



GAIL INDIA LIMITED

**TECHNICAL SPECIFICATION
FOR
SAND FILLING
MOORUM FILLING
BORROWED EARTH FILLING
GRAVEL FILLING**

GAIL-STD-CV-DOC-TS-022

0	22.01.2019	Issued for Bid	SS	UN	SKK
Rev	Date	Purpose	Prepared By	Checked By	Approved By




TABLE OF CONTENTS

1.0 **SAND FILLING3**

2.0 **MOORUM FILLING.....4**

3.0 **GRAVEL FILLING4**

TECHNICAL SPECIFICATION FOR SAND FILLING, MOORUM FILLING, BORROWED EARTH FILLING, GRAVEL FILLING	Doc No.	Rev	
	GAIL-STD-CV-DOC-TS-022	0	
	Page 2 of 5		

1.0 SAND FILLING

1.1 Sand shall be clean and free from dust, organic and foreign matter and shall be corresponding to grading zone II or as specified in the Schedule of Rates and as directed by Engineer-in-Charge. The following specifications and steps of work shall be followed for sand filling in large areas with sand supplied by the contractor. Under no circumstances black cotton/expansive type of soil shall be used for filling. Samples of fill material shall be got approved from the Engineer-in-Charge prior to use/supply. Laboratory test of the fill material shall be conducted to decide optimum moisture content and the Proctor density and record should be maintained.

1.2 Setting out, making profiles & measurements


Setting out and making necessary profiles shall be as specified in clause no.2.0.0 of specification for site clearing, area grading excavation & earthwork.

1.3 Sand filling in plinth and under floors etc.

Sand filling in plinth and under floors shall be done in layers, not exceeding 15 cm in depth. Each layers of sand shall be spread with adequate water and then be compacted by ramming. The surface shall then be flooded with water for atleast 24 hours and allowed to dry and then refilled, rammed and consolidated to avoid settlement at a later stage. The surface of the consolidated sand shall be dressed to required level or slope. Concreting of floor shall not be started till the Engineer-in-Charge has inspected and approved of the sand filling.

1.4 Sand filling in foundations & Tank pad foundation

Sand used shall be river sand obtained from a source approved by the Owner before commencement of work. It shall be well graded medium to coarse sand free from any vegetation, organic, clay or other impurities. Fineness modulus of sand shall be not less than 2.2 or falling in grading Zone-II as per table given here in below. It shall be tested in an approved laboratory to ascertain its relative density, optimum moisture content for compaction and its suitability for use in foundation/tank pad constructions supporting a design load intensity of 16 T/ sq.m (max.). All expenses for the test shall be borne by the contractor. Sand shall be spread in layers not exceeding 15 cm in loose thickness. Each layer shall be adequately watered, mixed and rolled till it gets evenly and densely compacted. The compaction shall be done by vibratory roller, vibrorammer, vibrators, road rollers of 8 to 10 tonne capacity, mechanical rammers and vibrators so as to achieve relative density of minimum 90%. The compaction shall be done under supervision of competent technical personnel. Adequate arrangement of testing for degree of compaction achieved shall be provided by the contractor at site. A minimum number of 5 tests per layer shall be conducted to ascertain the degree of compaction achieved. In addition to these tests, site engineer, whenever desires may ask contractor to conduct such tests and the contractor shall do so to satisfy the site engineer about the achieved degree of compaction. All expenses to conduct these tests shall be borne by the contractor. Before placing successive layers of sand, top surface of previous layer (the under layer) shall be moistened and

TECHNICAL SPECIFICATION FOR SAND FILLING, MOORUM FILLING, BORROWED EARTH FILLING, GRAVEL FILLING	Doc No.	Rev	
	GAIL-STD-CV-DOC-TS-022	0	
	Page 3 of 5		

scarified thoroughly to obtain a rough surface which shall provide a satisfactory bond with the subsequent layer. Necessary cables if any to be laid shall also be embedded in the sand pad as directed by site engineer. Sand pad shall be properly compacted and graded true to the dimensions and levels as shown in the drawings.

GRADING OF FINE AGGREGATES AS PER IS: 383

IS Sieve Designation	Percentage Passing for			
	Grading Zone I	Grading Zone II	Grading Zone III	Grading Zone IV
9.5mm	100	100	100	100
4.75mm	90-100	90-100	90-100	95-100
2.36mm	60-95	75-100	85-100	95-100
1.18mm	30-70	55-90	75-100	90-100
600micron	15-34	35-59	60-79	80-100
300 micron	5-20	8-30	12-40	15-50
150 micron	0-10	0-10	0-10	0-15

1.5 Setting out, making profiles & measurements

Setting out and making necessary profiles shall be as specified in clause no.2.0.0 of specification for site clearing, area grading excavation & earthwork.

2.0 MOORUM FILLING

2.1 Moorum shall be of best quality available and free of all foreign matter. The source of moorum shall be got approved from Engineer-in-Charge before procuring. Filling, compaction, finalising of levels & measurement shall be done in the manner as specified for earthwork in compound filling under specifications for Earthwork.

3.0 GRAVEL FILLING


1.0 Scope

The specification for gravel filling over HDPE film to be carried out in station works and other location as per scope of work / drawings of the tender is covered in this document.

1.1 Material

1.2 The gravel shall conform to IS: 383. The size of gravel/ crushed stone shall range from 27mm to 50 mm. Gravel or hard durable crushed stone from source/ quarries approved by Engineer-in-charge shall be used for gravel filling. The gravel shall be free of any fissures; elongated, flat, soft and disintegrated particles, clay and weathering action.

1.3 Stacking of gravel/crushed stone shall be done in uniform stacks, free from contamination by earth or other foreign matters. Gravel stacks shall be located adjacent to the area in

TECHNICAL SPECIFICATION FOR SAND FILLING, MOORUM FILLING, BORROWED EARTH FILLING, GRAVEL FILLING	Doc No.	Rev	
	GAIL-STD-CV-DOC-TS-022	0	
	Page 4 of 5		


which gravel filling is to be done as per direction of Engineer-in-Charge. The ground shall be firm, well drained.

- 1.4 The HDPE film shall be HDPE Grade-I conforming to IS: 10889 having following properties:

Density (mass)	940 — 952.4 Kg/m ³ @ 27° + 2°C
Film thickness	150 Micron (0.15mm) minimum or more to achieve above density.
Tensile strength at break - Machine direction - Transverse direction	Minimum 300 kgf /cm ² Minimum 250 kgf /cm ²
Elongation at break - Machine direction - Transverse direction	Minimum 300 % Minimum 300 %
Carbon black content	2.5+0.5% by mass
Joint breaking strength	10KN/m

2.0 Execution

- 2.1 The surface preparation of the area to be filled with gravel shall be by clearing the area of all loose materials and exposing of virgin soil. The exposed surface shall be consolidated properly to obtain 90% of maximum laboratory dry density of the soil as per IS: 2720 (Part VII). All soft patches shall be worked out to remove the soft soil and selected approved earth shall be filled back and compacted. The sub grade shall be free from sharp objects such as stone, weed roots etc. and shall be smooth without any depressions and humps etc. The surfaces so prepared shall be levelled and sloped as per drawings, for effective drainage.
- 2.2 The film shall be unrolled, spread and laid over the prepared sub grade. The film shall be laid loose so as to provide for the thermal contraction etc. Spreading of the film shall be loosely over the Sub grade so that it attains the contours of sub grade and compensate for thermal variations during the day. An extra length in both the directions on this account shall be provided. The loose ends of the film shall be firmly anchored at the ends with the adjacent area. The adjacent layer of film should be joined fully with a minimum of 200 mm overlap and jointing by thermal sealing. Thermal sealing shall be done as per manufacturer's recommendations. The joints of the film shall be kept to the minimum.
- 2.3 A 75 mm layer of clear, hard and durable sand shall be spread over the firmly spread film. The gravel / crushed stone aggregate in required quantities (from stacks) shall be spread uniformly and evenly, on the prepared base covered with film and sand. Care shall be taken such that the gravels spread to proper profiles and slopes / gradients, in such a way that it will not damage or pierce the film. The thickness of layer of gravels so spread shall be 100mm. The surface of the aggregate spread shall be carefully dressed up and all high and low spots corrected by removing or adding aggregates, as may be required.

TECHNICAL SPECIFICATION FOR SAND FILLING, MOORUM FILLING, BORROWED EARTH FILLING, GRAVEL FILLING	Doc No.	Rev	
	GAIL-STD-CV-DOC-TS-022	0	
	Page 5 of 5		



GAIL INDIA LIMITED

TECHNICAL SPECIFICATION FOR PIPE CULVERTS & BOX CULVERTS

GAIL-STD-CV-DOC-TS-023

Rev	Date	Purpose	Prepared By	Checked By	Approved By
0	21.01.2019	Issued for Bid	SK	UN	SKK



1.0.0 SCOPE

This specification describes the construction of RCC pipe culverts at crossing of Electrical and Instrumentation cable/conduit across roads.

2.0.0 REFERENCE CODES, STANDARDS AND SPECIFICATIONS

- Standard Specifications
- Latest Edition of following IS Codes:
 - a) IS: 383 Specification for coarse and fine aggregates from natural sources for Concrete
 - b) IS: 456 Plain and Reinforced Concrete — Code of Practice
 - c) IS: 458 Precast Concrete Pipes (with and without reinforcement)
 - d) IS: 783 Code of practice for laying of RCC pipes
 - e) IS: 4985 Unplasticised PVC pipes for potable water supplies

3.0.0 MATERIALS

- Cement, Sand, Coarse and Fine aggregate and water etc. shall conform to as mentioned in Standard Specifications for Plain & Reinforced Concrete
- All pipes must be new and perfectly sound, free from cracks, cylindrically straight and of standard nominal diameter and length, with even texture. PVC Pipes shall be Class-I as per IS: 4985.
- For pipe culverts, class of RCC pipe shall be NP3 / NP4 or as mentioned in the drawings.
- The Contractor shall submit manufacturer's test certificate for acceptance of RCC/PVC pipes.
- Spun yam for pipe joints shall be of best quality. It shall be free from dust etc.

4.0.0 TRANSPORTATION AND STACKING

- The transportation of materials to the worksite and stacking shall be done in a manner to cause minimum inconvenience to the traffic and other construction work.
- The pipe shall be protected during handling against impact, shocks and free fall to avoid cracks and damage.
- The Contractor shall be fully responsible for the safety and security of materials transported and stacked in the field.

5.0.0 EARTHWORK


Earthwork shall conform to the specification of earthwork covered in Standard Specifications

6.0.0 LOWERING AND LAYING OF RCC PIPES

The laying and jointing of RCC pipes shall confirm to IS: 783. The trench shall be checked for proper level, grade and alignment before lowering the pipes.

LOWERING

The RCC pipe shall be lowered cautiously to prevent disturbance to the bed and sides of the trench. The heavy RCC pipes shall be lowered by means of proper tripods, chain pulley blocks or as directed by Engineer-in-charge. Great care should be taken to prevent sand etc. from entering the pipes.

TECHNICAL SPECIFICATION FOR PIPE CULVERTS & BOX CULVERTS	Doc No.	Rev	
	GAIL-STD-CV-DOC-TS-023	1	
	Page 2 of 3		

LAYING

Laying of RCC pipes shall proceed upgrade of slopes. The error of grade shall not be rectified by packing up earth underneath the pipe. If required, concrete shall be used for packing. The end of RCC pipes shall be kept closed to keep dirt, mud and foreign materials out. Adequate provision shall be made to prevent floating of pipes in the event of flooding of trenches. The body of RCC pipe, for its entire length, shall rest on an even bed in the trench.

JOINTING OF RCC PIPES

Cement mortar 1:2 (1 cement: 2 sand) shall be slightly moistened and must on no account be soft or sloppy and shall be carefully inserted by hand into the joint. The mortar shall than be punched and caulked into the joint and more cement mortar added until the space of the joint have been filled completely with tightly caulked mortar. Any surplus mortar projecting inside the joint is to be removed and guarded against any damage. Sack or gunny bags shall be drawn past each joint after completion.


CURING

The Cement mortar joints in RCC pipes shall be cured at least for seven days.

TESTING

All joints in culvert pipelines shall be tested to a head of 1.5 m of water above the top of the highest pipe, if required, by Engineer-in-Charge.

For Box Culvert refer relevant Standard Drawing.

TECHNICAL SPECIFICATION FOR PIPE CULVERTS & BOX CULVERTS	Doc No.	Rev	
	GAIL-STD-CV-DOC-TS-023	1	
	Page 3 of 3		



GAIL INDIA LIMITED

**TECHNICAL SPECIFICATION
FOR
EARTHWORK IN SITE GRADING**


GAIL-STD-CV-DOC-TS-024

0	16.01.19	ISSUED FOR BID	SS	UN	SKK
Rev	Date	Purpose	Prepared By	Checked By	Approved By



CONTENTS

S.NO.	TITLE	PAGE NO.
1.0	SCOPE	3
2.0	REFERENCES	3
3.0	GENERAL	3
4.0	MATERIAL FOR EARTHWORK	3
5.0	CUTTING TREES	4
6.0	CLEARING AND STRIPPING	4
7.0	EARTHWORK IN EXCAVATION/CUTTING	5
8.0	EARTHWORK IN FILLING	5
9.0	REMOVAL OF SURPLUS EARTH	7

TECHNICAL SPECIFICATION FOR EARTHWORK IN SITE GRADING	Doc No.	Rev	
	GAIL-STD-CV-DOC-TS-024	0	
	Page 2 of 7		

1.0 SCOPE

This specification and the method of measurements described thereon are applicable for earthwork involved in Site Grading & Rock Cutting.

2.0 REFERENCES**2.1 BIS CODES**

- IS: 2720 Part IV - Methods of tests for soils.
- IS: 2720 Part V - Methods of tests for soils-Part 5, Determination of liquid & plastic limit.
- IS: 2720 Part VII - Methods of tests for soils Part 6, Determination of shrinkage factors.

2.2 VCS SPECIFICATIONS

- SS-CV-003 Earthwork for underground piping
- SS-CV-022 Earthwork in Foundations


NOTE: - Latest Edition of all Codes and Standards shall be followed.

3.0 GENERAL

- 3.1 CONTRACTOR shall maintain adequate drainage facilities at SITE at all times during the execution of work. Additional ditches, drains & such other temporary means to achieve this, over and above what is shown in the drawings, shall be provided and maintained by CONTRACTOR at his own cost.
- 3.2 Adequate dewatering facilities like dewatering pumps and piping etc. shall also be provided by the CONTRACTOR for this work, including dewatering during excavation etc. as required, at his own cost.

4.0 MATERIAL FOR EARTHWORK

- 4.1 Only soil considered suitable by the Engineer-in-charge shall be deployed for the construction and that considered unsuitable shall be disposed off, as directed by Engineer-in-charge, at his own cost and no claim for compensation will be entertained.
- 4.2 The CONTRACTOR shall give the samples of soil he proposes to use for filling, along with the following characteristics of the samples, to Engineer-in-charge for approval, prior to collection and use. The tests for these characteristics shall be done in a laboratory / test house as approved by Engineer-in-charge.
- Mechanical analysis or grain size analysis as per IS: 2720 Part IV.
 - Liquid limit as per IS: 2720 Part V.
 - Plastic limit as per IS: 2720 Part V.
 - Moisture density relationship as per IS: 2720 Part VII.

TECHNICAL SPECIFICATION FOR EARTHWORK IN SITE GRADING	Doc No.	Rev	
	GAIL-STD-CV-DOC-TS-024	0	
	Page 3 of 7		

- 4.3 The soil used for filling shall be free from boulders, lumps, tree roots, rubbish or any organic deleterious matter.
- 4.4 Soil having plasticity index less than 20 shall be used for filling purpose.
- 4.5 Soil having laboratory maximum dry density of less than 1.5 gm/cc shall not be used.
- 4.6 Care shall be taken to see that unsuitable waste material is disposed off in such a manner that there is no likelihood of its getting mixed with the material, proposed to be used, for filling.
- 4.7 The work shall be so planned and executed that the best available soil are reserved for the top portion of Embankments.

5.0 CUTTING TREES

- 5.1 All trees having girth above 30 cms, which are not marked for preservation, shall be cut down and their roots dug up to a depth of 1 metre from the existing ground level.
- 5.2 All holes or hollows produced by digging up roots shall be carefully filled with approved soil, including all leads and lifts, rammed and compacted to obtain 90% of maximum laboratory dry density of soil and levelled as directed.
- 5.3 All uprooted trees shall be stacked or disposed off as directed by Engineer-in-charge.

5.4 PAYMENT

This clause shall apply to item rate tenders only.


Cutting of trees above 30 cms girth shall be paid per number. The rate quoted shall include cutting, uprooting removing the trees within plant boundary as directed, including filling holes or hollows produced by removal of roots etc. as per specifications.

6.0 CLEARING AND STRIPPING

- 6.1 All the areas, including depressions, where filling or cutting is to be carried out shall be cleared and stripped completely of bushes, roots, vegetation, plantation trees, shrubs, trees upto 30 cms girth, organic and other objectionable materials. All these shall be completely uprooted and virgin soil exposed and not merely scrapped at the surface. The roots of trees of girth upto 30 cms shall be removed to a minimum depth of 1m below existing ground level and holes, hollows filled up with selected approved available soil within all leads and lifts and compacted to obtain 90% of laboratory dry density of soil as per IS: 2720, Part VII and leveled as directed by Engineer-in-charge. All soft patches must be worked out to remove soft soil and selected approved earth must be filled back and the areas (areas coming under filling) compacted to obtain 90% of maximum laboratory dry density of soil, as per IS: 2720 Part VII. The depth of stripping shall be generally 50 to 150 mm as decided by Engineer-in-Charge.
- 6.2 Material obtained from clearing shall be stacked or disposed off as directed by Engineer-in-charge within a lead as per directions of Engineer-in-Charge.

6.3 PAYMENT

This clause shall apply to item rate tenders only.

TECHNICAL SPECIFICATION FOR EARTHWORK IN SITE GRADING	Doc No.	Rev	
	GAIL-STD-CV-DOC-TS-024	0	
	Page 4 of 7		

No separate payment shall be made for clearing, stripping and disposal of materials obtained from clearing. This shall be considered as part of cutting work in areas of cutting and filling work in areas of filling and the rates quoted under the respective items of

- a. Earthwork in Excavation/ Cutting
- b. Earthwork in filling (both with available earth & earth obtained from approved borrow areas), shall be inclusive of clearing and stripping with all operations described above in clause no.9.0 in respective areas of cutting and filling.

No separate payment shall be made for clearing, stripping and disposal of materials obtained from clearing of borrow areas for earth. This shall be considered as part of filling work in area of filling and the rate quoted under the respective items.

7.0 EARTHWORK IN EXCAVATION/CUTTING

- 7.1 After clearing and stripping of areas as specified above in clause No.6.0, spot levels at intervals and pattern as decided by the Engineer-in-charge, shall be taken jointly by CONTRACTOR and Engineer-in-charge. Excavation / cutting shall commence only after the levels are signed by the contractor as a token of his acceptance.
- 7.2 Excavation/ cutting shall be carried out strictly as per the instruction of Engineer-in-charge.
- 7.3 If the contractor excavates/ cuts beyond the required level, additional quantity of earthwork shall not be paid for. The excavation taken below the specified level shall be made good by filling with approved material, to the required compaction, at Contractor's cost.
- 7.4 The final bed and sides of excavation must be levelled, dressed and compacted. In case of areas under excavation for site grading, the final surface shall be levelled, dressed and consolidated by means of sheep foot / power driven rollers to obtain maximum compaction. However, no test control is required in such areas.
- 7.5 Shoring and strutting shall be adopted only with the permission of Engineer-in-charge in writing. Such shoring and strutting shall follow the necessary specification.
- 7.6 Provisions for dewatering shall be governed by the relevant clauses.


7.7 PAYMENT

This clause shall apply to item rate tenders only.

Payment for Excavation shall be on the basis of volume of excavation calculated on the basis of joint level taken as per clause 7.1 and the final finished grade levels, the volume being calculated by the Trapezoidal rule including dewatering, if required. Intermediate payment will be on the basis of volume calculated based on spot levels taken during the time of the billing. Reference is also invited to clause 7.3.

8.0 EARTHWORK IN FILLING

- 8.1 After clearing, stripping and consolidation of areas as specified in clause 6.0, spot levels at intervals and pattern as decided by Engineer-in-charge shall be taken jointly by the CONTRACTOR and Engineer-in-Charge and filling shall commence only after the levels are

TECHNICAL SPECIFICATION FOR EARTHWORK IN SITE GRADING	Doc No.	Rev	
	GAIL-STD-CV-DOC-TS-024	0	
	Page 5 of 7		

signed by the CONTRACTOR as a token of his acceptance. Approved fill Material shall be spread in uniform layers not exceeding 30 cms in loose depth.

The contractor has to make his own approach and access roads from the borrow area to the demarcated filling areas. While the CONTRACTOR may make use of such short cuts as may be available to him for earth movement from borrow areas to the filling areas, the OWNER does not guarantee any passage way or right of way for the CONTRACTOR'S work other than available at site. No claim shall also be admissible to the CONTRACTOR on account of his having to take longer leads or routes for earth movement, than envisaged by him, either due to any road cuttings, non-availability of routes, or any other grounds whatsoever.

In case total filling required in any area consists of soil both from borrow areas and available approved excavated material from within plant area, then joint levels, shall be taken before commencing filling with earth from borrow area.


However, earth available from borrow areas required for filling can be used only after the available earth from excavation within demarcated area has been utilised and clearance to this effect obtained from the Engineer-in-charge.

- 8.2 All clods, lumps etc, shall be broken before compaction.
- 8.3 Successive layers of filling shall not be placed until the layer below has been thoroughly compacted and tested to satisfy the requirements laid down in this specification.
- 8.4 Prior to rolling, the moisture content of material shall be brought to within plus or minus 2% of the Optimum Moisture Content as described in IS: 2720 Part VII. The moisture content shall preferably be on the wet side for potentially expansive soil.
- 8.5 After adjusting the Moisture Content as described in clause 8.4, the layers shall be thoroughly compacted by either sheep foot roller or power driven roller or vibratory roller, as approved by Engineer-in-charge, till the specified maximum laboratory dry density is obtained.
- 8.6 Each layer shall be tested in field for density and accepted by Engineer-in-charge, subject to achieving the required density, before laying the next layer. A minimum of one test per 500m² for each layer shall be conducted.
- 8.7 If the layer fails to meet the required density, it shall be reworked or the material shall be replaced and method of construction altered as directed by Engineer-in-charge to obtain the required density.
- 8.8 The filling shall be finished in conformity with the alignment, levels, cross-section and dimensions as shown in the drawing.

Earthen embankment shall be filled 300mm more on both sides, where height is more than 1M and this extra filling shall be dressed, after compaction, in conformity with alignment, level, cross-section and dimension as shown in the drawing, to achieve proper compaction in the slope. No extra payment shall be made in this regard.

- 8.9 Extra material shall be removed and disposed off as directed by the Engineer-in-charge.

8.10 TOLERANCES

TECHNICAL SPECIFICATION FOR EARTHWORK IN SITE GRADING	Doc No.	Rev	
	GAIL-STD-CV-DOC-TS-024	0	
	Page 6 of 7		

General site grading, including cutting and filling in depressions, shall be carried out to within up down tolerance of +5 cms of final lines, grades and slopes.

8.11 EARTH WORK IN FILLING IN OPEN LINED/UNLINED WELLS

For earth work in filling in open lined/unlined wells, only locally available coarse sand shall be used, in layers of 500 mm thickness. Each layer shall be thoroughly wetted by sprinkling water, before next layer is filled up. Filling shall be done upto 1m depth below NGL as above. Layers from a depth of 1m below NGL, upto NGL, shall also comprise of locally available coarse sand and compacted with suitable Mechanical / manual means, to obtain same level of compaction as required for filling above NGL. Filling above NGL shall be done as per Cl. 8.1 to 8.10 above.

8.12 PAYMENT

This clause shall apply to item rate tenders only.

- a. Payment for filling shall be made on cubic metre of volume calculated on the basis of cross section plotted from the levels of ground, where filling is to be carried out and the levels reached after filling is duly consolidated, volume being calculated by Trapezoidal method.
- b. In case of simultaneous cut and fill operation, wherever specified, payment shall be made on the basis of one composite rate for cutting and filling. All other details about measurement etc. remaining same as above.
- c. Payment for filling in open wells, lined or unlined, shall be made on the basis of volume calculated on the basis of average area multiplied with depth of open well
- d. No extra payment shall be made towards testing.

9.0 REMOVAL OF SURPLUS EARTH


- 9.1 Surplus earth and soil from excavation and general site grading shall be removed from the construction areas to the area demarcated by the Engineer-in-charge.

9.2 PAYMENT

This clause shall apply to item rate tenders only.

Payment shall be made only for lead beyond initial lead from construction area. Rate shall include loading, transportation, dumping, stacking the surplus earth and soil in the area demarcated by the Engineer-in-charge.

Payment shall be made on cubic metre basis of the difference of measurements of the volumes of the excavation and the measurement of the filling with the excavated earth. However, the contractor's entitlement to payment shall be restricted to the actual quantity of earth removed. Quantity generated due to void in back filled volume of earth shall also be removed by the contractor at no extra cost and this disposal of earth shall not be measured and paid under any item.

TECHNICAL SPECIFICATION FOR EARTHWORK IN SITE GRADING	Doc No.	Rev	
	GAIL-STD-CV-DOC-TS-024	0	
	Page 7 of 7		



GAIL INDIA LIMITED

TECHNICAL SPECIFICATION FOR EARTHWORK FOR UNDERGROUND


GAIL-STD-CV-DOC-TS-025

Rev	Date	Purpose	Prepared By	Checked By	Approved By
0	16.01.19	ISSUED FOR BID	SS	UN	SKK



CONTENTS

S.NO.	TITLE	PAGE NO.
1.0	SCOPE	3
2.0	REFERENCES	3
3.0	MATERIAL.....	3
4.0	EARTHWORK IN EXCAVATION FOR TRENCHES / PITS FOR PIPELINES	3
5.0	BACKFILLING AND COMPACTION IN TRENCHES AND AROUND VALVE PITS, MANHOLES ETC.....	5
6.0	TRANSPORTATION OF SURPLUS EARTH	6
7.0	PAYMENT	6

TECHNICAL SPECIFICATION FOR EARTHWORK FOR UNDERGROUND	Doc No.	Rev	
	GAIL-STD-CV-DOC-TS-025	0	
	Page 2 of 6		

1.0 SCOPE

This specification deals with earthwork in trenches and pits (for valves, manholes, catch pits etc.) for underground piping.

2.0 REFERENCES**2.1 BIS CODES**

IS: 783 Code of practice for laying of RCC pipes.

IS: 1200 (Part-I) Method of measurement of building and civil engineering works.

IS: 3764 Excavation work - code of safety.

ABBREVIATIONS:

m : Metre

cm : Centimetre

mm : Millimetre

km : Kilometre

U/G : Underground

3.0 MATERIAL

All workmanship and materials shall conform to the provisions of IS: 1200 (Part-1) and IS: 3764.

4.0 EARTHWORK IN EXCAVATION FOR TRENCHES / PITS FOR PIPELINES**4.1 EXCAVATION**


Plant, machinery and equipments for excavation shall be selected and deployed to provide optimum mechanization in excavation of trenches and pits. The selection for excavation and earth movement machinery etc. shall take into account type of materials to be excavated, method of excavation, prevailing weather conditions and type of transport to be used.

The excavation of area of cut shall be so timed that the bottom level is not exposed to the deteriorating influence of the weather for longer duration.

Excavation and earth moving equipment shall be deployed such that minimum damage is caused to the natural sub-soil structure of exposed formations.

The monitoring of soil deformations, ground water levels during and possibly after construction work shall be taken into consideration.

In the event, when excavation works are carried out in the vicinity of structures of any importance, the above monitoring shall be carried out within a distance, from the edge of the


TECHNICAL SPECIFICATION FOR EARTHWORK FOR UNDERGROUND	Doc No.	Rev	
	GAIL-STD-CV-DOC-TS-025	0	
	Page 3 of 6		

excavation of 5 to 15 times the excavation depth, depending upon the subsoil conditions and the stability of the neighboring structures.

- 4.2 Trenching work shall be carried out in all classes of soil including soft rock and excluding hard rock and shall be for all depths.
- 4.3 The trench shall be cut true to the line and level as per drawings.
- 4.4 If the trench is excavated below the required level than that indicated in the drawing, the extra depth shall be filled with concrete 1:5:10 or approved equivalent materials, as directed by the Engineer-in-Charge, at no extra cost to the owner.
- 4.5 In case of pressure piping, the trench shall be excavated generally as to provide a cover of 1000 mm or dia of pipe whichever is more. In case of gravity sewers/ pipes, the trench shall be excavated to conform to invert levels as per drawings. However in certain cases, the pipes may run at shallower levels or at deeper levels depending upon drawing, site condition etc. No rebate for lesser excavations, nor extra payment due to deeper excavations, shall be admissible in those cases where pipeline laying rates are inclusive of earthwork items. The rates quoted shall be deemed to cover all works connected with trenching, whether trenches are with single pipeline or have multiple pipelines in common trenches including road cutting and making good the same.
- 4.6 The width of the trench shall be sufficient to give free working space of personnel, equipment, supports and ancillaries on each side of the pipe. The free working space shall conform to IS: 783. Generally it shall not be less than 150 mm on either side or 1/3 dia of outer diameter of the pipe, whichever is greater.
- 4.7 When pipelines are running parallel, whether the trenching shall be individual or common, shall be decided by the Engineer-in-Charge and such decision shall be final and binding on the contractor. No extra shall be payable for common excavations.
- 4.8 All earthwork involved in excavations of all types of manholes, catch pits, valve chambers, inspection chambers, chambers for instrumentation tapping etc., which are coming on the alignment of U/G piping or as defined by drawing as a part of U/G piping work, shall be paid extra under Earth work in excavation, back filling and removal of surplus earth etc. under relevant clauses of the SOR.
- 4.9 Aspects such as variations in the soil conditions and the geological structure, depth of excavation, the existence of ground water and surface water, the type and extent of excavation, the topography of site, the proximity of items such as roads, buildings and buried services, construction traffic and activities near the excavation eg. stock piling shall be taken into account when determining whether the sides of excavation should be free standing, sloping or temporary supported.

Suitable drainage and / or dewatering system like Well Point method / Bore well method etc. shall be provided to prevent or limit ingress of surface or sub surface water into excavation.

Serviceable materials intended for reuse should be used as soon as possible after excavation otherwise they should be stock piled at a location beyond 1.5m from the top edge of the excavation or beyond a distance equal to the depth of the excavation whichever is higher at a location approved by the Engineer-in-charge. If excavated serviceable material is not possible to be stacked within the limits specified above, due to some constraint, it shall be stacked away at a location approved by Engineer-in-Charge and paid separately under relevant item.

TECHNICAL SPECIFICATION FOR EARTHWORK FOR UNDERGROUND	Doc No.	Rev	
	GAIL-STD-CV-DOC-TS-025	0	
	Page 4 of 6		

Areas used for temporary stockpiling of excavated material shall be kept clean and orderly, with excavated material kept by the side of road to avoid traffic movement. Excavated areas shall be restored to their original condition before completion of works. All types of shoring and strutting, wherever necessary, shall be adopted to withhold the face of earth or cutting in slope, as per site requirements and direction of Engineer-in-Charge. Supports shall be maintained such that the integrity of the sides of the excavation is not impaired.

- 4.10 Any obstacle encountered during excavation shall be reported immediately to the Engineer-in-Charge and shall be dealt with as instructed.
- 4.11 The contractor shall maintain all excavated trenches and pits, in a dry and trim condition.
- 4.12 Necessary barricading and protection of slopes against slips due to traffic movement shall be provided to the satisfaction of Engineer-in-Charge. Necessary warning flags and lights shall be provided to caution traffic in the areas where trenches and/ or pits are provided.
- 4.13 In case of road cutting, all road material i.e. metal etc., shall be taken out carefully and kept separately for reuse and road work shall be redone up to the original level, as it was prior to cutting the road, with the excavated road materials after laying and testing of the pipeline, within 10 days from the date of starting this work, at the cost of the contractor. The contractor shall provide suitable warning signs and barricades to prevent accidents.

Contractor shall also provide reasonable bye pass at his own cost when a road is cut for laying pipeline. Tankage dykes cut due to laying of the pipes, shall be redone conforming to the original specifications, by the Contractor at his own cost. Secondary dykes, to take care of any eventuality during construction, shall be provided by the Contractor at his own cost.

- 4.14 Dewatering shall be done in advance of the installation of the pipe to allow adequate inspection of padding of the bottom, if required. Dewatering shall be continued throughout during installation and backfilling.

The trench shall follow the gradient of pipeline as specified in the drawing. The contractor shall keep the trench in good condition, until the pipe is laid and tested. No extra claim shall be entertained due to its caving or setting down, either before or after the pipe is laid.


In case, pipe is lowered in caved trench and backfilled before being inspected by the Engineer-in-Charge, the Contractor shall re-excavate the trench for inspection and backfill it at his own cost.

5.0 BACKFILLING AND COMPACTION IN TRENCHES AND AROUND VALVE PITS, MANHOLES ETC.

BACKFILLING

Trenches shall be back filled with suitable materials which should be compacted to the same degree or better as the surrounding soils.

- 5.1 The soil used should be selected and approved by Engineer-in-Charge. Suitable material can be extracted from available excavated material. The soil should be free from rubbish, grass, organic matter, stones, building waste and Black Cotton Soil etc. It should be free from clods and hard lumps. In case good soil is not available from excavated material for back filling, trench shall be filled back with locally available coarse sand upto 30 cm. thick above the pipe and rest of trench shall be filled back with excavated soil upto required level.'

TECHNICAL SPECIFICATION FOR EARTHWORK FOR UNDERGROUND	Doc No.	Rev	
	GAIL-STD-CV-DOC-TS-025	0	
	Page 5 of 6		

- 5.2 The filling should commence only after approval of Engineer-in-Charge is obtained and after the structures or pipes to be buried are tested and approved. Otherwise, if required, contractor shall uncover buried portion and refill at his own cost.

Temporary excavation supports should be removed as back filling and compaction proceeds, such that unacceptable movement of the supported ground does not occur.

Voids caused by extracted supports should be filled and compacted.

- 5.3 Filling should be done in layers. Each layer should be not more than 15 cm thick when loose and should be well rammed, with necessary watering, to obtain at least 90% of maximum laboratory dry density.

Compaction trials should be carried out on each soil type to be placed in backfill, in order to confirm the type of machine and number of passes required to obtain optimum compaction for given soil moisture contents. These trials should also be used to determine the variability of the proposed fill material for different weather conditions.

- 5.4 Care must be exercised to protect cables, pipes, joints, and other features from damage due to backfilling and consolidation.
- 5.5 Filling should extend up to the level of original ground surface or as per drawing or as directed by Engineer-in-Charge. The finished surface should be properly trimmed and dressed. The adjoining area should be cleaned and no heaps of surplus earth should be left out.

6.0 TRANSPORTATION OF SURPLUS EARTH


Unserviceable materials and serviceable materials not intended for re-use shall be removed from the work site and disposed off at a location as approved by Engineer-in-charge.

The surplus earth is generated due to pipe laying, valve chambers, and manhole construction etc. Surplus earth is also generated due to voids in the back filled volume of earth. The removal of surplus earth shall include excavation, loading, transportation, dumping, stacking or spreading, as per the directions of Engineer-in-charge.

7.0 PAYMENT

This clause shall be applicable for item tender rate only.

- 7.1 Unless specifically stated in the schedule of rates, no separate payment for earthwork in excavation, backfilling, transportation, dewatering etc. shall be admissible and the payment for the same is deemed to have been included in the relevant items of the contract.
- 7.2 In case payment for earthwork is specified separately in the Schedule of Rates, the payment shall be based on the actual quantity of excavation, backfilling and transportation done, taking into consideration the slopes authorized by the Engineer-in-Charge for excavation, volume of backfilling calculated on the basis of excavation reduced by the volume of pipes.
- 7.3 In cases where hard rock excavation is involved, the matter shall be referred to Engineer-in-Charge, before proceeding with the work.

TECHNICAL SPECIFICATION FOR EARTHWORK FOR UNDERGROUND	Doc No.	Rev	
	GAIL-STD-CV-DOC-TS-025	0	
	Page 6 of 6		



GAIL INDIA LIMITED

**TECHNICAL SPECIFICATION
FOR
SOIL INVESTIGATION FOR STATIONS**

GAIL-STD-CV-DOC-TS-026

0	16.01.19	ISSUED FOR BID	SS	UN	SKK
Rev	Date	Purpose	Prepared By	Checked By	Approved By



ABBREVIATIONS:

m	:	Metre
mm	:	Millimetre
	:	Centimetre
kg/cm ²	:	Kilogram Per Square Centimetre
IS	:	Indian Standard
kg	:	Kilogram
°/sec	:	Degree /second

	TECHNICAL SPECIFICATION FOR SOIL INVESTIGATIONS	Document No.	Rev
		GAIL-STD-CV-DOC-TS-026	0
		Page 2 of 30	

CONTENTS

S.NO.	TITLE	PAGE NO.
1.0	SCOPE.....	4
2.0	REFERENCE.....	4
3.0	SOIL INVESTIGATIONS.....	4
4.0	LABORATORY TESTING OF SOILS.....	20
5.0	REPORT.....	21
6.0	ANNEXURE-A.....	23
7.0	ANNEXURE-B.....	24
8.0	ANNEXURE-C.....	25
9.0	ANNEXURE-D.....	27
10.0	ANNEXURE-E.....	29

	TECHNICAL SPECIFICATION FOR SOIL INVESTIGATIONS	Document No.	Rev
		GAIL-STD-CV-DOC-TS-026	0
		Page 3 of 30	

1.0 SCOPE

- 1.1 Thesespecificationscovertheprocedureforsoilinvestigationsforfoundation
- 1.2 Theworkshallbe carriedoutinaccordancewiththe specificationssetoutbelow andas directedbytheEngineer-in-Charge,wherevernecessary.

2.0 REFERENCE

- 2.1 Thesespecificationsconform totheIndianStandardsonSoilsandFoundationsasgiven inANNEXURE-A.
- 2.2 Referencetoany codeintheseprecificationsshallmeanthelatestrevisionofthecode unlessotherwisementioned.Inthe eventofany conflict betweenthe requirementsin thesespecificationsandthereferredcodes,theformer shallgovern.


3.0 SOIL INVESTIGATIONS

3.1 Boring

Boringshallbe carriedoutinaccordancewiththe provisionsofIS:1892 andasper the specificationsgivenbelow:

3.1.1 AUGER BORING

- 3.1.1.1 Augersshallbeofhelicalorposttypeandmaybemanuallyorpoweroperated.Beyond 5metersdepth,below ground,onlypoweroperatedrigshallbeused.The diameterof the holeshallbeminimum100mmandpreferably 150mm.
- 3.1.1.2 Uncasedholeshallbepermittedonly uptoadepth wherethe sidesofthe hole can stand unsupported.In caseside fallis noticed,steps shall be taken immediately to stabilize the holes by usingbentonite slurryor by casingpipesas directedby the Engineer-in-Charge.
- 3.1.1.3 No watershallbe addedwhile boring through cohesionsoilsandcohesionlesssoil abovewater table.Whileboring throughcohesionlesssoilbelow watertable, waterin thecasingshallalwaysbemaintainedatorabovethewater table.
- 3.1.1.4 Thecuttingsbroughtupbytheaugersshallbecarefullyexaminedandsoil descriptions dulyrecord.Representativesampleshallbepreservedforlaboratorytesting.
- 3.1.1.5 Whereverin-situstestsare conductedandundisturbedsamplesareobtainedatspecified depthsfrom the borehole,careshallbetakento ensurethat theboreholeis properly cleanedandfreefromforeignmattersatthetimeofconductingtheseoperations.
- 3.1.1.6 Watertable intheboreholeshallbecarefullyrecordedandreported.One ofthefollowing methodsshallbeadoptedformeasuringthewatertable:

	TECHNICAL SPECIFICATION FOR SOIL INVESTIGATIONS	Document No.	Rev
		GAIL-STD-CV-DOC-TS-026	0
		Page 4 of 30	

a. The water table in the boreholes shall be allowed to stabilize after depressing the water level adequately by bailing. Stability of the borehole sides and bottom shall be ensured at all times.

b. The boreholes shall be filled with water and then bailed out to various depths. Observations shall be made at each depth to see if the water level is rising or falling. The depth at which neither a fall nor a rise is observed, shall be considered as the water table depth. This shall be established by three successive readings of water levels taken at intervals of 2 hours.

c. Hvorslev's Method

The water level shall be depressed by bailing (to say D below ground level) and shall then be allowed to rise. Water rise at suitable equal intervals of time shall be recorded. The distance of depressed water level from the actual water table shall be obtained by the following formula:

$$H_0 = \frac{h_1^2 - h_2^2}{2(h_1 - h_2)}$$

Where

H_0 - distance of the depressed water level from actual water table, and h_1 and h_2 are two successive rises of water level in the borehole for the same time interval.

The water table depth (H_d) from ground level shall be determined as under: $H_d = D - H_0$

Three sets of observations shall be made and the average value of H_d determined.


Method (a) is suitable for permeable soil while methods (b) and (c) are suitable for both permeable and impermeable soils. The Engineer-in-Charge shall indicate the method to be followed.

3.1.1.7 Immediately on completion of a borehole, bore log shall be prepared in an approved form as given in ANNEXURE B to these specifications and submitted to the Engineer-in-Charge in triplicate.

3.1.2 SHELL AND AUGER BORING

3.1.2.1 Augers shall be of helical or post-hole type and may be manually operated. The diameter of the hole shall be minimum 100mm and preferably 150mm.

3.1.2.2 Specifications set forth in clauses 3.1.1.2 to 3.1.1.7 for Auger Borings shall apply to Shell and Auger borings also.

	TECHNICAL SPECIFICATION FOR SOIL INVESTIGATIONS	Document No.	Rev
		GAIL-STD-CV-DOC-TS-026	0
		Page 5 of 30	

3.1.2.3 Auger shall be used for soft to firm clay and for silty deposits at upper depths of 10 metres or up to the watertable whichever is deeper. For deeper depths in such deposits and for every stiff to hard clays and dense sands located at any depth, use of shell may be made.

3.1.2.4 While boring in soft clays and in sandy deposits below watertable, it shall be ensured that, the shell diameter shall be at least 25 to 50 mm less than the casing diameter. This is to ensure that suction is not created in the borehole during withdrawal of the shell with consequent "Caving in and blowing" in the boreholes.

3.1.3 ROTARY MUD CIRCULATION DRILLING

3.1.3.1 The drillings shall be carried out manually (as per IS: 1892) or by use of a suitable mechanical rig.

3.1.3.2 Drillings up to watertables shall be done by auger and provisions of clauses 3.1.1.1 to 3.1.1.7 shall apply. Below the water table drilling by rotary and circulation shall be adopted.

3.1.3.3 Use of percussion tools may be permitted in very stiff to hard clays and dense sandy deposits.

3.1.4 BACKFILLING OF BOREHOLES

On completion of boreholes, backfilling shall be carried out with approved materials as and when directed by the Engineer-in-Charge. Unless otherwise specified, the excavated soil shall be used for the purpose.

3.1.5 TERMINATION CRITERIA

If very hard strata are met within the borehole at depths shallower than specified in tender documents, the borehole shall be advanced by chiseling. If in the opinion of the Engineer-in-charge, the rate of advancement of borehole is still low, coring may be resorted to subsequently.

3.2 TRIAL PITS

3.2.1 Trial pit shall be of min. 3m x 3m size at bases so as to permit easy access for a visual examination of the walls of the pit and to facilitate sampling and in-situ testing operations.

3.2.2 Precautions shall be taken to ensure the stability of pit walls, if necessary even by the provision of shoring. Arrangements shall be made for dewatering, if the pit is extended below water table.

3.2.3 In-situ tests shall be conducted and undisturbed samples obtained immediately on reaching the specified depths, so as to avoid substantial moisture changes in the subsoil.

	TECHNICAL SPECIFICATION FOR SOIL INVESTIGATIONS	Document No.	Rev
		GAIL-STD-CV-DOC-TS-026	0
		Page 6 of 30	

3.2.4 To ascertain the thickness of the black cotton soil layer existing at the top, trial pits shall be examined visually. Usually it is found that immediately after the black cotton soil, there exists a layer of calcareous (lime) nodules or the white patches which helps to determine the exact thickness of expansive clay layer. Generally, below this layer the possibility of existence of black cotton soil does not exist.

3.2.5 After completion of tests and examination the pits shall be suitably backfilled as directed, by the Engineer-in-charge. Unless otherwise specified the excavated soil shall be used for this purpose.

3.3 IN-SITU TESTING

3.3.1 STANDARD PENETRATION TEST

3.3.1.1 The tests shall be conducted at specified intervals or at a depth where the strata changes, whichever occurs earlier.

3.3.1.2 The tests shall be carried out by driving a standard split spoon by means of 63.5 kg hammer with a 75 cm free fall. Detailed procedure of testing, as specified in IS:2131, 'Method of Standard Penetration Test in Soils' shall be followed. The samples obtained in the split spoon shall be labeled and preserved for identification tests in the laboratory.

3.3.1.3 The standard penetration test shall be discontinued when N is greater than 75 blows for 30 cm of penetration.

3.3.2 VANESHEAR TESTS

3.3.2.1 These tests shall be conducted in soft to firm clays and sensitive clays. These tests shall also be conducted in case of stiff fissured clays where samples cannot be taken.

3.3.2.2 Tests may also be conducted by direct penetration from ground surface.

3.3.2.3 The apparatus used for vane shear tests shall satisfy the requirements as per IS:4434. a.

For test from bottom of borehole

- i. Vane shall consist of four mutually perpendicular blades as illustrated in Fig.1. The height of the vane should be twice the overall diameter. It is recommended that the overall diameter of the vane should be 37.5, 50, 65, 75 or 100 mm. The design of the vane shall be such that it causes as little remoulding and disturbance as possible to the soil when inserted into the ground for a test. The blades shall be as thin as possible, consistent with the strength requirements. The vane should not deform under the maximum torque for which it is designed. The penetrating edge of the vane blades shall be sharpened having an included angle of 90°. The vane blades shall be welded together suitably either directly or to a central

	TECHNICAL SPECIFICATION FOR SOIL INVESTIGATIONS	Document No.	Rev
		GAIL-STD-CV-DOC-TS-026	0
		Page 7 of 30	

rod, the maximum diameter of which should preferably not exceed 12.5 mm. The area ratio of the vane shall be kept as low as possible and shall not exceed 18 percent for the 37.5 mm vane and 12 percent for the 50, 65, 75 and 100 mm diameter vanes. The area ratio may be calculated using the following formula.

$$A_s = \frac{8t(D-d) + \pi d^2}{\pi d^2} \times 100(\%)$$

Where A

= area ratio in percent

t = thickness of vane blades in mm.

D = overall diameter of vane in mm and

d = diameter of central vane rod including any enlargement due to welding in mm.

Note 1: The vane selected should be the largest size suitable for the general soil conditions at site.

The vane rod (the rod to which the vane blades are fixed) may be enclosed in a suitably designed sleeve from just above the blades and throughout the length it penetrates the soil to exclude the soil particles and the effects of soil adhesion. This sleeve shall commence above the blades at a distance equivalent to about two diameters of the vane rod.

Note 2: The vane shall be frequently checked for straightness.

- ii. Torque applicator - The torque applicator shall have a clamping device to rigidly secure it to the anchor casing and shall have an attachment to securely hold the string of rods connecting the vane.

The instruments shall be capable of applying torque to the vane through the string of rods and to measure the same. It should also have a device to read the angular rotation of the upper end of the extension rod. The torque applicator shall be provided with speed control so that the rate of rotation may be maintained at 0.1°/sec. Friction exerted by the torque applicator shall be of negligible magnitude and shall be checked periodically. Depending upon the estimated shear strength of the soil the following table (Table I) may be used as a guide for the selection of torque applicator of capacity 60 N.m (600 kgf.cm)


	TECHNICAL SPECIFICATION FOR SOIL INVESTIGATIONS	Document No.	Rev
		GAIL-STD-CV-DOC-TS-026	0
		Page 8 of 30	


TABLE-1
SELECTION OF TORQUE APPLICATOR

Estimated Shear Strength in KN/m ² (kgf/cm ²)	Vane size (dia) suitable for use with 600 kgf. Cm torque applicator
10(0.1)	All sizes
20(0.2)	All sizes except 100 mm size
30(0.3)	All sizes except 100 mm size
40(0.4)	All sizes except 75 mm and 100 mm size
50(0.5)	All sizes except 75 mm and 100 mm size
60(0.6)	37.5 mm and 50 mm size.
70(0.7)	37.5 mm and 50 mm size.

The capacity and accuracy of the instruments shall be one of the following as may be specified by the purchaser:

1. Measure torque up to 60 N.m (600 kgf.cm) to an accuracy of 1 N.m (10 kgf.cm),
- or
2. Measure torque up to 200 N.m (2000 kgf.Cm) to an accuracy of 2.5 N.m (25 kgf.cm)

iii. Rod system- The string of torque rods connecting the vane to the torque applicator, called the rod system may be of quick coupling type or of the threaded type. The length of the rod shall preferably be 1 m with a few of smaller lengths. These rods shall have sufficient diameters such that their elastic limit is not exceeded when the vane is stressed to its capacity (see note 3). The threaded rods shall be so coupled that the shoulders of the male and female ends shall meet to prevent any possibility of the coupling tightening when the torque is applied during the test. If vane housing is used, the torque rods shall be equipped with well-lubricated bearings where they pass through the housing. These bearings shall be provided with seals to prevent soil from entering them. The torque rods shall be guided so as to prevent soil so as to prevent friction from developing between the torque rods and the walls of casing or boring.

	TECHNICAL SPECIFICATION FOR SOIL INVESTIGATIONS	Document No.	Rev
		GAIL-STD-CV-DOC-TS-026	0
		Page 9 of 30	

Note3: If torque versus rotation curve is to be determined, it is essential that the torque rods be calibrated (prior to the use in the field). The amount of rod twist (if any) shall be established in degree per metre per unit torque. This correction becomes progressively more important as the depth of test increases. The calibrations shall be made at least to the maximum depth of testing anticipated.

- iv. Dummy Rod- of dimension equal to that of the vane rod of the vanes used.
- v. Guides for Rod-of suitable type provided with ball bearing attachments so as to enable the rod to rotate freely (see Note iv.)

Note4: During the test, it is essential that the rods and vane are placed centrally in the bore-hole. For this purpose guides shall be used at an interval in depth of not more than 5m.

- vi. Drilling equipment - the equipment shall provide a clean hole of the required diameter for insertion of the vane to ensure that the vane test is performed on undisturbed soil.
- vii. Jacking Arrangement - for pushing the shoe and vane (where required)

Note5: The apparatus shall be checked and calibrated as and when required. b.

For tests by Direct Penetration from Ground Surface

- i. Vane - as specified in 3.3.2.3(a). In addition the vane shall be suitably protected by a shoe (see Fig. 2)
- ii. Rod System - as specified in 3.3.2.3 (a) and of suitable type.
- iii. Extension Pipes - about one metre length with coupling on the outer face to ease the hole.
- iv. Torque Applicator - as specified in 3.3.2.3(a)

Note6: The apparatus shall be checked and calibrated as and when required.


3.3.2.4 Tests from the bottom of a Bore Hole

- a. Sink the bore-hole up to the depth required and extend the casing up to the full depth. If the casing is loose, secure it so that it does not move during the tests. Fix the torque applicator or anchor plate to the casing.
- b. Connect the vane of suitable size (see Note 1) to the rods and lower it to the bottom of the bore-hole, putting guides at suitable intervals but not more than

	TECHNICAL SPECIFICATION FOR SOIL INVESTIGATIONS	Document No.	Rev
		GAIL-STD-CV-DOC-TS-026	0
		Page 10 of 30	

about 5m the rods are extended. Push the vane with a moderately steady force up to a depth of 5 times the diameter of the borehole below the bottom of the borehole or shoe. Take precautions to make sure that no torque is applied to the torque rods during the thrust. No hammering shall be permitted. Fix the torque applicator with a frame to the anchor plate and connect the rods to it. Tighten the torque applicator to the frame properly. A diagrammatic vane test arrangement for test from bottom of bore-hole is shown in Fig. 3

- c. Allow a minimum period of 5 minutes after insertion of the vane. Turn the gear handles so that the vane is rotated at the rate of 0.1°/s. Note the maximum torque reading attained. If necessary, note the torque indicator dial gauge readings at half minute intervals and continue rotating the vane until the reading drops appreciably from the maximum.
- d. Just after the determination of the maximum torque, rotate the vane rapidly through a minimum of ten revolutions. The remoulded strength should then be determined (see c. above) within one minute after completion of the revolutions.
- e. Remove the vane testing assembly, continue boring and collect soil sample from the level of the vane testing for laboratory analysis to ascertain whether the deposit will behave as a purely cohesive soil.
- f. In case where a sleeve is not provided for the vane rod and the soil is in contact with the rod, determine the friction between the soil and the vane rod by conducting tests at appropriate depths using the dummy rod corresponding to that of the vane used in the test. The tests should be conducted as with the vane except that the vane is replaced by dummy rod. The tests should be conducted in an adjacent bore-hole at the same depth at which the vane tests were conducted. The dummy rod should be pushed into the ground to the same distance as the vane rod at that depth.
- g. Following points shall, however, be carefully supervised in the field;
 - i. Straightness of vane shall be checked while the entire assembly of vane connected with rod is being lowered to the bottom of boreholes. Vane shall be pushed with a moderate steady force up to a depth of five times the borehole diameter below the bottom of boreholes. Precautions shall be taken to ensure that no torque is applied to the torque rods during the thrust. No hammering shall be done.
 - ii. An interval of 5 minutes shall be allowed to lapse after insertion of vane.
 - iii. Torque indicator readings shall be noted at intervals of 30 seconds until the vane readings drop appreciably from the maximum.

	TECHNICAL SPECIFICATION FOR SOIL INVESTIGATIONS	Document No.	Rev
		GAIL-STD-CV-DOC-TS-026	0
		Page 11 of 30	

iv. Samples shall be collected from the levels at which the tests have been conducted.

3.3.2.5 Tests by Direct Penetration from Ground Surface-Rods shall remain tight when vane is lowered. Guides shall be placed at every 3m to centralize and reduce friction between rods and extension pipe.

3.3.2.6 Records-Records of vane tests shall be maintained in the form given in ANNEXURE- C

3.3.3 DYNAMIC CONE PENETRATION TESTS:

3.3.3.1 Dynamic Cone penetration tests shall be conducted by driving a standard size cone attached loosely or screwed to a string of drill rods. The driving system shall comprise of 65kg weight having a free fall of 75cm.

3.3.3.2 The method of conducting the test and details of the equipment shall conform to one of the two alternatives given below. The particular method to be followed is indicated under specific requirements:

- a. The test shall be conducted in accordance with IS:4968 (Part I)-The cone size shall be 50mm.
- b. The test shall be conducted in accordance with IS:4968 (Part II). A continuous flow of bentonite slurry shall be maintained through the rods and the cones as to avoid friction between the rods and the soil. The cone size shall be 65mm and provided with vents for flow of bentonite slurry.

The test shall be reported in a suitable tabular form giving blow counts for every 30cm. Penetration, supplemented by a graphical plot of blow counts versus depth.

3.3.3.3 Dynamic cone penetration tests shall be terminated when blow counts (N_c) exceed 150 for two successive penetrations of 30cm each.


3.3.4 STATIC CONE PENETRATION TEST.

3.3.4.1 The equipment used for this test shall conform to the requirements of IS:4968 (Part-III)

3.3.4.2 The capacity of the equipment to be used for test shall not be less than 3.0 tones but preferably 10.0 tones.

3.3.4.3 The test shall not be carried out on gravelly soils and for soils with standard penetration value 'N' greater than 50.

3.3.4.4 Test Procedure-Test procedures shall meet the requirements of IS:4968 (Part III). Some of the important points of the procedure are given below:

	TECHNICAL SPECIFICATION FOR SOIL INVESTIGATIONS	Document No.	Rev
		GAIL-STD-CV-DOC-TS-026	0
		Page 12 of 30	


- a. The cone is pushed through a distance in accordance with the design of the equipment and the need for the sub-strata and the cone resistance noted. The cone and the friction jacket are pushed together subsequently for a distance depending upon, the design of the cone and friction jacket assembly and the combined value of cone and friction resistance noted. This procedure is repeated at predetermined intervals.
- b. Equipment shall be securely anchored to the ground at the test point for obtaining the required reaction.
- c. The rod of the driving mechanism shall be brought to the top most position. The cone-friction jacket assembly shall be connected to the first sounding rod and the mantle tube. The assembly shall be positioned over the test point through the mantle tube guide and held vertically. The plunger of the driving mechanism shall be brought down so as to rest against the protruding sounding rod.
- d. To obtain the cone resistance, this sounding rod only shall be pushed. Switching the gear clutch to the slow position, the drive handle shall be operated at a steady rate of 1 cm per sec approximately, so as to advance the cone only to a depth which is possible with the cone assembly available. During the pushing, the mean value of resistance as indicated by pressure gauges shall be noted ignoring erratic changes.
- e. For finding combined cone and friction resistance of the soil the sounding rod, shall be pushed to the extent, the cone has been pushed at the rate of 1 cm per sec noting mean resistance on the gauges.
- f. Above procedure shall be repeated after pushing the combined cone-friction jacket and mantle tube assembly to the next depth at which the test is to be performed.
- g. This sequence of operation of the equipment is shown in the figure 4.

3.3.4.5 The performance record of results of static cone penetration test shall be as given in ANNEXURE-D.

3.3.5 PLATE LOAD TEST

3.3.5.1 Plate size and thickness

- a. For clayey and silty soils and for loose to medium compact sandy soils ($N < 15$) normally met with, chequered plate of 60cm x 60cm shall be used. Alternatively, circular plate of equivalent area also may be used.
- b. For dense sandy or gravelly soils ($15 < N < 30$) the smallest size shall be 30cm square and largest 75cm square. Circular plates of equivalent area may also be used.
- c. The minimum thickness of the chequered plate shall be 25mm.

	TECHNICAL SPECIFICATION FOR SOIL INVESTIGATIONS	Document No.	Rev
		GAIL-STD-CV-DOC-TS-026	0
		Page 13 of 30	

3.3.5.2 Test pit

- a. Test pit shall be at least five times as wide as the test plate and the depth of the pit shall be the same as the depth of actual foundations.
- b. If the test is to be done on strata water table, the water level shall be maintained at the plate level, if necessary, throughout the test by dewatering, especially in sandy soils.
- c. The test shall be conducted immediately after examination of soil.

3.3.5.3 Placing of test plate

Plates shall be added to the soil by spreading fines and a layer not exceeding 5mm carefully levelled and set horizontally at the bottom of the pit. The ground shall be protected from rain and a minimum sealing pressure of 70g/cm^2 shall be applied and removed before starting the load test.

3.3.5.4 Method of loading

The reaction method of loading shall be employed. In this method loading is done by a jack against suitable reaction, such as a well as designed truss anchored to the ground at the two ends by soil anchors, loaded platform or any other suitable device. A typical arrangement is shown in Figures 5 and 6.

3.3.5.5 Application of load

- a. Loading shall be carried out in increments of $1/5$ design load or about 0.3kg/cm^2 whichever is lower.
- b. Loading shall be carried out till one of the following conditions occurs:
 - i. Soil under the plate fails.
 - ii. Total settlement of the plate exceeds 40mm.
 - iii. Load intensity equal to thrice the design load is reached.
 - iv. Load intensity 6.5kg/cm^2 is reached.

3.3.5.6 Settlement and Observation

- a. Settlements shall be recorded with four dial gauges.
- b. Settlements shall be observed for each increment of load after an interval of 1, 4, 9, 16, 25, 36 and 64 minutes and thereafter every one hour.

	TECHNICAL SPECIFICATION FOR SOIL INVESTIGATIONS	Document No.	Rev
		GAIL-STD-CV-DOC-TS-026	0
		Page 14 of 30	

- c. Thenextloadincrementshallbeappliedwhenthe rateofsettlementislessthan 0.05 mm/hourwithaminimumperiodoftwo hours.For computingtherate of settlementitsextrapolationforperiodslessthan onehourshallnotbepermitted.

3.3.5.7 Unloading

- a. Unloading shallbedoneinstagesinthesamemanneraswasdone duringthe applicationof load.Rebound observationsduring the unloading alsoshallbe noted.
- b. Rebound shallbe noted during unloading stagesuntilthe readings become reasonablyconstant.

3.3.5.8 Record

- a. Recordshallconsistofthefollowing:
 - i. Load-settlementreadingintabular form.
 - ii. Time-Settlementcurveforeachloadstage.
 - iii. Load-settlementcurve innaturaland log-logscale. iv. Modulusofsub-gradereactionevaluatedfromtest.
- b. Inadditiontoabovetherecordshallalso containthefollowing:
 - v. Date
 - vi. Listofpersonnel
 - vii. Weatherconditions
 - viii. Irregularityinroutineprocedure,ifany.

3.3.5.9 Posttestrequirements

- a. Backfillingofthe pitshallbecarried outinan approvedmannerand asper the directionsofEngineer-in-Chargeoncompletionof test.
- b. Anaugerborehole shallbemadefromthedepthof test extendingtodepthof 6.0m belowtestdepth so asto ascertainthe natureof sub-soiltestdepth.If required,undisturbedsampleshallbeobtainedat suitabledepths from bore hole.

	TECHNICAL SPECIFICATION FOR SOIL INVESTIGATIONS	Document No.	Rev
		GAIL-STD-CV-DOC-TS-026	0
		Page 15 of 30	

3.4 PERCOLATION TEST

Percolation test to determine the soil absorption capacity shall be conducted in accordance with IS:2470(Part-I)-Appendix A.

3.5 DYNAMIC SOIL TESTS

3.5.1 GENERAL

The following tests shall be conducted for the determination of elastic modulus and shear modulus of the soil and their variation with confining pressure for use in the design of foundations subject to vibratory loads:

3.5.1.1 Wave velocity measurements

3.5.1.2 Resonance tests

3.5.1.3 Cyclic plate load test

3.5.1.4 Repeated triaxial shear test.

3.5.2 WAVE VELOCITY MEASUREMENTS:

The test setup and method of conducting the tests shall conform to IS: 5249 (latest edition). Concrete block shall be cast at a minimum depth of 0.5 m in virgin soil. Backfilling of the pits shall be carried out in an approved manner and as per the directions of the Engineer-in-Charge after removing the concrete block on completion of the test.

3.5.3 RESONANCE TEST:


The block size and test depth be the same as laid out in 3.4.2 above. The equipment set up and method of conducting the tests set up and method of conducting the tests shall conform to IS:5249 (latest edition).

3.5.4 CYCLIC PLATE LOAD TEST

The test setup and plates shall conform to that for plate load tests. After stabilisation of settlements for each load increment, load shall be removed and elastic rebound & residual settlements recorded. Where necessary, more than one cycle of loading and unloading shall be applied until a steady state of settlements is reached.

3.5.5 REPEATED TRIAXIAL SHEAR TEST:

This test shall be carried out for confining pressure ranging from 0.5 kg/cm² to 4.0 kg/cm². The triaxial sample shall first be subjected to an initial load equal to the anticipated static working load, which shall be indicated at the time of testing. Positive and negative values of a small increment of load shall then be applied to the sample in

	TECHNICAL SPECIFICATION FOR SOIL INVESTIGATIONS	Document No.	Rev
		GAIL-STD-CV-DOC-TS-026	0
		Page 16 of 30	

cycles and a graph plotted of stress against strain. E-values shall be obtained from this plot after obtaining a stable state.

- 3.5.6 Results of all the above tests shall be incorporated in the form of a plot of shear modulus V/s confining pressure for a range of pressure up to 4.0 kg/cm^2 .

3.6 FOOTING LOAD TEST

- 3.6.1 This test shall be conducted on a concrete footing reinforced with 10 bars of 16 mm dia at 20 cm. spacing both ways and having a size of 2m x 2m and a minimum overall thickness of 0.50 m provided with a suitably reinforced pedestal of size 60 cm x 60 cm.

- 3.6.2 Method of loading, recording of settlement observations and reporting of results shall be as specified for plate load test (clause 3.3.5). Loading shall be carried out in stages of 0.5 kg/cm^2 or as specified up to a net loading intensity of 2.5 kg/cm^2 (including weight of foundation).

3.7 FIELD CBR TESTS

This test shall be done as per IS: 2720 part XXXI at specified depth after removing top soil, vegetation and organic matter.

3.8 SAMPLING

3.8.1 SAMPLING RECORD

All samples (disturbed and undisturbed) collected from the pit/bore hole shall be labeled in a manner shown in the ANNEXURE E. Label shall be attached to the top of sampler, in case of undisturbed samples. In case of samples collected in jar or other containers, the labels should be properly pasted to the Jar/container.

3.8.2 UNDISTURBED SOIL SAMPLES FROM BORE HOLES

- 3.8.2.1 Samples for recovering undisturbed samples from cohesive soils at the specified depth shall conform to IS: 2132. However, use of samplers less than 70 mm diameters shall not be permitted.

- 3.8.2.2 The sampling procedure shall conform to IS: 2132. Both the area ratio of the cutting edge, as well as recovery ratio of the cutting edge, as well as recovery ratio of the sample shall be measured and reported. For normal soils, area ratio of the sampling tubes, shall conform IS: 2132, that is, it may vary from 10.9 percent to 12.4 percent but for sampling in very hard and dense soils, use of thick walled sampling tubes with area ratio not exceeding 20% may be permitted subject to the approval of the Engineer-in-charge.

- 3.8.2.3 In order to reduce the wall friction, suitable precautions such as oiling inside and outside the sampling tubes shall be observed. The sampling tube shall have smooth finish.

	TECHNICAL SPECIFICATION FOR SOIL INVESTIGATIONS	Document No.	Rev
		GAIL-STD-CV-DOC-TS-026	0
		Page 17 of 30	

3.8.2.4 In soft to firm clays, undisturbed samples shall be collected by pushing the tube continuously without impact or twisting. Driving of sampling tubes shall be permitted only if stiff to very stiff and hard deposit exists.

3.8.2.5 For highly sensitive soils, piston samples shall be employed.

3.8.2.6 For soft clay exceeding more than 15m depth from the ground level, collection of undisturbed samples shall be supplemented by the in-situ Vane Shear test.

3.8.2.7 The top and bottom of the sample shall be clearly marked on the sampling tube.

3.8.2.8 Undisturbed samples shall be tested within a period of two weeks of taking them from the borehole or trial pit.

3.8.2.9 If any space is left between the end of the tube and top of wax, the same shall be tightly packed with raw dust or any other suitable material. A close fitting lid or screwed cap shall then be placed on each end of the tube and held in position by adhesive tape.

3.8.3 UNDISTURBED SOIL SAMPLES FROM TRIAL PITS

3.8.3.1 Samples shall be obtained at specified depths from trial pits in a timber or steel box as under:

A benching shall be made at the level where it is proposed to take the sample. A cube of 30cm size shall be formed by careful trimming with knife or any other suitable sharp instrument. A timber box having dimensions slightly larger than the soil cube shall be slipped on it so as to act as a container and the sampler removed from the pit without causing any disturbance.

3.8.3.2 After recovery of the sample, all exposed faces shall be sealed with wax to prevent moisture loss and the sample shall be properly labeled and transferred to the laboratory immediately.

3.8.4 Disturbed Soil Samples - Disturbed soil samples shall be collected at every half a metre and at every change of strata from boreholes as well as from trial pits. Identification labels indicating depth, borehole number and visual soil classification shall be affixed on the containers.

3.8.5 WATERSAMPLES

3.8.5.1 Samples of ground water shall be obtained from the specified boreholes at the depths specified by Engineer-in-Charge.

3.8.5.2 At the specified depth water shall be bailed or pumped out so that fresh ground water flows into the borehole. Care shall be taken in avoiding any contamination with surface

	<p>TECHNICAL SPECIFICATION</p>	<p>Document No. CALL STD. CV. DOC. TS. 026</p>	<p>Rev 0</p>
---	--------------------------------	--	------------------

water at any time. Water samples shall be collected in a five liter polythene or glass container and labeled properly.

3.9 PIEZOMETERS

3.9.1 These may be installed in minimum 100 mm dia bore holes drilled by any suitable method.

3.9.2 INSTALLATION OF PIEZOMETERS:

Piezometers of Casagrande open stand pipe type shall be supplied and installed at locations and depth as indicated in the specific requirements. The piezometers shall be properly tested before installation to the entire satisfaction of Engineer-in-Charge. The details of the piezometer tips, size and diameter of stand pipe, RLs of tops of the stand pipe and the tip of the piezometer and procedure of installation etc. shall be furnished in the report along with a sketch.

If the piezometers fail to show results or malfunction the contractor shall replace them at a specified location without any extra charge to the owner.

The contractor shall provide each piezometer with permanent enclosure/chamber made of steel or concrete or brick of plan area 50cm x 50 cm and height suitable for the projection of the piezometer with a lock and key system to protect the open end of the stand pipe. The arrangement shall also ensure that readings can be taken at regular intervals. The contractor shall arrange a qualified person to take readings of all these piezometers at regular intervals as directed by the Engineer-in-Charge till all other works covered in the scope of this tender are completed.

The item rates shall be inclusive of all those mentioned above and no extra cost is permissible on any account.

3.10 PRESSURE METER

3.10.1 PRESSURE METER TESTS/SUBSOIL DEFORMETER TESTS

The tenderers shall furnish, along with the bids, the details of the equipment and the procedure of testing.

The results of each test, necessary graphs and plots, and interpretation of results shall be included in the report.

The depth of each test shall be indicated at the time of conducting the tests.

The pressure meters should have the following minimum limiting pressure ranges for different types of soils.

	<p>TECHNICAL SPECIFICATION</p>	<p>Document No. CALL STD. CV/DOC/TS/026</p>	<p>Rev 0</p>
---	--------------------------------	---	------------------

Silt	0-7kg/cm ²
Clay	0-12
StiffClay	18-40
DenseSilt	12-30
LooseSand	4-8
Softorweatheredrock	10-30
Sand&Gravel	10-20
DenseSand&Gravel	30-60


4.0 LABORATORY TESTING OF SOILS

4.1 SAMPLING RECORD

Detailsof samplingshallbeenteredinthepforma given in ANNEXURE - F. The performashallbesubmittedintriplicatetoEngineer-in-Charge.Oneofthecopiesshall bereturned byEngineer-in-Chargeindicatingtheteststobe performed.

4.2 STORING OF SOIL SAMPLES IN LABORATORY

- 4.2.1 Soilsampleshallbeinspectedandtestedshortly after their arrival atthelaboratory. Properarrangementforstoringshallbe madeincaseswheretesting ofsamplesisnot immediatelyaftertheyarebrought tothelaboratory.
- 4.2.2 Bags of canvas,cansand binscanbe usedfor storinglarge quantities ofsoil.The containersshould have alabelortagwhichgivessuchdata assoiltype,project location, samplingdata,boringnumber,sampleddepth,etc.
- 4.2.3 Ifthe undisturbedclay samples are takenfrom pit, theyshould be covered witha protectivecoating. The coatingshallpreferably be withwax havingmelting point between120° to 160°F. Thewaxcoating canbeappliedby eitherdipping the soil sampleinthe meltedwaxorusingasoftbrushtospreadthemeltedwax.Waxshould not beheatedto morethan a few degrees aboveitsmeltingtemperature,sinceto heatingtohighertemperatures,tendtodriveoff morevolatilehydrocarbons,thusmaking thewaxmorepermeableand morebrittleupon coating.
- 4.2.4 Ifthe soilsampleistobestoredformorethan 15days,aprotectivecoatingofwax,in more than onelayer,isrecommendedwithatotalthicknessof12mmto18mm.
- 4.2.5 A few selectedsoilsamples shallbe storedinthelaboratorytill the soilinvestigation reportisfinalisedandapprovedbytheEngineer-in-Charge.

	TECHNICAL SPECIFICATION FOR SOIL INVESTIGATIONS	Document No.	Rev
		GAIL-STD-CV-DOC-TS-026	0
		Page 20 of 30	

4.3 HANDLING OF UNDISTURBED SAMPLES IN LABORATORY

- 4.3.1 The undisturbed samples shall be handled in the laboratory with due precaution to avoid disturbances and loss of moisture content which may adversely affect the test results.
- 4.3.2 Unprotected samples shall never be handled with bare hands because the hands foster disturbance and loss of moisture. The samples shall be protected by using Aluminium cellophane or wax paper before handling it.
- 4.3.3 When transporting a specimen it should be supported over its entire length by using a mould, plate or paper sling.
- 4.3.4 A chunk from an undisturbed sample collected from pits shall be cut with a wire saw which consists of a frame with a piano wire stretched tightly across it. Any wax or other covering used to protect the samples shall be cut with a knife or hacksaw. Care shall be taken when trimming the finished specimen. The wire in the wire saw used for final trimming shall be smaller in diameter than that used for preliminary cutting and the wire shall be cleaned prior to each cut.
- 4.3.5 In case of samples taken in sample tubes, the samples shall be extruded from the tubes by a steady pushing process and not by a jerky or driving one. Prior to extrusion the plug, which protects the end of the soil, shall be removed by scraping it with a knife or sawing off that portion of the tube which contains the plug. The extrusion shall employ the same direction of motion or motion of the soil with respect to the tube as existed during sampling, because a reversal of stress tends to cause disturbance.


4.4 PROCEDURES OF TESTING

All apparatus used for laboratory testing shall conform to the specifications laid down in the relevant Indian Standards.

- 4.4.1 All testing procedures shall conform to those laid down in relevant Indian Standards.
- 4.4.2 For proper interpretation, results of each laboratory test shall be presented either as given in relevant Indian Standard or as specified in specific requirements.

5.0 REPORT

- 5.1 The report shall state in brief the description of the test procedure employed.
- 5.2 The report shall also include wherever required a sample calculation with reference to formulae used to evaluate the various parameters.
- 5.3 Report shall also contain the summary of various soil parameters evaluated, in a format as shown in ANNEXURE-G.
- 5.4 Character and genesis of soil.

	TECHNICAL SPECIFICATION FOR SOIL INVESTIGATIONS	Document No.	Rev
		GAIL-STD-CV-DOC-TS-026	0
		Page 21 of 30	

- 5.5 Procedure of investigation employed.
- 5.6 Detailed bore logs, subsoil sections, laboratory and field test results both in tabular as well as graphical form and a plot plan showing locations and reduced level of bore holes and other tests.
- 5.7 Results obtained and their interpretation.
- 5.8 Recommendation for type, depth, ultimate and safe bearing pressure and settlement of foundation for the following structures.
 - a. Process units, power plant setc. which carry a heavy unit load.
 - b. Non-plant structures such as administrative buildings setc, which are lightly loaded.
 - c. Storage tanks and other structures founded at or near ground surface.
- 5.9 Recommendations shall also be given for allowable bearing pressure and settlements for foundations of sizes ranging from 1 to 10 metres placed at different depths ranging from surface to 3 metres below the ground surface.
- 5.10 Aggressiveness of soil and soil water to reinforced concrete and steel and other building materials.
- 5.11 Suitability of soil and degree of compaction of fill for the pavement and tank farms & recommendation for thickness of pavement for class AA and Class A loadings.
- 5.12 Modulus of subgrade reaction for pressure ranging up to 3kg/cm^2 . There recommended values shall include the effect of size, shape and depth of foundation.
- 5.13 In case of poor soil conditions recommendations are to be made for the following.
 - a. Ground treatment method if considered necessary. If so type(s) of treatment method (s) recommended, depth of treatment and settlements and bearing capacity estimates after treatment.
 - b. Pile foundations if considered necessary, If so, types (s) of pile recommended, depth of pile, safe load capacity for different sizes of piles, p-y curves for lateral pile analysis shall also be submitted if specifically asked. Contractors shall also provide the ultimate pile load capacity curve with depth for various sizes of piles.
 - c. All recommendations shall be supported by back up calculations.
- 5.14 Any other information of special significance encountered during investigation and likely to have a bearing on design and construction.

	TECHNICAL SPECIFICATION FOR SOIL INVESTIGATIONS	Document No.	Rev
		GAIL-STD-CV-DOC-TS-026	0
		Page 22 of 30	

5.15 Interim reports based on the data available shall be supplied to the Engineer-in-Charge on demand.

	TECHNICAL SPECIFICATION FOR SOIL INVESTIGATIONS	Document No.	Rev
		GAIL-STD-CV-DOC-TS-026	0
		Page 23 of 30	

ANNEXURE- A**LIST OF INDIAN STANDARDS REFERRED**

- | | | |
|-----|------------------|--|
| 1. | IS:1498 | Classification and Identification of Soils for General Engineering Purposes. |
| 2. | IS:1888 | Method of Load Tests on Soils |
| 3. | IS:1892 | Code of practice for Site Investigations for Foundations. |
| 4. | IS:2131 | Method for Standard Penetration Test for Soils |
| 5. | IS:2132 | Code of Practice for Thin Walled Tube Sampling of Soils. |
| 6. | IS:2470-Part-I | Code of Practice for Design and Construction of Septic Tanks- Small installations. |
| 7. | IS:2720 | Method of Test for Soils (Relevant Parts) |
| 8. | IS:4434 | Code of practice for in situ Vane Shear Test for Soils. |
| 9. | IS:4968-Part-I | Method for subsurface sounding for soils Dynamic Method Using Cone without Bentonite Slurry. |
| 10. | IS:4968-Part-II | Method for subsurface sounding for soils Dynamic Method Using Cone and Bentonite Slurry. |
| 11. | IS:4968-Part-III | Method for subsurface sounding for soils static cone penetration test. |
| 12. | IS:5249 | Method of Tests for Determination of in situ Dynamic Properties of Soils. |


	TECHNICAL SPECIFICATION FOR SOIL INVESTIGATIONS	Document No.	Rev
		GAIL-STD-CV-DOC-TS-026	0
		Page 24 of 30	

ANNEXURE -B

RECORD OF BORING

Client..... Location.....
 Ground Surface Level..... Boring No.....
 Type of Boring..... Date Started.....
 Diameter of Boring..... Date Completed.....
 Ground Water Level..... Site Engineer.....

Describe of strata	Soil Classification	Strata Thickness	Depth from G.L	R.L. of Layer	Samples			Insitu Test			Remarks
					Type	No.	Depth	Type	Depth	Value	

	TECHNICAL SPECIFICATION FOR SOIL INVESTIGATIONS	Document No.		Rev
		GAIL-STD-CV-DOC-TS-026		0
		Page 25 of 30		

ANNEXURE-C

PROFORMA FOR FIELD VANESHEAR TEST

GENERAL

Project

Bore-hole No.

Date of test

DETAILS OF BORING (IF ANY)

location

Reference elevation

or

Ground elevation

Method of making the hole

Cased/Uncased

Level of ground water table

at the time of test

DETAILS OF VANE TEST

(a) Test from bottom of Borehole

Vane size

Dia. of dummy rod (if used)

Conversion factor for torque measuring equipment

(b) Test by Direct Penetration from Ground Surface

Vane Constant

Depth

	TECHNICAL SPECIFICATION FOR SOIL INVESTIGATIONS	Document No.	Rev
		GAIL-STD-CV-DOC-TS-026	0
		Page 26 of 30	

TIME-ROTATION READINGS

Time in Minutes	Depth					
	D	U	R	D	U	R

	D	U	R	D	U	R
Depth of vane tip below bottom of borehole or vane shoe						
Time of failure						
Maximum reading in torque measuring equipment						
Maximum torque						
Number of revolutions for remoulding						
Shear strength of undisturbed soil KN/m ² (kgf/cm ²)						
Shear strength of remoulded soil KN/m ² (kgf/cm ²)						
Sensitivity						

D=Test with dummy, if used, or any other test for determination of friction of vane rod/torque rod.

U=Test with vane in undisturbed soil.

R=Test with vane in remoulded soil.

	TECHNICAL SPECIFICATION FOR SOIL INVESTIGATIONS	Document No.	Rev
		GAIL-STD-CV-DOC-TS-026	0
		Page 27 of 30	

PROFORMA FOR STATIC CONE TEST

Project : Test point location
 Site : Ground elevation
 Borehole Reference : Ground water level

Static Cone Resistance

- Correction:
1. Mass of cone = m
 2. Mass of each sounding rod = m_1
 3. Cone area at base, $b = \text{cm}^2$
 4. *Plunger area
 5. Correction factor (to be added to the gauge reading)

$$= (m + nm_1) \times 10 \text{ KN/m}^2$$

$$= (m + nm_1) / 10 \text{ Kg/cm}^2$$


*The gauge readings shall be multiplied by the ratio of plunger area to the area of the base of cone

Depth below Ground level	Gauge reading (KN/m ²)	Corrected value of cone penetration resistance (KN/m ²)
-----------------------------	--	--

Frictional resistance measured at particular depths with the help of friction jacket attached to the static cone.

Correction:

- 1) Mass of friction jacket = $m_f \text{ kg}$
- 2) Area of surface of friction jacket, $a = \pi dh \text{ cm}^2$
 Where d = outer diameter of friction jacket and
 h = length of friction jacket

	TECHNICAL SPECIFICATION FOR SOIL INVESTIGATIONS	Document No.	Rev
		GAIL-STD-CV-DOC-TS-026	0
		Page 28 of 30	

- 3) Cone area at base, $b = cm^2$
- 4) Correction factor (to be added) $= 100m_f/a \text{ KN/m}^2$
 $= 1 \text{ KN/m}^2 (.01 \text{ kgf/cm}^2)$

Depth below ground level (m)	Total resistance KN/m^2 (kgf/cm^2)	Cone resistance (uncorrected) KN/m^2 (kgf/cm^2)	Total resistance-cone resistance KN/m^2 (kgf/cm^2)	Frictional resistance in KN/m^2 (kgf/cm^2)	Corrected frictional resistance KN/m^2 (kgf/cm^2)
m	X	y	x-y	$((x-y)b)/a = Z$	$Z + (100/a)m_f(Z + m_f/a)$

ANNEXURE-E
SAMPLELABEL

Project_____

Location_____

Date_____

SampleNo._____

SoilDescription_____

Boring/Trial
No._____

Depthofsampletop_____

Elevationofgroundsurface_____

Typeofsample_____

Disturbed/Undisturbed_____

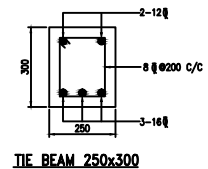
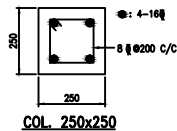
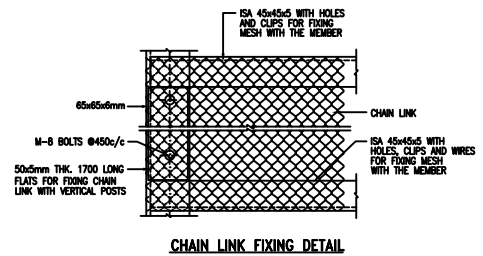
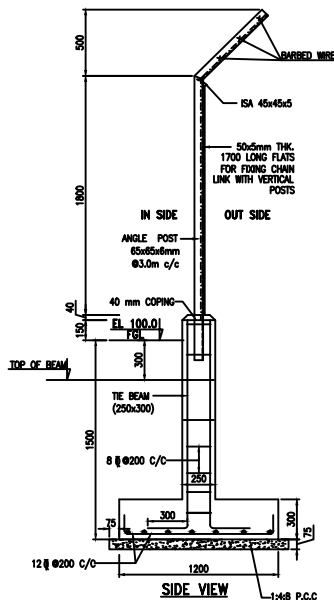
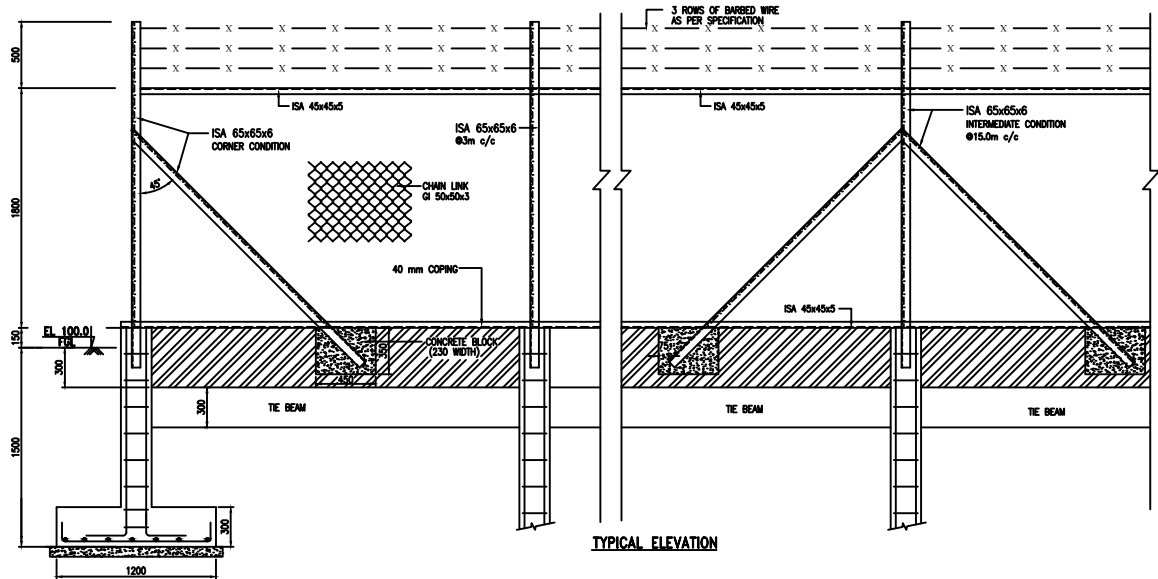
Remarks_____



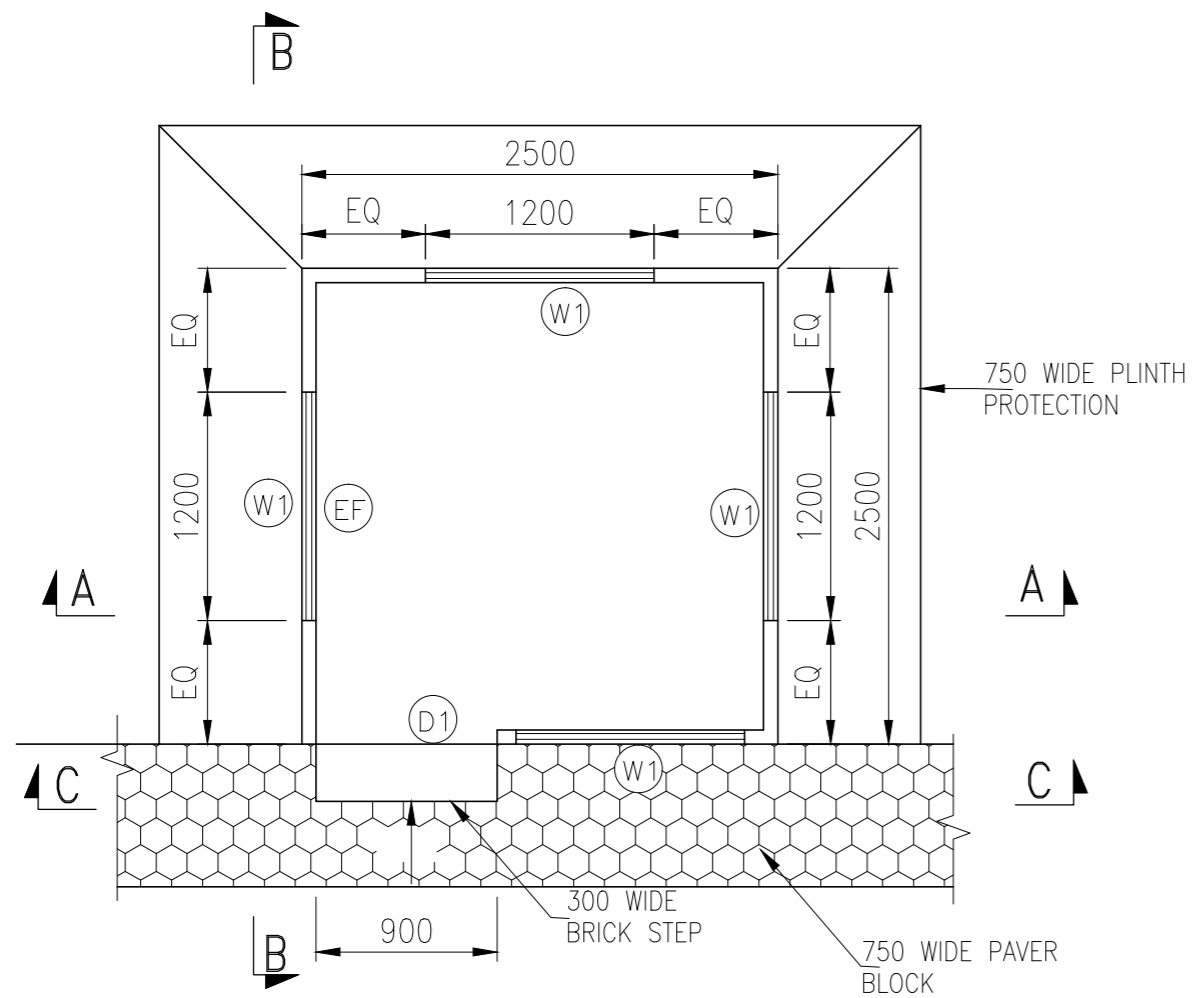
LYONS ENGINEERING PVT. LTD.
NEW DELHI

TYPICAL DETAIL OF
CHAIN LINK FENCING

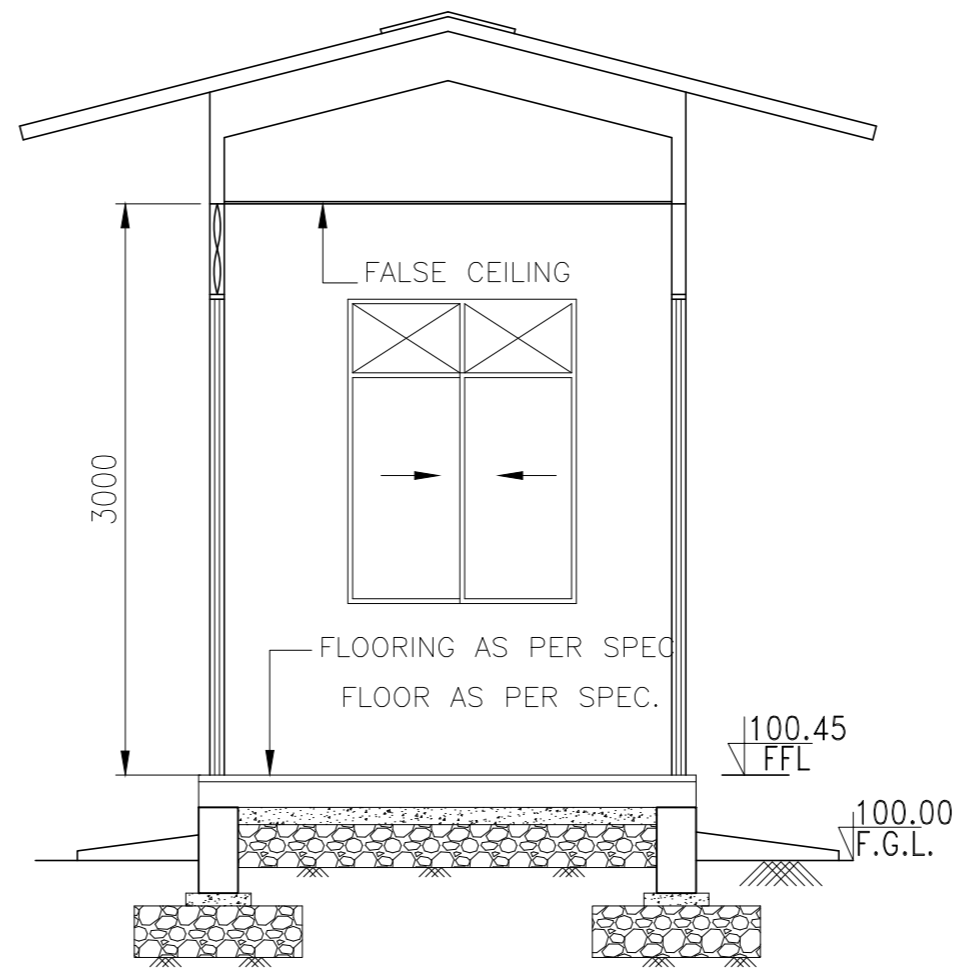
DRAWING NO.
GAIL-STD-CV-DWG-TP-001
SHEET NO. 1 OF 1



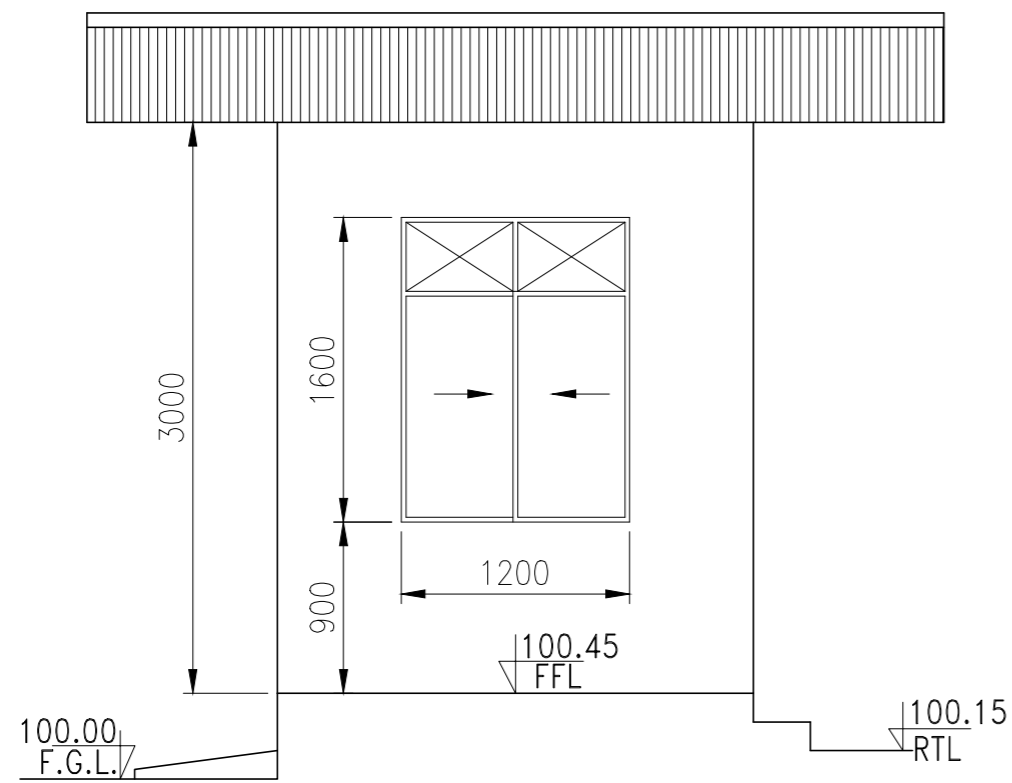
0	10-01-2019	ISSUED FOR TENDER	DV	VKS	SK
REV. NO.	DATE	SUBJECT OF REVISION	DRAWN	CHECKED	APPROVED



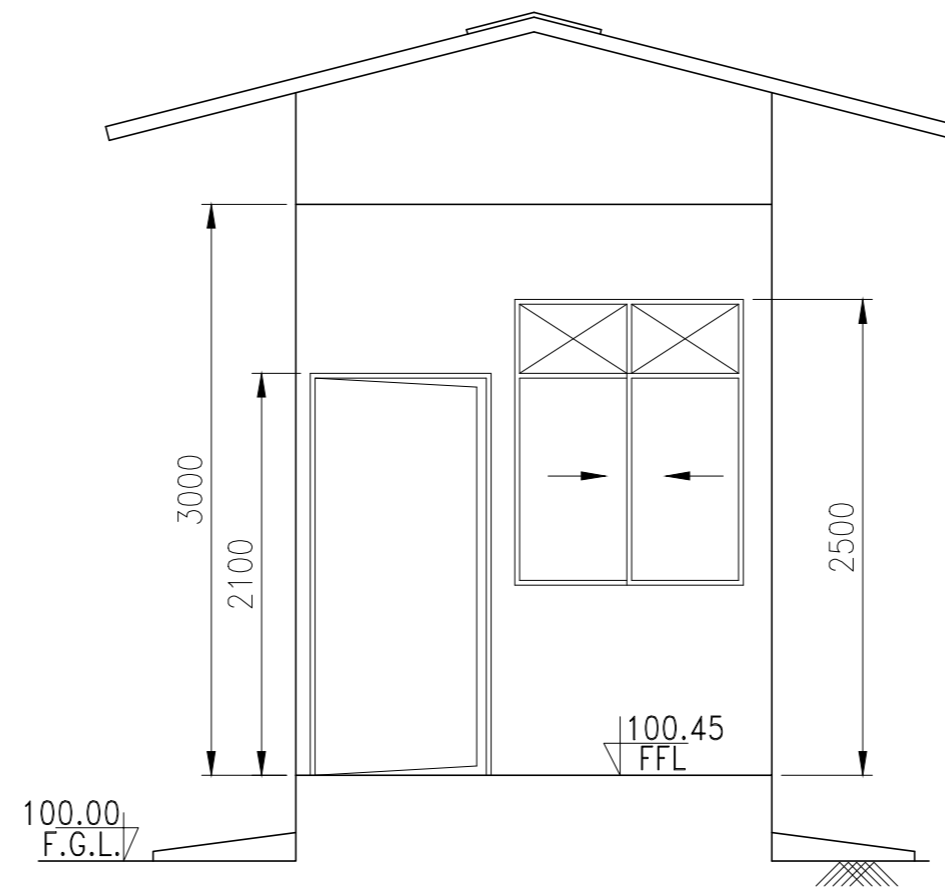
GROUND FLOOR PLAN
(PRE FABRICATED CABIN)





SECTION A-A

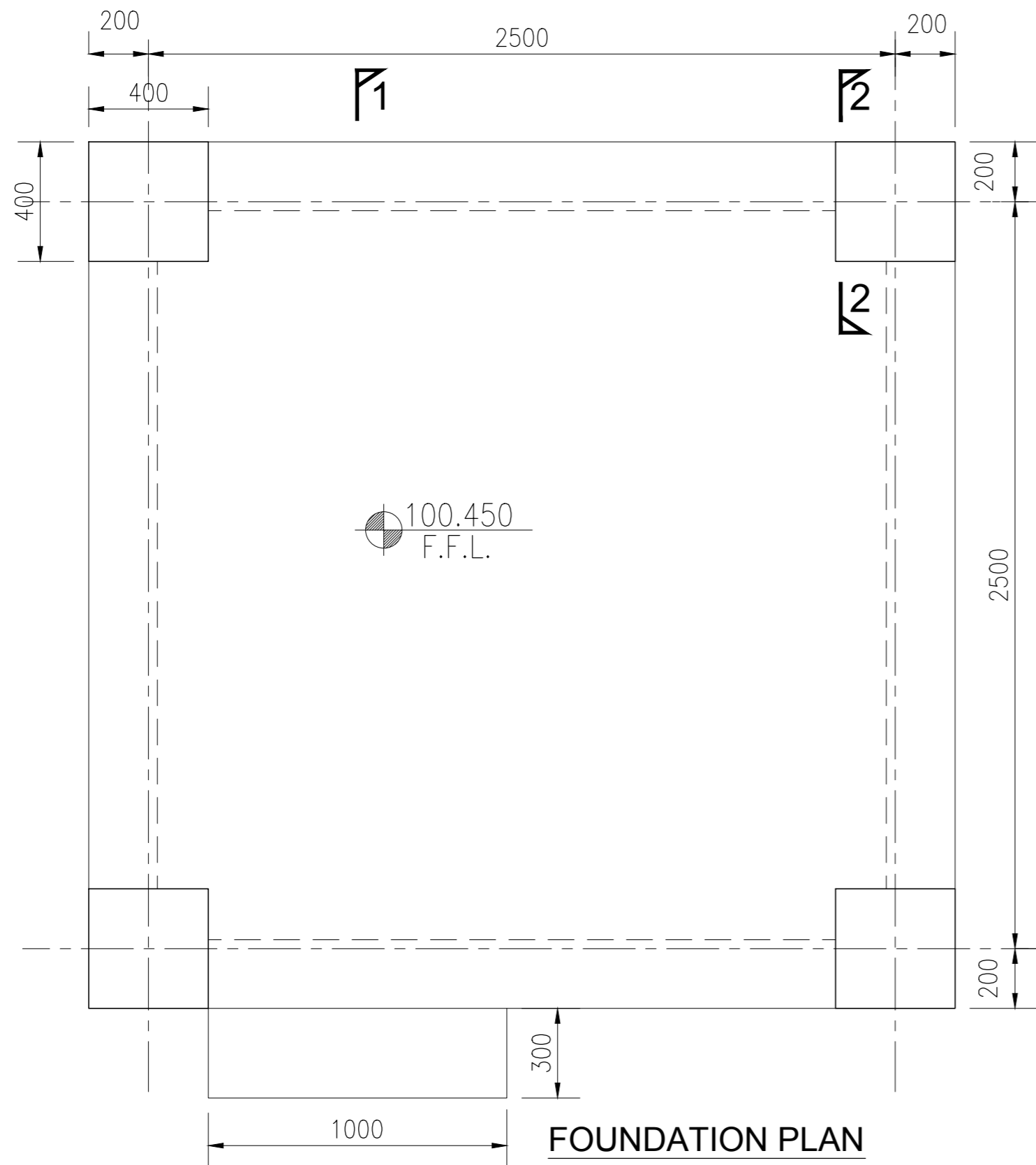


ELEVATION B-B

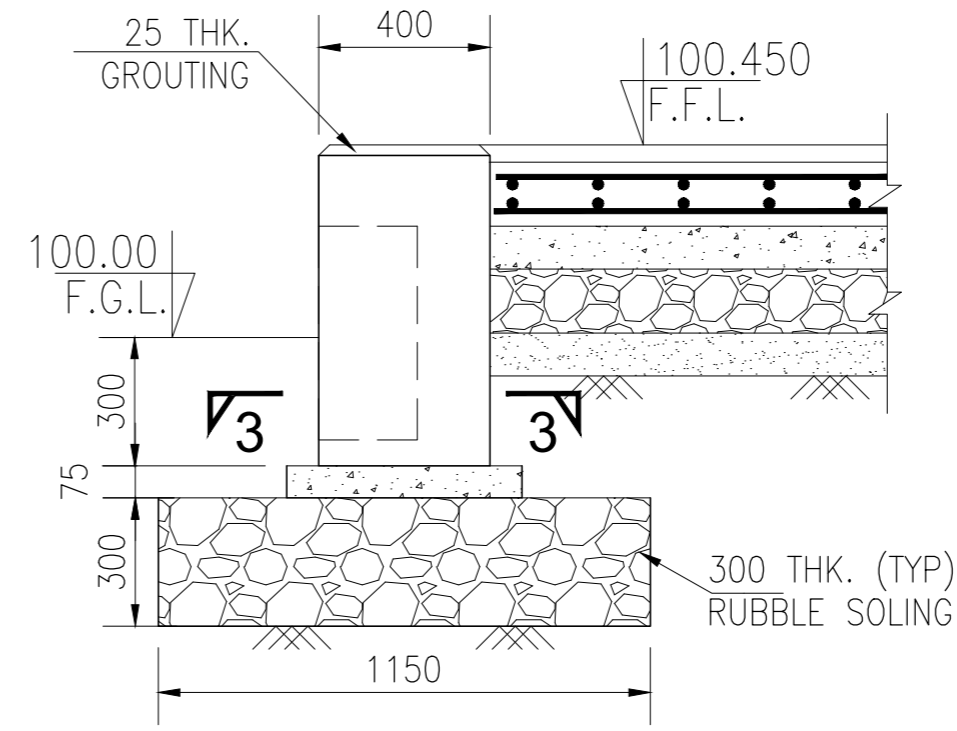


ELEVATION C-C

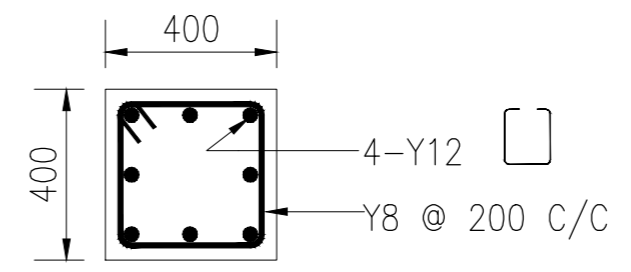
0	10.01.19	ISSUED FOR TENDER	DV	VK	JR
REV.	DATE	DESCRIPTION	PREP.	CHKD.	APPD.
CLIENT:		 GAIL (INDIA) LIMITED			
PMC:		 LYONS ENGINEERING PVT. LTD.			
SCALE	TITLE:				
1:100	TYPICAL DETAIL OF GUARD ROOM				
SIZE	DRAWING NUMBER		SHEET	REV.	
A2	GAIL-STD-CV-DWG-TP-002		1 OF 2	0	



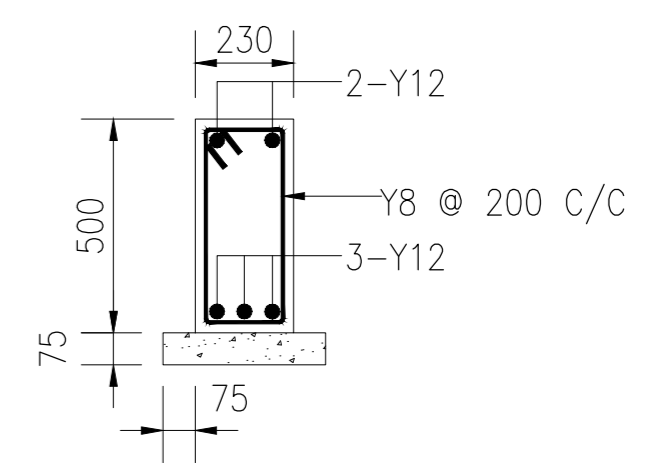
FOUNDATION PLAN



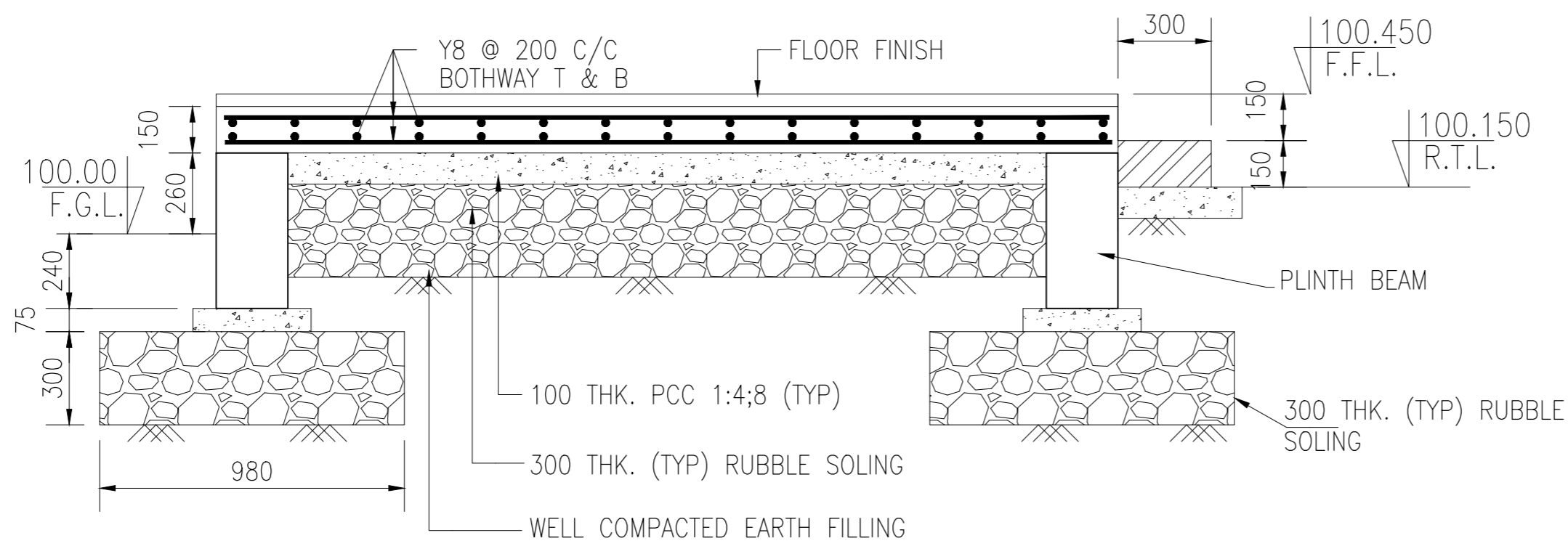
SECTION 2-2





SECTION 3-3



R/F DETAIL OF PLINTH BEAM



SECTION 1-1

0	10.01.19	ISSUED FOR TENDER	DV	VK	JR
REV.	DATE	DESCRIPTION	PREP.	CHKD.	APPD.
CLIENT:		 GAIL (INDIA) LIMITED			
PMC:		 LYONS ENGINEERING PVT. LTD.			
SCALE	TITLE:				
1:100	TYPICAL DETAIL OF GUARD ROOM				
SIZE	DRAWING NUMBER	SHEET	REV.		
A2	GAIL-STD-CV-DWG-TP-002	2 OF 2	0		



LYONS ENGINEERING PVT. LTD.
NEW DELHI

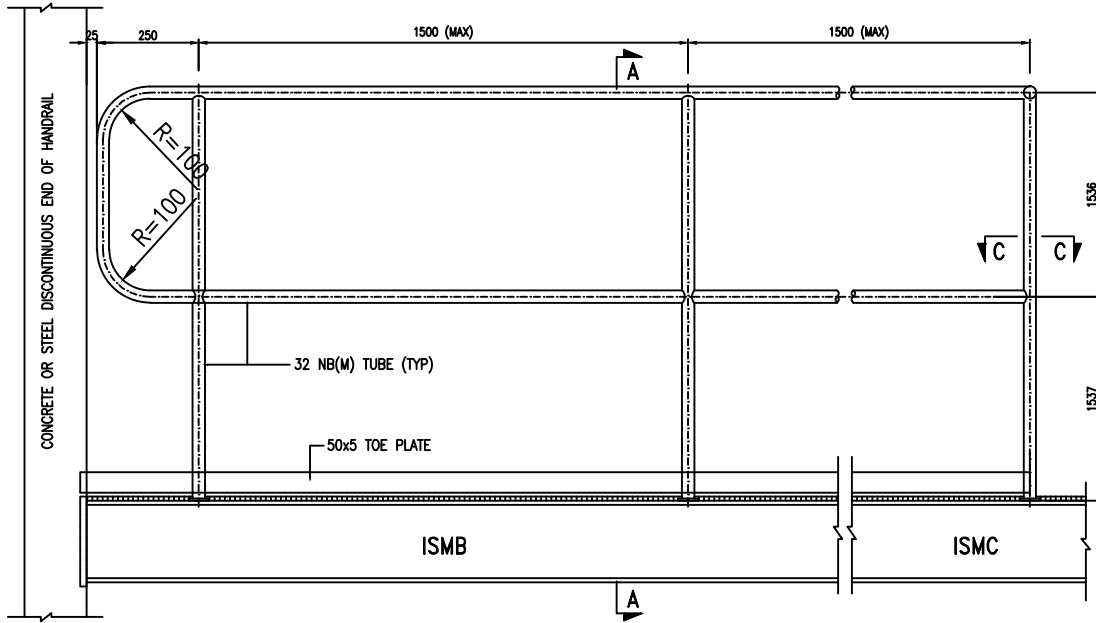
TYPICAL DETAIL OF
HANDRAIL ON STEEL
PLATFORM

DRAWING NO.

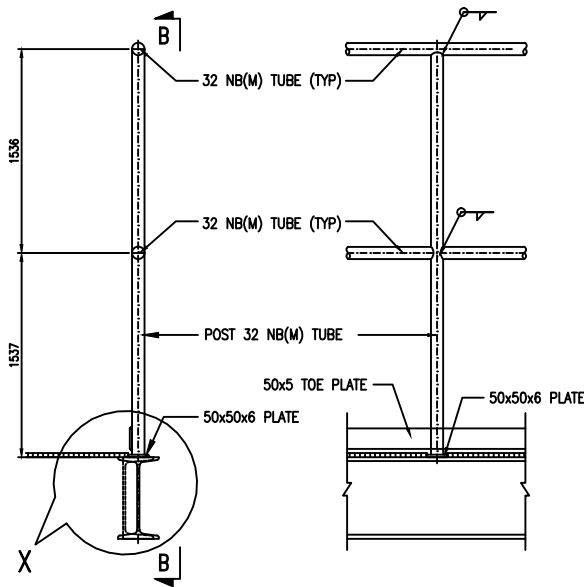
GAIL-STD-CV-DWG-TP-003

SHEET NO.

1 OF 1

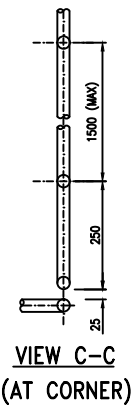


HORIZONTAL HANDRAIL ON STEEL PLATFORM

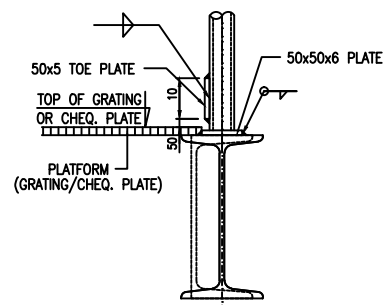


SECTION A-A

VIEW B-B



**VIEW C-C
(AT CORNER)**



DETAIL X

0	10-01-2019	ISSUED FOR TENDER	DV	VKS	SK
REV. NO.	DATE	SUBJECT OF REVISION	DRAWN	CHECKED	APPROVED



LYONS ENGINEERING PVT. LTD.
NEW DELHI

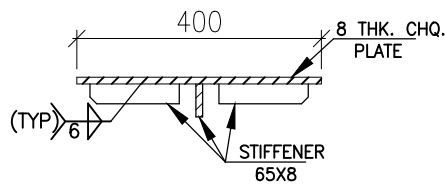
TYPICAL DETAIL OF
CHEQUERED PLATE

DRAWING NO.

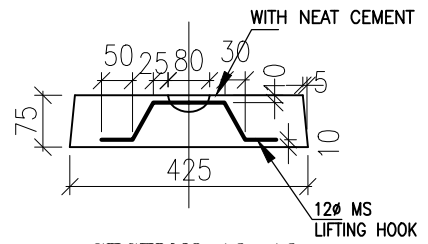
GAIL-STD-CV-DWG-TP-004

SHEET NO.

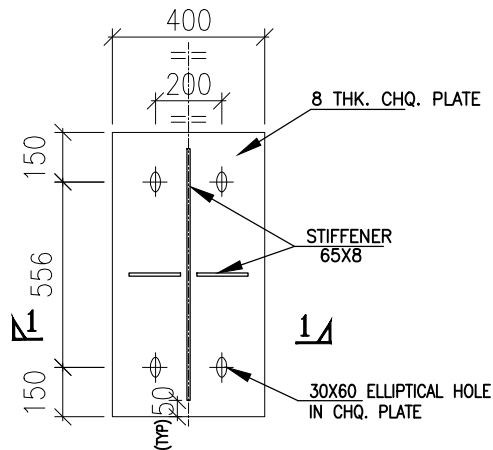
1 OF 1



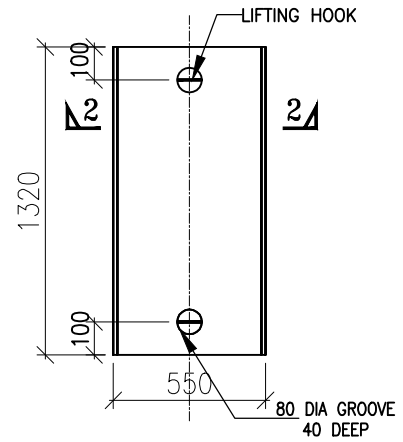
SECTION 10-10



SECTION 12-12

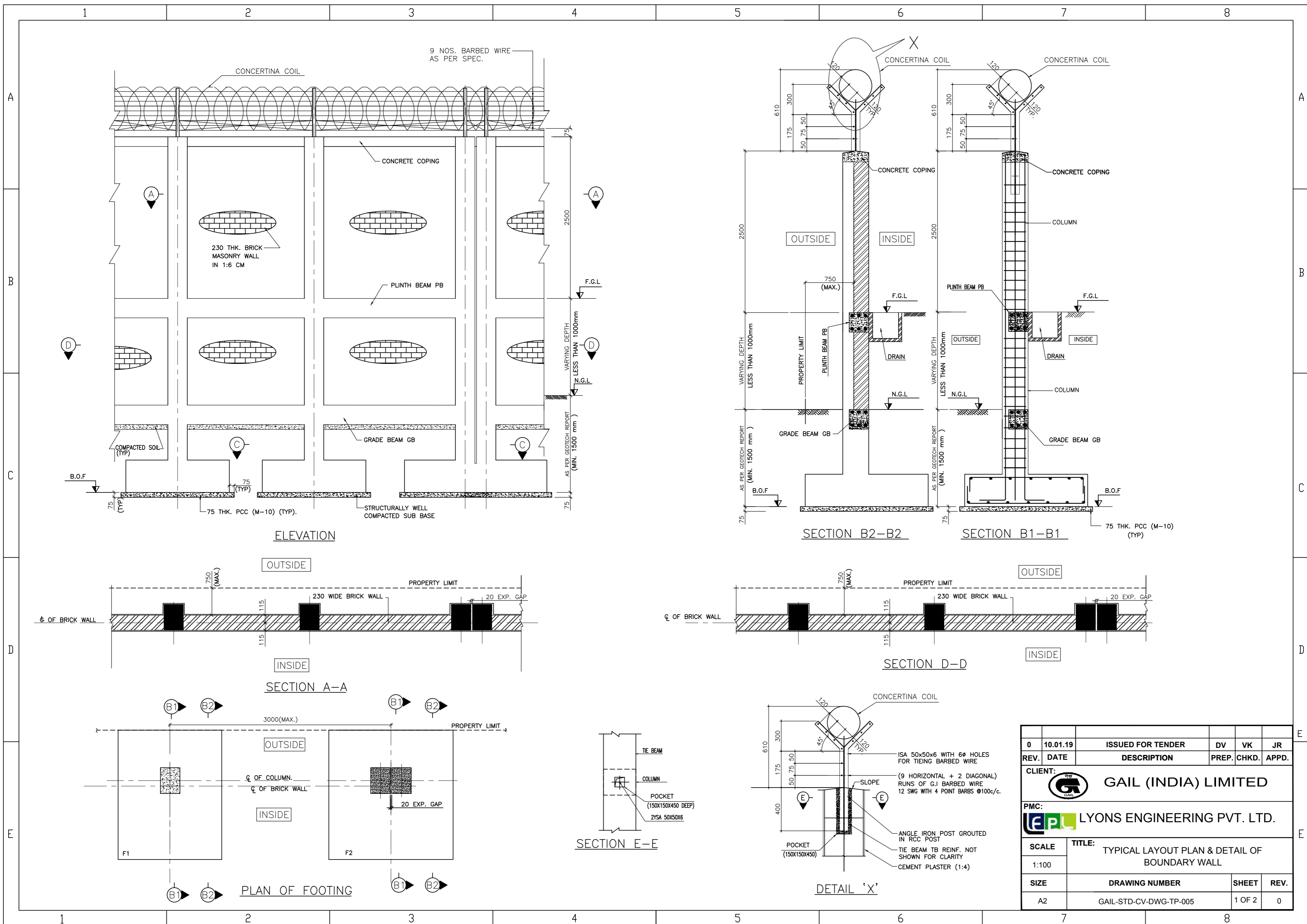


**TYPICAL DETAIL OF
CHEQUERED PLATE MKD. CHQ-I**



**DETAIL OF PRECAST
SLAB PS-1**

0	10-01-2019	ISSUED FOR TENDER	DV	VKS	SK
REV. NO.	DATE	SUBJECT OF REVISION	DRAWN	CHECKED	APPROVED



0	10.01.19	ISSUED FOR TENDER	DV	VK	JR
REV.	DATE	DESCRIPTION	PREP.	CHKD.	APPD.
CLIENT:		GAIL (INDIA) LIMITED			
PMC:		LYONS ENGINEERING PVT. LTD.			
SCALE	TITLE: TYPICAL LAYOUT PLAN & DETAIL OF BOUNDARY WALL				
1:100					
SIZE	DRAWING NUMBER	SHEET	REV.		
A2	GAIL-STD-CV-DWG-TP-005	1 OF 2	0		



LYONS ENGINEERING PVT. LTD.
NEW DELHI

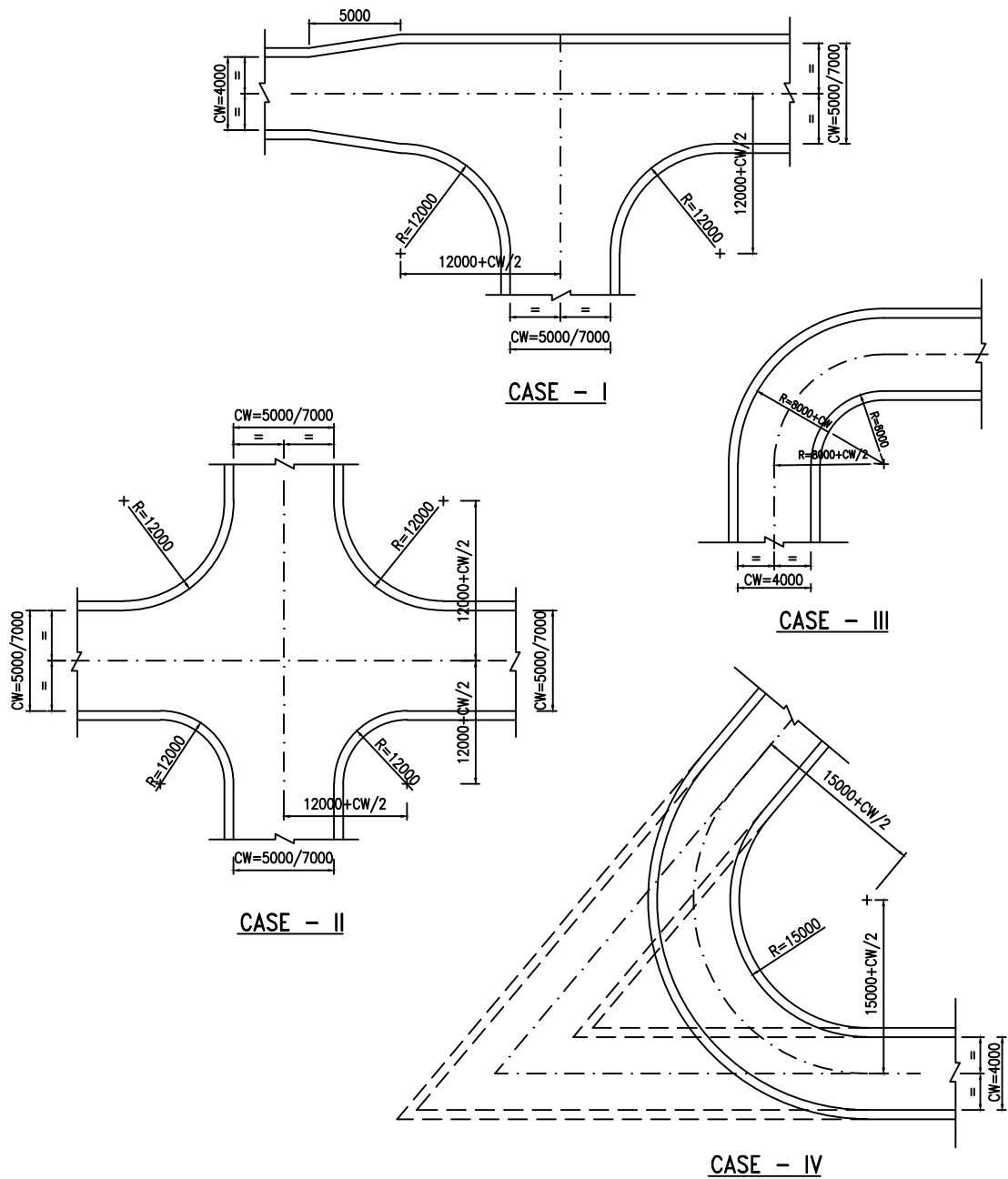
TYPICAL DETAIL OF
ROAD CURVES
AND CROSSINGS

DRAWING NO.

GAIL-STD-CV-DWG-TP-006

SHEET NO.

1 OF 1



NOTES:-

1. ALL DIMENSIONS ARE IN MM. UNLESS OTHERWISE MENTIONED.
2. MINIMUM RADIUS OF CURVES FOR ROADS WITH $CW=4.0m$
3. MINIMUM RADIUS OF CURVES FOR ROADS WITH $CW>4.0m$ SHALL BE 12m.
4. RADIUS OF CURVES FOR APPROACH ROADS TO BUILDINGS AND OTHERS AREAS MAY BE REDUCED AS PER SERVICES REQUIRMENTS.
5. FOR ROAD CURVES WITH ACUTE ANGLE TURNING. THE MINIMUM RADIUS SHALL BE 15m AND ANGLE NOT LESS THAN 50° .

6. RADIUS OF CURVES AND CROSSING WHEN DIFFERENT FROM THOSE GIVEN IN THIS STANDARD TO MEET ANY SPECIAL REQUIREMENT SHALL BE SO MARKED IN THE AREA DRAWINGS.

0	10-01-2019	ISSUED FOR TENDER	DV	VKS	SK
REV. NO.	DATE	SUBJECT OF REVISION	DRAWN	CHECKED	APPROVED



LYONS ENGINEERING PVT. LTD.
NEW DELHI

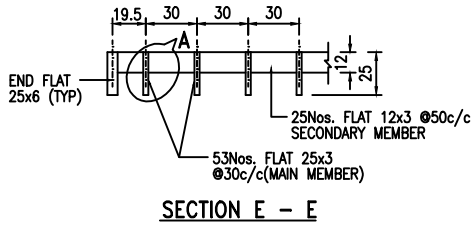
TYPICAL PLATFORM DETAIL

DRAWING NO.

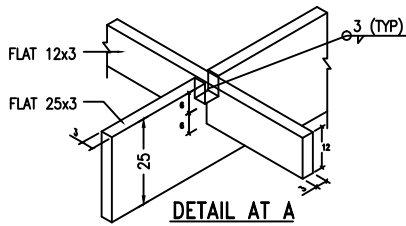
GAIL-STD-CV-DWG-TP-007

SHEET NO.

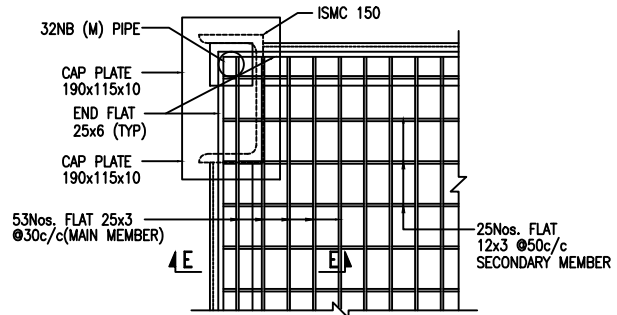
1 OF 1



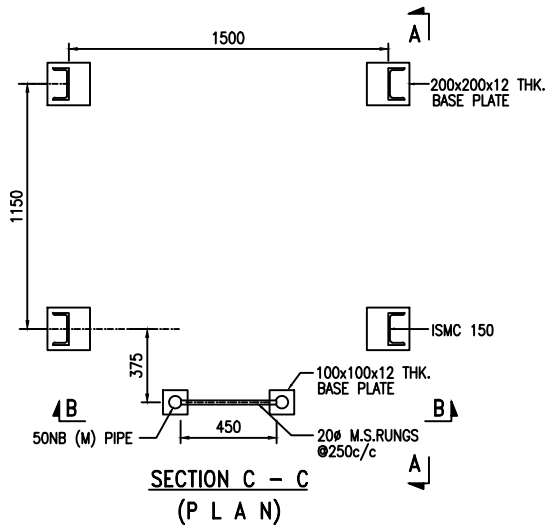
SECTION E - E



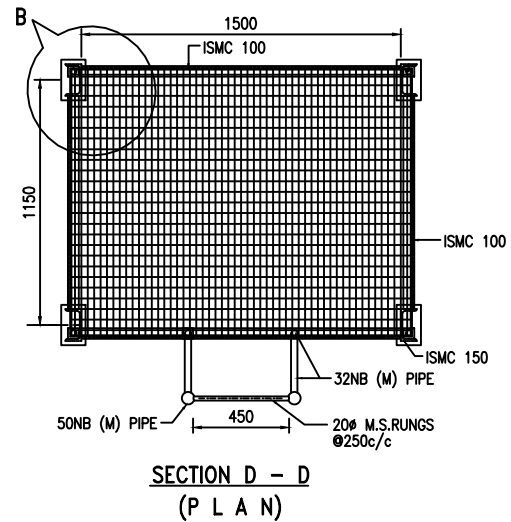
DETAIL AT A



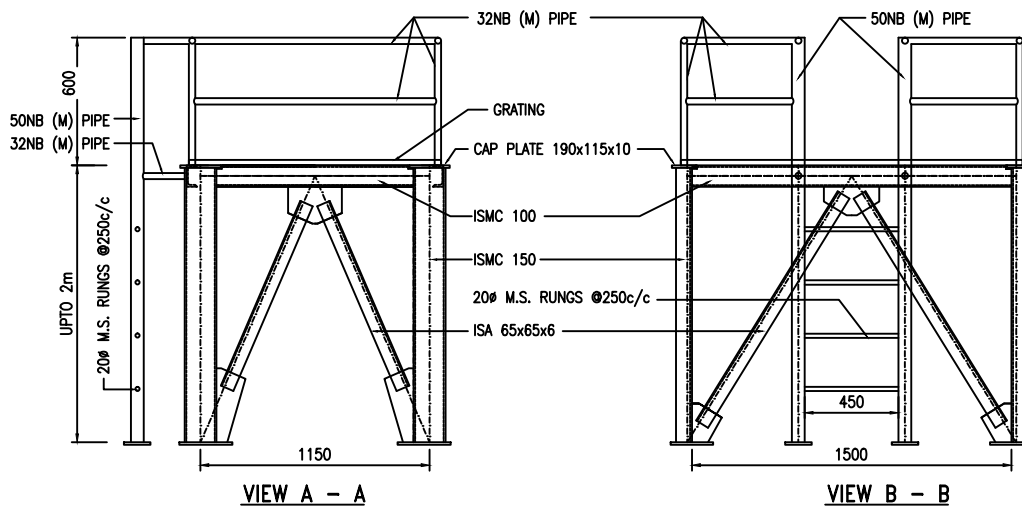
DETAIL AT B



SECTION C - C
(PLAN)



SECTION D - D
(PLAN)



VIEW A - A

VIEW B - B

0	10-01-2019	ISSUED FOR TENDER	DV	VKS	SK
REV. NO.	DATE	SUBJECT OF REVISION	DRAWN	CHECKED	APPROVED



LYONS ENGINEERING PVT. LTD.
NEW DELHI

TYPICAL
CONCRETE BEDDING

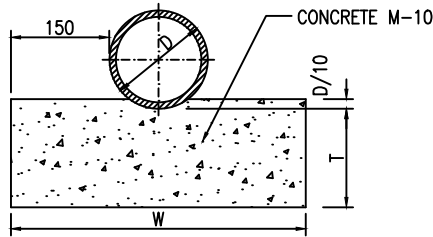
DRAWING NO.

GAIL-STD-CV-DWG-TP-008

SHEET NO.

1 OF 1

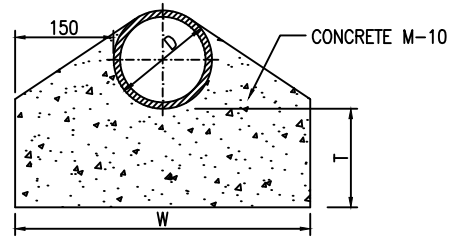
TYPE-I



SECTION ELEVATION OF BEDDING

(FOR C.S PIPE SEWER WHERE SUPPORT IS REQUIRED)

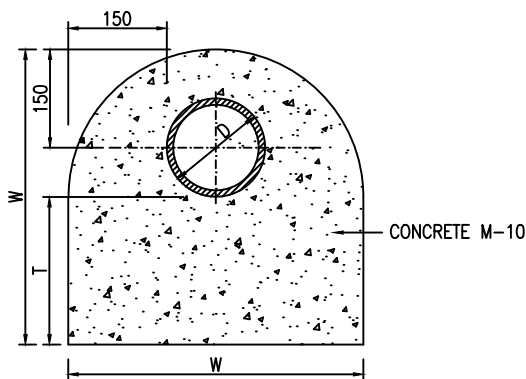
TYPE-II



SECTION ELEVATION OF HAUNCHING

(FOR HDPE, SW PIPE SEWERS)

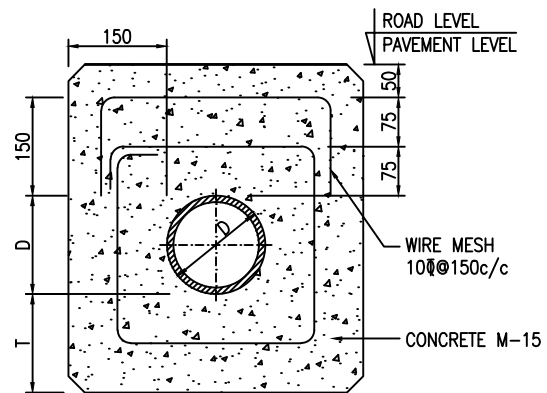
TYPE-III A



SECTION ELEVATION SURROUND OR ENCASING

(FOR SEWERS UNDER ROADS COVER > 600mm)

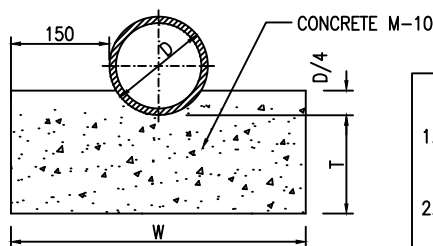
TYPE-III B



SECTION ELEVATION SURROUND OR ENCASING

(FOR SLEEVES/PIPES CULVERTS UNDER ROADS FOR COVER < 600mm)

TYPE-IV



SECTION ELEVATION CONCRETE GRADE BEDDING

(FOR SEWERS - CONCRETE PIPE)

LEGEND

- D = EXTERNAL DIA OF PIPE
- W = D+300
- T = 100 FOR PIPES UNDER 150 NOMINAL DIA.
- T = 150 FOR PIPES OF 150 NOMINAL DIA AND ABOVE.

NOTES:-

1. BEDDING:- WHERE BEDDING IS USED, THE CONCRETE SHALL BE BROUGHT UP TO ATLEAST TO THE INVERT LEVEL OF THE PIPE TO FORM A CRADLE & TO AVOID LINE CONTACT BETWEEN THE PIPE AND BED.
2. HAUNCHING:- THE FULL WIDTH OF THE BED SHALL BE CARRIED TO THE LEVEL OF THE HORIZONTAL DIAMETER OF THE PIPE AND SPLAYS FROM THIS LEVEL CARRIED ON BOTH SIDES OF THE PIPE TO MEET THE PIPE BARREL TANGENTIALLY.
3. SURROUNDED OR ENCASING TYPE-III A:- THE SURROUND OR ENCASING SHALL BE SIMILAR TO HAUNCHING UP TO THE HORIZONTAL DIA OF THE PIPE & THE PORTION OVER THIS SHALL BE FINISHED IN A SEMI-CIRCULAR FORM TO GIVE A UNIFORM ENCASING FOR THE TOP HALF OF THE PIPE.
TYPE-III B:- IT IS SIMILAR TO TYPE-III A ABOVE EXCEPT THAT THE TOP PORTION OVER THIS SHALL BE FINISHED RECTANGULAR AS SHOWN AND THE SECTION PROVIDED WITH REINFORCEMENT AS PER REQUIREMENTS.
4. CONCRETE CRADLE BEDDING:- IS THE METHOD OF BEDDING PIPES IN WHICH THE LOWER PART OF THE PIPE EXTERIOR IS BEDDED IN CRADLE CONSTRUCTION OF CONCRETE WITH DIMENSION AS SHOWN.
5. CONCRETE WORK SHALL BE CONFORM TO IS: 456.

0	10-01-2019	ISSUED FOR TENDER	DV	VKS	SK
REV. NO.	DATE	SUBJECT OF REVISION	DRAWN	CHECKED	APPROVED



LYONS ENGINEERING PVT. LTD.
NEW DELHI

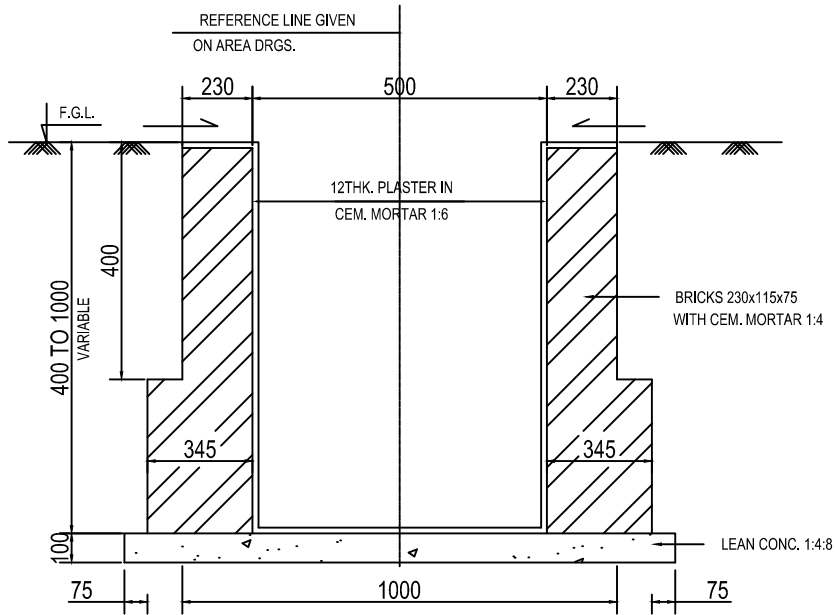
TYPICAL STORM
WATER DRAIN (OPEN)

DRAWING NO.

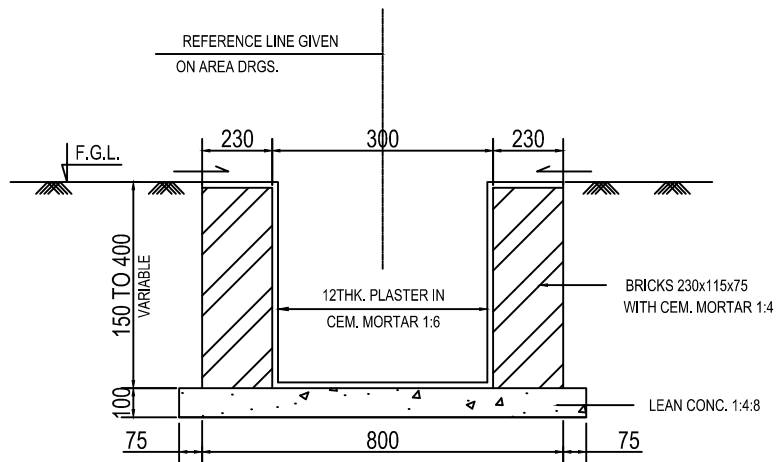
GAIL-STD-CV-DWG-TP-009

SHEET NO.

1 OF 2



RECTANGULAR DRAIN
(TYPE-1)



RECTANGULAR DRAIN
(TYPE-2)

0	10-01-2019	ISSUED FOR TENDER	DV	VKS	SK
REV. NO.	DATE	SUBJECT OF REVISION	DRAWN	CHECKED	APPROVED



LYONS ENGINEERING PVT. LTD.
NEW DELHI

TYPICAL TRENCH
SAND BEDDING

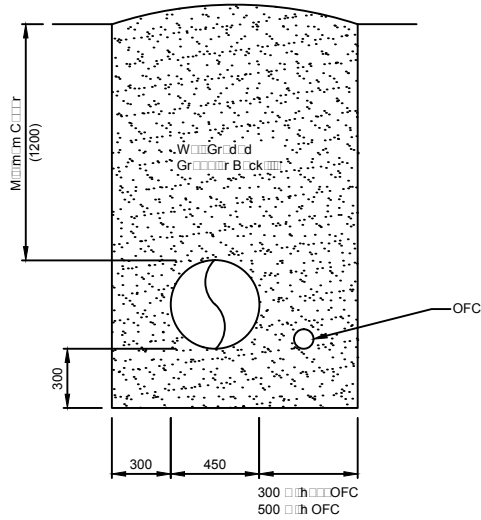
DRAWING NO.

GAIL-STD-CV-DWG-TP-010

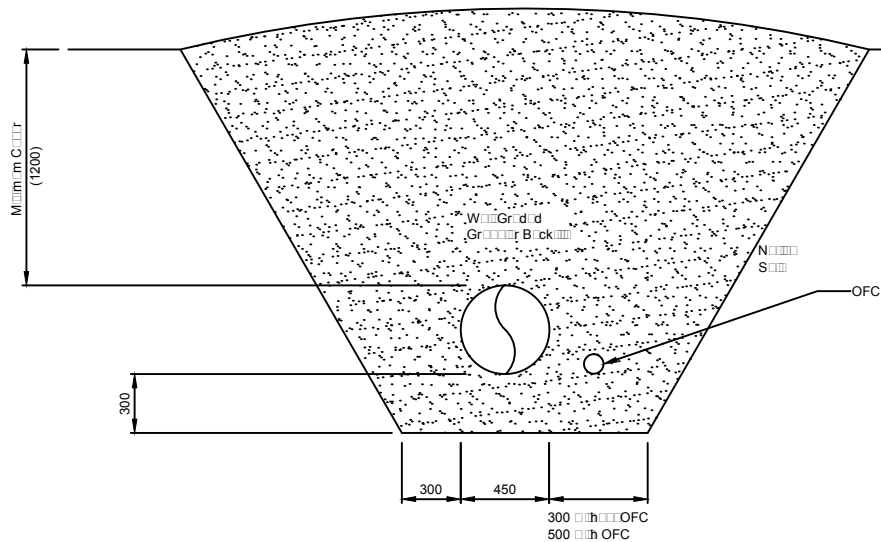
SHEET NO.

1 OF 1

FOR ROCKY STRATA / GRAVEL AREA :



FOR CLAY SOIL :



0	10-01-2019	ISSUED FOR TENDER	DV	VKS	SK
REV. NO.	DATE	SUBJECT OF REVISION	DRAWN	CHECKED	APPROVED



LYONS ENGINEERING PVT. LTD.
NEW DELHI

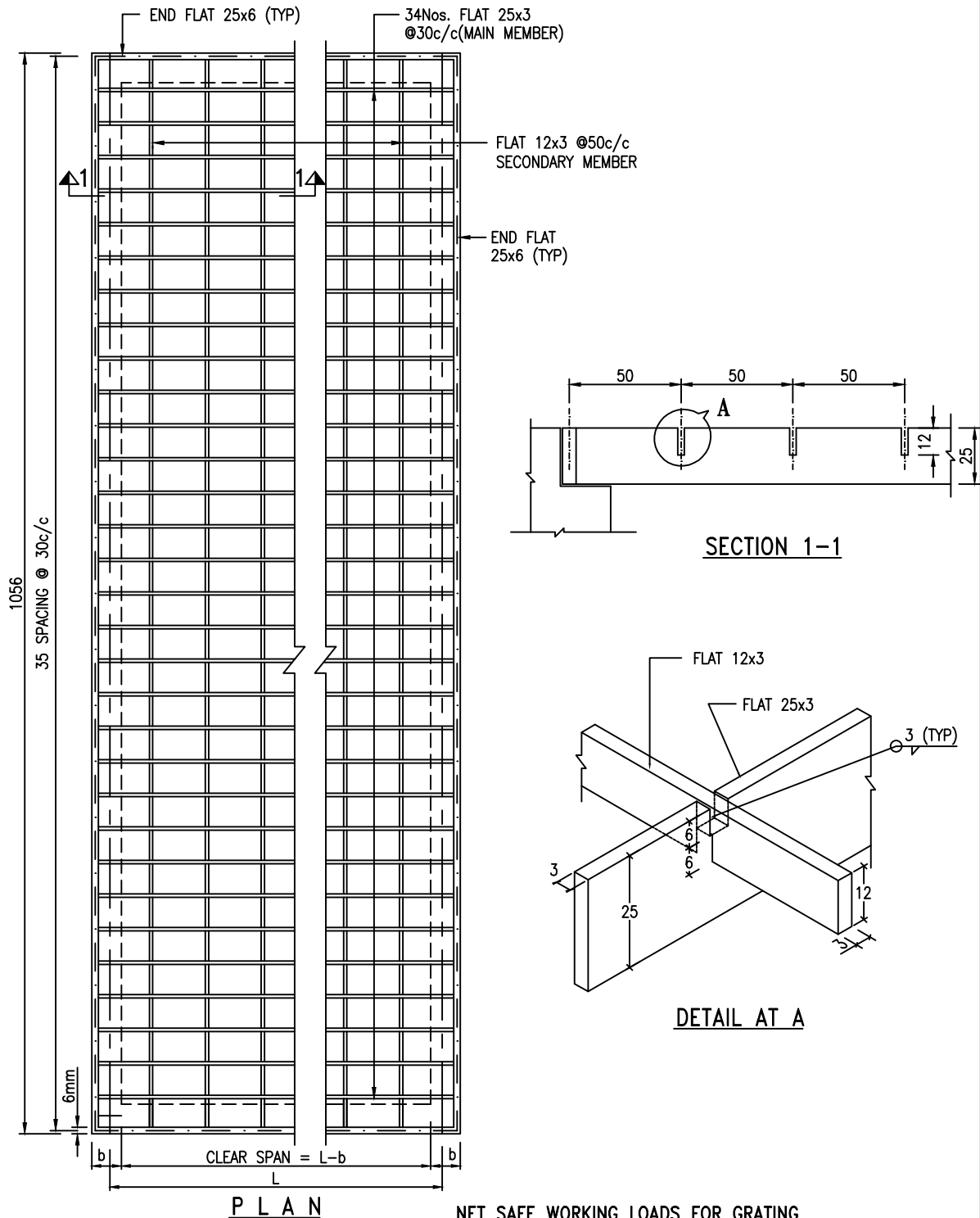
TYPICAL DETAIL
OF GRATING

DRAWING NO.

GAIL-STD-CV-DWG-TP-011

SHEET NO.

2 OF 2



PLAN

NET SAFE WORKING LOADS FOR GRATING

PROPERTIES			TYPE-I	L	500	600	700	800	900	1000	1100	1250	1400
Lxx(cm ⁴)	Zxx(cm ³)	MR(kgm)		Δd	2.5	3.0	3.5	4.0	4.5	5.0	5.5	6.0	6.0
14.84	11.87	195.94	W	> 2000			1515	1105	830	540	345		
			P	1475	1225	1050	915	810	670	550	400	275	

0	10-01-2019	ISSUED FOR TENDER	DV	VKS	SK
REV. NO.	DATE	SUBJECT OF REVISION	DRAWN	CHECKED	APPROVED



LYONS ENGINEERING PVT. LTD.
NEW DELHI

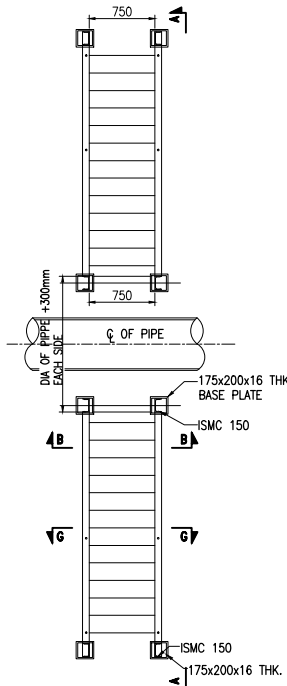
TYPICAL DETAIL OF
CROSS-OVER

DRAWING NO.

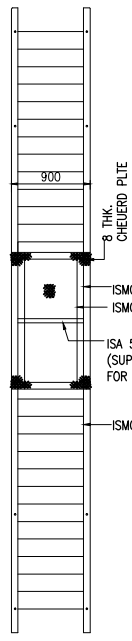
GAIL-STD-CV-DWG-TP-012

SHEET NO.

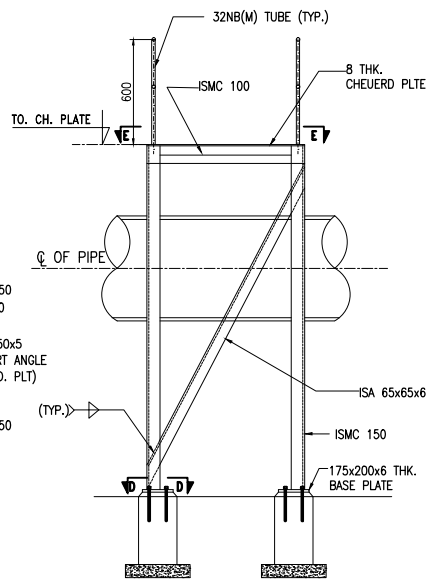
1 OF 1



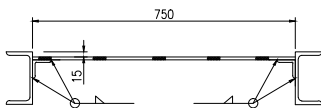
PLAN AT FOUNDATION LEVEL



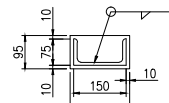
VIEW E-E



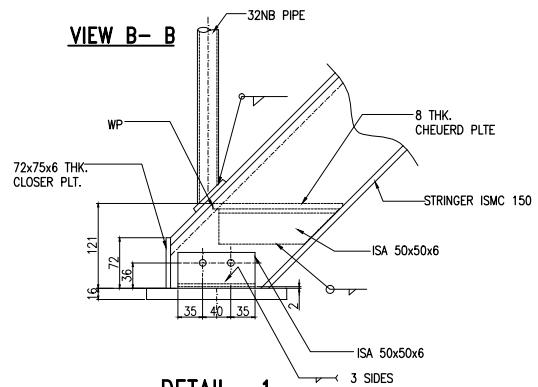
VIEW B-B



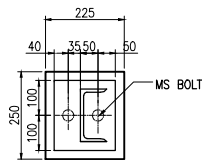
SECTION G-G
(BOTTOM PLATE)



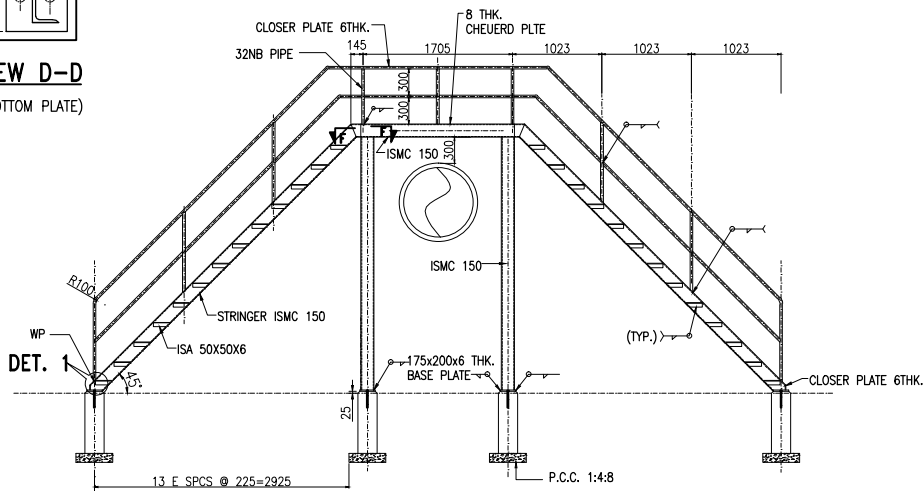
VIEW F-F
TOP PLATE



DETAIL -1



VIEW D-D
(BOTTOM PLATE)



VIEW A-A

0	10-01-2019	ISSUED FOR TENDER	DV	VKS	SK
REV. NO.	DATE	SUBJECT OF REVISION	DRAWN	CHECKED	APPROVED



LYONS ENGINEERING PVT. LTD.
NEW DELHI

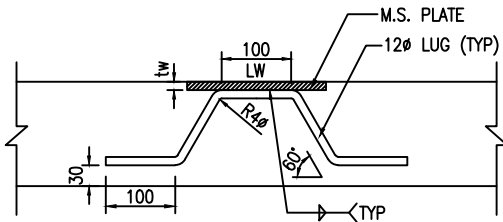
TYPICAL DETAILS OF
INSERT PLATE
(LUG BENDING DETAILS)

DRAWING NO.

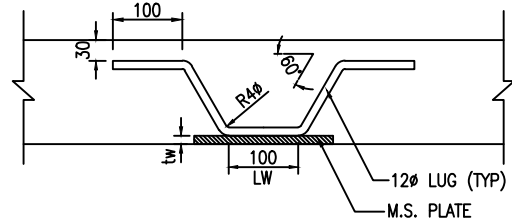
GAIL-STD-CV-DWG-TP-013

SHEET NO.

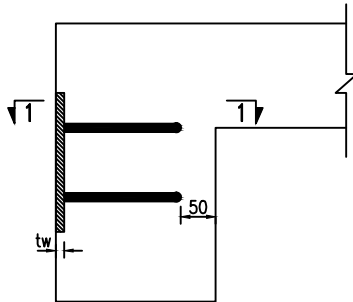
1 OF 1



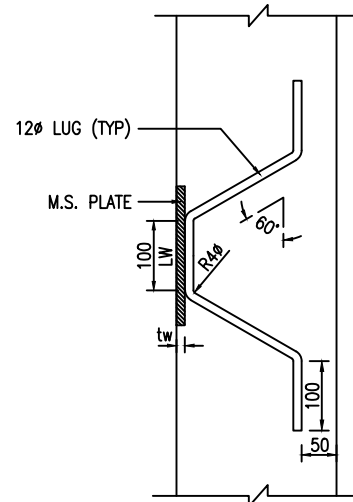
INSERT PLATE DETAIL ON TOP OF SLAB



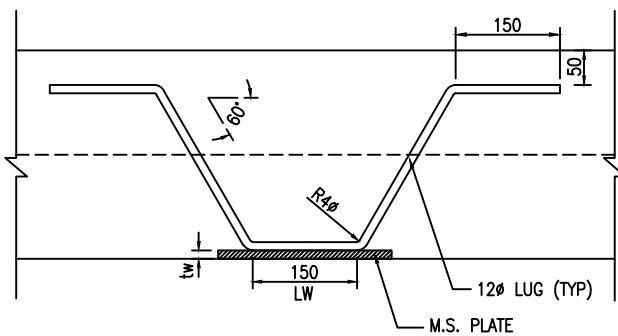
INSERT PLATE DETAIL ON BOTTOM OF SLAB



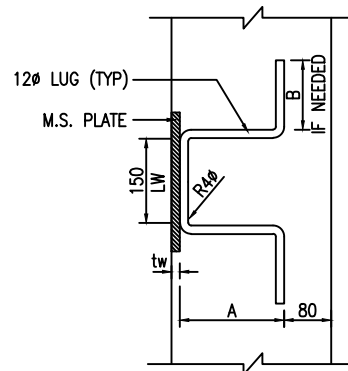
INSERT PLATE DETAIL ON SIDE OF BEAM



PLAN AT 1-1



INSERT PLATE DETAIL ON BOTTOM OF BEAM



INSERT PLATE DETAIL ON COLUMNS

LW = WELD LENGTH AVAILABLE
tw = THICKNESS OF M.S. PLATE
A+B = LUG EMBEDMENT REQUIRED

0	10-01-2019	ISSUED FOR TENDER	DV	VKS	SK
REV. NO.	DATE	SUBJECT OF REVISION	DRAWN	CHECKED	APPROVED



LYONS ENGINEERING PVT. LTD.
NEW DELHI

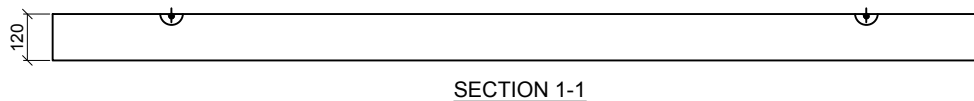
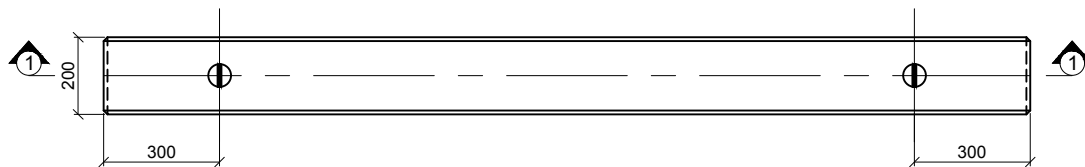
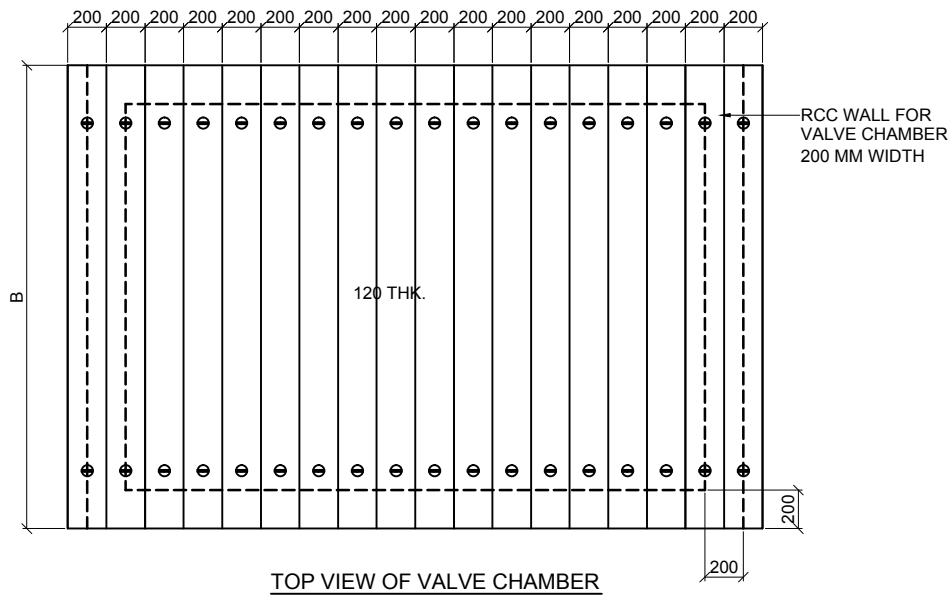
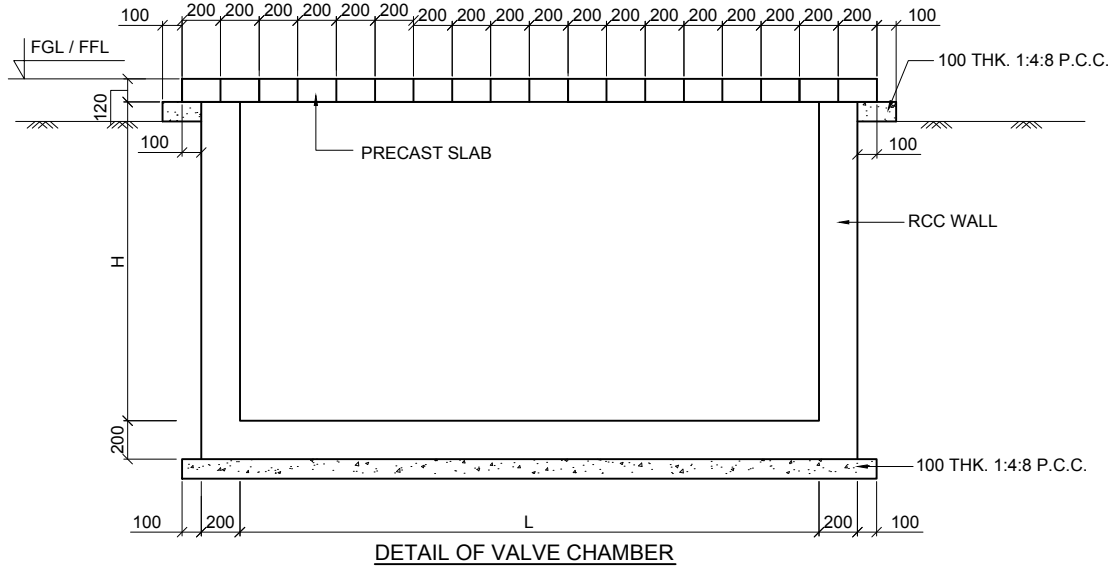
TYPICAL DETAIL OF
G.A. OF VALVE PIT

DRAWING NO.

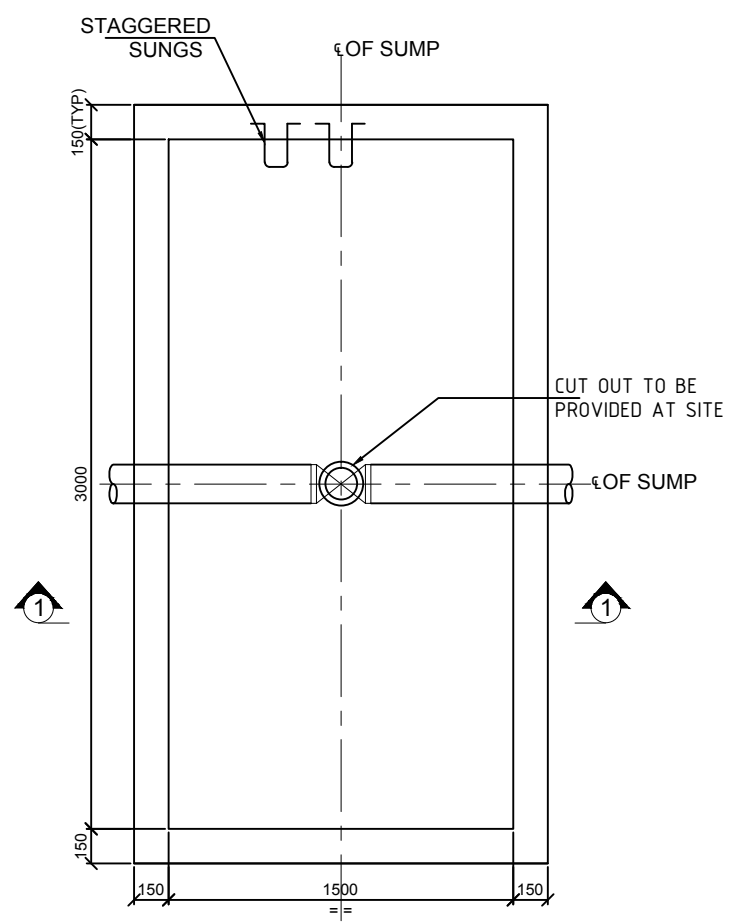
GAIL-STD-CV-DWG-TP-014

SHEET NO.

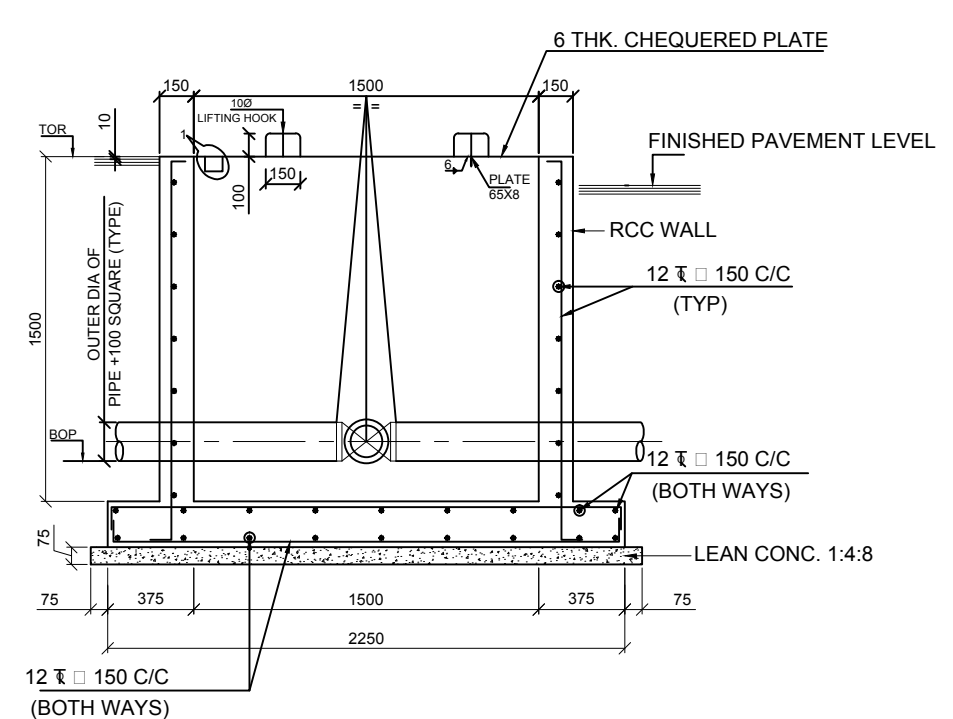
1 OF 2



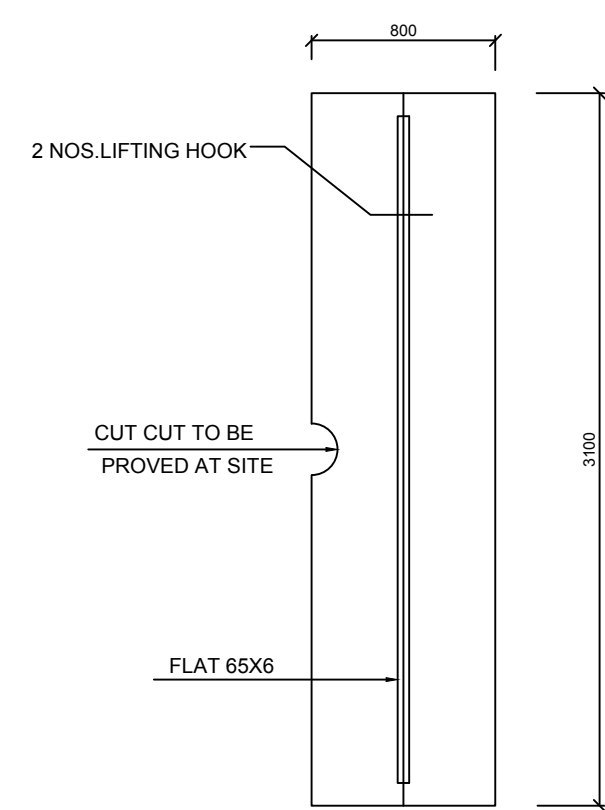
0	10-01-2019	ISSUED FOR TENDER	DV	VKS	SK
REV. NO.	DATE	SUBJECT OF REVISION	DRAWN	CHECKED	APPROVED



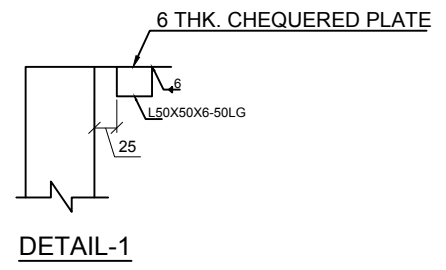
PLAN OF VALVE PIT



SECTION 1-1



PLAN CHEQUERED PLATE (2 NOS. AS PER VALVE PIT)



DETAIL-1

- NOTES:-
- ALL DIMENSIONS ARE IN MM MILIMETER (mm) & LEVEL ARE IN METERS.
 - BUNDING CONCRETE/PCC SHALL BE OF MIX 1:4:8 AND 75MM THICK 75MM PROJECTION BEYOND THE FOUNDATION EDGE UNO ON THE DRAWING THE GRADE OF CONCRETE FOR RCC WORK SHALL BE M-25 CONFORMING TO IS-456
 - REINFORCEMENT SHALL BE HYSD BARS OF GRADE Fe415 CONFORMING TO IS-456
 - CLEAR COVER TO MAIN REINFORCEMENT PROVED AS FOLLOW
FOOTING = 40mm.
WALL = 40mm.
- LEGEND:-
- FGL = FINISHED GROUND LEVEL
 - TOR = TOP OF ROAD
 - BOP = BOTTOM OF PIPE

0	10.01.19	ISSUED FOR TENDER	DV	UN	UN
REV.	DATE	DESCRIPTION	PREP.	CHKD.	APPD.
CLIENT: GAIL (INDIA) LIMITED					
PMC: LYONS ENGINEERING PVT. LTD.					
SCALE	TITLE: TYPICAL DETAIL OF GA & RC OF VALVE PIT				
NTS					
SIZE	DRAWING NUMBER		SHEET	REV.	
A2	GAIL-STD-CV-DWG-TP-014		2 OF 2	0	



LYONS ENGINEERING PVT. LTD.
NEW DELHI

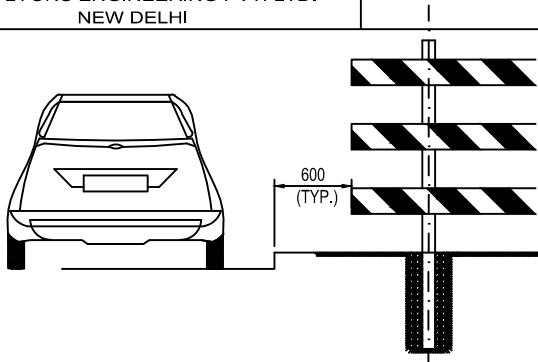
TYPICAL BARRICADES DRAWING

DRAWING NO.

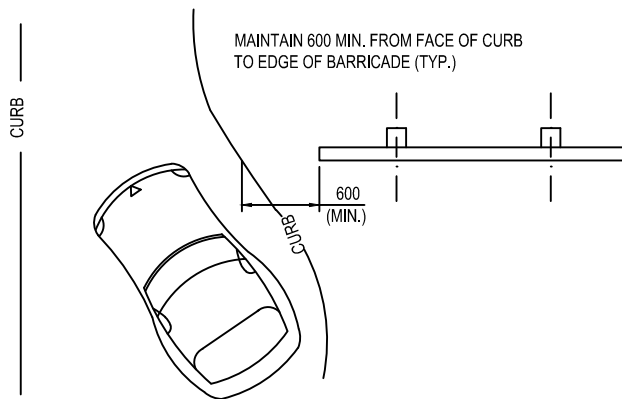
GAIL-STD-CV-DWG-TP-015

SHEET NO.

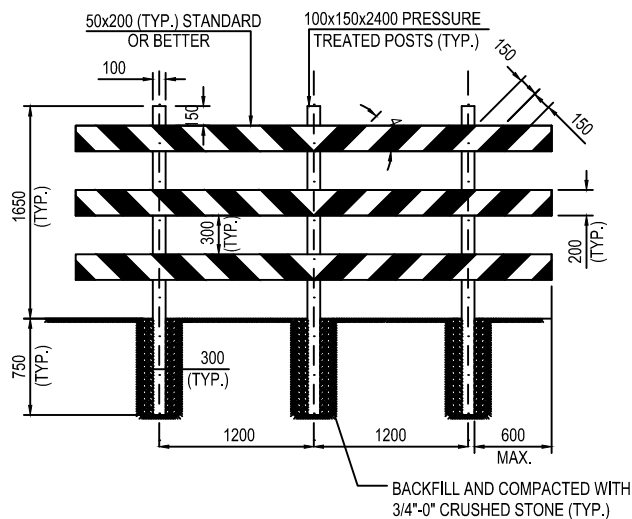
1 OF 1



TYPICAL NARROWING OF DRIVING AREA BARRICADE (USW DIMENSIONS BELOW)
ORIENT DIAGOINAL BARS TO CHANNEL TRAFIC AS SHOWN

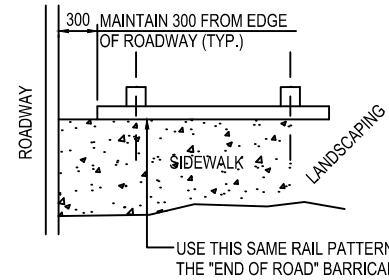


NARROWING OF DRIVING AREA

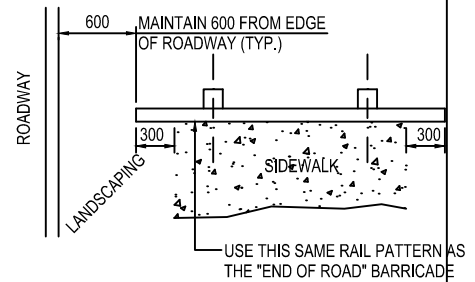


END OF ROAD BARRICADE

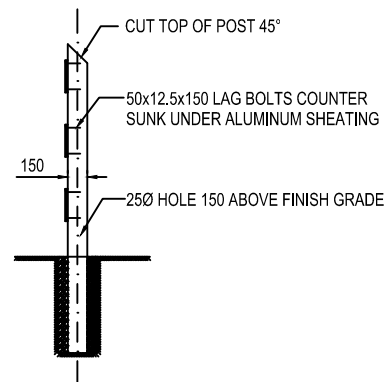
(TYPICAL DIMENSIONS AND LAYOUT)



END OF SIDEWALK ('TYPE B')



END OF SIDEWALK ('TYPE A')



SECTION

NOTES:-

ALL WOOD SHALL BE PAINTED WHITE.

ALTERNATING RED & WHITE HIGH INTENSITY PRISMATIC 0.80. ALUMINUM SHEATING SHALL BE SCREWED TO THE HORIZONTAL RAILS

ALL FASTENERS TO BE STAINLESS STEEL OR RUST PROOF HEAVY GALVANIZED

FOR STREET BARRICADES HORIZONTAL RAIL LENGTH SHALL EQUAL THE DISTANCE BETWEEN THE FACE OF CURB PLUS 600. (EG. 1000 CURB 1600 RAILS).

0	10-01-2019	ISSUED FOR TENDER	DV	VKS	SK
REV. NO.	DATE	SUBJECT OF REVISION	DRAWN	CHECKED	APPROVED



LYONS ENGINEERING PVT. LTD.
NEW DELHI

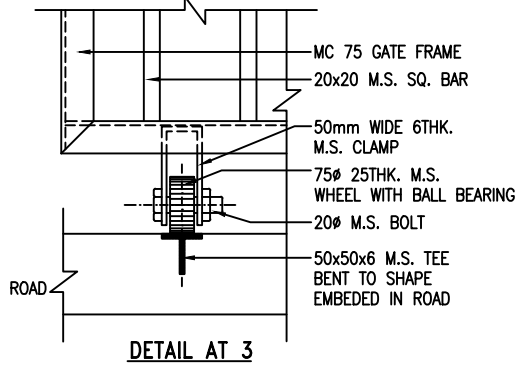
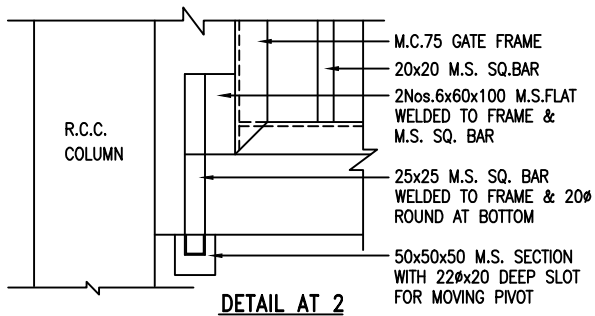
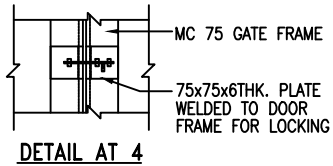
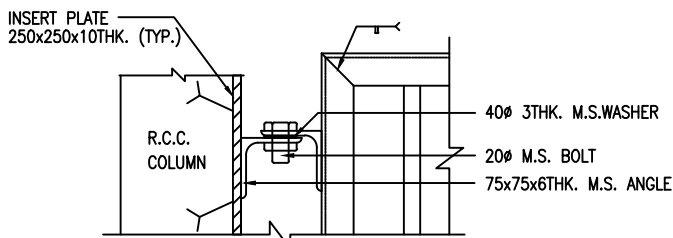
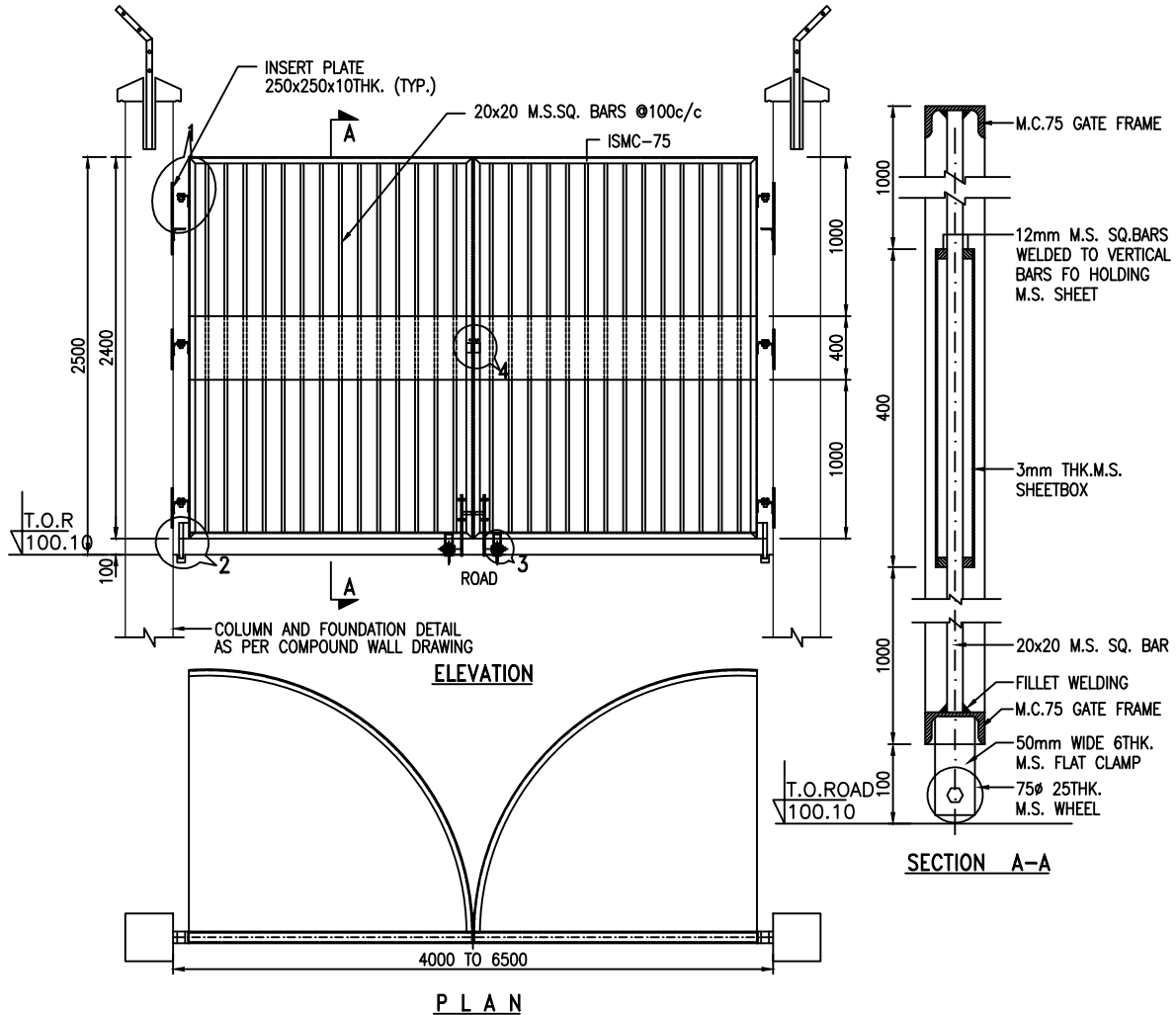
TYPICAL DETAIL OF
HUNG GATE

DRAWING NO.

GAIL-STD-CV-DWG-TP-016

SHEET NO.

1 OF 4



0	10-01-2019	ISSUED FOR TENDER	DV	VKS	SK
REV. NO.	DATE	SUBJECT OF REVISION	DRAWN	CHECKED	APPROVED



LYONS ENGINEERING PVT. LTD.
NEW DELHI

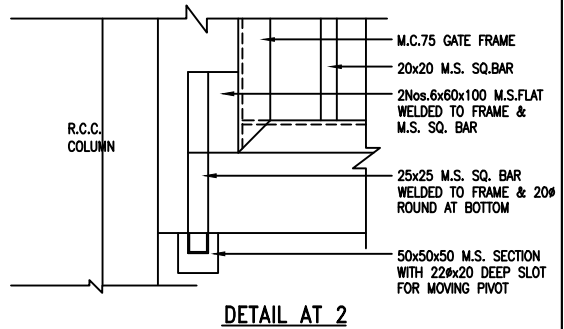
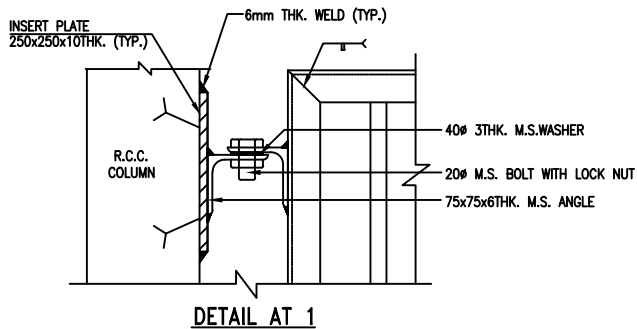
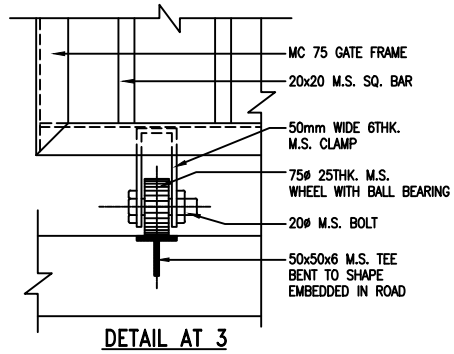
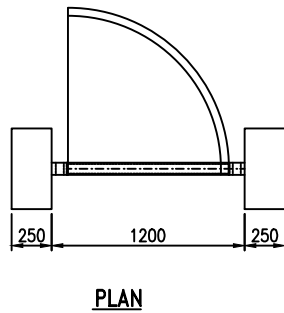
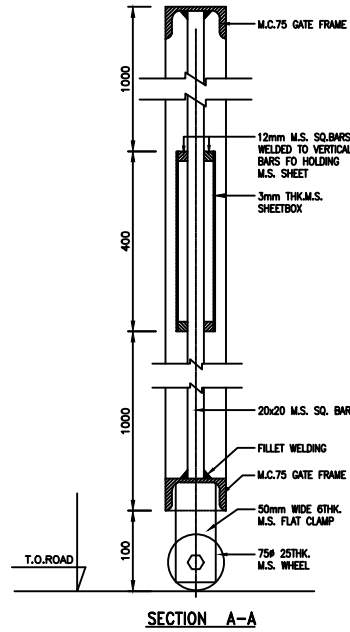
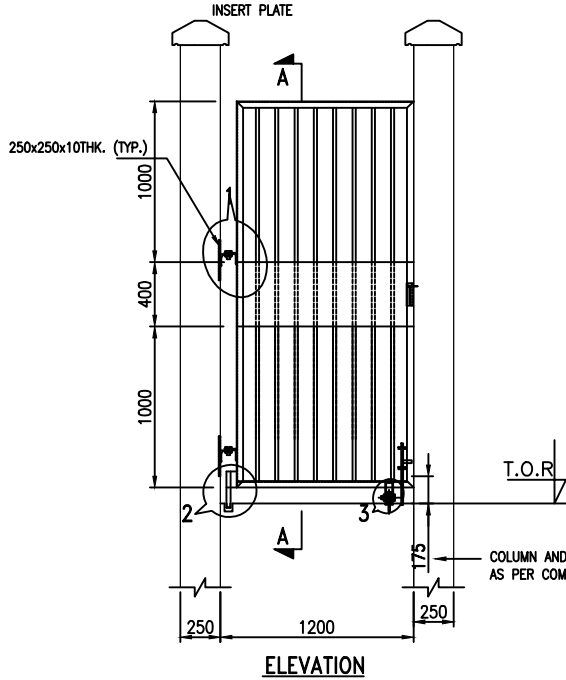
TYPICAL DETAIL OF
HUNG GATE

DRAWING NO.

GAIL-STD-CV-DWG-TP-016

SHEET NO.

2 OF 4



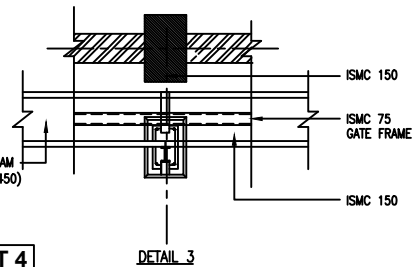
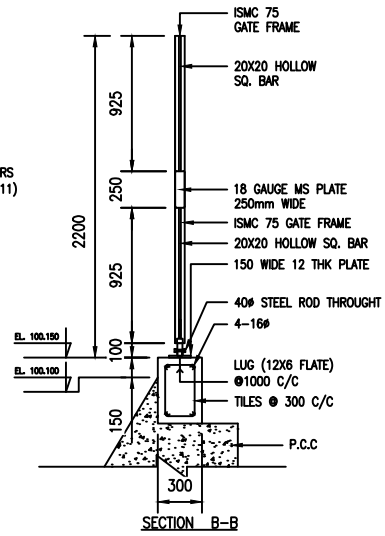
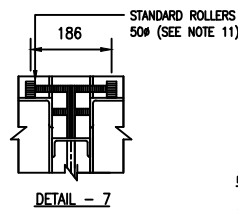
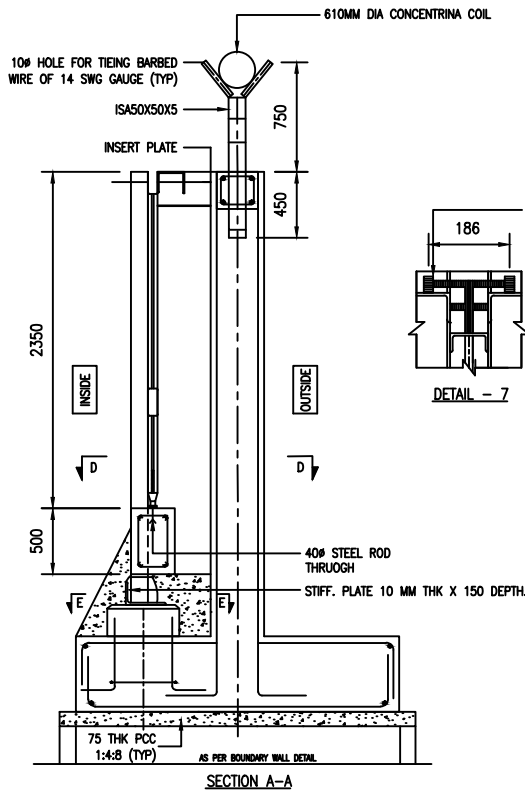
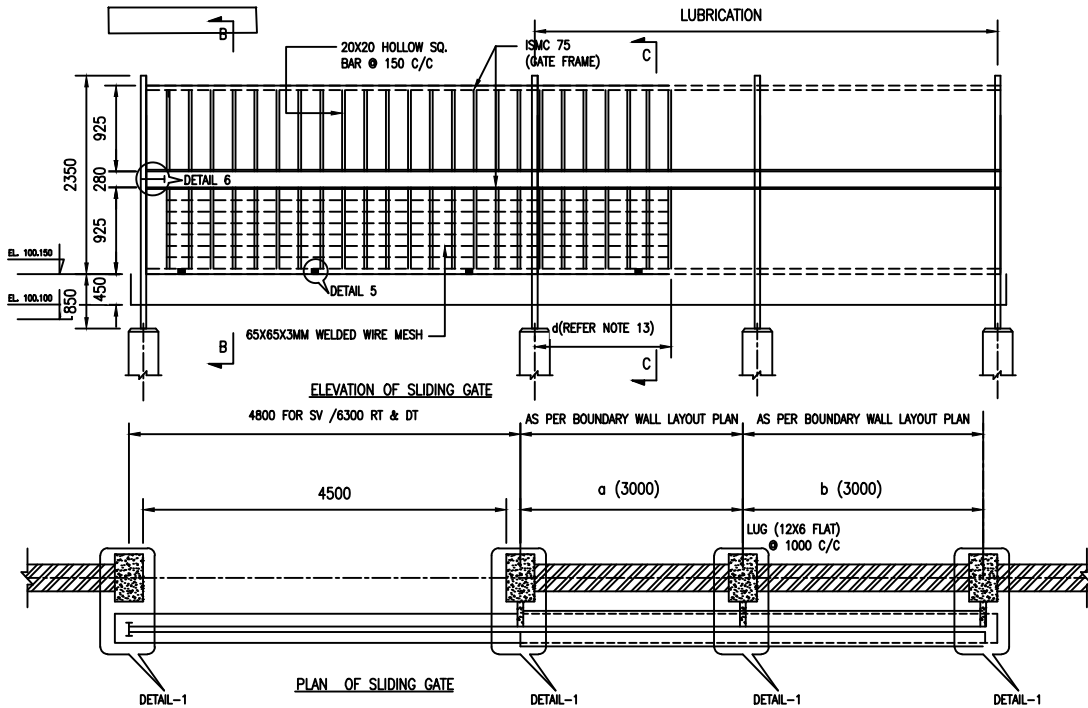
0	10-01-2019	ISSUED FOR TENDER	DV	VKS	SK
REV. NO.	DATE	SUBJECT OF REVISION	DRAWN	CHECKED	APPROVED



LYONS ENGINEERING PVT. LTD.
NEW DELHI

TYPICAL DETAIL OF
HUNG GATE

DRAWING NO.
GAIL-STD-CV-DWG-TP-016
SHEET NO. 3 OF 4



CONTINUED ON SHEET 4

0	10-01-2019	ISSUED FOR TENDER	DV	VKS	SK
REV. NO.	DATE	SUBJECT OF REVISION	DRAWN	CHECKED	APPROVED



LYONS ENGINEERING PVT. LTD.
NEW DELHI

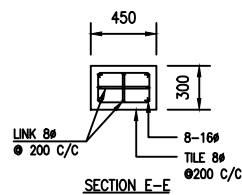
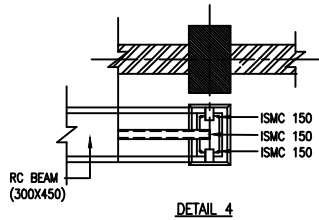
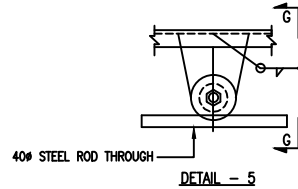
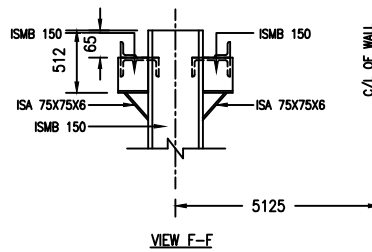
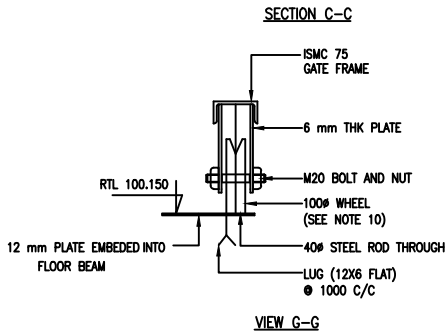
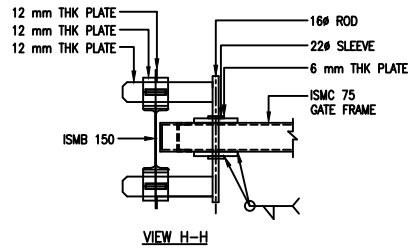
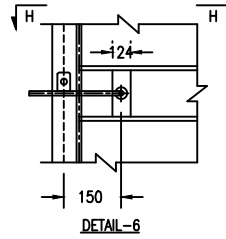
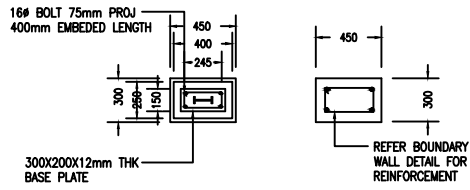
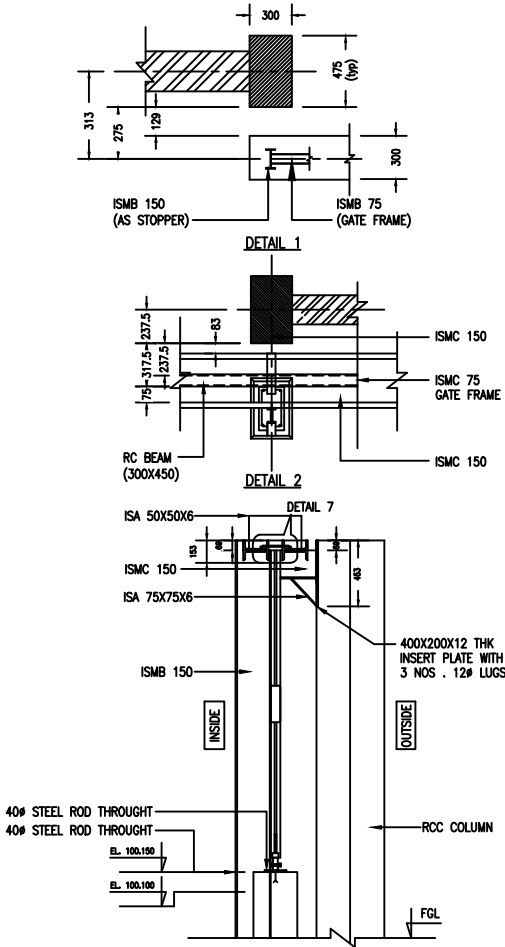
TYPICAL DETAIL OF
SLIDING GATE

DRAWING NO.

GAIL-STD-CV-DWG-TP-016

SHEET NO.

4 OF 4



0	10-01-2019	ISSUED FOR TENDER	DV	VKS	SK
REV. NO.	DATE	SUBJECT OF REVISION	DRAWN	CHECKED	APPROVED



LYONS ENGINEERING PVT. LTD.
NEW DELHI

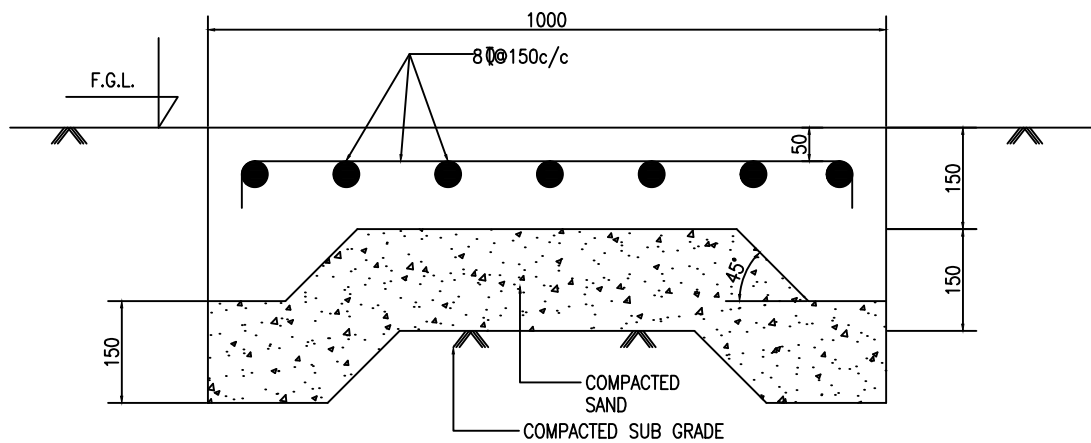
TYPICAL DETAIL
OF FOOTPATH

DRAWING NO.

GAIL-STD-CV-DWG-TP-017

SHEET NO.

1 OF 1



TYPICAL DETAIL OF FOOTPATH

0	10-01-2019	ISSUED FOR TENDER	DV	VKS	SK
REV. NO.	DATE	SUBJECT OF REVISION	DRAWN	CHECKED	APPROVED



LYONS ENGINEERING PVT. LTD.
NEW DELHI

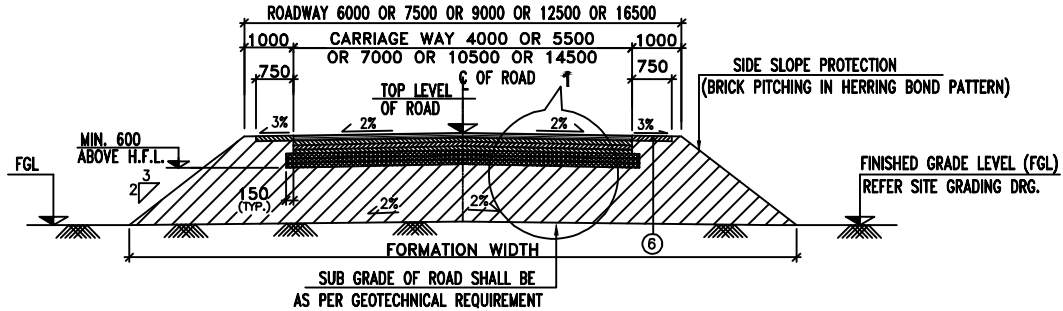
TYPICAL
CROSS SECTION OF ROAD
(BITUMENOUS)

DRAWING NO.

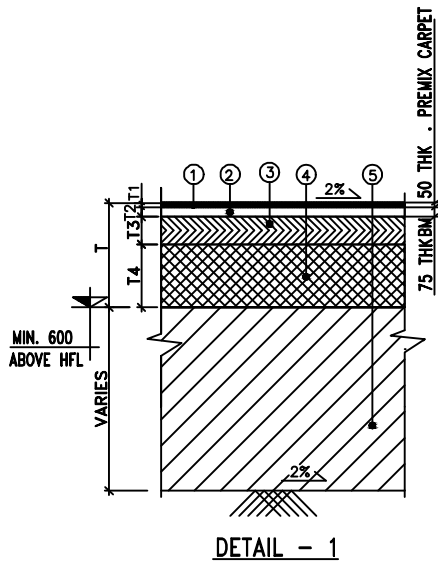
GAIL-STD-CV-DWG-TP-018

SHEET NO.

1 OF 2



CROSS SECTION OF ROAD



LEGEND :-

- ① 50 mm THK. PREMIX CARPET WITH PREMIXED SEAL COAT (PC) (T1)
- ② 75 mm THK. BITUMENOUS MACADAM (BM) (T2)
- ③ BASE COURSE (T3)
MINIMUM 2 LAYERS (EACH LAYER 75mm THICK) OF WATER BOUND MACADAM (WBM) WITH GRADE-II AGGREGATE (63mm TO 45mm) REFER NOTE-2.
- ④ SUB BASE COURSE (T4)
MINIMUM 2 LAYERS (EACH LAYER 100mm THICK) OF WATER BOUND MACADAM (WBM) WITH GRADE-I AGGREGATE (90mm TO 45mm) REFER NOTE-2.
- ⑤ FILLING AND COMPACTION SHALL BE AS PER GEOTECH RECOMMENDATION. (REFER NOTE-3)
- ⑥ 75 mm THK. WATER BOUND MACADAM COURSE (WBM) WITH GRADE-II AGGREGATE (63mm TO 45mm).

(TOTAL CRUST THICKNESS) $T = T2+T3+T4$

(T1- PREMIX CARPET IS ONLY A WEARING COURSE AND IS NOT CONSIDERED IN TOTAL CRUST THICKNESS)

GEOTECHNICAL RECOMMENDATION SHALL BE FOLLOWED FOR ROAD SUBGRADE AND EMBANKMENT PREPARATION.

NOTES:-

1. ALL DIMENSIONS ARE IN MM, UNLESS MENTIONED OTHERWISE.
2. THE CROSS-SECTION OF CRUST SHOWN HERE ARE MINIMUM & INDICATIVE ONLY AND PREPARE FOR BID PURPOSE ONLY HOWEVER, THE CONSTRUCTION SHALL BE EXECUTED AS PER APPROVED FOR CONSTRUCTION DRG.
3. FOR SUBGRADE & EMBANKMENT PREPARATION OF ROAD, GEOTECHNICAL'S RECOMMENDATION SHALL BE FOLLOWED.

0	10-01-2019	ISSUED FOR TENDER	DV	VKS	SK
REV. NO.	DATE	SUBJECT OF REVISION	DRAWN	CHECKED	APPROVED



LYONS ENGINEERING PVT. LTD.
NEW DELHI

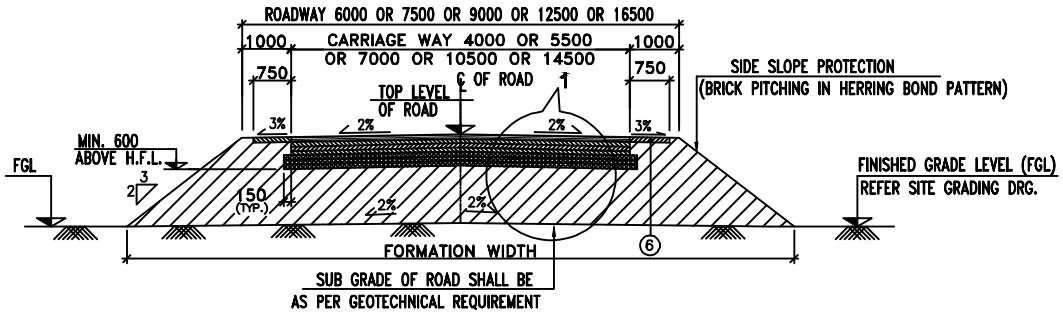
TYPICAL
CROSS SECTION OF ROAD
(RCC)

DRAWING NO.

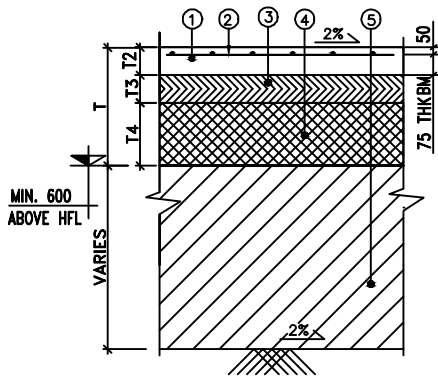
GAIL-STD-CV-DWG-TP-018

SHEET NO.

2 OF 2



CROSS SECTION OF ROAD



DETAIL - 1

LEGEND :-

- ① R.C.C. M-25 150 MM THK. (T2)
- ② HYD REINF. 8 ϕ 150 C/C BOTHWAYS
- ③ BASE COURSE (T3)
MINIMUM 2 LAYERS (EACH LAYER 75mm THICK) OF WATER BOUND MACADAM (WBM) WITH GRADE-II AGGREGATE (63mm TO 45mm) REFER NOTE-2.
- ④ SUB BASE COURSE (T4)
MINIMUM 2 LAYERS (EACH LAYER 100mm THICK) OF WATER BOUND MACADAM (WBM) WITH GRADE-I AGGREGATE (90mm TO 45mm) REFER NOTE-2.
- ⑤ FILLING AND COMPACTION SHALL BE AS PER GEOTECH RECOMMENDATION. (REFER NOTE-3)
- ⑥ 75 mm THK. WATER BOUND MACADAM COURSE (WBM) WITH GRADE-II AGGREGATE (63mm TO 45mm).

(TOTAL CRUST THICKNESS) $T = T2+T3+T4$

(T1- PREMIX CARPET IS ONLY A WEARING COURSE AND IS NOT CONSIDERED IN TOTAL CRUST THICKNESS)

GEOTECHNICAL RECOMMENDATION SHALL BE FOLLOWED FOR ROAD SUBGRADE AND EMBANKMENT PREPARATION.

NOTES:-

- 1. ALL DIMENSIONS ARE IN MM, UNLESS MENTIONED OTHERWISE.
- 2. THE CROSS-SECTION OF CRUST SHOWN HERE ARE MINIMUM & INDICATIVE ONLY AND PREPARE FOR BID PURPOSE ONLY HOWEVER, THE CONSTRUCTION SHALL BE EXECUTED AS PER APPROVED FOR CONSTRUCTION DRG.
- 3. FOR SUBGRADE & EMBANKMENT PREPARATION OF ROAD, GEOTECHNICAL'S RECOMMENDATION SHALL BE FOLLOWED.

0	10-01-2019	ISSUED FOR TENDER	DV	VKS	SK
REV. NO.	DATE	SUBJECT OF REVISION	DRAWN	CHECKED	APPROVED



LYONS ENGINEERING PVT. LTD.
NEW DELHI

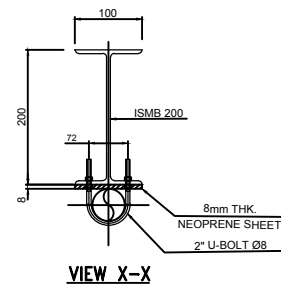
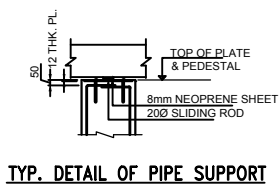
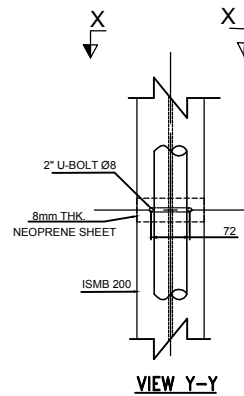
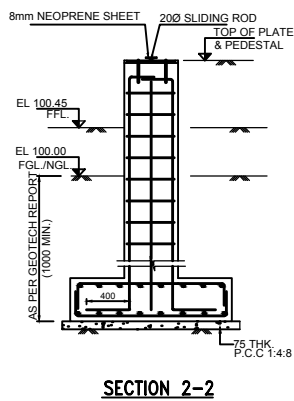
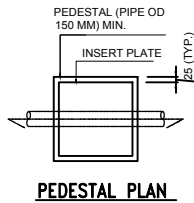
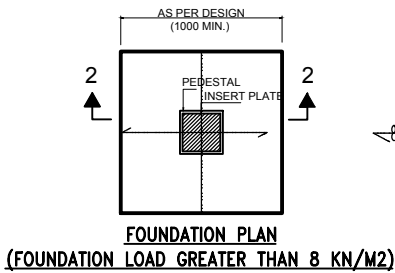
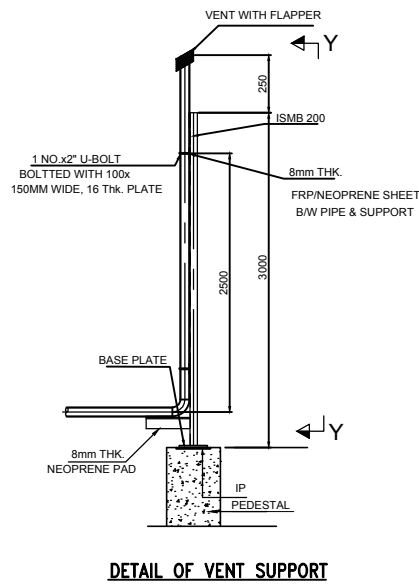
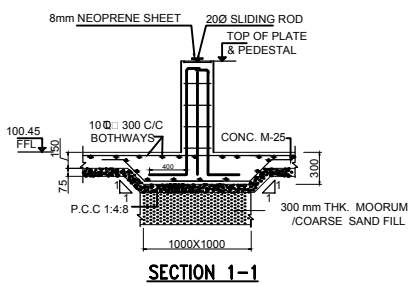
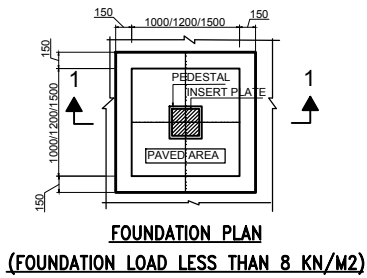
TYPICAL DETAIL OF
RCC PIPE SUPPORT

DRAWING NO.

GAIL-STD-CV-DWG-TP-019

SHEET NO.

1 OF 1



0	10-01-2019	ISSUED FOR TENDER	DV	VKS	SK
REV. NO.	DATE	SUBJECT OF REVISION	DRAWN	CHECKED	APPROVED



LYONS ENGINEERING PVT. LTD.
NEW DELHI

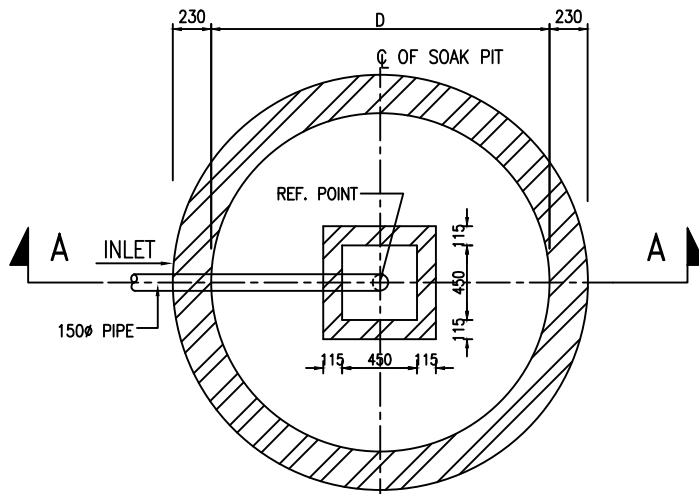
TYPICAL DETAIL
OF SOAKPIT

DRAWING NO.

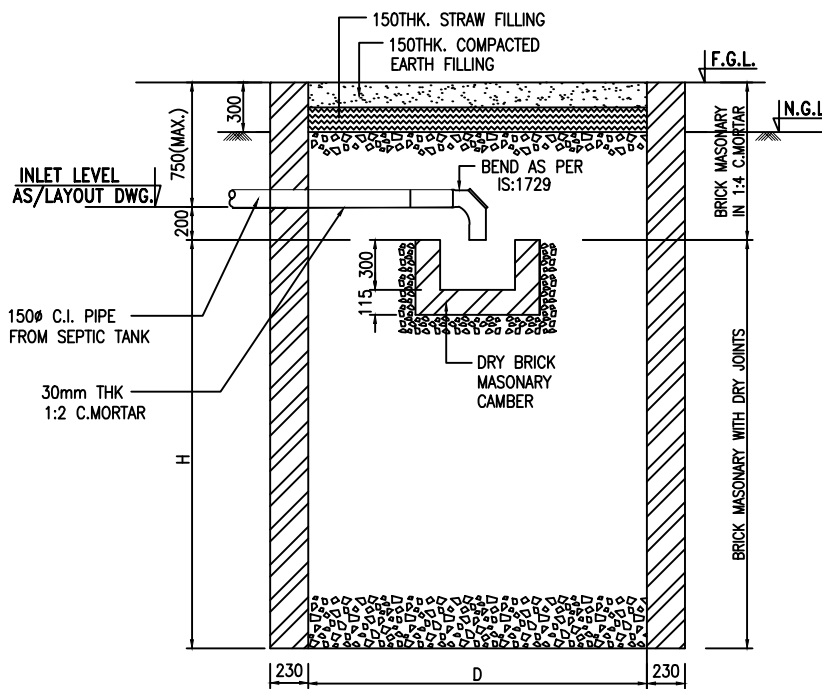
GAIL-STD-CV-DWG-TP-020

SHEET NO.

1 OF 1



PLAN OF SOAK PIT



SECTION A-A

TABLE

TYPE	NO. OF USERS	DEPTH IN METERS	DIA IN METERS	AREA OF ABSORPTION
1	10	2.5	2.5	24.53
2	25	5.0	3.25	59.35
3	50	7.0	3.6	89.30
4	100	10.0	5.0	196.25

NOTES:-

1. ALL DIMENSIONS ARE IN MILLIMETERS EXCEPT LEVELS AND CO-ORDINATES WHICH ARE IN METERS.
2. THE FILLING OF BRICK BATS IN SOAKPIT SHALL BE DONE SIMULTANEOUSLY WITH CONST. OF BRICK WALLS AS WORK PROGRESS.
3. C.I. PIPE SHALL CONFORM TO IS: 3486.
4. DEPTH AND DIA CAN BE SUITABLY ADJUSTED TO GIVE THE ABSORPTIVE AREA DEPENDING UPON THE SUB SOIL WATER TABLE.
5. BOTTOM OF THE SOAKPIT SHOULD NOT BE LESS THAN 600mm ABOVE THE SUB SOIL WATER.

0	10-01-2019	ISSUED FOR TENDER	DV	VKS	SK
REV. NO.	DATE	SUBJECT OF REVISION	DRAWN	CHECKED	APPROVED



LYONS ENGINEERING PVT. LTD.
NEW DELHI

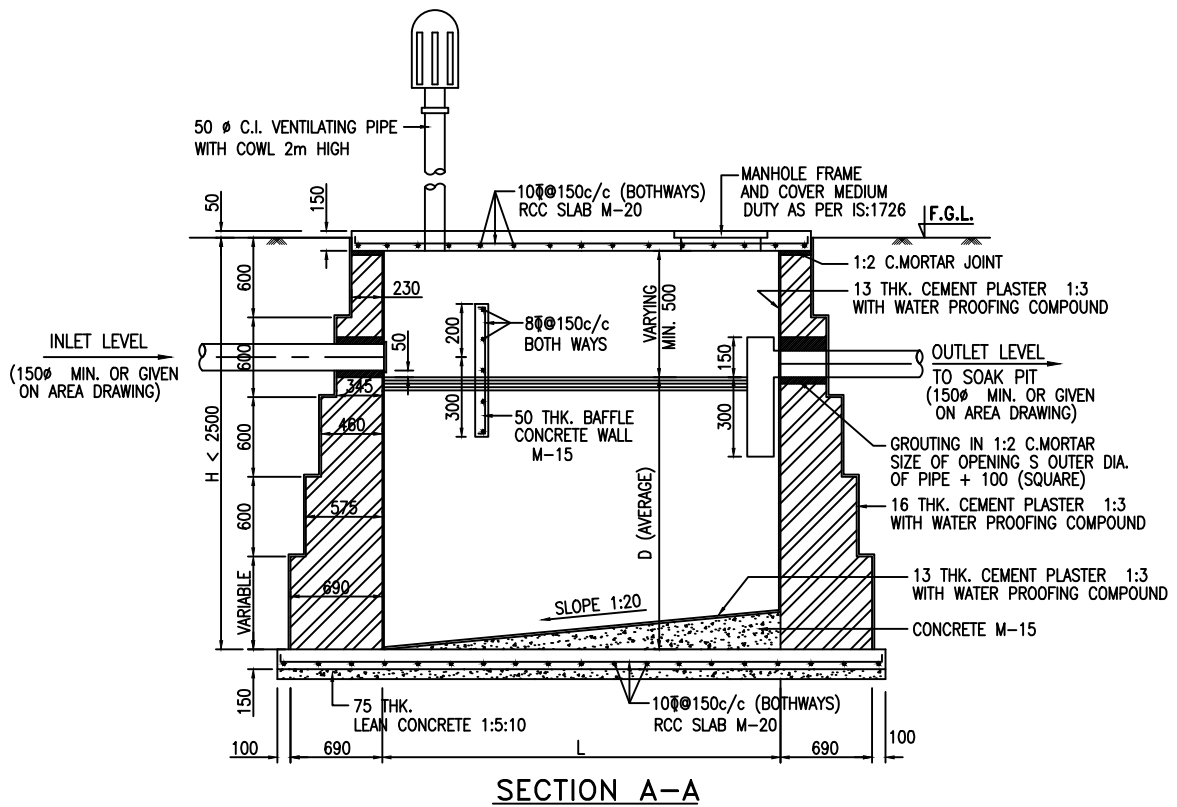
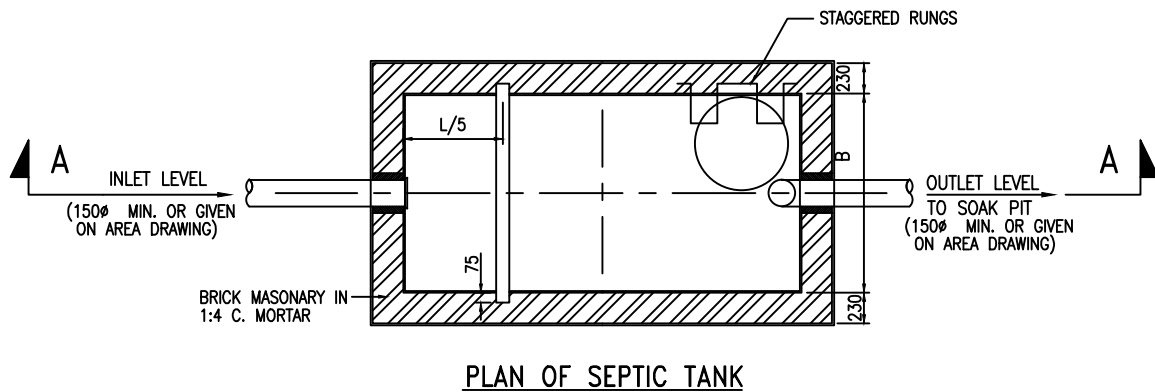
TYPICAL DETAIL OF SEPTIC TANK

DRAWING NO.

GAIL-STD-CV-DWG-TP-021

SHEET NO.

1 OF 1



RECOMMENDED DIMENSIONS OF SEPTIC TANK

TYPE	NO. OF USERS	LENGTH (L)	BREADTH (B)	LIQUID DEPTH (D)
1	10	2000	900	1000
2	20	2300	1100	1300
3	30	4000	1400	1300
4	50	4750	1700	1500

NOTES:-

1. ALL DIMENSIONS ARE IN MM. & LEVEL IN METRES.
2. FOLLOW WRITTEN DIMENSIONS ONLY. DO NOT SCALE.
3. CLEAR COVER TO MAIN REINF. SHALL BE: (a) SLAB = 25mm
4. ϕ DENOTES HIGH YIELD STRENGTH DEFORMED BARS CONFORMING TO IS -1786 (LATEST)
5. DESLUDGING SHALL BE DONE PERIODICALLY EVERY YEAR PREFERABLY BY A PORTABLE NON CLDG. PUMP.

0	10-01-2019	ISSUED FOR TENDER	DV	VKS	SK
REV. NO.	DATE	SUBJECT OF REVISION	DRAWN	CHECKED	APPROVED



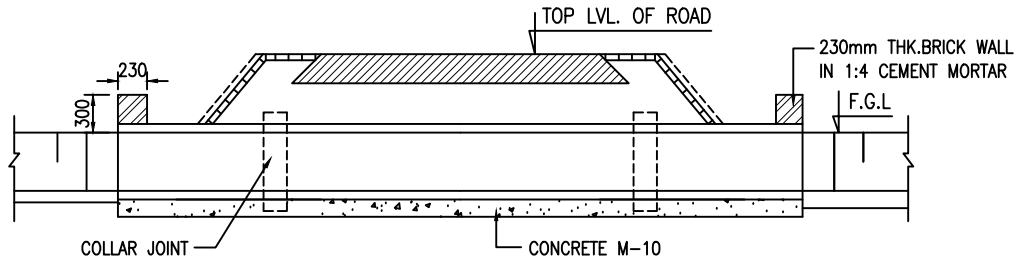
LYONS ENGINEERING PVT. LTD.
NEW DELHI

TYPICAL DETAIL OF
PIPE CULVERT FOR STORM
WATER DRAINAGE

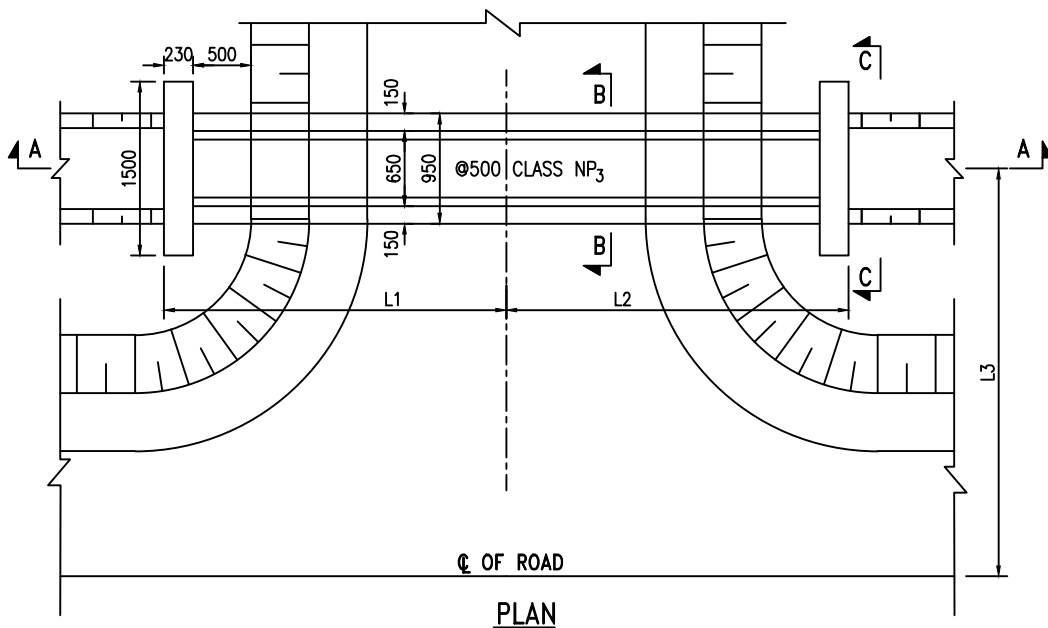
DRAWING NO.
GAIL-STD-CV-DWG-TP-022

SHEET NO.

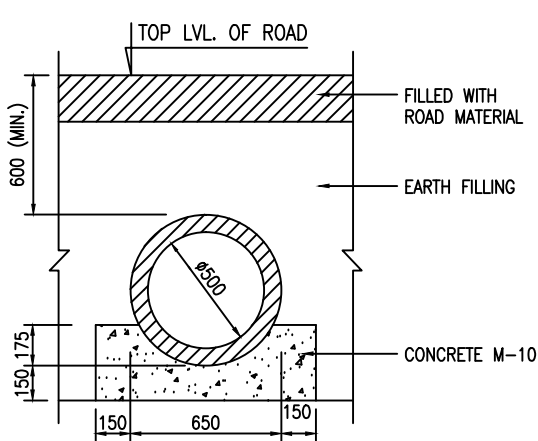
1 OF 2



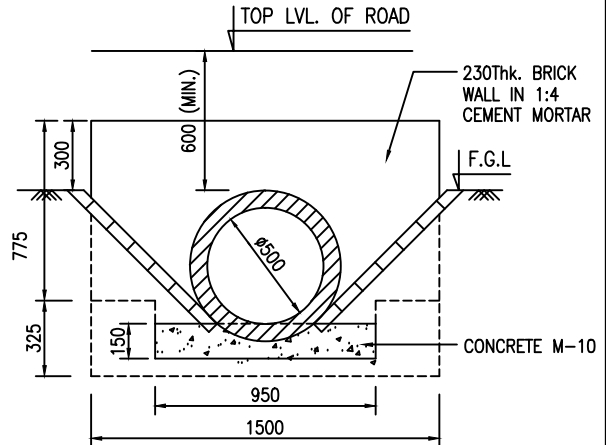
SECTION A-A



PLAN



SECTION B-B



SECTION C-C

0	10-01-2019	ISSUED FOR TENDER	DV	VKS	SK
REV. NO.	DATE	SUBJECT OF REVISION	DRAWN	CHECKED	APPROVED



LYONS ENGINEERING PVT. LTD.
NEW DELHI

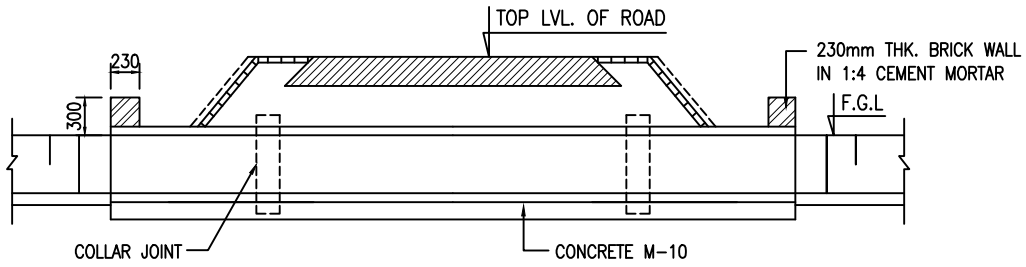
TYPICAL DETAIL OF
PIPE CULVERT FOR STORM
WATER DRAINAGE

DRAWING NO.

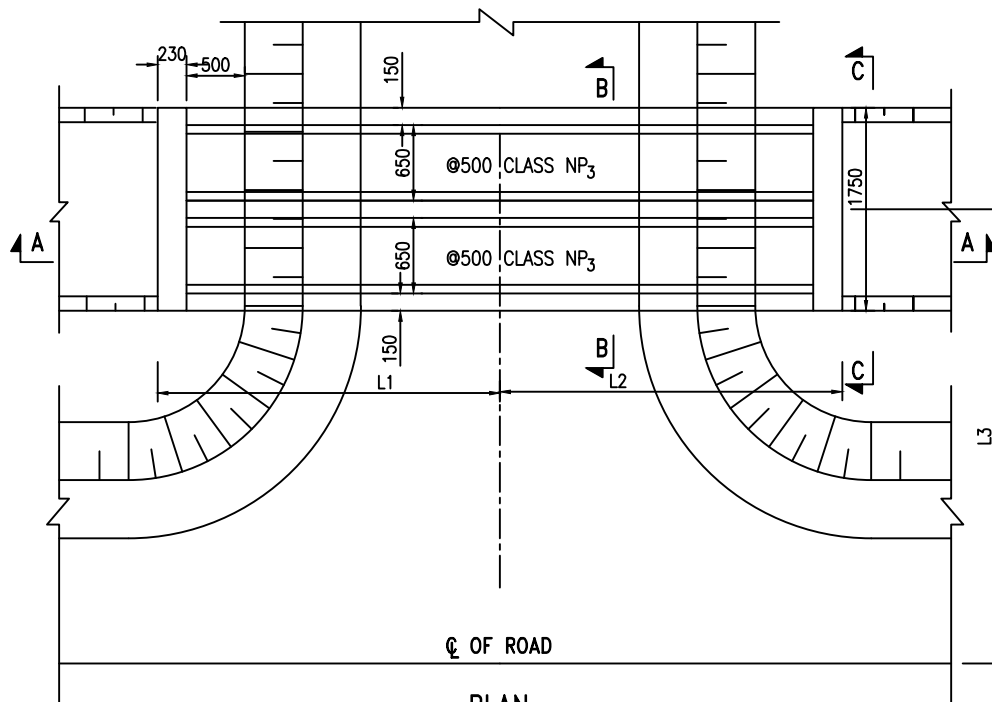
GAIL-STD-CV-DWG-TP-022

SHEET NO.

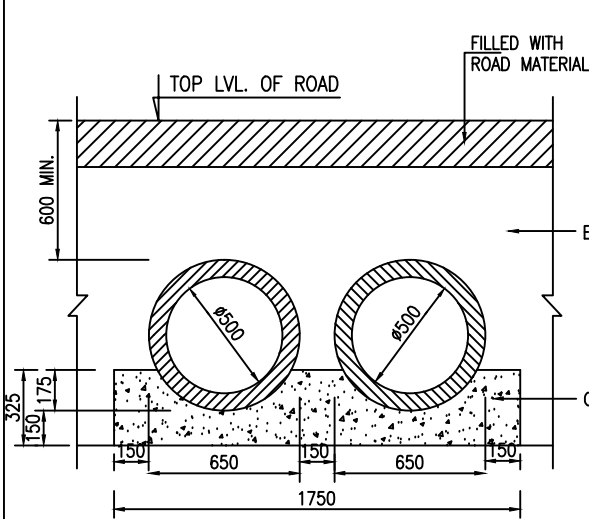
2 OF 2



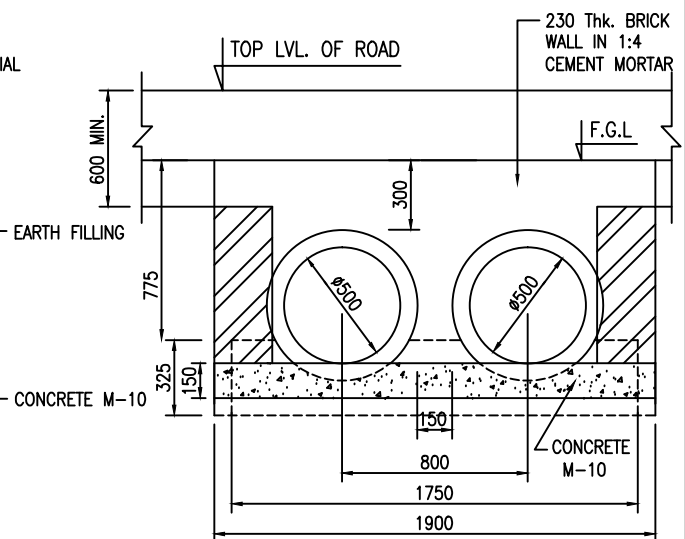
SECTION A-A



PLAN



SECTION B-B



SECTION C-C

0	10-01-2019	ISSUED FOR TENDER	DV	VKS	SK
REV. NO.	DATE	SUBJECT OF REVISION	DRAWN	CHECKED	APPROVED



LYONS ENGINEERING PVT. LTD.
NEW DELHI

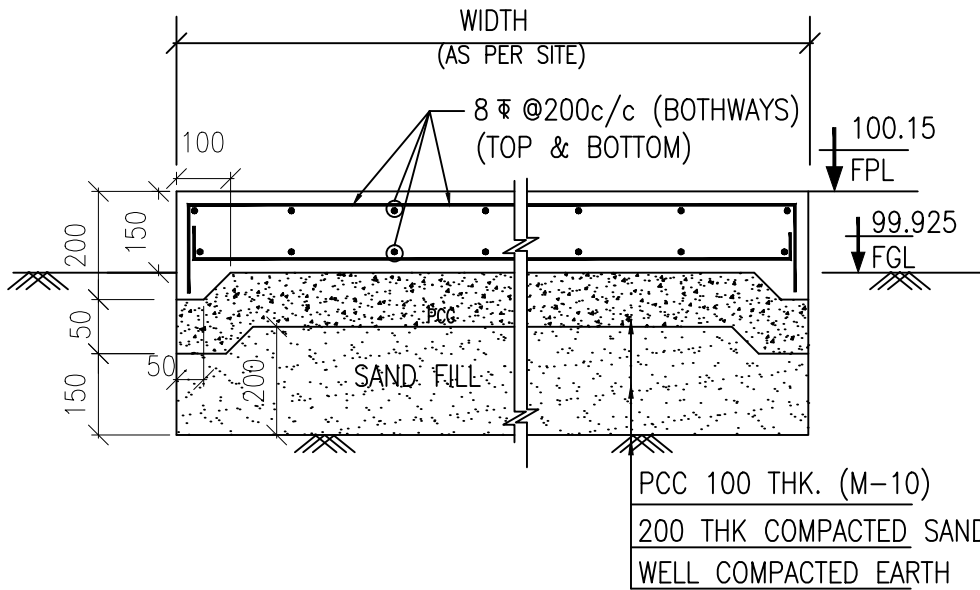
TYPICAL DETAIL OF
RCC PAVEMENT

DRAWING NO.

GAIL-STD-CV-DWG-TP-023

SHEET NO.

1 OF 1



TYPICAL DETAIL OF RCC PAVEMENT

0	10-01-2019	ISSUED FOR TENDER	DV	VKS	SK
REV. NO.	DATE	SUBJECT OF REVISION	DRAWN	CHECKED	APPROVED



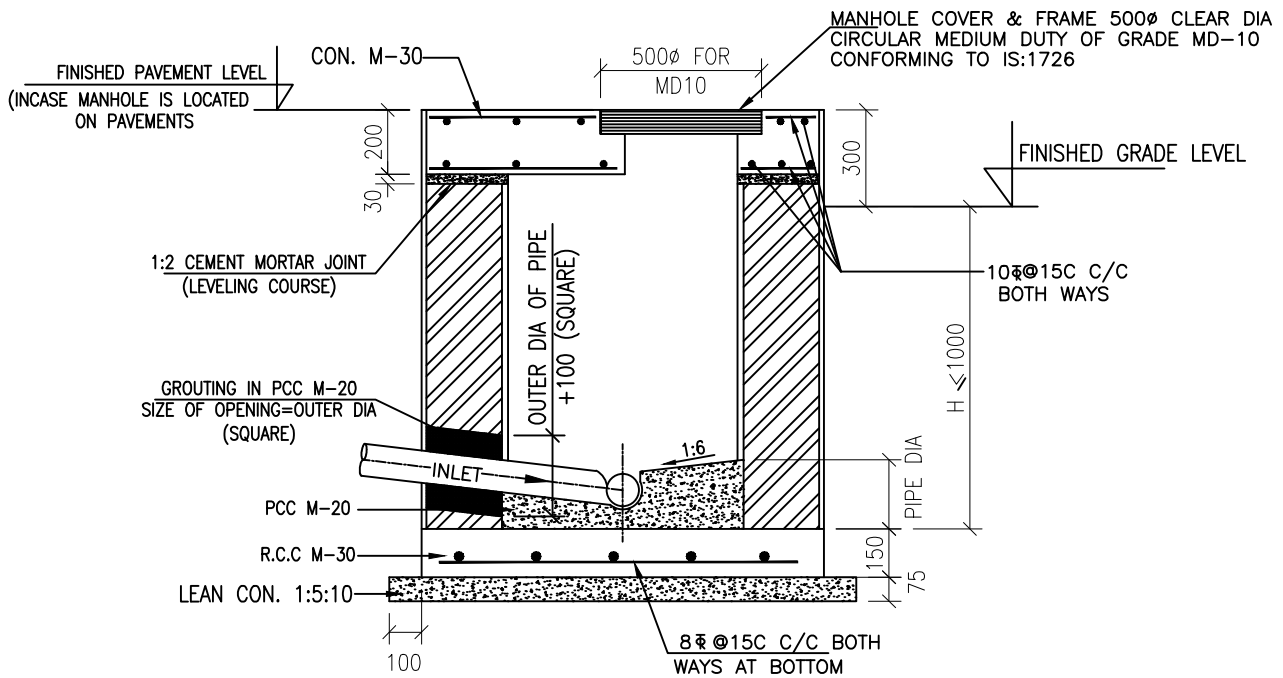
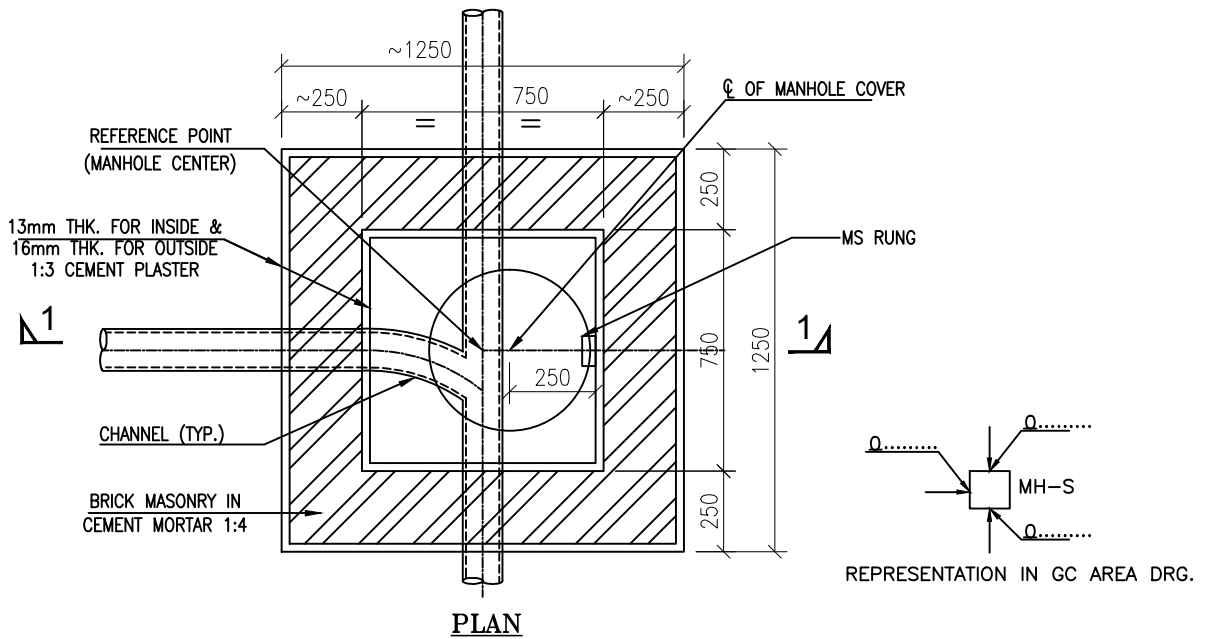
LYONS ENGINEERING PVT. LTD.
NEW DELHI

TYPICAL DETAIL FOR MANHOLE

DRAWING NO.

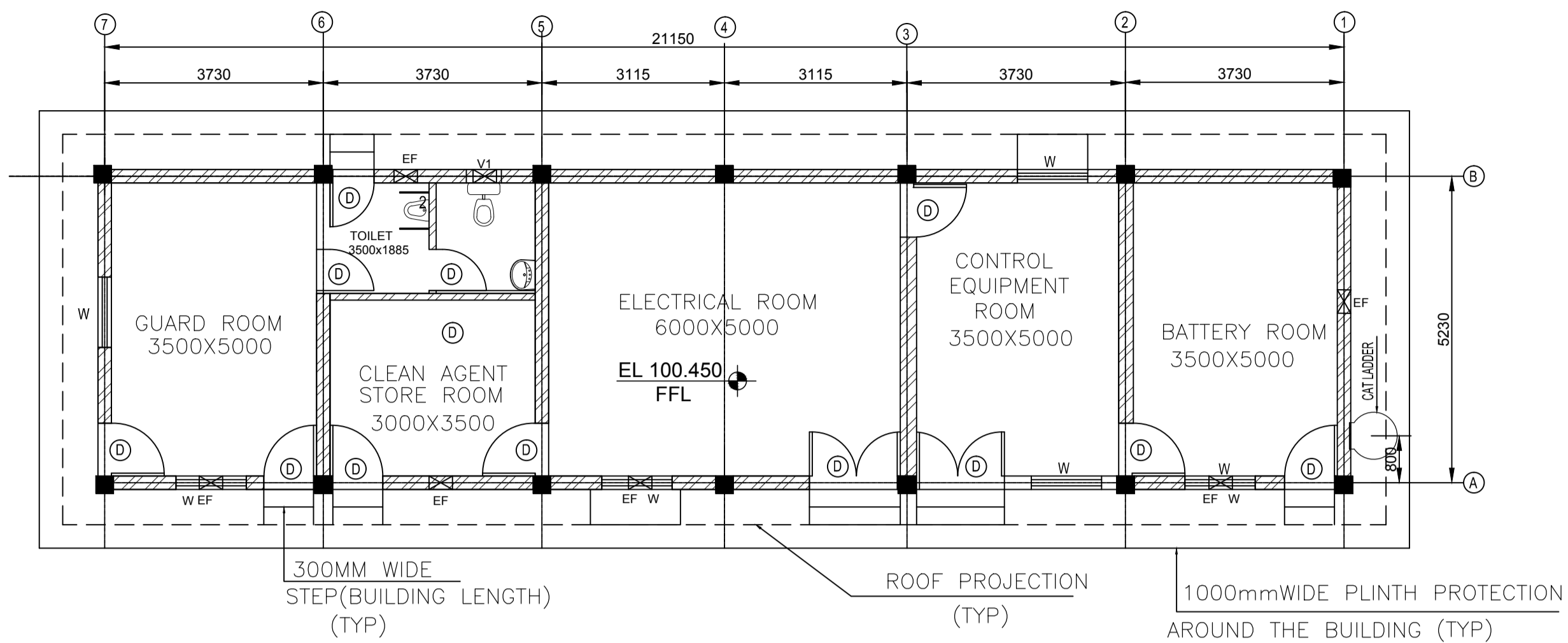
GAIL-STD-EL-DWG-TP-024

1 OF 1

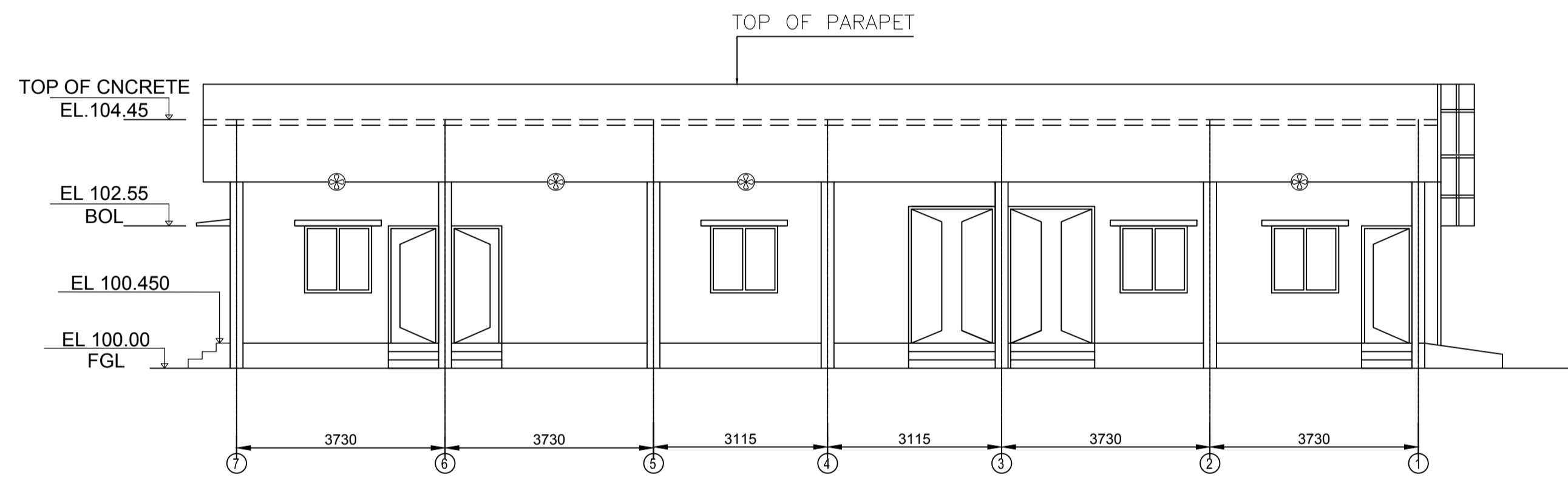


1. ALL DIMENSIONS ARE IN MM UNLESS NOTED OTHERWISE.
2. ALL REINFORCEMENT SHALL BE OF GRADE Fe415 CONFORMING TO IS:1786
3. EXACT THICKNESS OF BRICK MASONARY SHALL BE ACCORDING TO SEZE OF LOCALLY AVAILABLE BRICKS.
4. FOR AGGRESSIVE SOIL CONCRETE GRADE M-35 SHALL BE PROVIDED.

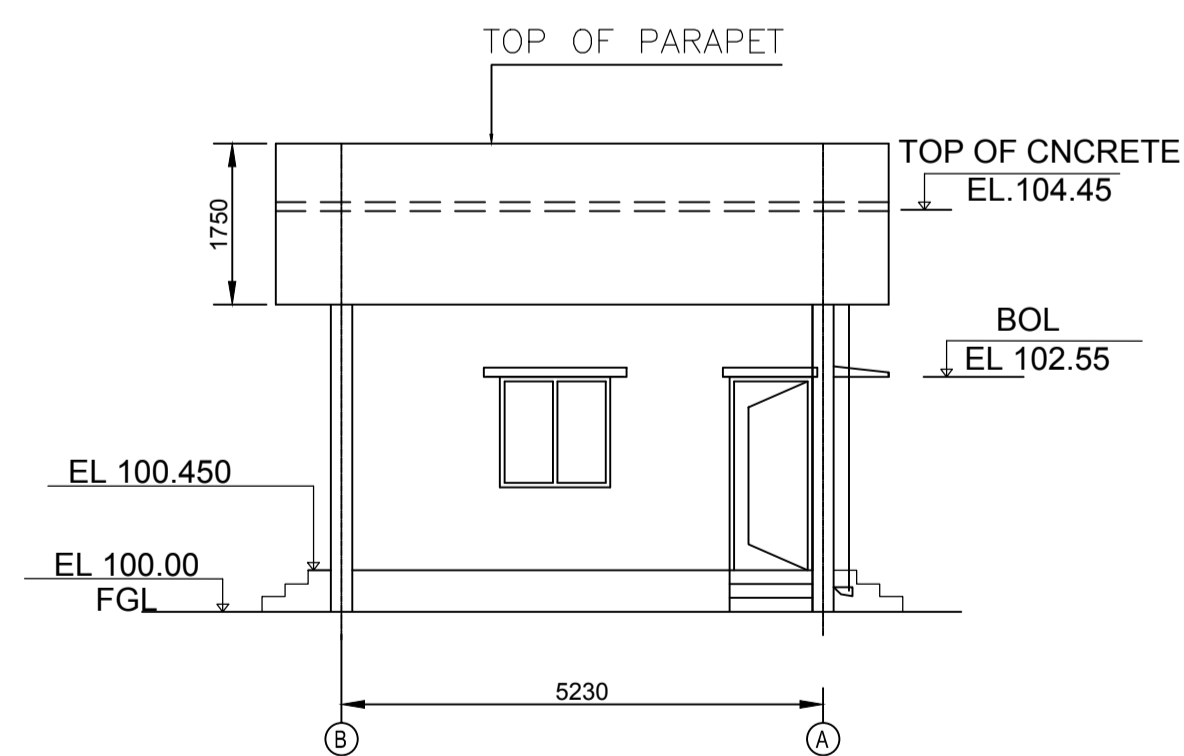
0	15.02.19	ISSUED FOR TENDER	D.V	U.N	S.B
REV.NO.	DATE	SUBJECT OF REVISION	BY	CHECKED	APPROVED



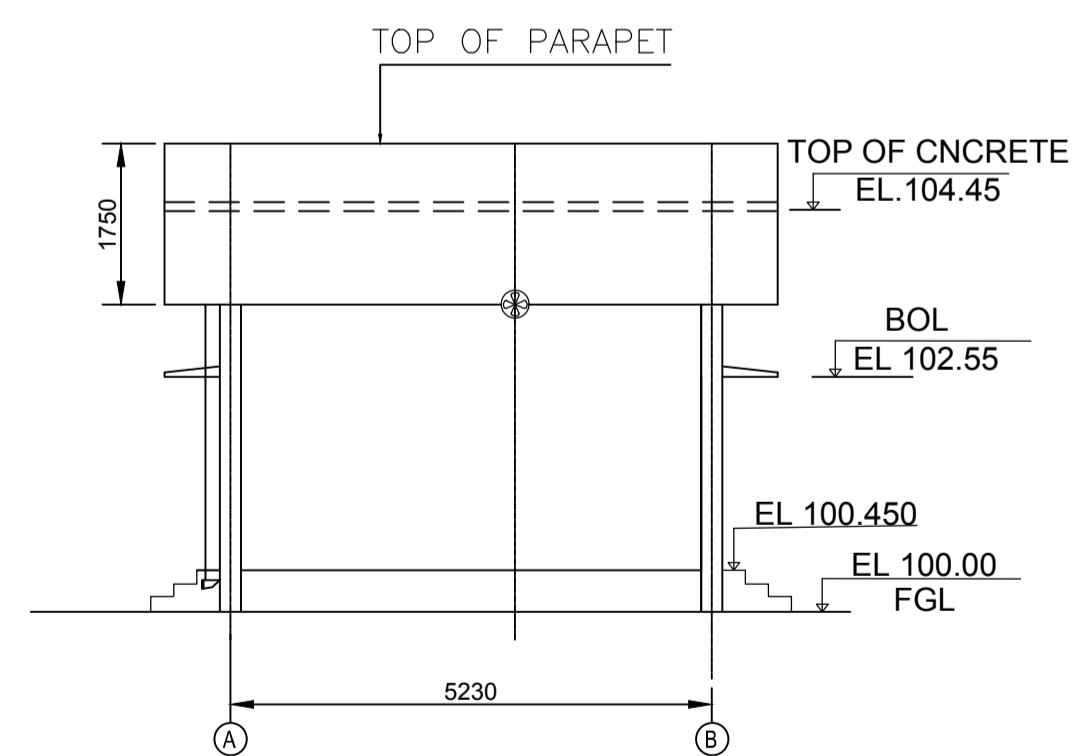
PLAN



FRONT ELEVATION



ELEVATION ON GRID -(7)



ELEVATION ON GRID -(1)

REFERENCE DRAWING

S.NO.	DRAWING/DOCUMENT NAME	DRAWING/DOCUMENT NO.

NOTES:-

- ALL DIMENSIONS ARE IN MILLIMETRES AND LEVELS ARE IN METERS.
- FOLLOW WRITTEN DIMENSION ONLY DO NOT SCALE THE DRAWING.
- FINISHED GROUND LEVEL (FGL): e EL. 100.00 SHALL BE 300mm ABOVE THE CENTER LINE OF NEAREST ASPHALTED ROAD OR HFL WHICHEVER IS HIGHER.
- ALL ELECTRICAL CONDUITS SHALL BE CONCEALED TYPE EXCEPT IN AREAS WHERE FALSE CEILING IS PROVIDED CONDUITS SHALL BE LAID BEFORE CONCRETING AS PER ELECTRICAL DRAWING.
- B/W AND PLASTERING SHALL BE AS PER SPECIFICATION AND DESIGN BASIS DOCUMENT
 - ORDINARY PLAIN PLASTER SHALL CONSIST OF 18mm THK. 1:6 CEMENT MORTAR
 - 12mm THK. 1:6 CEMENT MORTAR FOR ALL PLUMB OF THE INTERNAL MASONRY WALLS & RCC COLUMNS COMING IN LINE (FLUSH) WITH THIS SIDE OF WALL
 - 6mm THK. 1:4 CEMENT MORTAR FOR ALL RCC CEILING BEAM etc. HOWEVER IF THE UNDULATION IN CEILING IS BEYOND 6mm THK. PLASTER EXTRA THICKNESS OF PLASTER SHALL BE APPLIED.
- ALL CHAJJAS, CANOPIES AND GUTTER PROJECTION SHALL HAVE DRIP MOULD GROOVES UNDERNEATH ALL ALONG PERIPHERY.
- ALL THE BRICK MASONRY AND RCC JOINTS SHALL BE PROVIDED WITH 20 GAUGE CHICKEN WIRE MESH STRETCHED TIGHT AND FIXED WITH G.I. "U" TYPE NAILS BEFORE PLASTERING.
- CONTROL ROOM SHALL BE DESIGNED SUCH THAT IT SHALL HAVE PROVISION FOR ONE ADDITIONAL FLOOR FOR FUTURE AND ADEQUATE REINFORCEMENT DOWELS SHALL BE LEFT ON EACH COLUMNS EMBEDDED WITH C.C. (1:5:10).
- FLOOR FINISHED, DADOES, PAINTS, DOORS, WINDOW, ELECTRICAL FIXTURES, SANITARY & TOILET FIXTURES SHALL BE AS PER RESPECTIVE SCHEDULES/SPECS.
- COLOR SCHEMES SHALL BE DECIDED BY OWNER / OWNER'S REPRESENTATIVES.

LEGEND

- | | |
|--------------------------|-------------------------------|
| 1. FC - FALSE CEILING | 2. BOB - BOTTOM OF BEAM |
| 3. AC - AIR CONDITIONED | 4. FFL - FINISHED FLOOR LEVEL |
| 5. TOS - TOP OF SLAB | 6. BOL - BOTTOM OF LINTEL |
| 7. TOC - TOP OF CONCRETE | 8. RTL - ROAD TOP LEVEL |

NO	DATE	ISSUED FOR TENDER	SS	HM	HM
0	14.02.2019	ISSUED FOR TENDER	SS	HM	HM
NO	DATE	REVISION	PREPD	CHKD	APPD

CLIENT



GAIL (INDIA) LIMITED

CONSULTANT



LYONS ENGINEERING PVT. LTD.
NEW DELHI

TITLE **TYP. ARCHITECTURAL DRAWING FOR CONTROL BUILDING**

SCALE	SIZE	DRAWING NUMBER	SHEET	REV
1:80	A 1	GAIL-STD-CV-DWG-TP-025	1 OF 1	0



GAIL INDIA LIMITED

**CONSTRUCTION OF STEEL PIPELINE AND ASSOCIATED FACILITIES
FOR CGD CONNECTIVITIES**

VOLUME II OF II (TECHNICAL) – F



CATHODIC PROTECTION

E-TENDER REF : 8000017675

(BID DOCUMENT NO - 034/LEPL/GAIL/27-R0)



Lyons Engineering Pvt. Ltd.

	DCI - MASTER DELIVERABLE CONTROL INDEX FOR CONSTRUCTION OF STEEL PIPELINE AND ASSOCIATED FACILITIES FOR CGD TO M/S BPCL SAHARANPUR, CGD TO M/S THINK GAS MACCHIWARA(LUDHIANA), CGD TO M/S BPCL YAMUNANAGAR, & CGD TO M/S IGL FATEHPUR	Doc No.		CLIENT: 
		GAIL-ENG-GN-DOC-DL-001		
		Rev. 0		
Sr. No.	Description	Document / Drawing No.		Rev. No.
TECHNICAL VOLUME - II OF II				
F CATHODIC PROTECTION				
1	Cathodic Protection Design Basis	GAIL-STD-CP-DOC-DB-001		0
SPECIFICATION FOR CATHODIC PROTECTION				
2	Technical Specification for Temporary Cathodic Protection(TCP) and Permanent Cathodic Protection (PCP)	GAIL-STD-CP-DOC-TS-001		0
DATA SHEET FOR CATHODIC PROTECTION				
3	Data Sheet for Cathodic Protection System	GAIL-STD-CP-DOC-DS-001		0
QAP FOR CATHODIC PROTECTION				
4	QAP for Cathodic Protection System	GAIL-STD-CP-DOC-QAP-001		0
STANDARD / TYPICAL DRAWINGS FOR CATHODIC PROTECTION				
5	Standard Drawing for Cathodic Protection	GAIL-STD-CP-DWG-TP-001 TO 011		0



GAIL INDIA LIMITED



CATHODIC PROTECTION DESIGN BASIS

TOTAL SHEETS

08

DOCUMENT NO.:

GAIL-STD-CP-DOC-DB-001

REV	DATE	DESCRIPTION	PREP	CHK	APPR
0	01.12.2020	ISSUED FOR BID	SR	SB	SB

1.0 INTRODUCTION :

The purpose of this document is to define the basic design concepts and philosophies as required for the Cathodic Protection system [TCP] & [PCP] and equipment of the GAIL intend to take up implementation of a 4" natural gas pipeline as mentioned in SOR / Pipeline Schematics etc.

The cathodic protection system shall be provided as required. Insulating flanges shall be provided as required to isolate above ground piping systems from buried pipelines and to sectionalize. In general, the system will be based on the " impressed current" principle for all pipe lines. The sacrificial anode Principle can be applied for small sections of pipelines, remote from electric Facilities.

2.0 PIPELINE DETAILS:

2.1 The indicative Pipeline details are:

- Line Size : 4" NB
- Line Length : As per SOR or Schematic diagram
- Class : 600 #
- Design Pressure : 92.0 Bar (g)
- Material of Pipe : API 5L Gr. X42 PSL2 or higher
- Coating Material : 3 LPE
- Wall Thickness : 6.4 mm API 5L X42 PSL2

3.0. Cathodic Protection System:

It is envisaged to provide cathodic protection to the externally coated carbon steel pipeline from ravages of soil side corrosion in following two steps:

3.1 Temporary Cathodic Protection [TCP]:

Using sacrificial [Mg or Zn] anodes pre-packed in back-fill for the design life of the TCP system shall be (2) years or till PCP commissioning whichever is earlier.

3.2 Permanent Cathodic Protection System [P-C-P]:

Impressed current Cathodic Protection [ICCP] System Using Mixed Metal Oxide [MMO] anodes [LIDA single] in specified carbonaceous back-fill, for a design life of Forty (40) years and Powered by AC Input and DC Output Transformer Rectifiers or DC input and DC output CPPSM.

4.0 Codes & Standards & Recommended Practices:

4.1 Latest edition of:

- Bureau of Indian Standards [BIS]
- National Association Of Corrosion Engineers [NACE]
- British Standard [BS]
- American Petroleum Institute [API]
- Indian Electricity Rules [IER]
- Indian Petroleum Rules [IPR] Safe Practices

	CATHODIC PROTECTION DESIGN BASIS	Document No.	Rev
		GAIL-STD-CP-DOC-DB-001	0
		Page 2 of 7 990 of 1517	

Institute of Electronics & Electrical Engineers [IEEE]
 Indian Electricity Act [IEA]
 National Fire Protection Agency [NFPA]
 Chief Controller of Explosives [CCE] Regulations
 Oil Industry Safety Directorate [OISD] Norms
 PNGRB Regulations

4.2 In case of conflict the most stringent will apply. However, the order of priority will be :

Statutory Rules
 Project Specifications
 Codes & Recommended Practices

5.0. Site Conditions:

The equipment to be used for this project shall conform to following site Requirements / Conditions:

- ❖ Temperature - Maximum 60°C & Minimum -20°C
- ❖ Design Temperature - 65°C
- ❖ Relative Humidity - 100%
- ❖ Altitude Above Sea Level - Less ≤ 1,000M
- ❖ Atmospheric Pollution - Tropicalized to Withstand the site Conditions, dust, vapor etc.
- ❖ Hazardous Area Classification - Zone2, Gas Gr.IIA & IIB
Temperature Class T3
- ❖ Battery, TRU room - Safe Area(If applicable)

6.0 Hazardous Area Classification & Equipment Classification:

All Electrical equipment installed in Hazardous area will be in accordance with API 500, BIS 5571, 5572, & OISD 149.

6.1 Flame Proof equipment shall be CMRI or Owner Approved Agency Certified.

7.0 Design Life & Basis:

- 7.1 Design Life of [TCP] system to be two (2) years or till commissioning of [P-C-P] whichever is earlier.
- 7.2 Design Life of [PCP] system to be forty (40) Years. Soil/Water Chemical & Microbial Analysis.

8. Electrical Equipment:

Following equipment are envisaged for this project:

Equipment required in both [TCP] & [PCP] are to be designed and installed during [TCP] installation.

	CATHODIC PROTECTION DESIGN BASIS	Document No.	Rev
		GAIL-STD-CP-DOC-DB-001	0
Page 3 of 7 991 of 1517			

CATHODIC PROTECTION DESIGN BASIS

S.No.	[TCP]	[PCP]	Remarks
1	Sacrificial [Mg or Zn] Anode pre-packed in Back-fill	MMO [LIDA Single] Anodes in Carbonaceous back-fill & Cable	
2	Test Lead Points[TLP] with shunt & resistors	Junction Boxes [JB],[AJB],[CJB]	IP55 Enclosure
3	Corrosion Coupons with Magnetic Reed switch & Copper Sulphate Reference electrode	AC Input & DC Output Transformer Rectifier Unit [TRU]	IP55 Enclosure
4	Surge Diverters at Insulation Mono blocks		
5	Permanent Copper Copper Sulphate Reference Electrode	Earthing for TRU And Distribution Board	
6	Pipe to Cable connection –Pin Brazing, Epoxy Encapsulated		
7	Solid State DC De-coupling device		
8	Grounding cell for H.T. overhead Lines		
9	Zn or Mg Anode Grounding for MOV/SV	ER Probes for corrosion monitoring	
10		[P-S-P] Converter	To Be Installed away from CP Stations, in Instrumentation Panel
11	Coated Casing Protection with Sacrificial anodes		Separate from [ICCP] more than 10M
12	Carrier Inside Casing Protection with Ribbon Anodes		Additional Carrier Protection inside casing more than 20M

9.0 Cathodic Protection Criteria :

- 1) [P-S-P] Minimum (-) 0.95 V "On" and Maximum (-) 1.5 V "On" both "On" potentials w.r.t. CSE
- 2) [P-S-P] Minimum (-) 0.95 V "Off" and Maximum (-) 1.2 V "Off" both "Off" potentials w.r.t. CSE, the maximum remaining the same (-) 1.5 V "On" w.r.t. CSE
- 3) Corrosion Coupons [P-S-P] "Off" Minimum (-).95 V and Maximum (-)1.2V "Off" w.r.t. CSE
- 4) In exceptional circumstances a swing of 100mV in Polarization potential may also be acceptable with Sole discretion of Owner.

10.0 Protective Current Density :

For the 3 layer polyethylene [3XLPE] coated pipeline following protective current density to be used:

	Marshy Soil	Normal Soil
For TCP & PCP	- 125 μ A/M ²	50 μ A/M ²

11.0 PERMANENT REFERENCE ELECTRODE :

- 11.1 In Soil – copper copper sulphate electrode will be provided.
- 11.2 Three (3) numbers to be installed, at each CP Station.

	CATHODIC PROTECTION DESIGN BASIS	Document No.	Rev
		GAIL-STD-CP-DOC-DB-001	0
		Page 4 of 7 992 of 1517	

CATHODIC PROTECTION DESIGN BASIS

- 11.3 One (1) number to be installed ,midway between two CP Stations, if one (1) C.P station install one CSE (PSM) at other end.
- 11.4 To be installed at extremely vulnerable locations.
- 11.5 In water –silver silver chloride [Ag-AgCl] Reference to be installed / Used.

12.0 Insulation mono block joints (I/J) :

I/J Numbers will be provided between under ground pipe and above ground pipe to sectionalize electrically the protected and unprotected pipe.

13.0 SPARK GAP ARRESTOR :

- 13.1 To be installed at every insulation mono block joint for grounding surges, if any.

14.0 POLARIZATION CELLS – SOLID STATE TYPE :

- 14.1 To mitigate A.C. Interference, solid state type Polarization Cells to be installed at as required for A.C. interference mitigation in the section where interference is detected.

15.0 TR UNITS :

- 15.1 TR unit will receive power from the AC feeder or Battery Back-up (available from UPS).

16.0 OPERATING REQUIREMENTS :

- 16.1 UPS Power supply:

Voltage	-	230V \pm 1%
Frequency	-	50 Hz \pm 5%
Phase & Wire	-	1P, N & 2W
Fault level	-	10KA for 1 sec
Neutral Earthing	-	Solidly earthed

- 16.2 Transformer Rectifier unit:

- 16.3 Output

Voltage	-	50V/25 V \pm 10% DC
Current	-	50A/25A \pm 10% DC

- 16.4 Alternative Input DC From UPS System [when AC Trips]

- 16.5 Any other control supply if required,will be arranged by the contractor as per equipment requirement.

- 16.6 TR unit will be capable of giving online data to SCADA system with-in built current interrupter and potential free contacts. The TR should have inbuilt GPS current interrupter and GPS antenna for time synchronization. TR units are to be integrated with SCADA system.

- 16.7 TR unit will be weather proof enclosure ,with hinged lockable shutter and degree of protection IP-55 .

	CATHODIC PROTECTION DESIGN BASIS	Document No.	Rev
		GAIL-STD-CP-DOC-DB-001	0
		Page 5 of 7 993 of 1517	

17 CASING PROTECTION :

- 17.1 All the casing Annulus shall be filled with Bentonite + sand mixture or Paraffin wax or Petroleum jelly to control ingress of moisture in the annulus . This will not apply to casing under Railways.
- 17.2 Only For casing longer than 20 M,Carrier inside Casing shall be provided Additional cathodic protection with Ribbon anodes.

18 CABLE CONNECTION TO PIPE :

- 18.1 Cable will be connected on pipe by carrying out pin brazing with low contact resistance. At every location at least two cable from pipe to be pin brazed & brought to [TLP].

19 SPECIAL REQUIREMENT :

- 19.1 Permanent Anode Bed will be deep well type(only if ROU for locating deep well anodebed 100 m away is not available) or alternatively the land 100 m away from ROW.Land required for deep well anodebed shall be provided by GAIL. The area of anodebed will be fenced with single gate.The area required will be sufficient for C P installation & checking the facilities at each anodebed location and will not be less than 8 m x 8m in size.

CP contractor will also arrange permission from owner of the land for use by GAIL,for laying anode head cable from Anodebed to TRU at CP station and right to access to this,as and when required,for O&M purposes.

- 19.2 PSP converter and reference CSE will be provided at all location wherever SCADA , RTU available.

20.0 Computerized Test Station Unit [CTSU] :

CTSU(04 Nos) data logger with built in non volatile memory for logging min 45000 data reading and inbuilt battery capable of functioning one year at the logging & broadcasting rate of one SMS per day on the internal battery without changing/charging. Computerized Test Station Unit [CTSU] (alongwith Reader Unit) to be supplied and CSE Permanent type to be installed at all CTSU.

Maximum 4 nos. of CTSU to be installed in the pipeline section.

21.0 Corrosion Coupons :

Made from pipe material to be installed at two (2) locations along ROW.Magntic reed switch to be installed in circuit for "Off" Potential measurements.

22.0 Test Station [TLP] & Junction Boxes [JB] :

Test station to be installed approx. every 1 Km. maximum all along the pipeline ROW.These [TLP] to be provided with Shunt & Resistors for individual Anode current output control.All [TLP] to have IP 55 Protection and are to be installed at accessible locations along ROW to facilitate CP System adequacy Monitoring.[TLP] to be installed at Rail,River,Canal,Road,Overhead High Tension Transmission Power lines,Pipeline and other line/cable crossings as well as Insulation

	CATHODIC PROTECTION DESIGN BASIS	Document No.	Rev
		GAIL-STD-CP-DOC-DB-001	0
		Page 6 of 7 994 of 1517	

CATHODIC PROTECTION DESIGN BASIS

Joints. Accordingly [TLP] to be named Type A,B,C,D,E,F etc. Minimum two(2) nos. Line current Measurement [TLP] to be installed.

CTSU to be installed in [TLP], wherever [P-S-P] convertor is to be installed and no C P Station is nearby, it will be installed inside of Instrument panel. [AJB] & [CJB] having IP 55 Protection to be installed at each [ICCP] CP Station.

23.0 Post Commissioning Surveys :

To be conducted after one month of CP Commissioning. Pearson Survey, Coating Conductance survey, CAT Survey, DCVG Survey, Close Interval Computerized Potential Logging [CIPL] ["On" & "Off"] and AC,DC Interference survey with 24hours data logging at obstacle crossing & Mitigation.

Any defects or in-adequacy detected during post commissioning surveys should be rectified by CP contractor to handover Interference free adequately protected pipeline to GAIL.

24.0 Periodic Monitoring Of Installed C P System :

The Installed C P System will be periodically Monitored for Protection Adequacy & Methodology of Monitoring & Formats & frequency for Monitored data Recording to be prepared by C P Contractor.

Periodic Monitoring of installed CP system, coating repair shall be in EPC scope in consultation with CP agency.

	CATHODIC PROTECTION DESIGN BASIS	Document No.	Rev
		GAIL-STD-CP-DOC-DB-001	0
		Page 7 of 7 995 of 1517	



GAIL INDIA LIMITED



TECHNICAL SPECIFICATION FOR TEMPORARY CATHODIC PROTECTION (TCP) AND PERMANENT CATHODIC PROTECTION (PCP)

TOTAL SHEETS

46

DOCUMENT NO.:

GAIL-STD-CP-DOC-TS-001

REV	DATE	DESCRIPTION	PREP	CHK	APPR
0	20.11.2019	ISSUED FOR BID	SR	SB	SB

TABLE OF CONTENTS

SI. No.	DESCRIPTION
1.	INTRODUCTION
2	CORROSION SURVEY DATA
3	ADDITIONAL DATA TO BE COLLECTED
4	CATHODIC PROTECTION DESIGN PARAMETERS
5	CATHODIC PROTECTION DESIGN CRITERIA.
6	SYSTEM DETAILS
7	ANODE GROUND BEDS
8	ANODES
9	PETROLEUM COKE BREEZE
10	AC OPERATED AUTO/MANUAL TRANSFORMER RECTIFIER UNIT [
11	REFERENCE ELECTRODE [CuCuSO4] PERMANENT TYPE
12	TEST STATIONS [TLP]
13	SURGE DIVERTER, GROUNDING CELL AND POLARISATION CELL
14	CP AT CASED CROSSING
15	PAINTING
17	CABLES
18	CIVIL WORKS
19	TESTING AND INSPECTION AT WORKS
20	PACKING AND TRANSPORTATION
21	SYSTEM TESTING, COMMISSIONING AND INTERFERENCE MITIGATION
22	SYSTEM MONITORING
23	DRAWINGS AND DOCUMENTS
24	INSTRUMENTS, TOOLS AND SPARES
25	INFORMATION REQUIRED WITH THE BID
26	APPROVED MAKE OF EQUIPMENT / COMPONENTS FOR CP SYSTEM
27.	ANNEXURES



**TECHNICAL SPECIFICATION
FOR TCP & PCP**

Document No.

Rev

GAIL-STD-CP-DOC-TS-001

0

SHEET 2 of 46

1. INTRODUCTION

It is envisaged to protect the external surface of by Cathodic Protection [CP] System: Temporary CP System [TCP] using sacrificial [Mg or Zn] Anodes for an initial One (1) year construction period, followed by Jumper connection from existing pipeline ICCP or Impressed Current Cathodic Protection [ICCP] system [PCP] using [MMO] Anodes & external Power source [AC Input DC Output TRU at Receipt Terminal or 24V DC input and DC output CPPSM at SV1] for a Design Life of forty (40) years.

- 1.1 This specification defines the requirements of site surveys for design data generation, CP design, detailed engineering, supply of materials, quality assurance (QA) and quality control (QC), installation, testing and pre-commissioning, commissioning of temporary Cathodic protection system [TCP] and permanent Cathodic protection system [PCP] for protecting throughout the design life [1+40 years] the external surface of cross-country 3LPE coated underground pipeline including detection of A.C & D.C. interference / interaction with neighbouring structures all along the pipeline ROW, as well as Installation of requisite Mitigative measures for the [A.C/D.C.] interaction / Interference mitigation. Also included in the scope of work are post-commissioning surveys such as CIPL ("On" & "Off") computerized logging along ROW and Coating conductance measurements along the pipeline ROW, Pearson detection followed by DCVG [for defect classification] at defect locations evinced .
- 1.2 This specification defines the basic guidelines to develop a suitable temporary Cathodic protection [TCP] system followed by permanent [PCP] Cathodic protection [ICCP] system for the underground pipeline [external surface coated with 3LPE required to be protected from ravages of soil side corrosion. All data required in this regard including site surveys to verify the design data shall be taken into consideration by the CP contractor to develop an acceptable state of the art [TCP],[PCP] design and for proper engineering & detailing of the [TCP],[PCP] systems.
- 1.3. Compliance with these specifications and/or approval of any of the contractor's documents shall in no case relieve the contractor of his contractual obligations of providing adequate Cathodic protection [TCP],[PCP] system suitable for desired number of service [1+40] years free of interference.
- 1.4. Activities of permanent [PCP] system which are common to temporary [TCP] system shall be completed as part of temporary [TCP] system. The facilities installed for [TCP], if useful & required in [PCP] system (such as TLP, permanent Reference CSE electrodes, Cable to Pipe connection, Corrosion coupons, etc.) shall be utilized for [PCP] also & hence are to be designed & installed as per [PCP] requirements.
- 1.5 All works to be performed and supplies to be effected as part of this contract shall require specific approval of owner or his authorised representative. Major activities requiring approval shall include, but not be limited to, the following:

	TECHNICAL SPECIFICATION FOR TCP & PCP	Document No.	Rev
		GAIL-STD-CP-DOC-TS-001	0
		SHEET 3 of 46	

- a) Methodology of **Corrosion survey site data generation** and interpretation report and design basis for [TCP],[PCP] system.
- b) **CP System design package** including formulae used, design calculations, BOQ, Technical Specifications, Installation work procedure, and Post Commissioning Monitoring Methodology, Data Recording Formats etc.
- c) Quality Assurance Control [QA/QC] methodology.
- d) Procedure for field testing and commissioning.
- e) Procedures for A.C and D.C. interference testing and mitigation.
- f) Procedure for Post Commissioning surveys.
- g) As-Built Documentation.
- h) O&M Manual.

1.6. The Intending Bidder shall be deemed to have visited the Site pipeline ROW and Familiarized before Submitting the tender. **Non familiarity with site conditions will not be accepted as a reason either for extra claims or for not carrying out the work in total conformity with these tender specifications.**

1.7. The CP contractor will have to accordingly mobilize work and deploy adequate skilled & trained manpower conversant with work procedure, adequate number of tools, tackles, testing and Construction Equipments requisite for smooth work progress so that CP work could also be completed within Schedule specified for the project. The CP contractor shall work in close coordination with the main pipeline contractor.

1.8 **TECHNICAL DATA - MAINLINE**

1.8.1 The indicative Pipeline details shall be as mentioned in design basis.

1.8.2. The system design, performance and materials to be supplied shall unless otherwise specified, conform to the requirements of latest relevant applicable standards:

- ❖ BIS Standards
- ❖ BS Standards and codes of practice
- ❖ ANSI Standards
- ❖ NFPA Standards
- ❖ NACE Standards and Recommended practices
- ❖ IEC Standards
- ❖ DNV Standards
- ❖ IEEE Standards
- ❖ DIN Standards
- ❖ ASTM Standards



**TECHNICAL SPECIFICATION
FOR TCP & PCP**

Document No.	Rev
GAIL-STD-CP-DOC-TS-001	0
SHEET 4 of 46	

- ❖ OISD Standards & CCE Norms
- ❖ API Model code of safe practices
- ❖ GAIL Safety Standards
- ❖ All statutory, state, local requirements and norms
[All latest available editions only.]

In case of conflicting requirements amongst any of the above standards, the publication having most stringent requirement shall be governing. However, the priority in such instance shall be as follows:

- Statutory Regulations and norms
- This Specification
- Codes & Standards, Recommended practices

2. CORROSION SURVEY DATA

Corrosion Survey Data collected already from site [pipeline ROW & Anodebed locations] viz: **Soil Resistivity, Soil Chemical analysis for chemical and microbial loading** is enclosed:

- i. Soil Chemical Analysis - As per Annexure-1.
- ii. Soil Resistivity - As per Annexure-2.

However, verification of its veracity and Adequacy shall be the entire responsibility of the CP contractor.

In addition the CP contractor shall have to generate/collect additional Data from site such as:

The CP contractor shall carry out a site survey along pipeline ROW and at proposed Anode bed locations, in order to verify design data, prior to the final design of the [TCP], [PCP] system. The site survey shall generally include the following:

General information [Topographic] of terrain along which the pipeline is to be routed.

Measurement of soil resistivity [ρ] along ROW and at Anode bed plots. Each selected Anode bed plot shall be sub-divided into sub-plots. Size of the sub-plots shall depend upon investigation of soil resistivity upto requisite depth. Each of these sub-plots shall be investigated individually. Sufficient observations at each of these plots shall be recoded as recommended hereunder:

- 1) Soil Resistivity at every 2 Kms along ROW to be carried out at 1,2,3 M depths. Wherever, abrupt changes are observed additional readings to be recorded in between.
- 2) Soil Resistivity at Anode-bed plots to be recorded at 1,3,5,7M for shallow Anode beds and 1,3,5,7,10,15,20,25,30,35,40... M for Deep well Anode beds.



TECHNICAL SPECIFICATION FOR TCP & PCP

Document No.

GAIL-STD-CP-DOC-TS-001

SHEET 5 of 46

Rev

0

Chemical Analysis of Soil / Water samples collected from two depths [1.0M] and [2.0M] of pipeline ROW at every 5 Kms. and at each intersection of a grid from sub-plots for each anode beds location. The air dried soil samples to be quartered, coned and aqueous extract prepared for chemical and microbial analysis of following:

S. No.	Sample from Locations Kms.	0	0	5	5		
1	Depth in M	1	3	1	3		
2	pH						
3	Redox Potential V						
4	Total Dissolved Solids ppm						
5	Chloride ppm						
6	Sulphate ppm						
7	Sulphide ppm						
8	Carbonate ppm						
9	Bi-carbonate ppm						
10	Nitrate ppm						
11	Nitrite ppm						
12	Phosphate ppm						
13	Sodium ppm						
14	Potassium ppm						
15	Calcium ppm						
16	Magnesium ppm						
17	Sulphate Reducing Bacteria (SRB) Counts						

	TECHNICAL SPECIFICATION FOR TCP & PCP	Document No.	Rev
		GAIL-STD-CP-DOC-TS-001	0
		SHEET 6 of 46	

This data to be used for calculating soil/water corrosivity based on which and clause 5.1 of this specification, the protective current density and Anode material shall be selected/decided.

Stray Current Survey:

Survey for investigating possible sources of stray currents along ROW so that requisite Mitigative measures are included in the CP design. The CP contractor carrying out CP Interference survey due to DC current will have to get necessary permissions from other utilities such as underground pipelines of ONGC, IOCL, HPCL, BPCL, GAIL, etc., over ground water pipeline running parallel on concrete pedestal, and DC rail traction etc. so that composite studies for interference detection are done and recommended Mitigative measures are installed. At the time of handing over the interference free system to owners (GAIL), the contractor will hand over these permissions of other utility owners, for further needful by GAIL.

Where a site survey is not possible the C P contractor shall ensure that requisite data is available for him to fulfil requirements of the work order.

Survey for knowing the location of **Existing Cathodic Protection system** to maintain appropriate clearance between the existing and upcoming C P Systems. CP contractor, prior to CP Design for, shall carry out extensive site surveys and attenuation calculations and data collection, from pipeline ROW and proposed Anode bed locations. Likely interfering elements along ROW, survey for sources of stray currents likely to cause interference, and shall base the CP System Design on this Data collected from site.

Ground Water Table Data to be collected either from GSI [Geological Survey of India] by CP contractor or measured at site to ensure Anode bed location in appropriate perennially moist environment round the year throughout service life.

In addition contractor shall have to collect/ generate additional Data as required for completeness of the C P job for GAIL as follows:

3.0 ADDITIONAL DATA TO BE COLLECTED

The following data shall be collected to generate design data for evaluation of interaction/ interference possibilities due to presence of other services in ROW/ in close vicinity:

- i. Route and types of foreign service/pipeline in and around or crossing the right of way (including those existing and those which are likely to come up during contract execution or any abandoned pipelines).



TECHNICAL SPECIFICATION FOR TCP & PCP

Document No.

GAIL-STD-CP-DOC-TS-001

SHEET 7 of 46

Rev

0

- ii. Diameter, wall thickness, pressure, pipeline coating against corrosion, soil cover used in case of pipelines.
- iii. Details of the existing pipeline Cathodic protection systems protecting the services i.e. location, rating, type of protection, anode beds, test station locations and their connection schemes.
- iv. Graphical representation of existing structure/pipe-to-soil potential [P-S-P] records, T/R unit current/ voltage input/output ratings, present current/Potential Input/Output Data etc for the existing pipelines.
- v. Remedial measures existing on foreign pipeline/ services to prevent interaction.
- vi. Possibility of integration/ isolation of existing CP systems, which may involve negotiations with owners of other existing pipeline services.
- vii. Crossing and parallel running of electrified and non-electrified traction (along with information regarding operating voltage, type AC/DC etc.) as well as abandoned tracks near ROW having electrical continuity with the tracks in use.
- viii. Crossing or parallel running of any HT AC/DC overhead line (existing/proposed) along with details of distance from pipeline, voltage, type AC/DC, distance from pipeline of earthing of towers etc.
- ix. Voltage rating, number of cores and sheathing details of underground power cables, along ROW or in it's vicinity.
- x. Information on existing and proposed DC/AC power sources and system having earth as return path, in the vicinity of the entire pipeline route such as HV DC sub stations, fabrication yards with electric welding etc.
- xi. Any other relevant information that may be needed in designing and implementing proper protection scheme for the proposed pipeline.

Unless otherwise mentioned, CP contractor shall conduct necessary potential gradient survey for any existing anode ground bed that may interfere with the CP system of the pipeline covered under this project.



**TECHNICAL SPECIFICATION
FOR TCP & PCP**

Document No.	Rev
GAIL-STD-CP-DOC-TS-001	0
SHEET 8 of 46	

CP DESIGN REPORT

On completion of all field work a composite report incorporating all the results generated from site surveys for data generation and details of additional data collected and complied with in the attached Compliance Report format clause wise as above shall be furnished to owner for Approval. The report shall also contain detailed interpretation of survey results and resistivity data enclosed, probable interference prone areas etc. to form design basis for the scheme of Cathodic protection [TCP] & [PCP] system. This report shall also include various drawings prepared in connection with the above work. The soil resistivity values shall be plotted on semi-log graph sheets and in Histograms. Log mean resistivity values to be calculated and used for the Design of CP system.

The Cathodic Protection Design of [TCP] and [PCP] systems should be part of this composite Report. The Bill Of Materials [B.O.M.], Technical Specifications, Vendor list [from listed herein] etc. will be included in this Report for Approval of Owner. The Drawings for Owners Approval shall be part of this composite report.

4. CATHODIC PROTECTION DESIGN PARAMETERS

Unless expressly varied and otherwise specified in the project specifications, following parameters shall be used for design of temporary Cathodic protection [TCP] system and permanent Cathodic protection [PCP] system.

4.1 Those parts of sacrificial anode Cathodic protection [TCP] system which will be integrated with permanent CP system [PCP] such as Reference Cu-CuSO₄ electrodes, Test Lead Points, Junction Boxes, Thermit welds epoxy encapsulation, Markers, Polarization coupons etc. shall be designed based on permanent CP parameters.

4.2. PROTECTION CURRENT DENSITY

Pipelines having polyethylene coating.

Pipeline surrounding	Protection Current density *	
	Temporary CP ($\mu\text{A}/\text{m}^2$)	Permanent CP ($\mu\text{A}/\text{m}^2$)
Normal soil	35	35
Marshy area	45	45
High resistivity area (more than 100 Ωm)	-	-



TECHNICAL SPECIFICATION
FOR TCP & PCP

Document No.

GAIL-STD-CP-DOC-TS-001

SHEET 9 of 46

Rev

0

However, the Protective Current Density to be chosen at site as per measured Environmental conditions obtained as per Detailed Chemical & Microbial Analysis and presence or absence of interfering elements in close vicinity of GAIL pipeline ROW.

Pipe to soil potential shall not be more negative than (-) 1.5V (“ON”) or (-) 1.18V (“Off”) w.r.t. Cu-CuSO₄ Reference electrode.

*Actual current density to be adopted shall be decided based upon soil/water corrosivity and other environmental conditions, proximity of foreign pipelines and structures resulting in interference. Where considered necessary for satisfactory protection of pipeline the current density shall be suitably increased by contractor with appropriate justifications.

4.3. OTHER PARAMETERS FOR DESIGN

Other parameters to be considered for [TCP] and [PCP] design:

- 4.3.1. Safety Factor for Current Density : 1.3
- 4.3.2. Anode Utilization Factor : 0.85 for centre connected Anode
: 0.5 for Ribbon Anode
- 4.3.3. Pipeline natural potential (-) 0.45V [as measured from existing /upcoming structure in the same soil matrix].
- 4.3.4. Unless otherwise specified in project specification the design life of the TCP system shall be (2) years or till PCP commissioning whichever is earlier and that of [PCP] permanent CP shall be (40) Forty years.
- 4.3.5. Along the ROW where soil resistivity is higher than 100 Ω m temporary CP for the pipeline may not be necessary subject to Owner’s Approval.
- 4.3.6. Steel Resistivity 2.2 X 10⁻⁷Ω M
- 4.3.7. Maximum Loop Resistance 1 Ω

5. CATHODIC PROTECTION DESIGN CRITERIA

Cathodic protection system shall be designed to meet the following criteria.

5.1 TEMPORARY CATHODIC PROTECTION [TCP]

5.2. The pipe to soil potential measurements shall be between -0.95V (“On”) and -1.5V (“On”) both “On” Potentials w.r.t. Cu-CuSO₄ reference electrode. In case sulphate reducing bacteria [SRB] are present in soil the minimum protective potential shall be (-) 0.95V (“On”), the maximum remaining the same (-) 1.5V (“On”) w.r.t. Cu-CuSO₄ reference electrode. At the location of Polarization coupons, the coupon to soil potential measurement shall be between (-) 0.95 (“Off”) minimum and (-) 1.18 V(“Off”) maximum w.r.t. CuCuSO₄ reference electrodes, both being “Off” potential. During [TCP] monitoring using Reed Magnetic switch “Off” potentials to be recorded.

	TECHNICAL SPECIFICATION FOR TCP & PCP	Document No.	Rev
		GAIL-STD-CP-DOC-TS-001	0
		SHEET 10 of 46	

5.3. In rare circumstances a minimum polarisation shift of (-) 100 millivolts w.r.t. Cu-CuSO₄ reference electrode shall indicate adequate levels of cathodic protection for the pipeline.

Discretion to use any of the criteria, listed above, shall solely rest with the Owner/ Owner's representative.

5.4. A positive potential swing of >20 mV [P-S-P] shall be considered as the criteria for presence of an interaction situation requiring investigation and incorporation of suitable mitigation measures by the C P Contractor.

PERMANENT CATHODIC PROTECTION [P C P]

5.5. The pipe to soil potential measurements [PSP] shall be between (-) 0.95V ("Off") minimum and (-) 1.18V ("Off") maximum [both "Off" Potentials] w.r.t. Cu-CuSO₄ reference electrode, the maximum remaining the same (-) 1.5V ("On") w.r.t. Cu-CuSO₄ reference electrode. At the location of Polarization coupons, the coupon to soil potential measurement shall be between (-) 0.95 ("Off") minimum and (-) 1.18 V ("Off") maximum w.r.t. CuCuSO₄ reference electrodes [both being "Off" potential].

5.6. In rare circumstances a minimum polarisation shift of (-) 100 millivolts w.r.t. Cu-CuSO₄ reference electrode shall indicate adequate levels of Cathodic protection for the pipeline.

Discretion to use any of the criteria, listed above, shall solely rest with the Owner/ Owner's representative.

5.7. A positive potential swing of >20 mV [P-S-P] shall be considered as the criteria for presence of an interaction situation requiring investigation and incorporation of suitable mitigation measures by the C P Contractor.

6. SYSTEM DETAILS

6.1 Temporary Cathodic Protection [TCP]

The [TCP] system unless specified otherwise, may include the following major equipment/ sub-systems.

- Sacrificial anodes [Zn or Mg] ground beds in carbonaceous back-fill
- Test stations [TLP]
- Junction Boxes with shunts and resistors [AJB] & [CJB]
- Permanent Reference Cu-CuSO₄ Electrodes [CSE]
- Pin Brazing epoxy encapsulated



TECHNICAL SPECIFICATION FOR TCP & PCP

Document No.

Rev

GAIL-STD-CP-DOC-TS-001

0

SHEET 11 of 46

- Surge diverter/ Grounding cell at Insulation Mono – blocks, or
- Grounding cell at Insulation mono - blocks
- Solid state DC Decoupling device at A.C. Interference locations
- Earthing of Motor Operated Valve [MOV] and other Electrical equipments without disturbing CP System through Sacrificial anodes
- Polarization ER Coupons for corrosion monitoring
- Interconnecting cables
- Cable to pipe connections-Pin Brazing.
- Markers for Cable,Anode bed etc.
- CP System at Cased Railway Crossings

6.2 PERMANENT CATHODIC PROTECTION [P C P]

The [PCP] system may include the following major equipment/ sub-systems unless otherwise specified.

- Digital Power Source AC Input DC Output [TRU] with built-in Current interrupter and GPS based timer.
- Distribution Board [dB]
- MMO [LIDA Single] anodes and anode ground beds in carbonaceous back-fill
- Test stations [TLP]
- Computerized Test Stations [CTSU]
- CPPSM
- Junction Boxes with shunts and resistors [AJB] [CJB]
- Permanent Reference Cu-CuSO4 Electrodes [CSE]
- Pin Brazing for pipe to cable connection [epoxy encapsulated]
- Surge diverter/ Grounding cell across Insulation Mono - blocks
- Grounding cell at Insulation mono - blocks
- Solid state DC De-coupling device at A.C. Interference locations
- Polarization ER Coupons for Corrosion monitoring
- Interconnecting cables
- Cable to pipe connections.
- Markers [for cable route, anodebed etc.]



**TECHNICAL SPECIFICATION
FOR TCP & PCP**

Document No.

Rev

GAIL-STD-CP-DOC-TS-001

0

SHEET 12 of 46

- Insulating fittings

6.3 SITE CONDITIONS

The equipment will be designed for the following site conditions:

Min/Max. Temperature	0° C to 60° C
Design Temperature	65° C
Relative Humidity	90%
Height above MSL	< 1,000 M
Atmospheric Pollution	To withstand the site conditions, dust, vapour
Hazardous area classification for plant	Zone 2, Gas Group IIA, IIB
	Temp. Class T3

Control Room/Electrical Room/

D.G.Room / Guard Room/Battery Room Safe Area

6.4 EQUIPMENTS

All equipment shall be new and supplied by CP contractor sourcing from approved manufacturers of repute with proven track record and approved by the owner for the supply for this project. Equipment offered shall be field proven. Equipment requiring specialised maintenance or operation shall not be acceptable hence should be avoided, as far as possible, and prototype equipment shall not be accepted. Make and construction of all the material shall be as per GAIL Vendor list and Standard specification of this document.

The detailed specification of each system and equipment shall be furnished by the contractor.

However, certain minimum requirements for the major equipment are highlighted in this document.

6.4.1 Equipment Location In Hazardous / Non Hazardous Area

As far as possible equipment including Power source, test stations, anodes, junction boxes, TLP etc. shall be located in safe area. However, **all equipment located in hazardous areas shall be of flame proof type as per BIS: 2148, IEC 79 for gas groups IIA & IIB and temp. Class T3 (200° C).**All equipment to be located in Hazardous area should conform to and comply with BIS 2148 and IEC 79 (or equivalent) code requirements. All indigenous flame proof equipment should be certified by **CMRI**. All flame proof equipment of indigenous origin should also be **BIS** marked.



TECHNICAL SPECIFICATION FOR TCP & PCP

Document No.

GAIL-STD-CP-DOC-TS-001

SHEET 13 of 46

Rev

0

7. ANODE GROUND BEDS

7.1 TEMPORARY CATHODIC PROTECTION [TCP]

- 7.1.1 Along ROW where soil resistivity predominantly remains low and ranges from 0-10 Ω m Zinc (Zn) anodes shall be provided. However, at locations where soil/water pH is more than 9, Zn anodes not to be used as these get Passivated.
- 7.1.2 Along ROW where soil resistivity is predominantly higher than 10 Ω m Magnesium (Mg) anodes shall be provided.
- 7.1.3 At high resistivity area where resistivity is of the order of 50 Ω m and above Magnesium (Mg) ribbon anodes shall be provided.
- 7.1.4 Anodes shall be installed along the pipeline at suitable intervals as per pipeline protection voltage attenuation calculations and ground bed resistance/current output of anode installations.
- 7.1.5 Each electrically continuous section of pipeline shall preferably be protected totally by one type (material) of anodes [either Zn or Mg] to avoid inter-anode [Zn \leftrightarrow Mg] circulation currents. Grounding cell should also conform to this specific requirement.
- 7.1.6 The anodes shall be installed at sufficient depth to reach perennially moist soil [ascertained by ground water table data] but minimum 2M depth from grade level and shall be separated linearly from the pipe line by at least 5m and 2m for Magnesium (Mg) and Zinc (Zn) anodes respectively. The ribbon anodes should be laid at least 0.5 M away from pipe. The anode connections to pipe line shall be routed through test stations.
- 7.1.7 However, environment suitability [such as pH, excessive carbonate, bi-carbonates, sulphates, chlorides, nitrates etc. which could result in anode passivation] should be checked prior to lowering of sacrificial anodes suitability in the anodebeds. Zn should not be used if soil/water pH is over 9.
- 7.1.8 At the temporary CP anode ground bed, the leads of all the anodes shall be connected individually through Shunt and Resistor [for controlling each anode output individually] in the TLP/ junction box. The junction boxes should contain 20% extra terminals points.
- 7.1.9 For sacrificial anode ground beds which shall be integrated with permanent CP system the leads of all the anodes shall be brought up to the test station and shall be terminated individually with shunts inserted in between so that individual anode current output can be regulated & measured as required.
- 7.1.10 For Sacrificial anode CP system the Anodes shall be supplied with Tail cable [6 mm² PE PVC copper conductor single core multistrand cable] of sufficient length so as to reach Junction box, for termination, without difficulty. No joints are permissible on the cable run from anode tail to junction box.
- 7.1.11 The tail cable connection with the Iron Insert of Cable should be tightly done followed by Epoxy encapsulation so as to ensure that no Necking takes place which could result in snapping of cable connection due to spark. Anode cap of heat shrinkable PE material should be able to ensure this.

7.2. PERMANENT CATHODIC PROTECTION [P C P]

	TECHNICAL SPECIFICATION FOR TCP & PCP	Document No.	Rev
		GAIL-STD-CP-DOC-TS-001	0
		SHEET 14 of 46	

- 7.2.1. Anodebeds To be installed at every CP Station and located at least 100 M away from pipeline ROW to ensure adequate remoteness which should also be calculated.
- 7.2.2. All [MMO] Anodes to be placed in Petroleum coke breeze, in appropriate [deep –horizontal or vertical, or semi-, deep well, deep well] configuration as per design to achieve requisite circuit resistance and protective Current output throughout the [40 years] service life. However, anode bed configuration selected should be technically justified.
- 7.2.3. The MMO anode should be supplied with sufficient length of 10 mm² XLPE PVC cable so as to run up to junction box for termination in the junction box without in-between joints. No joints are permitted in cable run from Anode tail to junction box. This cable size is minimum only and wherever necessary, for appropriate operation of the CP system, higher sized cables should be provided.
- 7.2.4. Appropriate tamping of carbonaceous backfill [petroleum coke breeze] should be done so as to ensure appropriate compaction around [MMO] anode.
- 7.2.5. Anodebed Plot: CP contractor shall acquire[for GAIL] & anode bed plot to be as per design requirement) & at least 100 M away from pipeline ROW for locating anodebed, at each Anodebed location along the pipeline ROW. CP Contractor to indicate the location of anodebeds along pipeline ROW and mark it on As-Built Drawings and handover the requisite ownership documents to GAIL at the time of Handing over of the system.

8. ANODES

❖ **SACRIFICIAL ANODES**

8.1 MAGNESIUM ANODE

The anode shall be of low voltage (-) 1.5 V type Magnesium [Mg] alloy packed in special back fill and suitable for use with three layer extruded polyethylene coating. The anode to conform to ASTM B 843 specifications such as the metallurgical composition, potential and consumption rate of anode shall be as below:

xii. Composition:

Element	Weight
Manganese	0.15 – 0.7%
Copper	0.02% max.
Silicon	0.10% max.
Zinc	2.5 – 3.5%% max.
Aluminium	5.3 – 6.7% max
Iron	0.003% max
Nickel	0.002% max
Other metallic elements - Each	0.05% max.



**TECHNICAL SPECIFICATION
FOR TCP & PCP**

Document No.

GAIL-STD-CP-DOC-TS-001

SHEET 15 of 46

Rev

0

- Total 0.3% max.

Magnesium (Mg) Balance

xiii. Anode open circuit potential (-)1.5 volts. W.r.t. CSE

xiv. Anode consumption rate 7.9 kg / (A Yr) Max.

8.2 ZINC ANODE

The Zinc [Zn] anode shall conform to ASTM B 418 standard. The anode (other than ribbon anode) shall be packaged with special back fill. The metallurgical composition of anode, potential and consumption rate shall be as below:

Composition:

Element	Weight
Aluminium	0.3 – 0.5% max.
Cadmium	0.075-0.1% max.
Copper	0.005% max.
Iron	0.002% max.
Silicon	0.005% max.
Lead	0.005% max.
Zinc	Remainder

Anode open circuit potential (-) 1.1 volts w.r.t. CSE

Anode consumption rate 11.24 kg / (A yr) Max.

8.3 Contractor shall furnish spectrographic analysis from each heat both for Zinc (Zn) and Magnesium (Mg) anodes along with electrochemical test results .CP Contractor shall mention specifically the method of Spectrography (Atomic Absorption/Emission Spectrometry/Photometrics) for Owner's Approval.

8.4 SPECIAL BACKFILL FOR SACRIFICIAL ANODES

The composition of special backfill for sacrificial anodes shall be as below:

Gypsum	75%
Bentonite	20%
Sodium sulphate	05%

8.5 Some Specific Requirements for sacrificial anodes are as follows:



TECHNICAL SPECIFICATION
FOR TCP & PCP

Document No.

GAIL-STD-CP-DOC-TS-001

SHEET 16 of 46

Rev

0

The anodes shall be provided with cable tail of sufficient length to reach junction box/test station [TLP] as applicable in single run without tension and without in between joints.=

8.5.1. TOLERANCE IN FABRICATION OF SACRIFICIAL ANODES

Visual Inspection shall be carried out on all the Anodes regarding surface finish, excessive shrinkage, cracks, cable joint to anode core etc.

- The anode surface shall be free from cracks (which may reduce the performance of the anode.).
- Any cracks which follow the longitudinal direction of elongated anodes shall not be acceptable.
- Small cracks in the transverse direction of elongated anodes and in anodes of other shapes may be accepted provided the cracks would not cause any mechanical failure during service of the anode considering that the combination of cracks and lack of bond to the anode core is detrimental.
- For transverse cracks the acceptable limits shall be furnished by the bidders along with the offer.
- The anode shall be free from excessive shrinkages. The following limits shall be used.

Maximum 10% of the depth of anode or 50% of the depth of the anode core whichever is less. The depression may be measured from the edges of one side.

- The surface of the anodes shall be free from coatings and slag/ dross, inclusions etc.
- The maximum deviation from straightness shall not exceed 2%.
- The weight tolerance on individual anodes may be taken as ± 5%. The total weight of the anodes shall not have negative tolerance.
- Recommended dimensional tolerance shall be as follows:

Length	± 2.5%
Width/ thickness	± 5%

- One Anode per heat shall be radiographed to evaluate slags, voids, inclusion etc.
- At least 10% number of Anodes from each heat to be checked for conformity to Dimensions & Weight.
- One Anode, at least shall be Tested Destructively to check bond between Anode material and steel insert, slag, inclusion etc. Failure of one anode during the test shall make the entire anode lot liable for rejection.



**TECHNICAL SPECIFICATION
FOR TCP & PCP**

Document No.	Rev
GAIL-STD-CP-DOC-TS-001	0
SHEET 17 of 46	

FOR PERMANENT CATHODIC PROTECTION [P C P]

8.6 Mixed Metal Oxide [MMO] Anodes: LIDA SINGLE

The Permanent Cathodic Protection [PCP] system will have Mixed Metal Oxide [MMO] Strip Anodes also known as LIDA [Linear Distributed] Anodes and LIDA single. The [MMO] LIDA single anodes shall be centre connected sealed tubular type. These Anodes shall be of Noble metals [group VIII] Mixed Metal Oxide coated Titanium [having Ti substrate composition conforming to ASTM B 338 Grade I and/or Grade II]. The LIDA [MMO] anodes shall be dimensionally stable.

The characteristics of the [MMO] LIDA single anodes are as follows:

- Shape and Dimension
 - 1,000 mm ± 5 mm long
 - 25 mm ± 0.2 mm wide
 - 3 mm ± 0.1 mm thick
- Weight 0.27 Kgs ± 0.020 Kgs. Recommended Maximum

OPERATING CURRENT DENSITY

- With Carbonaceous Backfill 75 Amp / M²
- Current Output with Carbonaceous Backfill 3 Amp /M²
- Electrical Resistivity 6 x 10⁻⁵ Ω cms.
- Type of Joint Epoxy Splicing
- Contact Resistance of Anode to Cable joint 9 x 10⁻⁵ Ω {maximum}
- MMO Coating thickness ≥ 6 gms/M²
- Anode Consumption Rate 1 mg/Amp. Yr.
- Type of Cable XLPE PVC 10 mm²
- Length of Cable As Required so as to reach JB
- Design Life 40 Years
- The Anodes shall be provided Bare for Deep well, and with sheet steel canisters and petroleum coke breeze for deep bed configuration
- The Anodes to be Installed at a distance of 5m (Minimum) apart and shall be **electrically remote to the pipeline [to be ascertained by calculations]**. Normally the nearest part of anode for deep horizontal/vertical type of anode beds shall not be less than 100M from the pipeline. However, the actual distance will be as per site conditions. For Deep well anode bed the first anode should be at least more than 15 M deep [as per NACE RP 0572 Standard] and the actual depth shall be as per Approved Design. However, for Deep well Anode bed also LIDA Single [MMO] anodes (& not LIDA String Anodes) shall be used.



**TECHNICAL SPECIFICATION
FOR TCP & PCP**

Document No.	Rev
GAIL-STD-CP-DOC-TS-001	0
SHEET 18 of 46	

- Anode LIDA [MMO] Single to cable [XLPE PVC 10 mm²] jointing and insulation shall be done by anode manufacturer at MMO anode fabrication shop.
- Dimension & weight of all anodes to be checked & recorded. Negative tolerance will not be acceptable.
- Routine & type test certificates of cable manufacturer to be furnished for anode lead cable as per IEC 502 – 1983 or relevant BIS code. Length and identification tag to be verified by measurement
- Each anode to cable joint shall be tested for it's electrical contact resistance & its value in Ω shall be recorded.
- First Anode to cable joint shall be subjected to accelerated ageing test & destructive test to determine pullout strength of cable to anode joint as well as effectiveness of the joint insulation.
- Manufacturer shall furnish detailed dimensioned fabrication drawing of anodes as well as details of cable connection & it's insulation sealing to owner for approval. Manufacturer of anode will commence only after this Approval from owner.
- Vendor shall furnish, for Owner's Approval, the following information
 - type & make of Heat Shrink cap & it's properties
 - procedure for making the joint
 - procedure for accelerated ageing test
 - Vendor shall submit all test reports for Owners review.

9.0 PETROLEUM COKE BREEZE

Lubricated calcined petroleum coke breeze backfill material for use with LIDA Single [MMO] Anodes in [PCP] system shall have a carbon content of 91.77% minimum and a bulk density of 74 pounds per cubic ft. Zero percent shall be retained by a screen size of 16 mesh.

The coke breeze shall have low resistance carbon lubricant added for lowering the combined resistance while developing the pumping qualities. Earth contact resistance shall be 0.1 Ω cm at 150 PSI.

BACKFILL DATA SHEET

Carbon	91.770%
Volatiles	00.700%
Ash	02.230%
Sulphur	05.850%
Silicon	00.060%
Iron	00.020%
Moisture	00.000%



**TECHNICAL SPECIFICATION
FOR TCP & PCP**

Document No.	Rev
GAIL-STD-CP-DOC-TS-001	0
SHEET 19 of 46	

TYPICAL PARTICLE ANALYSIS

Screen Size	% Retained	% Retained (Cumulative)
16 Mesh	00.000	000.00
28 Mesh	02.100	002.10
48 Mesh	21.100	023.20
100 Mesh	60.300	083.50
200 Mesh	15.000	099.50
200+Mesh	01.500	100.00

TYPICAL PHYSICAL ANALYSIS

Bulk Density	54 lb/cu ft.
Real Density	02 gm/ml
Porosity	40.8%

- ❖ The Petroleum Coke Breeze Material shall be tested for chemical composition, bulk density, real density, particle size and resistivity, sieve analysis.

10.0 AC OPERATED AUTO/MANUAL TRANSFORMER RECTIFIER UNIT [TRU]

The TRU shall be supplied in accordance with the following specifications and Data sheets:

10.1 GENERAL DESCRIPTION

This specification covers the requirements of design, manufacture, inspection, testing and supply of Automatic Controlled Transformer Rectifier Unit for Cathodic Protection of underground structures. Reliability of equipment and ease of maintenance is of utmost importance. The workmanship shall be of highest grade and entire design and construction in accordance with the best modern practice. The C.P. Units shall be capable of continuous trouble free operation at full load rating specified. The protection devices and control components shall be of standard design and carefully chosen to meet the requirements of the sets.

All similar materials and parts of similar equipments shall be interchangeable with each other. Special care shall be exercised in the design and manufacture for aging effects, low input voltage, DC voltage fluctuations, high forward current through the rectifying elements and high temperature conditions during operation.



TECHNICAL SPECIFICATION
FOR TCP & PCP

Document No.

GAIL-STD-CP-DOC-TS-001

SHEET 20 of 46

Rev

0

Apart from the derating for site conditions an additional derating of 20% shall be considered for the specific use. The components of the units shall be designed for maximum operating efficiency. The C.P. Units shall be provided with all the necessary protections required as detailed in the following pages. The C.P. Units shall have Automatic/Manual control and shall be metal clad, compact, indoor installation type, air natural cooled, dust and vermin proof systems exactly confirming to the following specifications and no deviations shall be allowed.

10.2 TECHNICAL REQUIREMENT

10.1.1 The CP Transformer Rectifier Units' scheme for protection, monitoring, control, metering and indication shall be designed to meet requirements of this specification. The control shall be achieved using thyristors and fully solid state logic only. The various features of the unit will be as per the details provided in the data sheet in this specification.

10.1.2 Transformer shall be of double wound, air cooled type with an electrostatic shield between the windings. The transformer insulation shall be Class F. The winding size shall be based on maximum current density of 1.6 Amps/sq. mm of copper conductor.

10.1.3 Rectifier shall be silicon type of approved make with adequate cooling arrangement and with moisture and humidity resistant finish. It shall be mounted on spindles or other suitable supports. It shall have configuration suitable for full wave rectification. Adequate filtering in the form of L-C filtering circuit shall be provided on output side to smoothen out the D.C. output to limit ripple content to less than 5% at rated output.

The input and output of rectifier shall be protected by fast acting fuses of suitable ratings. Lightning Arrestors/Surge Suppressors shall also be provided across D.C. output terminals and A.C. input terminals to protect the rectifier against surges. Each diode and SCR shall be provided with suitable surge suppressers.

10.2 OPERATION OF THE CP TRANSFORMER RECTIFIER UNIT

The T/R unit shall be provided with two modes of working as under. A mode selector switch shall be provided to select the desired mode of operation. Both the modes shall be independent of each other and failure of the unit in one mode shall not affect working of the unit in other mode. A brief description of these modes is given below.

A) Auto Ref. Mode

The unit will be generally working in this mode. The operation of the unit in this mode shall be controlled by a reference signal. The output D.C. voltage of the unit in this mode shall vary right from 0V to rated voltage and from 0A to rated current to maintain the reference signal within ± 20 mV of the set value under all operating conditions. The response of the unit shall be instantaneous to suppress extremely fast acting external stray currents if present. The typical reference regulation in this mode shall be within ± 20 mV under all conditions.



**TECHNICAL SPECIFICATION
FOR TCP & PCP**

Document No.	Rev
GAIL-STD-CP-DOC-TS-001	0
SHEET 21 of 46	

Fully solid state Automatic Reference Selector logic shall be provided to select the lowest of the Three Reference Inputs automatically. Facility shall also be provided for Manual selection of any one out of the three reference inputs for control. Suitable metering arrangement shall also be provided to monitor all the three external reference signals as well as the internal reference signals independently.

In the event of failure of all the reference signals, the unit will provide alarm - "All Reference Fail" and the output of the unit shall get adjusted to a preset value, which will be operator adjustable from 0V to rated voltage.

Independent ultra fast acting electronic current limit circuit shall be provided to limit the output current of the unit in Auto mode to any value from 0 A to rated value as desired by the operator. The current limit circuit will be capable of protecting the unit even under dead short circuit across output. The unit will be capable of sustaining dead short circuit across output indefinitely without degrading or damaging any internal components in this mode.

B) Automatic Voltage-Current Control mode (AVCC mode)

This will be the second mode of operation. The working of this mode shall be totally independent of the Auto mode and failure of the unit in Auto mode shall not affect operation in this mode.

The output voltage of the unit shall be adjustable to any value from 0V to rated voltage by means of a stepless voltage setter. The set voltage shall be maintained within $\pm 0.25V$ of the set value for change in DC input voltage within specified limits and change in load from 0A to full load.

The output current of the unit shall also be adjustable to any value from 0A to rated current by means of a stepless current setter. The current shall be regulated within $\pm 0.5A$ of the set value for change in DC input voltage within specified limits and change in load from zero to the rated value. The response of both current controller and voltage controller shall be ultra fast, instantaneous type. The current limit circuit will be capable of protecting the unit even under dead short circuit across output. The unit will be capable of sustaining dead short circuit across output indefinitely without degrading or damaging any internal components in this mode.

10.3 LOCAL & REMOTE MONITORING & CONTROL

The unit will be capable of working in Local Mode of control as well as Remote mode of control. For this purpose a mode selector switch will be provided on the unit. With this switch in 'Local Mode' it will be possible to control the various parameters of the unit by means of local controls located in the unit. With this switch in 'Remote Mode' it will be possible to control the various parameters of the unit remotely thru the RTU/SCADA system.

10.3.1 Local Monitoring & Local Control



**TECHNICAL SPECIFICATION
FOR TCP & PCP**

Document No.	Rev
GAIL-STD-CP-DOC-TS-001	0
SHEET 22 of 46	

Facility will be provided for monitoring and control of various parameters by means of controls provided on the front panel of the unit. The details of the parameters to be monitored and controlled locally are as under:

10.3.1.1 Local Monitoring

Facility will be provided for local monitoring of following:

A) Metering on Panel

- AC Input Voltage - Digital Voltmeter
- AC Input Current - Digital Ammeter
- DC Output Voltage - Digital Voltmeter
- DC Output current - Digital Ammeter
- PSP (Set & Actual) - Digital Voltmeter with 10 Meg Impedance

B) LED Indications on Panel

- AC Supply ON - LED indication
- Pipeline Underprotection - LED indication
- Pipeline Overprotection - LED indication
- Reference 1 Lowest - LED indication
- Reference 2 Lowest - LED indication
- Reference 3 Lowest - LED indication
- Reference 1 Fail - LED indication
- Reference 2 Fail - LED indication
- Reference 3 Fail - LED indication
- All Reference Fail - LED indication
- Overcurrent (Current Limit) - LED indication
- Unit Working in Auto Mode - LED indication
- Unit Working in AVCC Mode - LED indication
- Unit Working in Local Mode - LED indication
- Unit Working in Remote Mode - LED indication



**TECHNICAL SPECIFICATION
FOR TCP & PCP**

Document No.	Rev
GAIL-STD-CP-DOC-TS-001	0
SHEET 23 of 46	

10.3.1.2 Local Control

Facility will be provided for local control of following:

- O/P Voltage - By means of potentiometer on panel
- DC O/P Current - By means of potentiometer on panel
- PSP - By means of potentiometer on panel
- Selection of Auto/AVCC Mode - By means of selector switch on panel
- Start/Stop of Current Interrupter - By means of Keypad on Timer
-

10.3.2 REMOTE MONITORING & REMOTE CONTROL

The T/R unit will be suitable for Remote Monitoring & Remote Control through the RTU/SCADA system. For this purpose Programmable Logic Control system (PLC) shall be provided in the existing TR unit. The PLC shall interface all the remote control and monitoring signals of the TR with RTU/SCADA. The PLC shall be of a reputed and proven brand like Allen Bradley, Siemens, GE, Schneider, and Mitsubishi. PLC of any unknown and non-proven make will not be acceptable.

The system shall comprise of Processor, I/O system, communication sub-system, power supply and serial link communications to RTU, including 10 meters of serial interface cables along with all necessary connectors at both ends for communication to RTU. The system shall include all accessories like isolators, relays, terminals, etc as per the specifications along with software and all other necessary hardware, etc required for proper operation of the PLC system.

The design and the component used for the PLC system shall provide maximum reliability, maximum on-line performance and minimum maintenance. All items shall be field proven. No prototype item shall be supplied.

The PLC shall not be damaged due to power failure. In case of power failure the PLC shall be able to retain the control settings prior to power failure and set accordingly on resumption of power.

The system shall be modular in construction and expandable in future by adding additional modules, which shall be easily accessible for maintenance and repair. The types of modules shall be kept to minimum possible in order to have inter-changeability and low spares inventory.

The PLC shall have a very high noise immunity in order to ensure safe and reliable operation when subjected to electrical radio frequency interference and electro magnetic disturbances expected from other electrical/electronic equipment located near by and inside the TR unit panel.



TECHNICAL SPECIFICATION FOR TCP & PCP

Document No.

GAIL-STD-CP-DOC-TS-001

SHEET 24 of 46

Rev

0

The communication subsystem shall be a digital communication bus that provides reliable and high speed data transfer between the processor subsystem, I/O subsystem, PLC display, or other devices connected to the system.

10.3.2.1 SYSTEM SOFTWARE

The vendor will supply the necessary system software such as all programs for the PLC, PLC display etc. which are required to perform all the PLC functions including communication and self-diagnostics. Logic program with necessary instructions shall be recorded on compact disc (CD) and shall be delivered with the system.

The PLC system shall be rated for 24 V DC power supply voltage. The 24 V DC power supply shall be derived from 230V AC power supply for the TR unit, through a suitably rated 24 V DC Power supply module.

The PLC and the DC for power supply module for the PLC shall be mounted inside the TR Unit panel.

10.3.2.2 PARAMETERS FOR REMOTE MONITORING

Facility will be provided for remote monitoring of following:

A) Analog Signals

- DC Output Voltage - Hardwired
- DC Output current - Hardwired
- Lowest/Selected PSP - Hardwired

B) Digital Status Signals

- Pipeline Underprotection - Through PLC / RS 485
- Pipeline Overprotection - Through PLC / RS 485
- All Reference Fail - Through PLC / RS 485
- Unit Working in Auto Mode - Through PLC / RS 485
- Unit Working in AVCC Mode - Through PLC / RS 485
- Unit Working in Local Mode - Through PLC / RS 485
- Unit Working in Remote Mode - Through PLC / RS 485



**TECHNICAL SPECIFICATION
FOR TCP & PCP**

Document No.	Rev
GAIL-STD-CP-DOC-TS-001	0
SHEET 25 of 46	

10.3.2.3 PARAMETERS FOR REMOTE CONTROL

Facility will be provided for Remote control of following:

- Setting of DC O/P Voltage - Through PLC / RS 485
- Setting of DC O/P Current - Through PLC / RS 485
- Setting of PSP - Through PLC / RS 485
- Selection of Auto/AVCC Mode - Through PLC / RS 485
- Start/Stop of Current Interrupter - Through hard wired potential free contact from RTU/SCADA

10.4 RELIABILITY AND FACTOR OF SAFETY

Due to very harsh conditions under which the units are going to operate, prime importance shall be given to ensure reliability and trouble-free operation. To take care of high transient voltages and high peak current demands adequate factor of safety shall be provided in choosing all the components. Minimum factor of safety to be provided for critical components is as under.

Components	Factor of Safety
All wound components	: 50% additional capacity
Thyristor & diodes	: PIV : 1200V minimum Iav : At least 3 times actual max. average current at full load.
Passive components like switches, resistors	: 50% safety margin in current rating.
Overall system	: The unit shall be capable of delivering 125% rated current output at rated voltage for 1 hour.
Electronic Control	: The entire electronic circuitry shall be assembled on plug-in type glass epoxy PCBs. The control circuit shall be designed using the latest advanced ICs to minimize the component count. Status indicator LEDs shall be provided on each control card to indicate functioning of the card. All the control cards shall be completely sealed using protective coatings. The control circuit shall be capable of operating at elevated



**TECHNICAL SPECIFICATION
FOR TCP & PCP**

Document No.

GAIL-STD-CP-DOC-TS-001

SHEET 26 of 46

Rev

0

Components**Factor of Safety**

temperatures of upto 70 °C without any degradation in performance or life expectancy.

10.5 WORKING LIFE

The TR Unit shall be designed for a working life of minimum 35 years.

10.6 TECHNICAL SPECIFICATIONS AND DATA SHEET – TR Unit

- A) A. C. Input Voltage : 230V \pm 10%, 1Ph, 50 Hz \pm 5%, AC
- B) A. C. Input Current : 8.0 A (max)
- C) D. C. Power Output : 625W
- D) D. C. Output Voltage : 0 to 25V DC
- E) D. C. Output Current : 0 to 25A DC
- F) Controls : 1. Auto PSP
2. AVCC (Manual)
- G) Full load efficiency of the TR unit : Not less than 70%
- H) Power Factor at full load : Better than 0.8 Lag
- I) Insulation Level : 2 KV for 1 minute
- J) Cable entry : A.C. input, D.C. output, Ref. Cells and Alarm cables. From the bottom plate of the unit, thru suitable cable glands.
- K) Filtering circuit : L. C. Filter
- L) Ripple & Hum : Less than 5% at rated load
- M) Surge Diverters for diodes/SCRs/Transistor : Metal oxide varistors / capacitors / R-C Networks
- N) Lightning Arrestor : At both input & output side of the unit
R.M.S. Voltage Rating : 500V
R.M.S. Current Rating : 1.5KA
Type : LT 0.5 or Eqv.
- O) Protection : - 2 pole MCB in AC input for overload



**TECHNICAL SPECIFICATION
FOR TCP & PCP**

Document No.

GAIL-STD-CP-DOC-TS-001

SHEET 27 of 46

Rev

0

protection & Isolation.

- 2 pole MCB in DC output.
 - HRC fuses in input & output.
 - Glass cartridge fuses in the live line of all lamps, auxiliary power lines to control circuit.
 - Built in electronic current limit and short circuit protection feature.
- Current limit adjustable from 0 to rated value.
- All reference fail indication and automatic setting of O/P DC voltage to preset value.

P) Ref. Fail Safe Feature

In the event of failure of all the Reference Electrodes the unit will provide "All Reference Fail" indication and the DC O/P voltage will get adjusted to a programmable preset value.

Q) Reference Electrode
[Permanent]

: 3 Nos. Cu/CuSo4
Automatic Reference Selector Logic shall be provided to automatically select the lowest (least protected) reference signal out of three reference signals fed to the unit simultaneously.
Facility shall also be provided to select one out of three ref. Electrodes by means of a Manually operated Reference Selector switch.

R) Control element

: The DC output will be controlled using latest solid state SCRs.
These SCRs will be controlled by the commands from the control circuits.
All the electronic circuits will be assembled on plug-in type control cards.

S) Modes of operation

: Following modes of control shall be provided.
a) Auto Ref. Mode:
The operation of the unit in this mode will be fully Automatic and will be controlled by the Reference electrode feedback (PSP). The unit will automatically maintain Reference voltage or P.S.P. within $\pm 20\text{mV}$ of the set value under all conditions.
b) AVCC Mode:
This will be the second mode of operation. In this mode the unit can be operated in either constant voltage or constant current mode.



**TECHNICAL SPECIFICATION
FOR TCP & PCP**

Document No.

Rev

GAIL-STD-CP-DOC-TS-001

0

SHEET 28 of 46

- The output voltage will be adjustable from 0 to rated value by means of stepless voltage setter potentiometer.
The output current will be adjustable from 0 to rated value by means of stepless current setter potentiometer.
- T) Voltage Setting Range in AVCC Mode (Manual) Mode : 0 to 25V
 - U) Current Limit setting Range : 0 to 25A
 - V) P. S. P. setting Range : -0.8V to -2.5V
 - W) Ref. Regulation in Auto Mode : Better than $\pm 20\text{mV}$
 - X) DC Voltage regulation in AVCC (Manual) Mode : Better than $\pm 0.25\text{V}$
 - Y) Current Regulation in current limit mode : Better than $\pm 0.5\text{A}$
 - Z) Indications :
 - a) Underprotection
 - b) Overprotection
 - c) Reference cell 1 Lowest
 - d) Reference cell 2 Lowest
 - e) AVCC mode of operation
 - AA) Annunciations :
 - a) Underprotection
 - b) Overprotection
 - c) Reference cell 1 Lowest
 - d) Reference cell 2 Lowest
 - e) Reference cell 3 Lowest
 - f) Reference cell 1 fail
 - g) Reference cell 2 fail
 - h) Reference cell 3 fail
 - i) Reference cell All fail
 - j) Overcurrent (Current Limit Mode)
 - AB) Meters/Instruments : Digital Meters as under:
 - AC Input Voltage : 0 to 300V AC
 - AC Input Current : 0 to 10A with CT
 - 3-1/2 Digit Digital Meters as under:



**TECHNICAL SPECIFICATION
FOR TCP & PCP**

Document No.

Rev

GAIL-STD-CP-DOC-TS-001

0

SHEET 29 of 46

Output Voltage : 0 to 50V DC

Output Current : 0 to 50A with shunt PSP & Set PSP :
0 to + 19.99 V DC

AC) Local control Mode : Following controls will be provided in local mode from local control panel.

1. Setting of Ref. PSP through Potentiometer
2. Setting of Output Voltage through Potentiometer.
3. Setting of output current limit through Potentiometer.
4. Auto/AVCC Mode Selection
5. START/STOP of Current Interrupter

AD) Remote Monitoring and control through PLC through RS 232C / RS 485 Serial Link : Following features will be provided by means of PLC and RS232C / RS 485 Serial Link with MODBUS RTU Protocol.

Digital Input status to RTU/SCADA.

1. Under Protection
2. Over protection
3. All Ref. Fail
4. TR unit in Auto mode
5. TR unit in AVCC mode
6. TR unit in Local mode
7. TR unit in Remote mode

Digital control signal from RTU/SCADA

1. TR unit Operation in AUTO mode
2. TR unit Operation in AVCC mode

Analog Input status to RTU/SCADA

1. Lowest/selected PSP value
2. Output DC voltage



**TECHNICAL SPECIFICATION
FOR TCP & PCP**

Document No.

Rev

GAIL-STD-CP-DOC-TS-001

0

SHEET 30 of 46

3. Output DC current

Analog Set points from RTU/SCADA

1. Setting of PSP

2. Setting of DC output voltage

3. Setting of DC output Current

AE) Current Interruption : Current interruption facility will be provided by means of a built-in contactor & microprocessor based fully programmable and GPS enabled Synchronisable digital timer with real time clock & ON/OFF time display. The timer will have facility for adjusting the ON time & OFF time from 0 to 999 sec. by means of front panel keypad. Timer will have START, STOP & RESET facility thru local keypad or thru remote potential free contacts.

The Timer will have typical time accuracy of + 5 PPM

Facility for interconnection of an external timer shall also be provided.

A removable bypass link will be provided for bypassing the interrupter contactor contacts.

AF) Enclosure/Construction : Floor mounted Indoor type.

Fabricated from 1.5mm/2.0mm CRCA sheet.

Confirming to IP42 degree of protection.

Lockable doors shall be provided in the front and back.

AG) Cooling : Natural air cooled

AH) Painting : Baked epoxy paint/Powder Coating of shade RAL 7032 Siemens grey with proper pre-treatment and primer application as per standard Industrial Practice.

AI) Earthing : 2 Nos. M6 earthing bolts and 1 no. nickel plated copper earth bus bar shall be provided.

10.6.1 MANUFACTURER'S TECHNICAL EXPERTISE & EXPERIENCE IN THE FIELD OF CATHODIC PROTECTION RECTIFIERS



**TECHNICAL SPECIFICATION
FOR TCP & PCP**

Document No.

Rev

GAIL-STD-CP-DOC-TS-001

0

SHEET 31 of 46

The manufacturer should be a reputed and established manufacturer of CP Rectifier & CPPSM Units and should have experience in manufacturing of C.P. rectifiers & CPPSM units of similar specifications. The manufacturer will have to submit a list of C.P. Rectifier & CPPSM installations having similar specifications executed in the past 5 years, giving present working status of various units.

10.6.2 TESTING AND INSPECTION

The Manufacturer/Contractor shall provide all the necessary facilities to carry out full performance tests on the AC operated DC Output TR Units at his works.

10.6.3 GUARANTEE

The manufacturer/Contractor will have to guarantee the successful working of the units for a period of 12 months from date of Installation & commissioning.

11 REFERENCE ELECTRODE [CuCuSO4] PERMANENT TYPE

Permanent Copper Copper sulphate reference electrodes three (3) numbers at each CP Station and one at middle of two consecutive CP Stations are to be installed for [P-S-P] Monitoring. One number CSE (Permanent type at each ER Probe to be installed.

12 TEST STATIONS [TLP]

12.1 Test stations [TLP] shall be provided along the pipeline ROW for monitoring the performance of the cathodic protection system at intervals not exceeding 1,500 meters unless otherwise specified. In addition to above, test stations of requisite type [A, B, C, D, E or Combination of any two of these Viz: DE] shall be provided at the following locations:

- a. At both sides of major road crossings
- b. At all insulating joints
- c. At vulnerable locations with drastic changes in soil resistivity.
- d. At connections of surge diverters, grounding cells and polarisation cells.
- e. At HT AC/DC overhead line crossings and selected locations where HT overhead line is in the close vicinity of the pipeline.
- f. At railway line crossings and running parallel to the pipeline.
- g. At both sides of major river crossings.
- h. At high voltage cable crossings or along routes where HV cables are running in parallel.
- i. In the vicinity of DC net works or grounding system where interference problems are suspected.



**TECHNICAL SPECIFICATION
FOR TCP & PCP**

Document No.	Rev
GAIL-STD-CP-DOC-TS-001	0
SHEET 32 of 46	

- j. At crossings/parallel running of other pipelines/ structures.
- k. At both sides of cased crossings.
- l. At any other locations considered vulnerable/locations where interference is expected.
- m. At any other locations considered necessary by owner/ owner's representative.

Besides, every 10 Kms. Computerized Test station shall be installed for remote monitoring of the Protective Potential and Current profile.

Non Metallic [TLP] to be installed at every 1Kms. Of Salt Pan Area.For Other Areas metallic [TLP] may be provided.

- 12.2 Between the pipeline and foreign pipelines or structures that may exist in common ROW. Test stations for bonding shall be provided with shunt and resistor as a means to monitor and control current to ensure zero net flow of Current from one to the other.
- 12.1 Test stations used for sacrificial anodes shall have shunt for measurement of individual anode current, and provision of resistance to limit & control the anode current output.
- 12.2 Test station with current measuring facility shall be provided at each intermediate CP station drainage point (to measure pipeline current on any one or both side of the pipeline from drainage point), at interference prone areas, on both sides of major river crossings and at least at two additional locations along the pipeline ROW between two CP stations.
- 12.3 All test stations shall have weather proof enclosure, having degree of protection IP55 with hinged lockable shutter. Enclosure shall be made of sheet steel of at least 3 mm thickness and shall be suitable for M.S. post mounting. The test stations shall be designed with terminals required for both temporary [TCP] and permanent CP system [PCP] and shall be suitable for total life of permanent CP system.
- 12.4 The test stations shall be installed with the front of the test station facing the pipeline. The name plate of test stations shall in minimum carry following information.
 - Test station number
 - Chainage in km
 - Test station connection scheme type
 - Distance from pipeline in meters
 - Direction of product flow
- 12.5 Terminal blocks and different scheme of wiring as required shall be provided in the test station as per the test station connection scheme sketch.
- 12.6 The location of all the test stations shall be marked with their connection schemes and other relevant information on alignment sheets. A detailed test station schedule shall be prepared.
- 12.7 Computerized Test Stations [CTSUs] to be installed at pre-identified locations along pipeline ROW for Monitoring the CP System adequacy from these locations. Readers three (2) numbers at least to be supplied with two CTSUs.

13 SURGE DIVERTER, GROUNDING CELL AND POLARISATION CELL



**TECHNICAL SPECIFICATION
FOR TCP & PCP**

Document No.	Rev
GAIL-STD-CP-DOC-TS-001	0
SHEET 33 of 46	

13.1 At the crossing or parallel run of pipeline and overhead HT line of 66 KV and above, the pipeline shall be grounded through solid state polarisation cell/device. Alternatively, grounding could also be done with galvanic anodes [grounding cells] at the discretion of the owner. The grounding shall be done at regular intervals where transmission line run parallel within 25 m of the pipeline, to ground any surges in the pipeline potential that may appear in case of faults [phase to phase or phase to ground] in overhead transmission line.

Locations along pipeline where continuous induced over-voltage due to HT line etc. is expected &/or observed during commissioning, the pipeline shall be earthed through solid state polarisation cell/device to the HT tower earth system causing the voltage induction to ground or through a separate earthing system. Alternatively the pipeline shall be grounded with galvanic anodes [Grounding cells] at the discretion of the owner.

13.2 The solid state polarisation cell/device shall be installed in a vandal proof steel housing by the contractor.

13.3 Spark gap surge diverter shall be connected across each insulating joint to protect it from high voltage surges.

Alternatively, Zinc or Magnesium grounding cell may be provided across insulating joints along ROW where the pipelines on both sides of the insulating joint are Cathodically protected and difference of protection voltage is not more than 0.4 volts.

13.3.1 Surge diverter shall be provided for the protection of insulating joints located at the ends of the pipe line/at terminals & in between. Alternatively owner on his own discretion may permit use of Magnesium (Mg)/Zinc (Zn) galvanic anodes [grounding cells] appropriately sized for protection of insulating joints. Choice between Zn & Mg anodes will depend up on the potential values on either side of the insulating joint locations. These anodes shall be sized for the specified design life of permanent cathodic protection system [PCP].

13.3.2 The total system including cable, cable termination, anodes/surge diverters shall be suitable for the anticipated fault current magnitude at the location of its installation.

13.3.3 Unless otherwise specified the minimum rating of grounding cell, polarisation cell and surge diverter shall be as below:

i. **Grounding Cell**

- Type : 2 or 4 plate type
- Current rating : Suitable to pass more than 10 kA surge

ii. **Polarisation Cell**

- Type : *Solid state device*
- Current rating : The rating shall be based on actual fault current expected at site.

iii. **Surge Diverter**



**TECHNICAL SPECIFICATION
FOR TCP & PCP**

Document No.	Rev
GAIL-STD-CP-DOC-TS-001	0
SHEET 34 of 46	

- Type : Spark gap
- Current 8/20 μ s) : 100 kA
- Spark over AC voltage :
- 50 Hz 1 KV
- Impulse (1.2/50 μ s) : 2.2 KV

13.4 The grounding cell, surge diverter and the solid state polarisation cell/device system shall be sized for the design life of permanent CP system. The Zinc (Zn) or Magnesium (Mg) anodes meant for pipeline grounding shall also be sized for the life of the permanent CP system and the surge magnitude taking into account the current discharge from the anodes. The grounding system shall have minimum resistance to earth to restrict the pipeline voltage [PSP] as per NACE protection criteria.

14 CP AT CASED CROSSING

At all cased crossings the casing shall be coated using 2 pack epoxy, 750 micros thick, both on internal and external surface of the casing. The casing shall be protected additionally by independent [from carrier pipe protection system] sacrificial anode installations. The sacrificial anode installations shall be provided at both ends of casing. The anode installation shall be sized based on the permanent CP design parameters specified for the main pipeline.

The carrier pipe inside casing shall be protected by Zn or Mg ribbon anodes well connected to the outer surface of bottom of carrier pipe extending between hour hand positions of 4 and 8 o' clock. The anodes shall be placed at close intervals as per design calculations and sized based on the permanent CP design parameters. Casings upto 20 mts in length may not be provided additional cathodic protection to carrier pipe bottom inside casing. More than 20 mts length casing additional cathodic protection to carrier pipe bottom shall be provide.

The annulus between the casing and the carrier pipe shall be filled with graded sand/ betonite.

The HDD contractor will arrange an agency to check the coating condition of the casing pipe post erection of HDD so that requisite repairs(if required) are done to the damaged coat.

15 PAINTING

The sheet steel used for fabrication shall be thoroughly cleaned and degreased to remove mill scale, rust, grease and dirt. Fabricated structures shall be pickled and then rinsed to remove any trace of acid. The under surfaces shall be prepared by applying a coat of phosphate paint and a coat of yellow zinc chromate primer. The under surfaces shall be free from all imperfections before undertaking the finished coat. After preparation of the under surface, spray painting with two coats of final paint shall be done. The finished panel shall be dried in oven in dust free atmosphere. Panel finish shall be free from imperfections like pin holes, orange peels, run off paint etc.

All unpainted steel parts shall be cadmium plated to prevent rust formation.

16 CABLES



**TECHNICAL SPECIFICATION
FOR TCP & PCP**

Document No.	Rev
GAIL-STD-CP-DOC-TS-001	0
SHEET 35 of 46	

Cables shall be annealed high conductivity, tinned, stranded copper conductor, PE insulated 650V grade, and PVC sheathed FRLS. The size of the copper conductor shall be 6 sq mm for anode cable from anode to junction box, 10 mm² from junction box to test station, 10 mm² from test station to pipeline. The size of the conductor shall be 4 mm² for potential measurement and 25 mm² for bonding, polarization cell / grounding cell and surge diverter connection purpose. The anode cable from anode to junction box shall be unarmored. The length of anode tail cable shall be sufficient enough to reach junction box (buried) in case of temporary CP anode and up to test station in case of permanent CP anodes.

17 INSTALLATION

17.1 CABLE LAYING

17.2 Cables shall be laid in accordance with approved layout drawings to be prepared by the contractor. No straight through joint shall be permitted in a single run of cable. Cable route shall be carefully measured and cables cut to required length.

17.3 All cables inside station/plant area shall be laid at a depth of 0.75 M. Cables outside station/plant area shall be laid at a depth of 1.5 m . Cables shall be laid in sand under brick cover back filled with normal soil. Out side the station/ plant area the routes shall be marked with polyethylene cable warning mats placed at a depth of 0.9 m from the finished grade.

17.4 All underground unarmoured cables forming part of permanent CP system shall run through PE sleeves. Cables along the pipeline shall be carried along the top of the pipe by securely strapping it with adhesive tape or equivalent as required.

17.5 RCC or GI pipes of proper size shall be provided for all underground cables for road crossings.

17.6 Cables shall be neatly arranged in trenches in such a manner that crisscrossing is avoided and final take off to equipment is facilitated.

17.7 Cable root markers shall be installed overground at suitable intervals.

17.8 In no case cables shall pass from below underground pipeline. All cables shall be placed above underground pipeline and tightened with tape.

17.9 CABLE TO PIPE CONNECTIONS

All cable connections to the pipeline including charged foreign pipeline shall be made using an (owner) approved exothermic process e.g.: Pin Brazing.

The Pin Brazing to have

- | | |
|-------------------------------------|--|
| 1. extremely low Contact Resistance | ≤ 0.1 Ω. |
| 2. Low transition resistance | 7.5 to 14 μΩ per brazed joint |
| 3. High mechanical strength | Binding strength 490 N/mm ² |
| 4. Shear Strength | 245 N/mm ² |
| 5. Brazing Temperature | 650 ^o C |
| 6. Time per Braze | 2 Seconds |
| 7. Weather Effect | Suitable for all weather operation |
| 8. Life | 40 Years + 1 |



**TECHNICAL SPECIFICATION
FOR TCP & PCP**

Document No.	Rev
GAIL-STD-CP-DOC-TS-001	0
SHEET 36 of 46	

Field Test Cable Connection through Pin Brazing to be field tested for contact resistance & Temperature etc.

18 CIVIL WORKS

All civil works associated with the complete cathodic protection work shall be included in the scope of CP contractor. This shall include providing cable trenches, foundation for equipment and all test stations etc.

19 TESTING AND INSPECTION AT WORKS

19.1 Owner/ Owner's representative shall visit the works during manufacture of various equipment [Anodes, Cables, Junction Boxes, Test Lead Points etc.] to assess the progress of work as well as to ascertain that only quality raw material and fabrication technology is used for the same. All necessary assistance during such inspections shall be provided by the contractor/fabricator to owner's representative.

19.2 The minimum testing, inspection requirements for all components/ equipment shall conform to the requirements as defined in the relevant codes and standards. Detailed inspection and testing procedures along with the acceptance criteria, including various stages where hold points, review etc shall be for owners inspection, shall be prepared by CONTRACTOR for Owner's approval.

19.3 Test certificates including test records, performance curves etc. shall be furnished. All test certificates shall be endorsed with sufficient information to identify equipment to which the certificate refers to and must carry project title, owner's name and purchase order details etc.

19.4 Owner reserves the right to ask for inspection of all or any item under the contract and witness all tests and carry out inspection or authorise his representative to witness test and carry out inspection. CONTRACTOR shall notify the Owner or Owner's representative at least 20 days in advance giving exact details of tests, dates and addresses of locations where the tests would be carried out.

20 PACKING AND TRANSPORT

All equipment/ material shall be protected for inland/ marine transport, carriage at site and outdoor storage during transit and at site. All packages shall be clearly, legibly and durably marked with uniform block letters giving the relevant equipment/ material details. Each package shall contain a packing list in a water proof envelope. Copies of the packing list, in triplicate, shall be forwarded to owner prior to despatch. All items of material shall be clearly marked for easy identification against the packing list.

21 SYSTEM TESTING, COMMISSIONING AND INTERFERENCE MITIGATION



**TECHNICAL SPECIFICATION
FOR TCP & PCP**

Document No.

GAIL-STD-CP-DOC-TS-001

SHEET 37 of 46

Rev

0

21.1 SYSTEM TESTING AT SITE

21.2 Contractor shall furnish the detailed field testing and commissioning procedure for approval. Field tests as per the approved procedures shall be carried out on the equipment/ systems before being put into service. The acceptance of the complete installation shall be contingent upon inspection and field test results being satisfactory.

21.3 Before the CP facilities are placed in operation all necessary tests shall be carried out to establish that all equipment, devices, wiring and connection, etc. have been correctly installed, connected and are in good working condition as required for intended operation.

21.4 Owner/Owner's representative may witness all the tests. At least one week's notice shall be given before commencing the tests.

21.5 All tools, equipment and instruments required for testing shall be provided by C P CONTRACTOR.

21.6 Generally following tests shall be carried out and recorded in perform given in subsequent clauses.

Checking: Visual inspection, comparison with drawings and specifications.

Inspection: Detailed physical inspection & Dimensions measurement

Testing: Simulation tests of equipment to determine its operational fitness.

i. **Cables**

- Cable no.
- Voltage grade
- Conductor cross section
- Continuity check
- Voltage test
- Insulation resistance values between core and earth.
- All cables shall be tested by 500 V megger.

ii. **Insulating Joints**

Checking of insulating joint for leakage, before and after energisation of C.P.by means of insulating joint tester. Structure-to-electrolyte potential of both protected and non-protected sides of insulating joint shall be checked before and after energisation of CP system. Grounding cell/Surge diverter shall be connected thereafter.

iii **Polarisation cell**

- Location/ identification number
- Rating
- Check for continuity
- Check for wiring
- Check for standby current drain with CP energisation (current drain with respect to voltage across the device/cell shall be recorded).

iv. **Grounding Cell**



**TECHNICAL SPECIFICATION
FOR TCP & PCP**

Document No.	Rev
GAIL-STD-CP-DOC-TS-001	0
SHEET 38 of 46	

- Location
- Type (no. of anodes)
- Ratings

v. **Surge diverter**

- Location/ identification number
- Ratings
- Check for healthiness

vi **Anode ground beds**

- Location/ test station number
- Current Output of each Anode
- Current output of the ground bed

21.7 COMMISSIONING

21.7.1 Natural pipe to soil potential [P-S-P] shall be measured at each test station [TLP] location prior to connecting anodes to pipeline. The pipe to soil potential observation shall be repeated after connecting the anodes and allowing sufficient time for polarisation. The current output of the anode installation shall also be measured to ensure that it does not exceed the output current capacity of the anodes. In case the anode output current exceeds the rated capacity it shall be controlled by insertion of resistance element in the anode circuit inside test station and the pipe to soil potential shall be rechecked for adequacy of protection. Additional anodes shall be provided where required to achieve desired level of protection [PSP].

Each anode installation shall become individually operational as above.

21.7.2 After connecting all the anode ground beds to pipe line, measurement of pipe to soil potentials shall be taken at each test station [TLP] to ensure adequate conformity to protection criteria.

21.7.3 In case of insufficient protection as per the NACE CP design criteria on any portion of the pipe line, CONTRACTOR shall carry out necessary additions/ modifications to the provided protection in consultation with the ENGINEER so that NACE criteria is met.

21.8 INTERFERENCE MITIGATION

Investigation shall be made by an expert agency with prior experience for stray current electrolysis of the pipeline. Interference due to high voltage DC lines, electric traction & installed CP System of existing underground utilities and make suitable Recommendations so that recommended D.C. Interference Mitigative measures could be installed.

The C.P. Contractor to carry out Interference due to overhead AC lines and install suitable Mitigative measures for AC Interference.

	TECHNICAL SPECIFICATION FOR TCP & PCP	Document No.	Rev
		GAIL-STD-CP-DOC-TS-001	0
		SHEET 39 of 46	

Measurements including pipe to soil potential [PSP] and pipe line current etc. on the pipeline/ structure being CP protected shall be made to investigate the current discharge [into surrounding soil electrolyte] and collection locations.

In case of fluctuating stray currents investigation shall be made continuously over a period of time and if required simultaneously at different locations to find out the stray current source. For long line measurements, data loggers shall preferably be used.

Where foreign pipeline (unprotected or protected by independent CP system) runs in parallel to the pipeline in same trench or very near to the pipeline, and is not bonded to the pipeline then investigation shall be made for current pickup & discharge points on both the pipelines.

Mitigation measures shall be provided depending on type of interference. These shall include installation of bond with variable resistor and diodes, installation of galvanic anodes for auxiliary drainage of current, adjustment/ relocation (if possible) of offending interference source, provision of electrical shield etc. depending on the type of interference.

Between an existing pipeline & upcoming pipeline a concrete raft [size to be approved by owner as per OISD] is to be provided as a barrier. The new pipeline will pass below the existing U/G Pipeline. Bonding with foreign pipeline/ structure as a mitigation measure shall be provided where the owner of the pipeline/ structure has no objection, otherwise alternative mitigation measure shall be provided.

Wherever bonding is provided for mitigation the bonding resistor shall be adjusted for optimum value for minimum / no interference so that no net current flows from one to the other pipeline. Galvanic anodes installed as a mitigation measure shall be sized for the life specified for permanent CP.

22 SYSTEM MONITORING

23.1 The temporary CP system provided shall be monitored at all test stations once in a month for healthiness/ adequacy of protection till commissioning of permanent CP or for design life of temporary CP specified, whichever is less. During this period if any deficiency/ interference in protection system is noticed the same shall be rectified / augmented by additional anodes as required. The monitoring report shall be submitted regularly to owner for his review / information.

23.2 P-C-P system after commissioning shall be monitored by the CP contractor for One Year once a month and During this period if any deficiency/ interference in protection system is noticed the same shall be rectified / augmented by additional fixtures as required.

23 DRAWINGS AND DOCUMENTS

23.1 GENERAL

23.2 Within three weeks from the date of issue of PURCHASER ORDER, CONTRACTOR shall submit four copies of the list of all drawings/ data manuals/procedures for approval, identifying each by a number and descriptive title and giving the schedule date. This list shall be revised and extended, as



**TECHNICAL SPECIFICATION
FOR TCP & PCP**

Document No.	Rev
GAIL-STD-CP-DOC-TS-001	0
SHEET 40 of 46	

23.3 All drawings and documents shall be in English and shall follow metric system. Number of copies of each submission shall be as per Scope of work document.

23.4 CONTRACT DRAWINGS AND DOCUMENTS

23.5 As a part of the contract, drawings and documents shall be furnished which shall include but not be limited to the following:

- a. Report on corrosion survey
- b. Basis of system design and design calculations, equipment selection criteria and sizing calculations.
- c. Bill of material, material requisitions, purchase requisitions.
- d. Quality assurance / Quality control procedures

23.6 Detailed construction drawings (including as built status)

- a. Sacrificial anode fabrication drawings
- b. Typical layout drawing for anode ground bed installation and connection.
- c. Equipment layout, cable layout and schedules.
- d. TLP & Junction Box Erection / Installation Details Drawing
- e. Permanent Cu-CuSO₄ reference electrode installation Drawing
- f. Fabrication, installation details of surge diverter, grounding cell and polarisation cell with its enclosure and housing.
- g. Cable- to-pipe joint details for charged and non charged pipelines.
- h. Incorporation of anode beds, polarisation cell, surge diverters, test stations, etc. and other relevant features of CP system-design in Pipeline alignment sheet and other related drawings.
- i. Identification of section of pipeline affected by interference, source of interference and details of interference mitigation arrangements provided. Various measurement data at all relevant test stations with and without mitigation measures provided.
- j. Detailed commissioning report including various measurement data at all test stations etc.
- k. Vendor drawings and catalogues, test certificates.
- l. Operation and maintenance manual.
- m. Miscellaneous
 - Equipment inspection and testing procedure
 - Construction, installation procedures
 - Field testing and commissioning procedures
 - Procedure for monitoring of Cathodic protection after commissioning
 - Quality control procedures.
 - Post Commissioning Testing/Monitoring Periodicity and Methodology

24 INSTRUMENTS, TOOLS AND SPARES

24.1 CONTRACTOR shall include a List of all instruments, tools and tackles necessary for proper operation and maintenance [O&M], Monitoring of complete Cathodic protection [TCP] [PCP] systems and associated equipment that are to be deployed at site, such as Corrosion Voltmeter, Multi-combination Meter, CPL Survey Data Logger, DCVG Meter, Holiday Detector, Pipe Locator, Elcometer for Coating thickness measurement, CAT survey, Soil resistivity meter etc. duly calibrated by an Owner Approved agency in last six (6) months.

24.2 CONTRACTOR shall provide number of spares and consumables being provided for proper operation and maintenance of part of Cathodic protection [TCP] system to be integrated with permanent CP system [PCP] designed on the basis of permanent CP design parameters and associated equipment, for two (2) years un-interrupted operation of the system.

25 INFORMATION REQUIRED WITH THE BID



**TECHNICAL SPECIFICATION
FOR TCP & PCP**

Document No.

GAIL-STD-CP-DOC-TS-001

SHEET 41 of 46

Rev

0

Bidders are advised in their own interest to provide the following information along with the bid without which the bids are liable for summary rejection.

- A. Work Experience, in detail, Project wise, giving Job content, Year, Status for client etc.
- B. List of Equipments, Tools, Tackles, etc. likely to be deployed at site
 - a. Basis and calculations for preliminary system design for Cathodic protection system [TCP] and [PCP]
 Viz: Surface Area, Protective Current Required, Anode Weight and size required/provisioned, Anode bed type, Coke Breeze/Backfill required/provisioned, Anode bed Loop Resistance, Remoteness adequacy, Surge Re dressal calculated/provisioned, etc.
 - b. List of formulae with legends to be used for detailed system design calculations.
 - c. Basis of system design, design calculations, equipment selection criteria, sizing calculations along with characteristic curves for various equipment.
 - d. Preliminary bill of material [B O M] for major equipment for [TCP] and [PCP].
 - e. Details of the equipment/ material offered along with technical leaflets / related literatures/ catalogues, make, rating, type test certificates.
 - f. Dimension, weight and general arrangement drawings for each offered equipment.
 - g. List of instruments, tools and tackles offered for maintenance and operation.
 - h. List of recommended maintenance / operation spares.
 - i. Clause-wise deviations, if any, to the specifications along with justifications.
 - j. List & Credentials of Crew to be deployed at site and contractors home office.



**TECHNICAL SPECIFICATION
FOR TCP & PCP**

Document No.	Rev
GAIL-STD-CP-DOC-TS-001	0
SHEET 42 of 46	

APPENDIX A

COMPUTERISED TEST STATION UNITS (CTSUs) FOR CATHODIC PROTECTION PERFORMANCE MONITORING

Each CTSU (Computerised Test Station Unit) is a Microprocessor based low CMOS circuitry with built in RTC, installed near a Computerised Test Station to acquire and store the complete CP System performance data available for each Test station. CTSUs are typically designed for outdoor applications and are NEMA4 protected.

Once stored, the data can be downloaded as under:

- a) By a remote computer by telephone, cellular phone or radio link/OFC.
- b) By portable handheld data reader using local communication port.

Key features of the CTSU are as under:

1.	Recording Rate	To be configured from 1 reading per second to 1 reading per 365 days.
2.	Battery backup	Lithium battery back up option allowing CTSU ECU to retain data for 10 years on a single charge.
3.	Timing	Status input sampling time 10m sec to 2.5 m-sec.
4.	Power requirement	The CTSU to be powered by 24 \pm 15% Volts DC
5.	The CTSU shall be able to read and record.	PSP and current data of pipeline & foreign pipeline/pipelines upto 10,000 sets to be stored till downloaded
6.	Inputs available	Minimum 10 nos. [5 inputs for PSP & 5 inputs for current.]
7.	Protection against	Voltage/current surges expected along the pipeline & foreign structure.
8.	Test Station Reader (TSR)	Portable type suitable for field transport & handling. Unit enclosure is weather proof, IP55.
9.	Input battery for TSR	Internal rechargeable battery provided.

To be installed at pre-identified locations

	TECHNICAL SPECIFICATION FOR TCP & PCP	Document No.	Rev
		GAIL-STD-CP-DOC-TS-001	0
		SHEET 43 of 46	

APPENDIX-B

POST C.P. COMMISSIONING SURVEYS

1. COATING CONDUCTANCE SURVEYS

For evaluation of the electrical strength of the coating, post commissioning of the C.P. System, after one (1) Month, Coating Conductance surveys to be conducted, to serve as Reference for future comparison. Although same coating specifications are used throughout the length of the pipeline, effective electrical strength thereby it's ability to resist flow of current would reasonably vary on account of terrain, construction defects, soil resistivity along the Pipeline length.

For conducting coating conductance surveys, Potential (ΔV) & (ΔI) Current are to be measured at two consecutive "B" type Test Lead Points [TLP], w.r.t remote earth using $CuCuSO_4$ reference electrode, alternatively with current interrupter "On" & "Off" at each measurement point.

The difference of the two ΔI will be the C.P. Current being collected by this section of the pipeline. The difference of the two ΔV will be the average change in pipeline potential within the test section owing the current received from C.P. System.

The above procedure to be repeated for all "B" type TLP for evaluating coating conductance value for different sections along the pipeline. All the Data obtained is to be handed over to the owner & will form part of final Technical Documentation.

Before commencement of site surveys the survey procedure shall be got duly approved from the Owner.

2. CURRENT ATTENUATION TEST (CAT) SURVEY

Current attenuation test (Cat) survey for impressed current cathodic protection service for underground Gas pipelines. To identify of pipeline sections where coating is good and bad, To pinpoint coating defect in pipeline sections where coating is bad with Use of 'PCM'- A frame equipment, To give accurate coating defect locations for future coating repairs, To size the defects by standard method, Classify defects as Anodic or Cathodic.

Vendor shall carryout Pipeline current mapping followed by A frame survey at pipeline sections where coating is suspected to be damaged. Vendor shall also make coating defect co-ordinates drawing for subsequent coating repairs.

The survey need to be carried out by the Instrument "Pipeline Current Mapper" or any other equivalent equipment.

The survey along the pipeline should be carried out after duly identifying the pipeline alignment using the instrument's peak and null modes of operation. The pipeline alignment should be identified using temporary markers, at defined distance intervals. This shall facilitate retracing back high current attenuation locations for PCM-'A' frame survey.

Distance of survey traverse - survey Chainage shall be accurately measured with tape for accurate demarcation of the coating fault. The same shall be re matched with Pipeline marker Chainage /TLP Chainage, at regular intervals to avoid accumulation of error of measurement.

Prior to commencement of **CAT** survey, the survey procedure to be got approved from the Owner. Only Good & Proven survey equipment and trained, experienced manpower to be used. All survey Data to be submitted to Owner as part of Technical Documentation.



TECHNICAL SPECIFICATION
FOR TCP & PCP

Document No.

GAIL-STD-CP-DOC-TS-001

SHEET 44 of 46

Rev

0

3. DCVG SURVEY

Post commissioning of the C.P. System, after 30 days of Line polarization, CPL Survey will be conducted for evaluation of coating condition to serve as future Benchmark for comparative evaluation.

Any finding of coating defect in particular, where coating defects and holidays are high, have to be further established through a separate **DCVG** survey for the defective stretch delineated as above from CPL survey findings.

Prior to commencement of **DCVG** survey, the survey procedure to be got approved from the Owner. Only Good & Proven survey equipment and trained, experienced manpower to be used. All survey Data to be submitted to Owner as part of Technical Documentation.

3. COMPUTERIZED POTENTIAL LOGGING [CPL] SURVEY

Post commissioning of the C.P. System, after 30 days of Line polarization, a Computerized Potential Logging [CPL] survey will be conducted, as per procedure, already got approved by the Owner. The "On"/"Off" Potential survey. For the survey, Data Logger of repute & Current interrupter [if not available in the TRU] will be used by experienced and trained manpower. All the survey data and findings of under-protected, over-protected zones, short etc. shall be handed over to the owner as part of final technical Documentation. Suitable remediation measures to be recommended for achieving adequacy of protection throughout the pipeline length. This CPL survey Data will serve as base Data for future comparative evaluations of the Protective system adequacy.

4. A.C. /D.C. INTERFERENCE DETECTION & MITIGATION

Post commissioning of the C.P. System, after 30 days of Line polarization, an AC / DC Interference survey to detect presence (or absence) of induced AC Voltages [which in certain circumstances may be fatal] on the underground pipeline that run parallel to AC transmission systems [having voltages greater than or equal to ≥11KV] shall be carried out. Measurement of P-S-P shall be taken at every TLP of the pipeline that run parallel to overhead AC transmission lines and are within 20 M of transmission line alignment. On detection of AC induced Hazardous voltages suitable Mitigative measures such as grounding of the pipeline with Zn / Mg Grounding cell, installation of Polarization cell etc. shall be resorted to dissipate Ac induced hazardous voltages to ground in controlled manner. Type "A" TLP shall be provided at these locations having AC induced Hazardous voltages on the pipeline.

DC Interference Detection from existing CP system in close vicinity of ROW and any other DC source such as electric traction, switching yard, welding shop etc. Appropriate measures for mitigation to be recommended for installation by CP contractor.

Prior to site survey commencement, the Approval for survey procedure, from the Owner, shall be taken.

Σ Σ Σ



**TECHNICAL SPECIFICATION
FOR TCP & PCP**

Document No.	Rev
GAIL-STD-CP-DOC-TS-001	0
SHEET 45 of 46	

APPENDIX-C

INTERFACING WITH SCADA

Cathodic Protection (CP) panel shall be properly interfaced with RTU through RS 485 serial link for various signals like pipeline under protection, pipeline overprotection, all reference fail, unit working in auto mode, unit working in AVCC mode, unit working in local / remote mode, setting of DC O/P voltage, setting of DC output current, setting of Pipe soil potential (PSP), setting of auto / AVCC mode. CONTRACTOR to note that SCADA vendor shall provide RS 485 serial link at the RTUs for interfacing with CP system. Hence, CONTRACTOR shall also provide RS 485 serial link (Modbus ASCII & Modbus RTU protocol which shall be user selectable). The digital and analog data shall be made available to RTU (SCADA) and it shall be mapped in the contiguous registers so that data can be fetched / written in minimum transactions.

CONTRACTOR shall furnish all details like pin configuration and signal wise MODBUS address mapping list etc. for smooth interfacing of this communication link with RTU (SCADA).

CONTRACTOR shall also furnish the details of implemented MODBUS protocol like function codes for read and write, CRC implementation, BCC implementation, register addressing methods / mapping etc. during detail engineering for serial interfaces with RTU (SCADA).

The following hardwired signals shall be taken from CP system to SCADA system (however hardwired cables shall be routed through PLC cabinet):

- PSP Value
- Impressed Voltage
- Impressed Current
- Start / Stop of Current Interrupter



TECHNICAL SPECIFICATION FOR TCP & PCP

Document No.

GAIL-STD-CP-DOC-TS-001

SHEET 46 of 46

Rev

0



GAIL INDIA LIMITED



DATA SHEET FOR CATHODIC SYSTEM

TOTAL SHEETS

04

DOCUMENT NO.:

GAIL-STD-CP-DOC-DS-001

REV	DATE	DESCRIPTION	PREP	CHK	APPR
0	20.11.19	ISSUED FOR BID	SR	TR	SB

**TECHNICAL DATA SHEET
FOR
CATHODIC PROTECTION SYSTEM**

1.0 E/R Probes :

- 1.1 Make and model no. of E/R probe : -----
 1.2 Material of E/R probe : -----
 1.3 Size of the exposed area of the probe : -----
 1.4 Make and mode no. of E/R probe : -----
 reading instrument

2.0 Permanent reference electrodes :

- 2.1 Make & model no. : -----
 2.2 Design life of electrode under burial condition : ----- Years

3.0 Polarisation cells :

- 3.1 Type : -----
 3.2 Make & model no. : -----
 3.3 Maximum DC leakage current at 40 degree C at
 - 1V DC across the Polarisation cell : ___ mA
 - 1.5V DC across the Polarisation cell: ___ mA
 - 2.0V DC across the Polarisation cell: ___ mA
 3.4 50 Hz AC current rating at 40o C
 - Continuous : ___ A
 - Short time : ___ KA for ___ sec
 3.5 Rated no. of operations over life time
 under maximum ratings ___ Nos.

4.0 Polarisation Coupons :

- 4.1 Exposed area of metal : -----
 4.2 Metal type : -----
 4.3 Make and model no. of reed switch : -----
 4.4 Make and model no. of
 reed switch operator
 magnet :
 4.5 Rating of reed switch :
 -Continuous current rating : ___ A DC, at _ V DC
 -Breaking current : ___ A DC, at ___ V DC



**DATA SHEET FOR CATHODIC PROTECTION
SYSTEM**

Document No.

Rev

GAIL-STD-CP-DOC-DS-001

0

SHEET 2 of 4

5.0 Surge Diverters :

5.1 Type : -----

5.2 Ratings : -----

5.2.1 Current, 8/20 micro second wave :

5.2.2 AC spark over voltage

-50Hz AC :

-Impulse(1.2/50 micro second) :

5.3 Make :

6.0 Cables :

6.1 Type and voltage grade :

-For anode tail cables : ___ / ___ V

-For other CP cables : ___ / ___ V

6.2 Make :

-For anode tail cables :

-For other CP cables :

7.0 Cable to pipe connection :

- For charged pipeline :

- For non charged pipeline :

-7.1 Make and model number of

- Cad weld Material :

- Pin brazing equipment :

8.0 Anode type and make :

8.1 Impressed current anodes

- Type :

- Make :

8.2. Sacrificial anodes make –

- Zinc anodes :

-Zinc ribbon anodes :

9.0 TR Unit :

9.1 CPTR unit :

9.2 CPPSM :

9.3 Test stations :

9.4 Anode junction box :

9.5 Cathode junction box :



DATA SHEET FOR CATHODIC PROTECTION SYSTEM

Document No.

Rev

GAIL-STD-CP-DOC-DS-001

0

SHEET 3 of 4

9.6 Calcined petroleum coke breeze :

9.7 Permanent reference

electrodes -

CuCuSO₄ type :

-Ag-AgCl type :

9.8 Special Backfill for sacrificial anodes:

9.9 Make :



**DATA SHEET FOR CATHODIC PROTECTION
SYSTEM**



Document No.



Rev

GAIL-STD-CP-DOC-DS-001

0

SHEET 4 of 4

	QUALITY ASSURANCE PLAN FOR TEST STATIONS					
PROJECT						
OWNER	GAIL INDIA LIMITED					
PROJECT NO		DATE:-				
TPIA						
CONSULTANT						
CONTRACTOR						
CP CONTRACTOR						
QAP NO.	GAIL-STD-CP-DOC-QAP-001	REV.	0			
REFERENCE SPECIFICATION						
REFERENCE DESIGN DOCUMENT						
REFERENCE DATA SHEET						
REFERENCE DRAWING						
VENDOR						
DESCRIPTION / TYPE OF INSPECTION	REFERENCE DOCUMENT	FORMAT OF RECORD	INSPECTION BY			Remarks
			M	TPIA	GAIL	
Compliance with approved Drawing & Data sheet (Manufacturer, type & Model)	Approved Drawing & Data Sheet	Inspection Report	P	W	W	
Visual Inspection: 100%	Approved Drawing & Data Sheet	Inspection Report	P	W	W	
Dimensional Check: 25%	Approved Drawing	Inspection Report	P	W	W	
fitness test, terminal to body resistance. Randomly	Approved Drawing & Data Sheet	Inspection Report	P	W	W	
Thickness Check :25%	Approved Drawing	Inspection Report	P	W	W	
Terminals to TS Body	Approved Drawing & Data Sheet	Inspection Report	P	W	W	
Manufacturer Test Certificate (IP 55)	Approved Drawing & Data Sheet	IP 55 Test Certificate	S	R	R	
Document / Marking	Approved Drawing & Data Sheet	IRN	H	P	R	
LEGEND: P-PERFORM, W-WITNESS ALL, S-SUBMITTED BY, R-REVIEWED BY, H-HOLD M-Manufacturer C-Contractor TPIA-Third Party Inspection Agency H-Hold						



		QUALITY ASSURANCE PLAN FOR CP CABLE				
PROJECT						
OWNER		GAIL INDIA LIMITED				
PROJECT NO				DATE:-		
TPIA						
CONSULTANT						
CONTRACTOR						
CP CONTRACTOR						
QAP NO.		GAIL-STD-CP-DOC-QAP-001		REV. 0		
REFERENCE SPECIFICATION						
REFERENCE DESIGN DOCUMENT						
REFERENCE DATA SHEET						
REFERENCE DRAWING						
VENDOR						
DESCRIPTION / TYPE OF INSPECTION	REFERENCE DOCUMENT	FORMAT OF RECORD	INSPECTION BY			Remarks
			M	C	TPIA	
Compliance with approved Data sheet (Manufacturer, type)	Approved Data Sheet	Inspection Report	P	W	W	
Visual Inspection: 100%	Approved Data Sheet	Inspection Report	P	W	W	
Voltage Test, Conductor Cross Section, Insulation Test -100%	Approved Data Sheet	Inspection Report	P	W	W	
Continuity Check- Randomly	Approved Data Sheet					
Voltage Grade - Randomly	Technical specification	Test Report	P	W	W	
Type Test -100%	As per ref. Standard	Test Report	P	W	W	
Manufacturer Test Reports	Approved Data Sheet	Test Report	P	W	P	
Document / Marking	Approved Data Sheet	IRN	H	P	R	
LEGEND: P-PERFORM, W-WITNESS ALL, S-SUBMITTED BY, R-REVIEWED BY, H-HOLD M-Manufacturer C-Contractor TPIA-Third Party Inspection Agency H-Hold						



**QUALITY ASSURANCE PLAN FOR POLARISATION
CELL**



PROJECT							
OWNER		GAIL INDIA LIMITED					
PROJECT NO				DATE:-			
TPIA							
CONSULTANT							
CONTRACTOR							
CP CONTRACTOR							
QAP NO.		GAIL-STD-CP-DOC-QAP-001		REV.		0	
REFERENCE SPECIFICATION							
REFERENCE DESIGN DOCUMENT							
REFERENCE DATA SHEET							
REFERENCE DRAWING							
VENDOR							
DESCRIPTION / TYPE OF INSPECTION		REFERENCE DOCUMENT	FORMAT OF RECORD	INSPECTION BY			Remarks
				M	TPIA	GAIL	
Compliance with approved Drawing & Data sheet (Manufacturer, type & Model)		Approved Data Sheet & Design Specification Inspection Report	Inspection Report	P	W/R	W/R	
Manufacturer Test Report		Approved Data Sheet & Design Specification Test Certificate	Test Certificate	P	R	R	
Inspection Release Note		IRN		H	P	R	
LEGEND: P-PERFORM, W-WITNESS ALL, S-SUBMITTED BY, R-REVIEWED BY, H-HOLD M-Manufacturer C-Contractor TPIA-Third Party Inspection Agency H-Hold							

	QUALITY ASSURANCE PLAN FOR PERMANENT REFERENCE CELL (Ag/Agcl)					
PROJECT						
OWNER	GAIL INDIA LIMITED					
PROJECT NO		DATE:-				
TPIA						
CONSULTANT						
CONTRACTOR						
CP CONTRACTOR						
QAP NO.	GAIL-STD-CP-DOC-QAP-001	REV.	0			
REFERENCE SPECIFICATION						
REFERENCE DESIGN DOCUMENT						
REFERENCE DATA SHEET						
REFERENCE DRAWING						
VENDOR						
DESCRIPTION / TYPE OF INSPECTION	REFERENCE DOCUMENT	FORMAT OF RECORD	INSPECTION BY			Remarks
			M	TPIA	GAIL	
Compliance with approved Drawing & Data sheet (Manufacturer, type & Model)	Approved Data Sheet & Drawing	Inspection Report	P	W / R	W/R	
Visual Inspection 100%	Approved Data Sheet & Drawing/ Technical specification		P	W / R	W/R	
Manufacturer Certificates	Approved Data Sheet & Drawing	Test Certificate	Submission	R	R	
Inspection Release Note	IRN		H	P	R	
LEGEND: P-PERFORM, W-WITNESS ALL, S-SUBMITTED BY, R-REVIEWED BY, H-HOLD M-Manufacturer C-Contractor TPIA-Third Party Inspection Agency H-Hold						



**QUALITY ASSURANCE PLAN FOR COMPUTERIZED
TEST STATION UNIT**



PROJECT			
OWNER	GAIL INDIA LIMITED		
PROJECT NO		DATE:-	
TPIA			
CONSULTANT			
CONTRACTOR			
CP CONTRACTOR			
QAP NO.	GAIL-STD-CP-DOC-QAP-001	REV.	0
REFERENCE SPECIFICATION			
REFERENCE DESIGN DOCUMENT			
REFERENCE DATA SHEET			
REFERENCE DRAWING			
VENDOR			

DESCRIPTION / TYPE OF INSPECTION	REFERENCE DOCUMENT	FORMAT OF RECORD	INSPECTION BY			Remarks
			M	C	TPIA	
Compliance with approved Drawing & Data sheet (Manufacturer, type & Model)	Approved Data Sheet & Drawing	Inspection Report	P	W / R	W/R	
Manufacturer Certificates	Approved Data Sheet & Drawing	Test Certificate	Submission	R	R	
Inspection Release Note	IRN		H	H	P	

LEGEND: P-PERFORM, W-WITNESS ALL, S-SUBMITTED BY, R-REVIEWED BY, H-HOLD M-Manufacturer C-Contractor TPIA-Third Party Inspection Agency H-Hold



QUALITY ASSURANCE PLAN FOR MMO ANODE



PROJECT			
OWNER	GAIL INDIA LIMITED		
PROJECT NO		DATE:-	
TPIA			
CONSULTANT			
CONTRACTOR			
CP CONTRACTOR			
QAP NO.	GAIL-STD-CP-DOC-QAP-001	REV.	0
REFERENCE SPECIFICATION			
REFERENCE DESIGN DOCUMENT			
REFERENCE DATA SHEET			
REFERENCE DRAWING			
VENDOR			

DESCRIPTION / TYPE OF INSPECTION	REFERENCE DOCUMENT	FORMAT OF RECORD	INSPECTION BY			Remarks
			M	TPIA	GAIL	
Compliance with approved Drawing & Data sheet (Manufacturer, type &Model) ALL	Approved Data Sheet	Inspection Report	P	W	W	
Diamentional Check ALL	Approved Drawing & Data Sheet	Inspection Report	P	W	W	
Electrical Test , coating consumption rate ALL	Approved Drawing & Data Sheet	Inspection Report	P	W	W	
Leak proof test (Helium Test), cable length, coating resistivity & Coating thickness Randomly	Approved Drawing & Data Sheet	Inspection Report	P	W	W	
Inspection as per below attached vendor's ITP ALL	Vendor's ITP is attached below	Inspection Report	P	R	R	
Document / Marking ALL	Approved Drawing & Data Sheet	IRN	H	P	R	



LEGEND: P-PERFORM, W-WITNESS ALL, S-SUBMITTED BY, R-REVIEWED BY, H-HOLD M-Manufacturer C-Contractor TPIA-Third Party Inspection Agency H-Hold







QUALITY ASSURANCE PLAN FOR PIPE CONNECTION





PROJECT						
OWNER	GAIL INDIA LIMITED					
PROJECT NO		DATE:-				
TPIA						
CONSULTANT						
CONTRACTOR						
CP CONTRACTOR						
QAP NO.	GAIL-STD-CP-DOC-QAP-001	REV.	0			
REFERENCE SPECIFICATION						
REFERENCE DESIGN DOCUMENT						
REFERENCE DATA SHEET						
REFERENCE DRAWING						
VENDOR						
DESCRIPTION / TYPE OF INSPECTION	REFERENCE DOCUMENT	FORMAT OF RECORD	INSPECTION BY			Remarks
			M	C	TPIA	
Compliance with approved Drawing & Data sheet (Manufacturer, type & Model)	Approved Data Sheet & Drawing	Inspection Report	P	W / R	W/R	
Manufacturer Certificates	Approved Data Sheet & Drawing	Test Certificate	Submi ssion	R	R	
LEGEND: P-PERFORM, W-WITNESS ALL, S-SUBMITTED BY, R-REVIEWED BY, H-HOLD M-Manufacturer C-Contractor TPIA-Third Party Inspection Agency H-Hold						

		QAP FOR TRANSFORMER UNIT									
PROJECT							REV. NO.-		0		
CLIENT		GAIL INDIA LIMITED					RATING AND QUANTITY				
PMC							DATE:-				
CONTRACTOR							P.O DATE				
MANUFACTURER											
P.O NO.											
QAP NO.		GAIL-STD-CP-DOC-QAP-001									
REF. DOC.											
Sr.No.	Item/ Component	Characteristics	Type of Check	Extent of Work	Reference Document	Acceptance Norms	Format of Record	Agency			REMARKS
								M	TPIA	GAIL	
1	BOUGHT OUT ITEMS										
1	Receiving Inspection for Fabricated	1. Physical Check	Measuring Tape	100%	Approved Drawing Manufacturer specification	Incoming Test Certificate	Incoming Test Certificate	P	R	R	
		2 Physical damage if any.	Physical Test	1 in Lot				P			
		3 Verification with Manufacturer specification.	Verification of Test Certificate		Approved Drawing			P	R	R	
1.2	Receiving Inspection of Meters,PCB'S,Semiconductor & Electrical Items	1. Dimensions, Size	Functional test 2.Mechanical/Ele ctrical Measurement	sampling 10%	Approved Drawing Manufacturer specification	Test Report	1.Manufacturer Test Report 2.Incoming Test Report	P	R	R	
		2. Electrical Parameters		1 in Lot				P	W	W	
1.3	Sub assembly-Transformer,Choke,	1. Insulation Test 2. No Load Test		100%	Approved drawing	Test Certificate	Test Certificate	P	R	R	
1.4	Sub assembly- Timer-Inspection & Test	1. Visual inspection 2. Functional Test 3. Internal settings	Functional test 2.Mechanical/Ele ctrical	100%	Approved drawing	Test Certificate	Test Certificate	P	R	R	
1.5	Assembly Process	1. Electrical wiring and tightness of all connections 2. Labeling and Marking	Measurement Visual	100%	Approved drawing	Test Report	Test Report	P	R	R	
1.6	Auxiliary device check	Verification as per BOM	Visual	100%	Approved Drawing	Test Report	Test Report	P	R	R	
1.7	Insulation Test	Insulation and High Voltage Test between primary to Earth,Secondary to Earth and/or Primary to secondary	Electrical Measurement	100%	Approved Drawing	Test Report	Test Report	P	R	R	
1.8	Sub/assembly-control card Inspection & Test	1. Visual inspection 2. Functional Test	Functional Test	100%	Approved Drawing	Test Report	Test Report	P	R	R	
1.9	Heat Run Test	Heat run at at rated Load for at least 12/16 Hrs with Temperature measurement on all power devices and Magnetics at the end of test	Electrical Test & Inspection	100%	1.Approved Drawing 2.Approved Specification	Test Report	Test Report	P	R	R	

		QAP FOR TRANSFORMER UNIT									
PROJECT							REV. NO.-		0		
CLIENT		GAIL INDIA LIMITED					RATING AND QUANTITY				
PMC							DATE:-				
CONTRACTOR							P.O DATE				
MANUFACTURER											
P.O NO.											
QAP NO.		GAIL-STD-CP-DOC-QAP-001									
REF. DOC.											
Sr.No.	Item/ Component	Characterstics	Type of Check	Extent of Work	Reference Document	Acceptance Norms	Format of Record	Agency			REMARKS
								M	TPIA	GAIL	
FINAL TEST											
		6. Continuity (ON-OFF)	Electrical	100%				P	R	R	
2	Functional Test of Unit	1. Visual Inspection 2. Insulation Test 3. Operation in Manual Mode 4. Operation in AVCC & Voltage/current. 5. Regulation 6. Operation in Auto and PSP regulation 7. Ripple content in DC Output 8. Indication and alarm 9. Remote signal and Potentrial free contacts Conveter and Timer(if any)10.HV 11. Annuciation	Inspection	100%	1.Approved Drawing. 2. Approved Specification.	Test Report	Test Report	P	W	W	
2.1	Heat Run Test	10.Efficiency/power factor Heat run at at rated Load for at least 8 Hrs with Temperature measurement on all power devices and Magnetics at the end of test	Electrical Test & Inspection	40%	1.Approved Drawing 2.Approved Specification	Test Report	Test Report	P	W/R	W/R	
5	Inspection Release Note					GAIL Specificati on	GAIL Specificati on	H	P	R	
6	Documents to be Sumitted at time of Dispatch and Packing	10.1Warranty Certificate						P	R	R	
		10.2 Operation Manual						P	R	R	
LEGEND: P-PERFORM, W-WITNESSE, S-SUBMITTED, R-REVIEW OF RECORDS, H-HOLD, M-MANUFACTURER, C-CONTRACTOR, TPIA-THIRD PARTY INSPECTION AGENCY											

		QUALITY ASSURANCE PLAN FOR PLAN SURGE DIVERTER				
PROJECT						
OWNER GAIL INDIA LIMITED						
PROJECT NO					DATE:-	
TPIA						
CONSULTANT						
CONTRACTOR						
CP CONTRACTOR						
QAP NO. GAIL-STD-CP-DOC-QAP-001					REV. 0	
REFERENCE SPECIFICATION						
REFERENCE DESIGN DOCUMENT						
REFERENCE DATA SHEET						
REFERENCE DRAWING						
VENDOR						
DESCRIPTION / TYPE OF INSPECTION	REFERENCE DOCUMENT	FORMAT OF RECORD	INSPECTION BY			Remarks
			M	TPIA	GAIL	
Compliance with approved Drawing & Data sheet (Manufacturer, type & Model)	Approved Data Sheet & Drawing	Inspection Report	P	W / R	W/R	
Manufacturer TEST Report	Approved Data Sheet & Drawing	Test Certificate	P	R	R	
Inspection Release Note	IRN		H	P	R	
LEGEND: P-PERFORM, W-WITNESS ALL, S-SUBMITTED BY, R-REVIEWED BY, H-HOLD M-Manufacturer C-Contractor TPIA-Third Party Inspection Agency						



	QUALITY ASSURANCE PLAN FOR ER PROBE & ER PROBE READER					
PROJECT						
OWNER	GAIL INDIA LIMITED					
PROJECT NO		DATE:-				
TPIA						
CONSULTANT						
CONTRACTOR						
CP CONTRACTOR						
QAP NO.	GAIL-STD-CP-DOC-QAP-001	REV.	0			
REFERENCE SPECIFICATION						
REFERENCE DESIGN DOCUMENT						
REFERENCE DATA SHEET						
REFERENCE DRAWING						
VENDOR						
DESCRIPTION / TYPE OF INSPECTION	REFERENCE DOCUMENT	FORMAT OF RECORD	INSPECTION BY			Remarks
			M	C	TPIA	
Compliance with approved Drawing & Data sheet (Manufacturer, type & Model)	Approved Data Sheet & Drawing	Inspection Report	P	W / R	W/R	
Manufacturer Certificates	Approved Data Sheet & Drawing	Test Certificate	Submission	R	R	
Inspection Release Note	IRN		H	H	P	
LEGEND: P-PERFORM, W-WITNESS ALL, S-SUBMITTED BY, R-REVIEWED BY, H-HOLD M-Manufacturer C-Contractor TPIA-Third Party Inspection Agency						







**QUALITY ASSURANCE PLAN FOR PERMANENT
REFERENCE CELL (Cu/CuSo4)**



PROJECT						
OWNER	GAIL INDIA LIMITED					
PROJECT NO		DATE:-				
TPIA						
CONSULTANT						
CONTRACTOR						
CP CONTRACTOR						
QAP NO.	GAIL-STD-CP-DOC-QAP-001	REV.	0			
REFERENCE SPECIFICATION						
REFERENCE DESIGN DOCUMENT						
REFERENCE DATA SHEET						
REFERENCE DRAWING						
VENDOR						
DESCRIPTION / TYPE OF INSPECTION	REFERENCE DOCUMENT	FORMAT OF RECORD	INSPECTION BY			Remarks
			M	C	TPIA	
Compliance with approved Drawing & Data sheet (Manufacturer, type & Model)	Approved Data Sheet & Drawing	Inspection Report	P	W / R	W/R	
Manufacturer Certificates	Approved Data Sheet & Drawing	Test Certificate	Submission	R	R	
Inspection Release Notee		IRN	H	H	P	
LEGEND: P-PERFORM, W-WITNESS ALL, S-SUBMITTED BY, R-REVIEWED BY, H-HOLD M-Manufacturer C-Contractor TPIA-Third Party Inspection Agency						

	QUALITY ASSURANCE PLAN FOR SECRIFICIAL ZINC ANODE					
PROJECT						
OWNER	GAIL INDIA LIMITED					
PROJECT NO				DATE:-		
TPIA						
CONSULTANT						
CONTRACTOR						
CP CONTRACTOR						
QAP NO.	GAIL-STD-CP-DOC-QAP-001			REV.	0	
REFERENCE SPECIFICATION						
REFERENCE DESIGN DOCUMENT						
REFERENCE DATA SHEET						
REFERENCE DRAWING						
VENDOR						
DESCRIPTION / TYPE OF INSPECTION	REFERENCE DOCUMENT	FORMAT OF RECORD	INSPECTION BY			Remarks
			M	TPIA	GAIL	
Compliance with approved Drawing & Data sheet (Manufacturer, type & Model)	Approved Drawing & Data Sheet	Inspection Report	P	W/R	W/R	
Inspection	Approved Drawing & Data Sheet	Inspection Report	P	W/R	W/R	
a. Surface 100 %, Length \pm 2.5 %, Width/ Thickness \pm 5%						
b. Visual : Longitudinal cracks of more than 40 mm long and 3 mm deep not acceptable						
c. Weight tolerance: + %5 (Total weight of all anodes shall not have negative tolerance)						
Radiographic Test	Approved Drawing & Data Sheet	Test Report	P	W/R	W/R	
One anode per heat shall be subjected to radiography to evaluate cracks, voids, slack inclusion etc.						
Destructive Testing	Approved Drawing & Data Sheet	Test Report	P	R	W	
One anode per heat shall be subjected to destructive testing for slag inclusions, bond between anode and insert.						

	QUALITY ASSURANCE PLAN FOR SECRIFICIAL ZINC ANODE					
PROJECT						
OWNER	GAIL INDIA LIMITED					
PROJECT NO					DATE:-	
TPIA						
CONSULTANT						
CONTRACTOR						
CP CONTRACTOR						
QAP NO.	GAIL-STD-CP-DOC-QAP-001				REV.	0
REFERENCE SPECIFICATION						
REFERENCE DESIGN DOCUMENT						
REFERENCE DATA SHEET						
REFERENCE DRAWING						
VENDOR						
DESCRIPTION / TYPE OF INSPECTION	REFERENCE DOCUMENT	FORMAT OF RECORD	INSPECTION BY			Remarks
			M	TPIA	GAIL	
be subjected to destructive testing for slag inclusions, bond between anode and insert.	Approved Drawing & Data Sheet	Test Report	P	R	R	
Chemical Analysis; One anode sample per heat by Spectrography Sample in the beginning for first heat, end of second heat, at the beginning of third heat and so on.	Approved Drawing & Data Sheet	Test Report	P	R	R	
Mass per liner meter ALL	Approved Drawing & Data Sheet	Test Report	P	R	W	
Anode to core resistance Randomly	Approved Drawing & Data Sheet	Test Report	P	R	W	
Electrochemical Test	Approved Drawing & Data Sheet	Test Report	R	R	W	
a.)Open circuit potential shall lie within (+) 10 mV and (-) 50 mV of the guaranteed value.						
b.)Consumption rate by weight loss method (consumption rate shall not be more than the specified value).						
All the above Manufacturer Test Reports	Approved Drawing & Data Sheet	Test Report	Submis sion	R	W	
Document / Marking	Approved Drawing & Data Sheet	IRN	H	P	R	
LEGEND: P-PERFORM, W-WITNESS ALL, S-SUBMITTED BY, R-REVIEWED BY, H-HOLD M-Manufacturer C-Contractor TPIA-Third Party Inspection Agency						

	QUALITY ASSURANCE PLAN FOR CATHODE JUNCTION BOX					
PROJECT						
OWNER	GAIL INDIA LIMITED					
PROJECT NO					DATE:-	
TPIA						
CONSULTANT						
CONTRACTOR						
CP CONTRACTOR						
QAP NO.	GAIL-STD-CP-DOC-QAP-001				REV.	0
REFERENCE SPECIFICATION						
REFERENCE DESIGN DOCUMENT						
REFERENCE DATA SHEET						
REFERENCE DRAWING						
VENDOR						
DESCRIPTION / TYPE OF INSPECTION	REFERENCE DOCUMENT	FORMAT OF RECORD	INSPECTION BY			Remarks
			M	C	TPIA	
Compliance with approved Drawing & Data sheet (Manufacturer, type & Model)	Approved Drawing & Data Sheet	Inspection Report	P	W	w	
Visual Inspection ALL	Approved Drawing & Data Sheet	Inspection Report	P	W	W	
Dimensional Check, Physical verification, locking , painting ALL	Approved Drawing & Data Sheet	Inspection Report	P	W	W	
Fitness Test Randomly	Approved Drawing & Data Sheet	Inspection Report	P	W	W	
Thickness check, Terminal to body check ALL	Approved Drawing & Data Sheet	Inspection Report	P	W	W	
Manufacturer Test Certificate (IP 55) ALL	Approved Drawing & Data Sheet	Test Report	Submission	R	R	
Document/Marking	Approved Drawing & Data Sheet	IRN	H	H	P	
LEGEND: P-PERFORM, W-WITNESS ALL, S-SUBMITTED BY, R-REVIEWED BY, H-HOLD M-Manufacturer C-Contractor TPIA-Third Party Inspection Agency						



**QUALITY ASSURANCE PLAN FOR ANODE JUNCTION
BOX**



PROJECT							
OWNER	GAIL INDIA LIMITED						
PROJECT NO					DATE:-		
TPIA							
CONSULTANT							
CONTRACTOR							
CP CONTRACTOR							
QAP NO.	GAIL-STD-CP-DOC-QAP-001				REV.	0	
REFERENCE SPECIFICATION							
REFERENCE DESIGN DOCUMENT							
REFERENCE DATA SHEET							
REFERENCE DRAWING							
VENDOR							
DESCRIPTION / TYPE OF INSPECTION		REFERENCE DOCUMENT	FORMAT OF RECORD	INSPECTION BY			Remarks
				M	TPIA	GAIL	
Compliance with approved Drawing & Data sheet (Manufacturer, type & Model)	ALL	Approved Drawing & Data Sheet	Inspection Report	P	W	W	
Visual Inspection	ALL	Approved Drawing & Data Sheet	Inspection Report	P	W	W	
Dimensional Check, Physical verification, locking , painting	ALL	Approved Drawing & Data Sheet	Inspection Report	P	W	W	
Fitness Test	Randamly	Approved Drawing & Data Sheet	Inspection Report	P	W	W	
Thickness check, Terminal to body check	ALL	Approved Drawing & Data Sheet	Inspection Report	P	W	W	
Manufacturer Test Certificate (IP 55)	ALL	Approved Drawing & Data Sheet	Test Certificate	P	R	R	
Document / Marking		Approved Drawing & Data Sheet	IRN	H	P	R	
LEGEND: P-PERFORM, W-WITNESS ALL, S-SUBMITTED BY, R-REVIEWED BY, H-HOLD M-Manufacturer C-Contractor TPIA-Third Party Inspection Agency							



**QUALITY ASSURANCE PLAN FOR SACRIFICIAL
MAGNESIUM ANODE**





PROJECT						
OWNER	GAIL INDIA LIMITED					
PROJECT NO		DATE:-				
TPIA						
CONSULTANT						
CONTRACTOR						
CP CONTRACTOR						
QAP NO.	GAIL-STD-CP-DOC-QAP-001	REV.	0			
REFERENCE SPECIFICATION						
REFERENCE DESIGN DOCUMENT						
REFERENCE DATA SHEET						
REFERENCE DRAWING						
VENDOR						
DESCRIPTION / TYPE OF INSPECTION	REFERENCE DOCUMENT	FORMAT OF RECORD	INSPECTION BY			Remarks
			M	TPIA	GAIL	
Compliance with approved Drawing & Data sheet (Manufacturer, type & Model)	Approved Drawing & Data Sheet	Inspection Report	P	W	R	
Inspection						
a. Surface 100 %, Length \pm 2.5 %, Width/ Thickness \pm 5%						
b. Visual : Longitudinal cracks of more than 40 mm long and 3 mm deep not acceptable	Approved Drawing & Data Sheet	Inspection Report	P	W	W/R	
c. Weight tolerance: + %5 (Total weight of all anodes shall not have negative tolerance)						
Radiographic Test						
One anode per heat shall be subjected to radiography to evaluate cracks, voids, slack inclusion etc.	Approved Drawing & Data Sheet	Test Report	P	W	W	
Destructive Testing						
One anode per heat shall be subjected to destructive testing for slag inclusions, bond between anode and insert.	Approved Drawing & Data Sheet	Test Report	P	R	R	

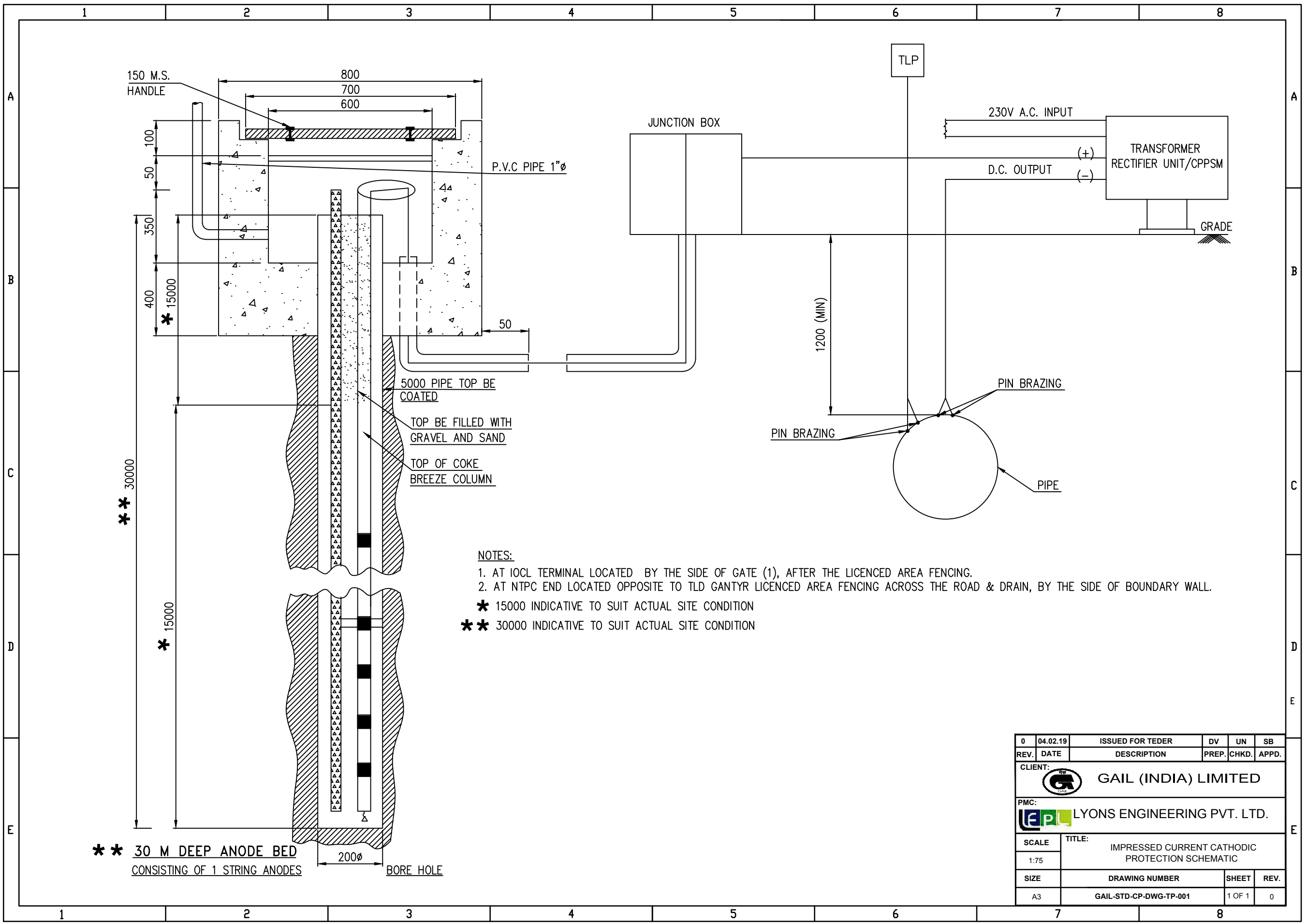


**QUALITY ASSURANCE PLAN FOR SACRIFICIAL
MAGNESIUM ANODE**



PROJECT							
OWNER		GAIL INDIA LIMITED					
PROJECT NO				DATE:-			
TPIA							
CONSULTANT							
CONTRACTOR							
CP CONTRACTOR							
QAP NO.		GAIL-STD-CP-DOC-QAP-001		REV.		0	
REFERENCE SPECIFICATION							
REFERENCE DESIGN DOCUMENT							
REFERENCE DATA SHEET							
REFERENCE DRAWING							
VENDOR							
DESCRIPTION / TYPE OF INSPECTION		REFERENCE DOCUMENT	FORMAT OF RECORD	INSPECTION BY			Remarks
				M	TPIA	GAIL	
Chemical Analysis ; One anode sample per heat by Spectrography Sample in the beginning for first heat, end of second heat, at the beginning of third heat and so on.		Approved Drawing & Data Sheet	Test Report	P	R	R	
Mass per liner meter	ALL	Approved Drawing & Data Sheet	Test Report	P	R	W	
Anode to core resistance	Randomly	Approved Drawing & Data Sheet	Test Report	P	R	W	
Electrochemical Test		Approved Drawing & Data Sheet	Test Report	R	R	R	
One anode per heat shall be tested for a.)Open circuit potential shall lie within (+) 10 mV and (-) 50 mV of the							

	QUALITY ASSURANCE PLAN FOR SACRIFICIAL MAGNESIUM ANODE					
PROJECT						
OWNER	GAIL INDIA LIMITED					
PROJECT NO					DATE:-	
TPIA						
CONSULTANT						
CONTRACTOR						
CP CONTRACTOR						
QAP NO.	GAIL-STD-CP-DOC-QAP-001				REV.	0
REFERENCE SPECIFICATION						
REFERENCE DESIGN DOCUMENT						
REFERENCE DATA SHEET						
REFERENCE DRAWING						
VENDOR						
DESCRIPTION / TYPE OF INSPECTION	REFERENCE DOCUMENT	FORMAT OF RECORD	INSPECTION BY			Remarks
			M	TPIA	GAIL	
b.)Consumption rate by weight loss method (consumption rate shall not be more than the specified value).						
All the above Manufacturer Test Reports	Approved Drawing & Data Sheet	Test Report	Submi ssion	R	R	
Document / Marking	Approved Drawing & Data Sheet	IRN	H	P	R	
LEGEND: P-PERFORM, W-WITNESS ALL, S-SUBMITTED BY, R-REVIEWED BY, H-HOLD M-Manufacturer C-Contractor TPIA-Third Party Inspection Agency						



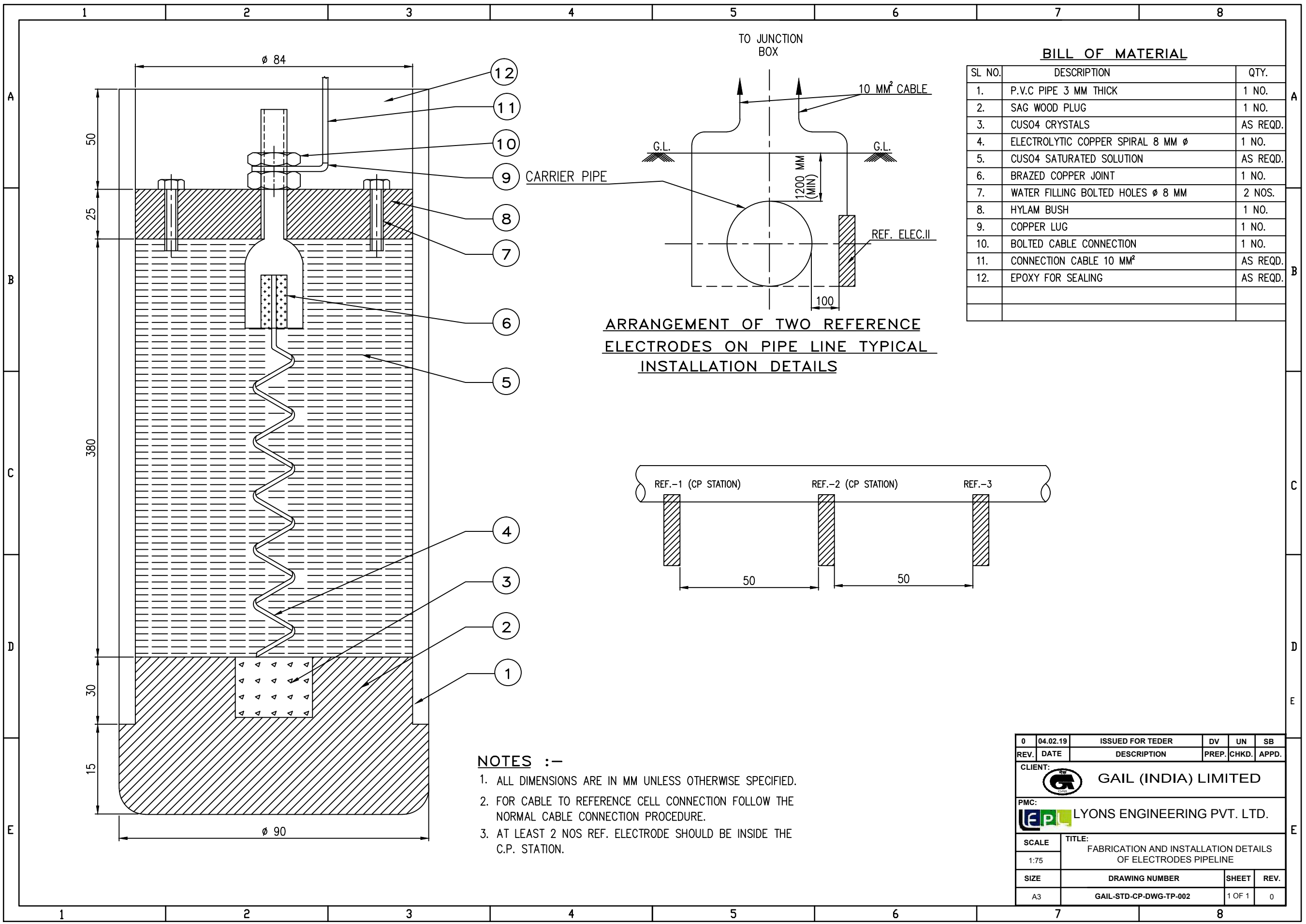
NOTES:

1. AT IOCL TERMINAL LOCATED BY THE SIDE OF GATE (1), AFTER THE LICENCED AREA FENCING.
2. AT NTPC END LOCATED OPPOSITE TO TLD GANTYR LICENCED AREA FENCING ACROSS THE ROAD & DRAIN, BY THE SIDE OF BOUNDARY WALL.

- * 15000 INDICATIVE TO SUIT ACTUAL SITE CONDITION
- ** 30000 INDICATIVE TO SUIT ACTUAL SITE CONDITION

**** 30 M DEEP ANODE BED**
 CONSISTING OF 1 STRING ANODES
 BORE HOLE 200ø

0	04.02.19	ISSUED FOR TEDER	DV	UN	SB
REV.	DATE	DESCRIPTION	PREP.	CHKD.	APPD.
CLIENT:					
PMC:					
SCALE	TITLE:				
1:75	IMPRESSED CURRENT CATHODIC PROTECTION SCHEMATIC				
SIZE	DRAWING NUMBER	SHEET	REV.		
A3	GAIL-STD-CP-DWG-TP-001	1 OF 1	0		



BILL OF MATERIAL

SL NO.	DESCRIPTION	QTY.
1.	P.V.C PIPE 3 MM THICK	1 NO.
2.	SAG WOOD PLUG	1 NO.
3.	CUSO4 CRYSTALS	AS REQD.
4.	ELECTROLYTIC COPPER SPIRAL 8 MM ϕ	1 NO.
5.	CUSO4 SATURATED SOLUTION	AS REQD.
6.	BRAZED COPPER JOINT	1 NO.
7.	WATER FILLING BOLTED HOLES ϕ 8 MM	2 NOS.
8.	HYLAM BUSH	1 NO.
9.	COPPER LUG	1 NO.
10.	BOLTED CABLE CONNECTION	1 NO.
11.	CONNECTION CABLE 10 MM ²	AS REQD.
12.	EPOXY FOR SEALING	AS REQD.

ARRANGEMENT OF TWO REFERENCE ELECTRODES ON PIPE LINE TYPICAL INSTALLATION DETAILS

NOTES :-

1. ALL DIMENSIONS ARE IN MM UNLESS OTHERWISE SPECIFIED.
2. FOR CABLE TO REFERENCE CELL CONNECTION FOLLOW THE NORMAL CABLE CONNECTION PROCEDURE.
3. AT LEAST 2 NOS REF. ELECTRODE SHOULD BE INSIDE THE C.P. STATION.

0	04.02.19	ISSUED FOR TEDER	DV	UN	SB
REV.	DATE	DESCRIPTION	PREP.	CHKD.	APPD.
CLIENT:		GAIL (INDIA) LIMITED			
PMC:		LYONS ENGINEERING PVT. LTD.			
SCALE	TITLE:				
1:75	FABRICATION AND INSTALLATION DETAILS OF ELECTRODES PIPELINE				
SIZE	DRAWING NUMBER		SHEET	REV.	
A3	GAIL-STD-CP-DWG-TP-002		1 OF 1	0	

1 2 3 4 5 6 7 8

A

B

C

D

E

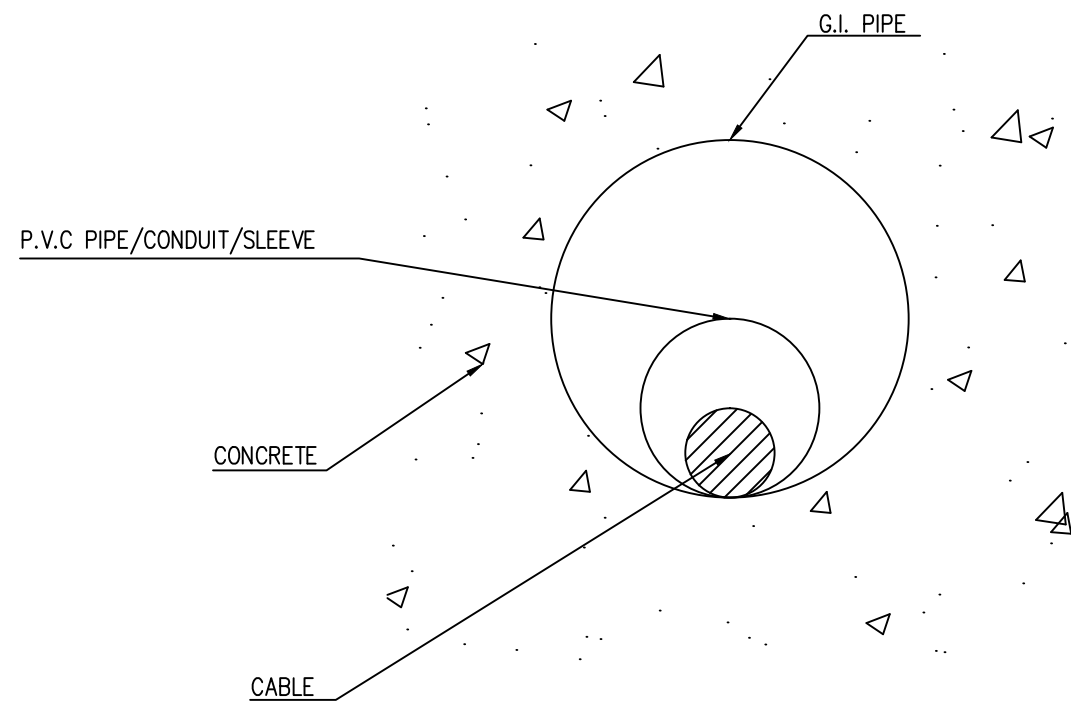
A

B

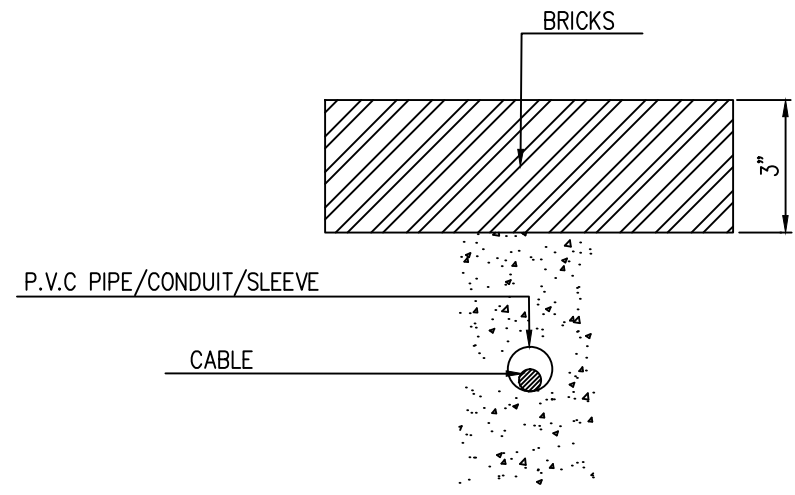
C

D

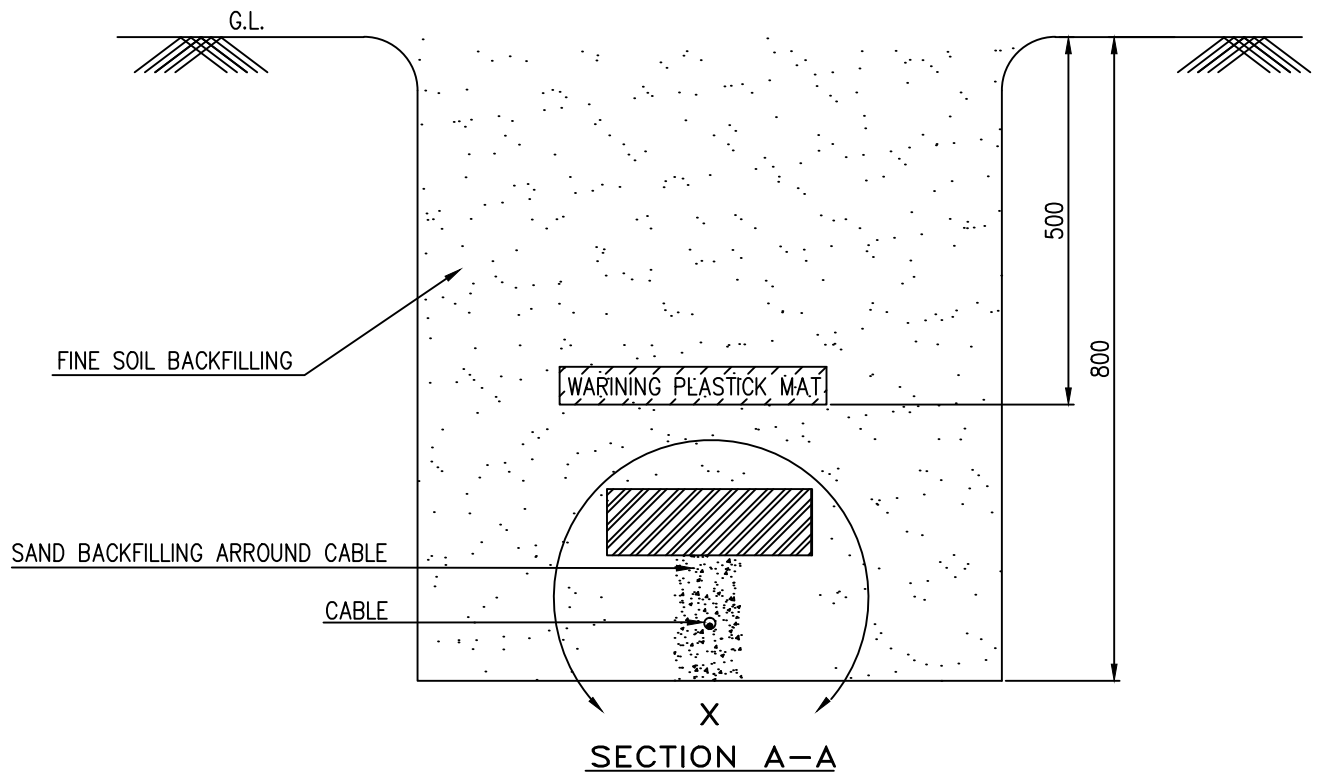
E



SECTION VIEW OF CABLE LAYOUT IN CONCRETE



ENLARGED DETAIL-X FOR NORMAL LAYING IN EARTH

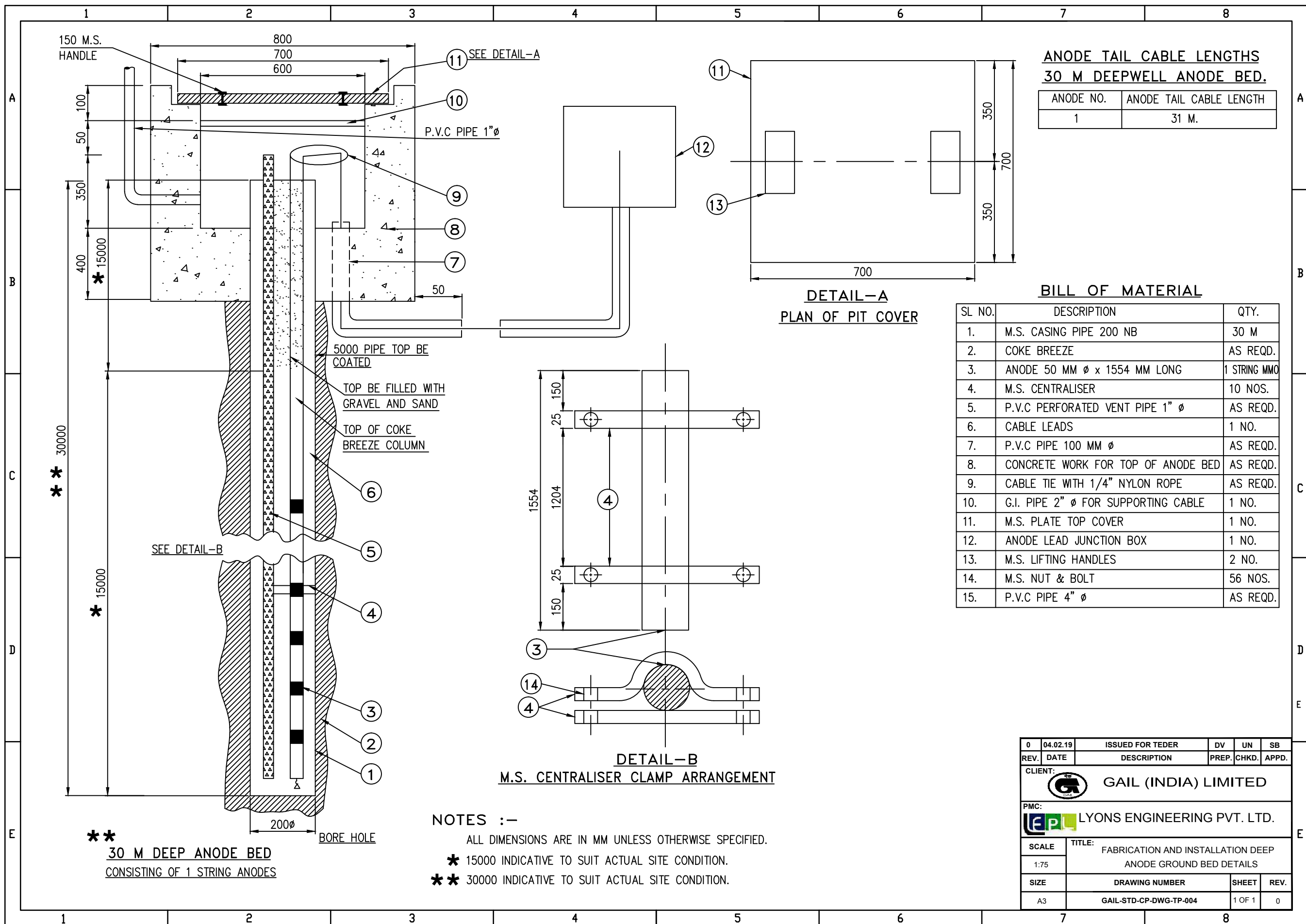


NOTES :-

1. ALL DIMENSIONS ARE IN MM UNLESS OTHERWISE SPECIFIED.
2. ALL UNDERGROUND CABLE SHALL BE LAID IN BRICK COVERING WITH SAND BACKFILL.
3. FOR MORE THAN ONE CABLE IN THE SAME CABLE TRENCH CABLE SHALL BE LAID SIDE BY SIDE IN SEPARATE BRICK COVERING.
4. AT BOTH ENDS OF CABLE TERMINATION A LOOP OF ONE METER (MINIMUM) SHALL BE KEPT AS SPARE.
5. WHEREVER TERMINATION IN BETWEEN IS REQUIRED T-JOINTS OR ELBOWS SHALL BE PROVIDED.
6. AT ROAD/NALA CROSSINGS, G.I. PIPE CONDUIT SHALL BE USED.

0	04.02.19	ISSUED FOR TENDER	DV	UN	SB
REV.	DATE	DESCRIPTION	PREP.	CHKD.	APPD.
CLIENT:		GAIL (INDIA) LIMITED			
PMC:		LYONS ENGINEERING PVT. LTD.			
SCALE	TITLE:				
1:75	FABRICATION AND INSTALLATION DETAILS OF CABLE LAYING (TYPICAL)				
SIZE	DRAWING NUMBER		SHEET	REV.	
A3	GAIL-STD-CP-DWG-TP-003		1 OF 1	0	

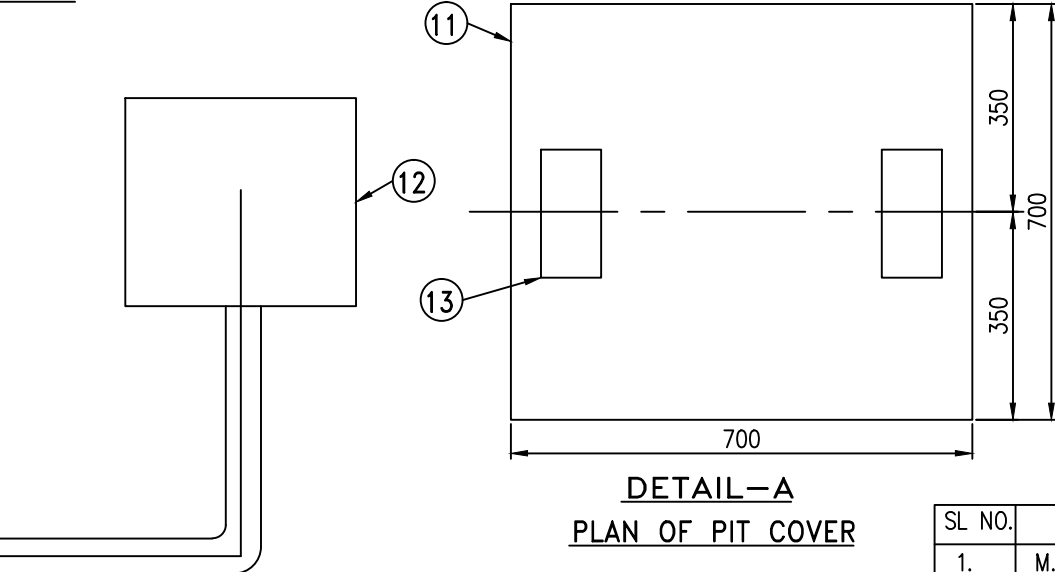
1 2 3 4 5 6 7 8



**ANODE TAIL CABLE LENGTHS
30 M DEEPWELL ANODE BED.**

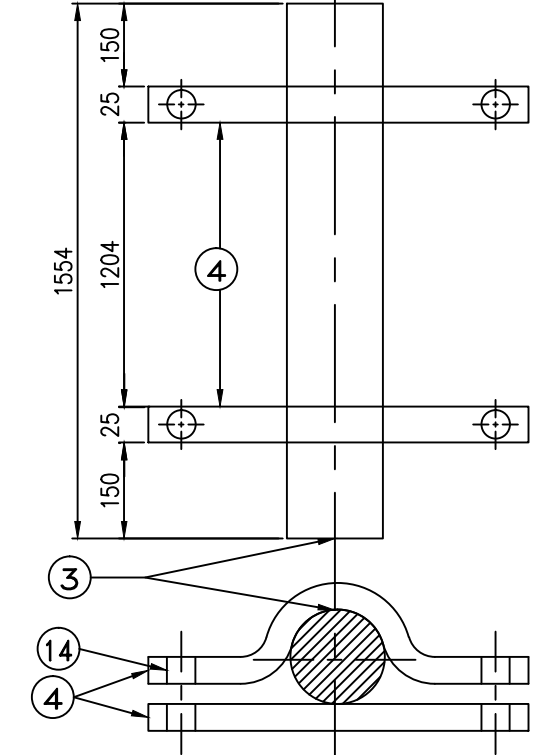
ANODE NO.	ANODE TAIL CABLE LENGTH
1	31 M.

**DETAIL-A
PLAN OF PIT COVER**



BILL OF MATERIAL

SL NO.	DESCRIPTION	QTY.
1.	M.S. CASING PIPE 200 NB	30 M
2.	COKE BREEZE	AS REQD.
3.	ANODE 50 MM ϕ x 1554 MM LONG	1 STRING MMO
4.	M.S. CENTRALISER	10 NOS.
5.	P.V.C PERFORATED VENT PIPE 1" ϕ	AS REQD.
6.	CABLE LEADS	1 NO.
7.	P.V.C PIPE 100 MM ϕ	AS REQD.
8.	CONCRETE WORK FOR TOP OF ANODE BED	AS REQD.
9.	CABLE TIE WITH 1/4" NYLON ROPE	AS REQD.
10.	G.I. PIPE 2" ϕ FOR SUPPORTING CABLE	1 NO.
11.	M.S. PLATE TOP COVER	1 NO.
12.	ANODE LEAD JUNCTION BOX	1 NO.
13.	M.S. LIFTING HANDLES	2 NO.
14.	M.S. NUT & BOLT	56 NOS.
15.	P.V.C PIPE 4" ϕ	AS REQD.

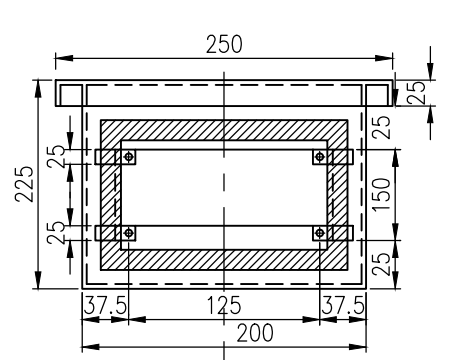
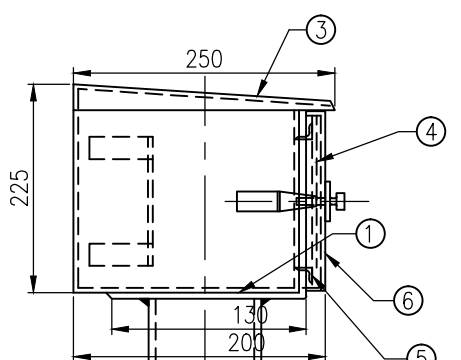
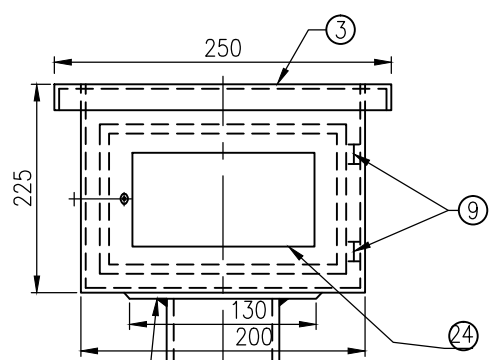


**DETAIL-B
M.S. CENTRALISER CLAMP ARRANGEMENT**

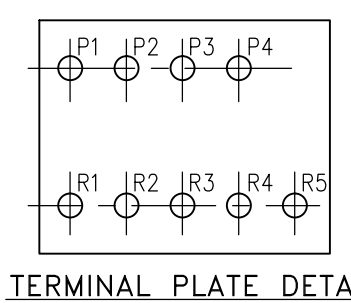
NOTES :-
 ALL DIMENSIONS ARE IN MM UNLESS OTHERWISE SPECIFIED.
 * 15000 INDICATIVE TO SUIT ACTUAL SITE CONDITION.
 ** 30000 INDICATIVE TO SUIT ACTUAL SITE CONDITION.

30 M DEEP ANODE BED
 CONSISTING OF 1 STRING ANODES

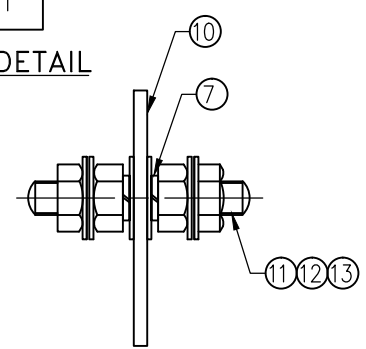
0	04.02.19	ISSUED FOR TENDER	DV	UN	SB
REV.	DATE	DESCRIPTION	PREP.	CHKD.	APPD.
CLIENT:					
PMC:					
SCALE	TITLE: FABRICATION AND INSTALLATION DEEP ANODE GROUND BED DETAILS				
1:75					
SIZE	DRAWING NUMBER	SHEET	REV.		
A3	GAIL-STD-CP-DWG-TP-004	1 OF 1	0		



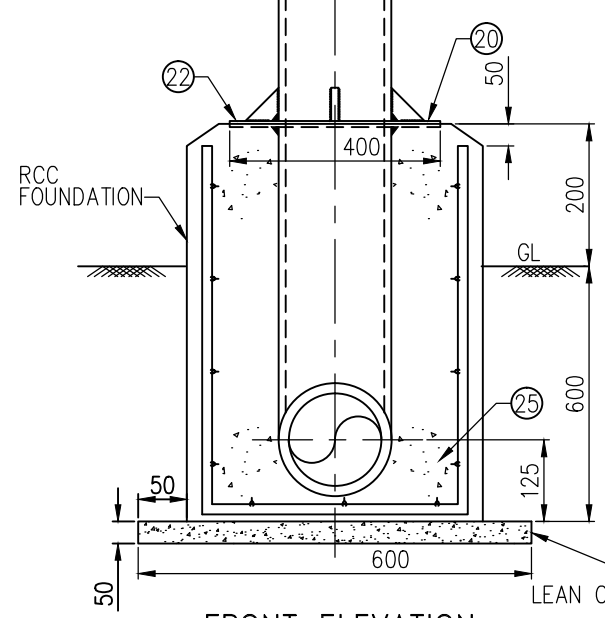
FRONT VIEW DOOR REMOVED



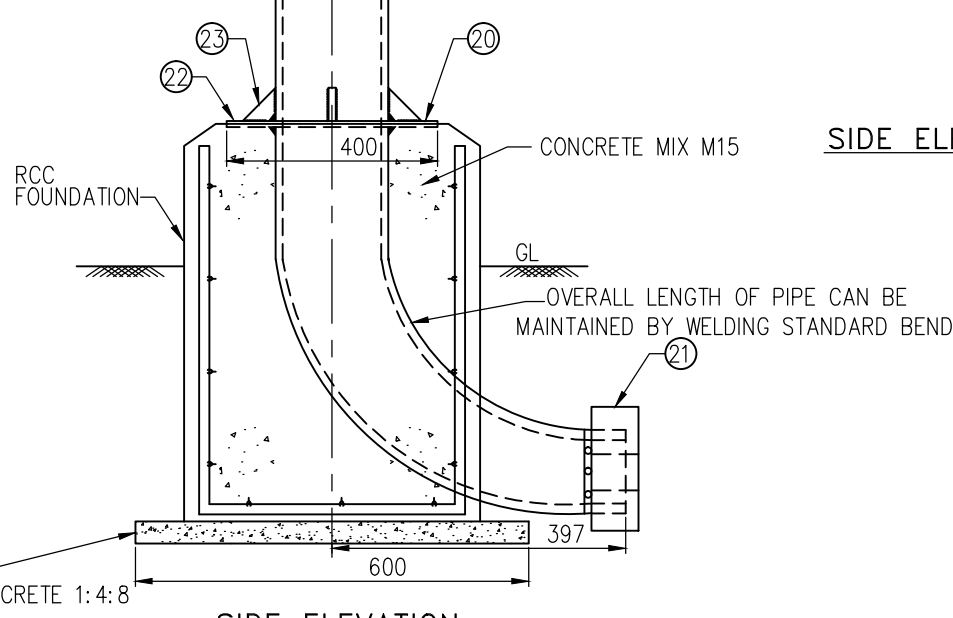
TERMINAL PLATE DETAIL



SIDE ELEVATION



FRONT ELEVATION

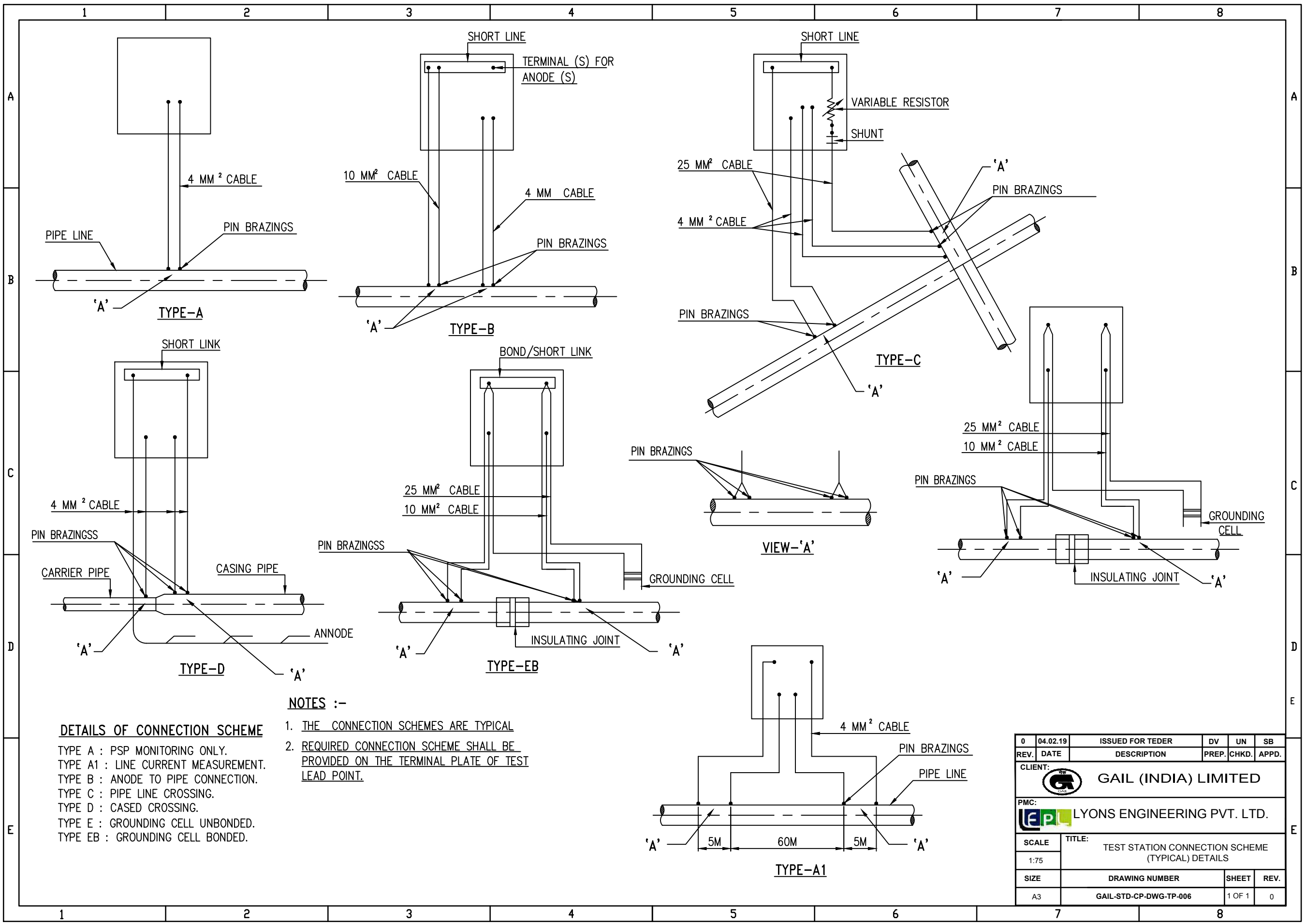


SIDE ELEVATION

BILL OF MATERIAL

SL NO.	DESCRIPTION	QTY.
1.	BOTTOM PLATE, 5TKx194 MS PLATE	001
2.	REAR & SIDE, 2.67x217x704 MS	001
3.	TOP, 2.67x250x300 MS	001
4.	FRONT TOP 2.67 x190x81 MS	001
5.	FRONT BOTTOM, 2.67x190x81 MS	001
6.	SHUTTER 2.67x234x234 MS	001
7.	SPRING WASHER SC. B.6	066
8.	CASTLE LOCK WITH MASTER KEY (3NOS. KEY)	001
9.	HINGE FOR SHUTTER	002
10.	TERMINAL PLATE, 8x150x150 PHENOLIGE LAM SHT.	001
11.	BRASS STUD M6x50LG (FOR TERMINALS)	001
12.	BRASS NUT M6	044
13.	BRASS WASHER	044
14.	MS. ANGLE 5TKx50x50x30	004
15.	STEEL SCREW, M6x16	004
16.	LATCH FOR SHUTTER	001
17.	MS COUPLING PLATE, STKx130x130 MS PLATE	001
18.	MS PIPE, 100 NB x 5.4 TKx 1275MM	001
19.	NEOPRENE RUBBER GASKET 6 TK.	001 SET
20.	FOUNDATION PLATE 6TKx400x400 AA 10108	002
21.	RUBBER BUSH	001
22.	FOUNDATION BOLT M14x125 LG WITH SPRING WASHER AND NUT	001
23.	STIFFENER PLATE 6TKx100x100	001
24.	NAME PLATE ANNODISED AL 0.9x120x160	001

0	04.02.19	ISSUED FOR TEDER	DV	UN	SB
REV.	DATE	DESCRIPTION	PREP.	CHKD.	APPD.
CLIENT: GAIL (INDIA) LIMITED					
PMC: LYONS ENGINEERING PVT. LTD.					
SCALE	TITLE: TEST LEAD POINTS & JUNCTION BOX WITH FOUNDATION DETAILS				
1:75					
SIZE	DRAWING NUMBER	SHEET	REV.		
A3	GAIL-STD-CP-DWG-TP-005	1 OF 1	0		



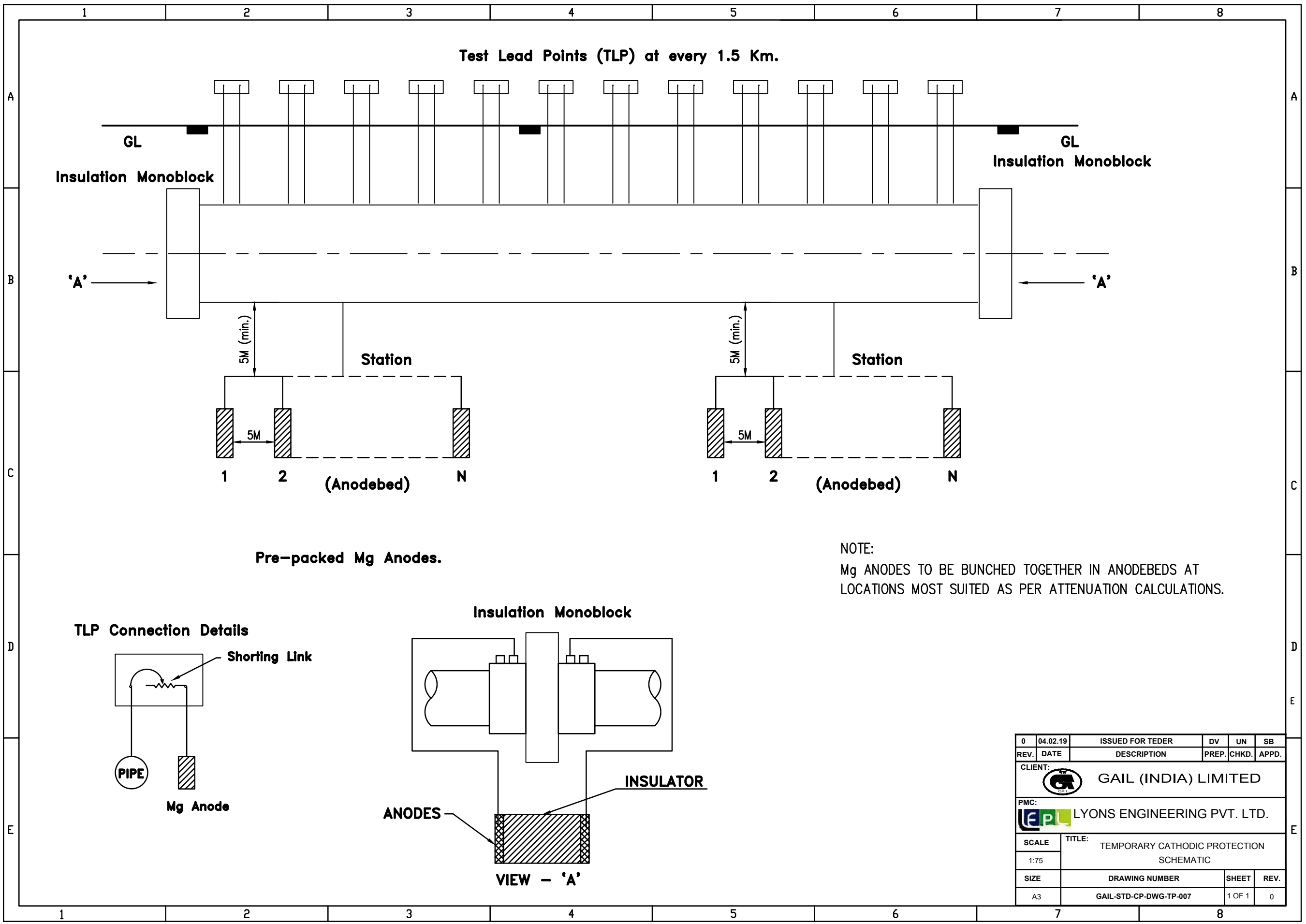
DETAILS OF CONNECTION SCHEME

- TYPE A : PSP MONITORING ONLY.
- TYPE A1 : LINE CURRENT MEASUREMENT.
- TYPE B : ANODE TO PIPE CONNECTION.
- TYPE C : PIPE LINE CROSSING.
- TYPE D : CASED CROSSING.
- TYPE E : GROUNDING CELL UNBONDED.
- TYPE EB : GROUNDING CELL BONDED.

NOTES :-

1. THE CONNECTION SCHEMES ARE TYPICAL
2. REQUIRED CONNECTION SCHEME SHALL BE PROVIDED ON THE TERMINAL PLATE OF TEST LEAD POINT.

0	04.02.19	ISSUED FOR TENDER	DV	UN	SB
REV.	DATE	DESCRIPTION	PREP.	CHKD.	APPD.
CLIENT:		GAIL (INDIA) LIMITED			
PMC:		LYONS ENGINEERING PVT. LTD.			
SCALE	TITLE: TEST STATION CONNECTION SCHEME (TYPICAL) DETAILS				
1:75					
SIZE	DRAWING NUMBER	SHEET	REV.		
A3	GAIL-STD-CP-DWG-TP-006	1 OF 1	0		



Test Lead Points (TLP) at every 1.5 Km.

Insulation Monoblock

Insulation Monoblock

'A'

'A'

5M (min.)

Station

Station

1

2

(Anodebed)

N

1

2

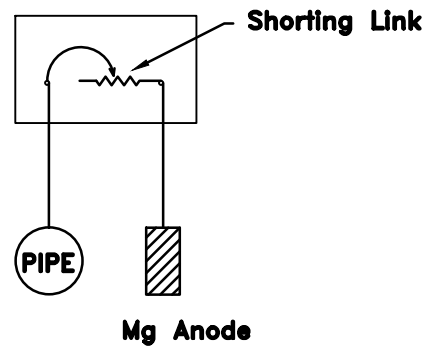
(Anodebed)

N

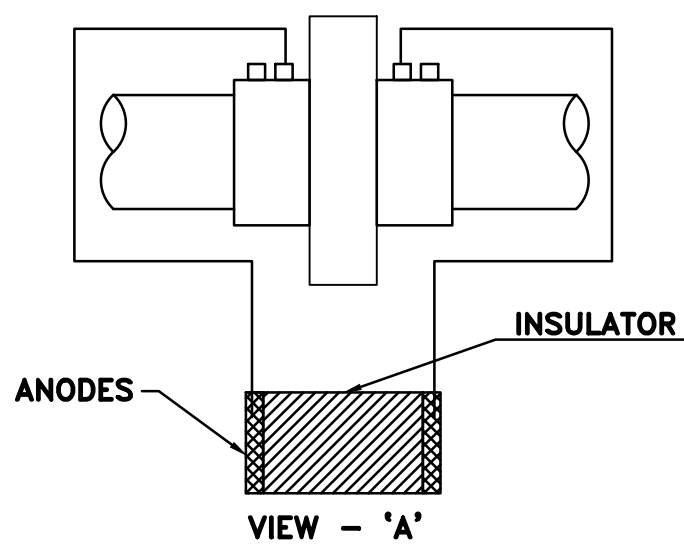
Pre-packed Mg Anodes.

NOTE:
Mg ANODES TO BE BUNCHED TOGETHER IN ANODEBEDS AT LOCATIONS MOST SUITED AS PER ATTENUATION CALCULATIONS.

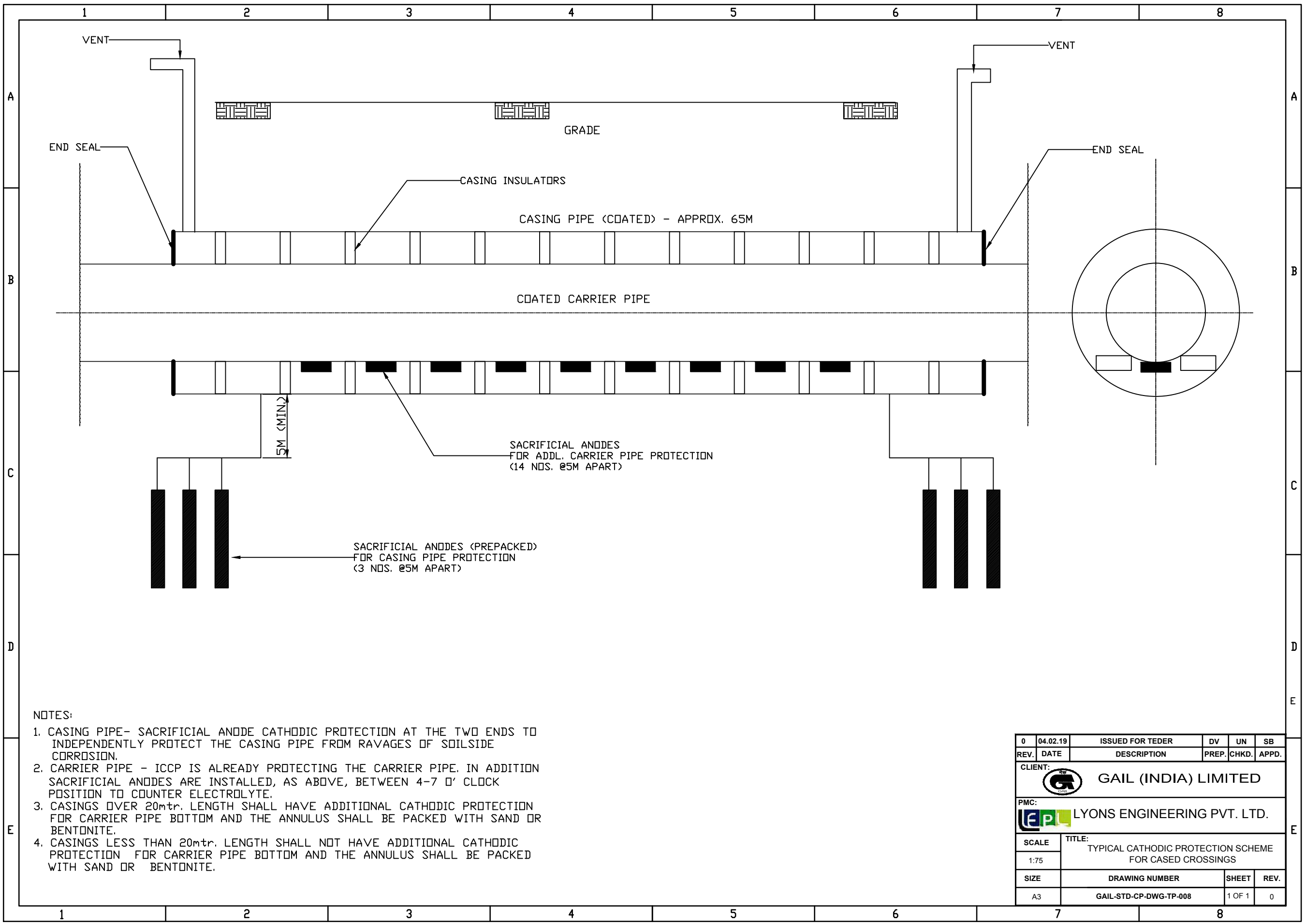
TLP Connection Details



Insulation Monoblock



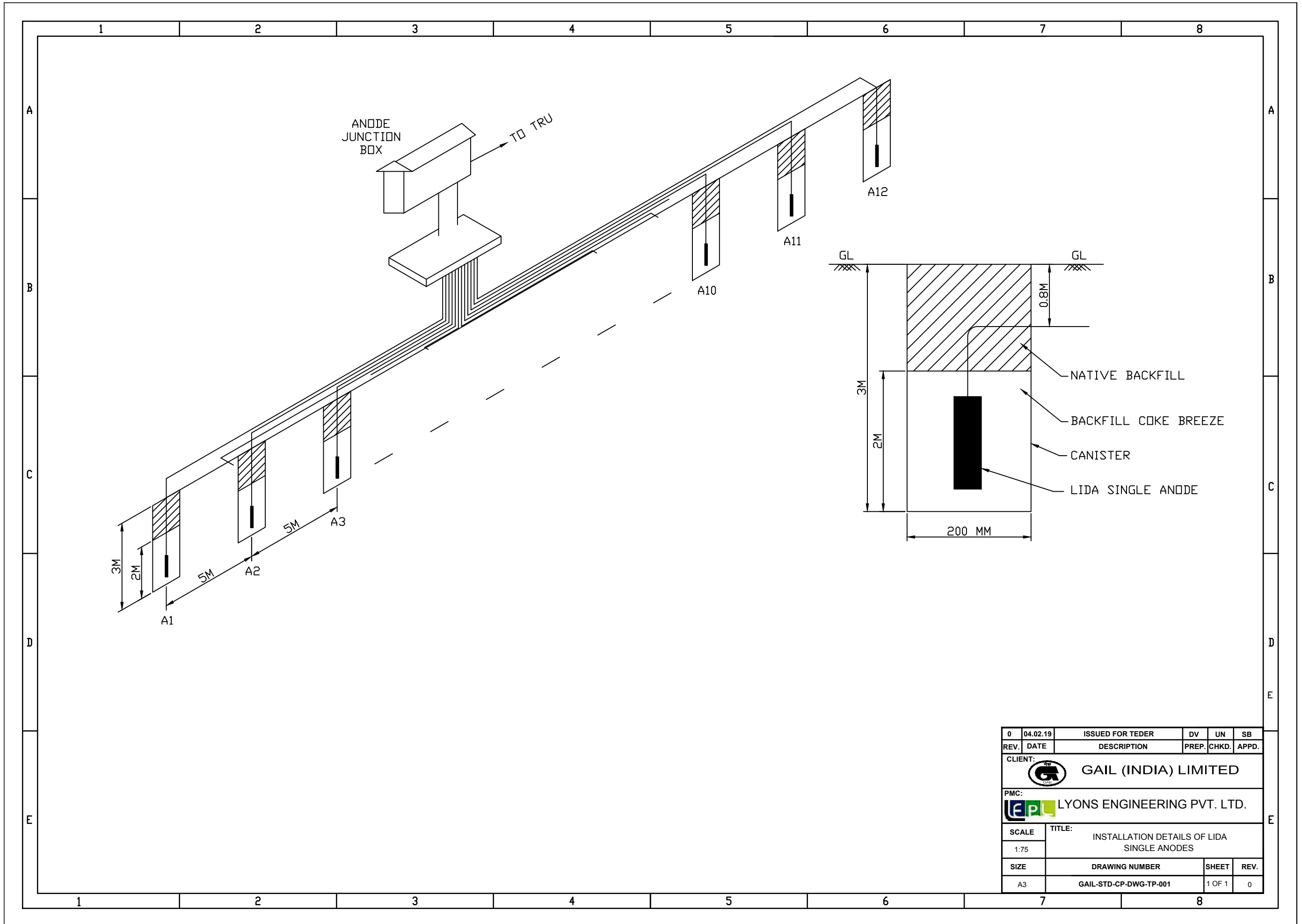
0	04.02.19	ISSUED FOR TEDER	DV	UN	SB
REV.	DATE	DESCRIPTION	PREP.	CHKD.	APPD.
CLIENT:					
PMC:					
SCALE	TITLE: TEMPORARY CATHODIC PROTECTION SCHEMATIC				
1:75					
SIZE	DRAWING NUMBER	SHEET	REV.		
A3	GAIL-STD-CP-DWG-TP-007	1 OF 1	0		



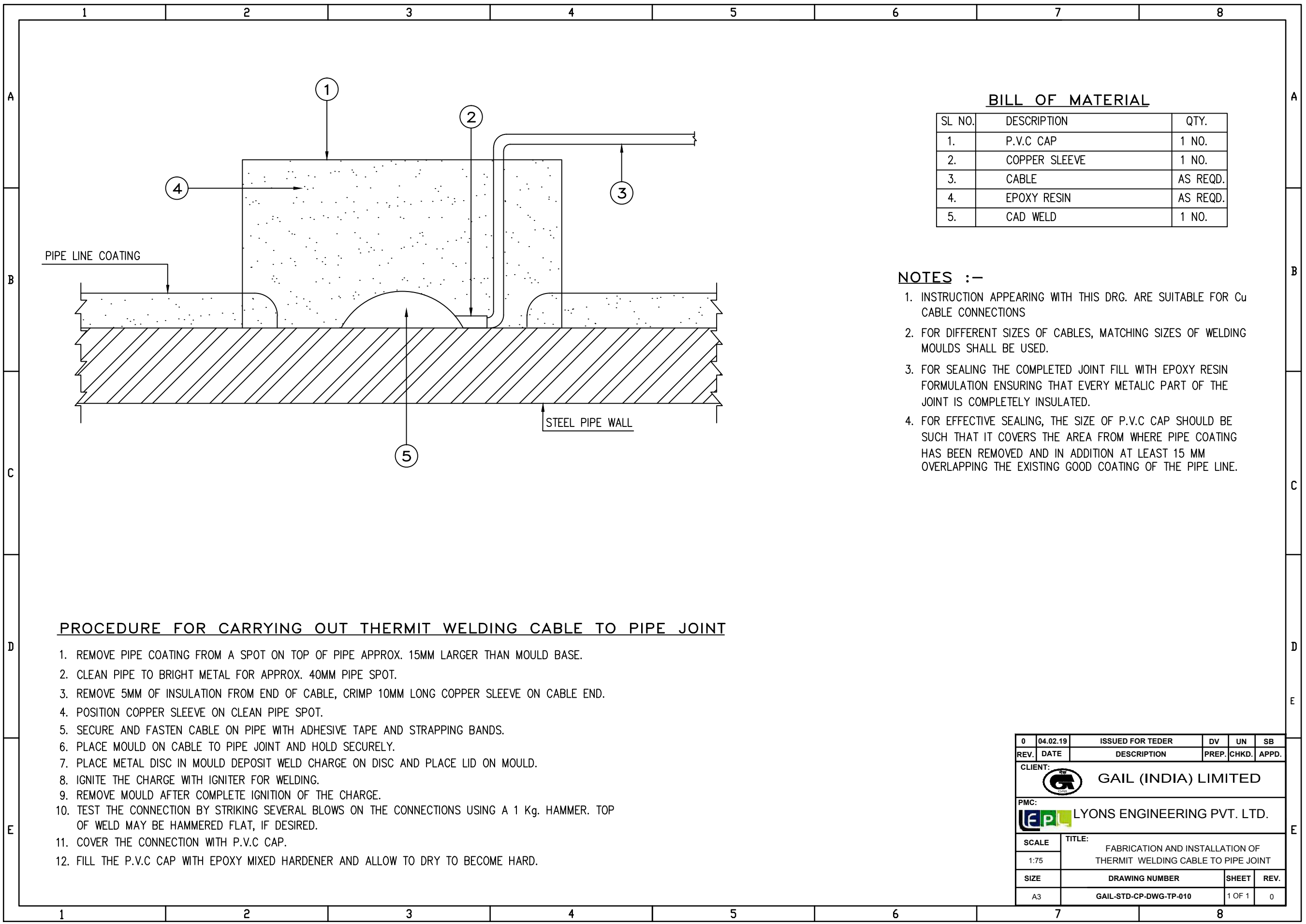
NOTES:

1. CASING PIPE- SACRIFICIAL ANODE CATHODIC PROTECTION AT THE TWO ENDS TO INDEPENDENTLY PROTECT THE CASING PIPE FROM RAVAGES OF SOILSIDE CORROSION.
2. CARRIER PIPE - ICCP IS ALREADY PROTECTING THE CARRIER PIPE. IN ADDITION SACRIFICIAL ANODES ARE INSTALLED, AS ABOVE, BETWEEN 4-7 O' CLOCK POSITION TO COUNTER ELECTROLYTE.
3. CASINGS OVER 20mtr. LENGTH SHALL HAVE ADDITIONAL CATHODIC PROTECTION FOR CARRIER PIPE BOTTOM AND THE ANNULUS SHALL BE PACKED WITH SAND OR BENTONITE.
4. CASINGS LESS THAN 20mtr. LENGTH SHALL NOT HAVE ADDITIONAL CATHODIC PROTECTION FOR CARRIER PIPE BOTTOM AND THE ANNULUS SHALL BE PACKED WITH SAND OR BENTONITE.

0	04.02.19	ISSUED FOR TEDER	DV	UN	SB
REV.	DATE	DESCRIPTION	PREP.	CHKD.	APPD.
CLIENT:					
PMC:					
SCALE	TITLE:				
1:75	TYPICAL CATHODIC PROTECTION SCHEME FOR CASSED CROSSINGS				
SIZE	DRAWING NUMBER	SHEET	REV.		
A3	GAIL-STD-CP-DWG-TP-008	1 OF 1	0		



0	04.02.19	ISSUED FOR TEDER	DV	UN	SB
REV.	DATE	DESCRIPTION	PREP.	CHKD.	APPD.
CLIENT:					
PMC:					
SCALE	TITLE:				
1:75	INSTALLATION DETAILS OF LIDA SINGLE ANODES				
SIZE	DRAWING NUMBER	SHEET	REV.		
A3	GAIL-STD-CP-DWG-TP-001	1 OF 1	0		



BILL OF MATERIAL

SL NO.	DESCRIPTION	QTY.
1.	P.V.C CAP	1 NO.
2.	COPPER SLEEVE	1 NO.
3.	CABLE	AS REQD.
4.	EPOXY RESIN	AS REQD.
5.	CAD WELD	1 NO.

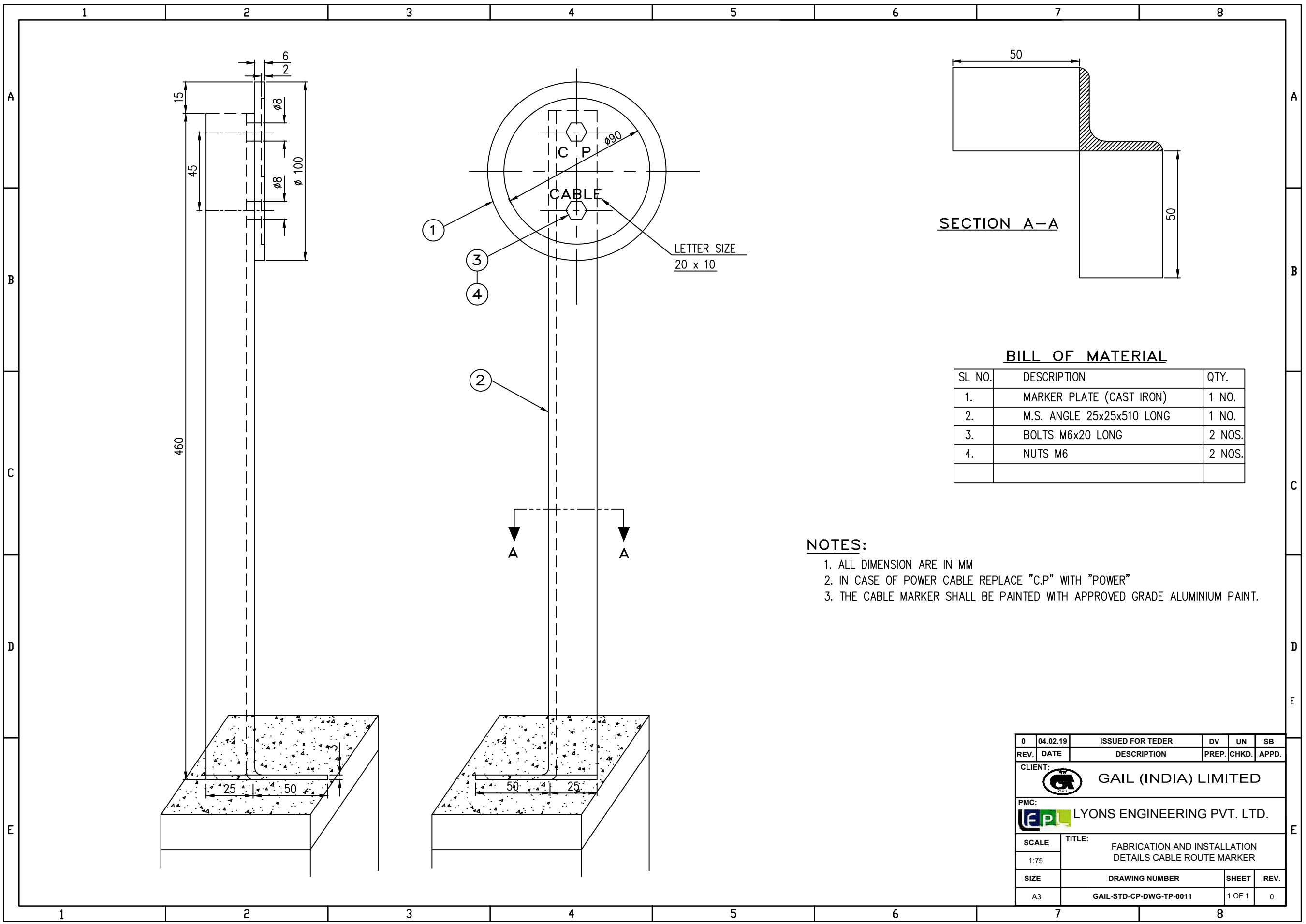
NOTES :-

1. INSTRUCTION APPEARING WITH THIS DRG. ARE SUITABLE FOR Cu CABLE CONNECTIONS
2. FOR DIFFERENT SIZES OF CABLES, MATCHING SIZES OF WELDING MOULDS SHALL BE USED.
3. FOR SEALING THE COMPLETED JOINT FILL WITH EPOXY RESIN FORMULATION ENSURING THAT EVERY METALIC PART OF THE JOINT IS COMPLETELY INSULATED.
4. FOR EFFECTIVE SEALING, THE SIZE OF P.V.C CAP SHOULD BE SUCH THAT IT COVERS THE AREA FROM WHERE PIPE COATING HAS BEEN REMOVED AND IN ADDITION AT LEAST 15 MM OVERLAPPING THE EXISTING GOOD COATING OF THE PIPE LINE.

PROCEDURE FOR CARRYING OUT THERMIT WELDING CABLE TO PIPE JOINT

1. REMOVE PIPE COATING FROM A SPOT ON TOP OF PIPE APPROX. 15MM LARGER THAN MOULD BASE.
2. CLEAN PIPE TO BRIGHT METAL FOR APPROX. 40MM PIPE SPOT.
3. REMOVE 5MM OF INSULATION FROM END OF CABLE, CRIMP 10MM LONG COPPER SLEEVE ON CABLE END.
4. POSITION COPPER SLEEVE ON CLEAN PIPE SPOT.
5. SECURE AND FASTEN CABLE ON PIPE WITH ADHESIVE TAPE AND STRAPPING BANDS.
6. PLACE MOULD ON CABLE TO PIPE JOINT AND HOLD SECURELY.
7. PLACE METAL DISC IN MOULD DEPOSIT WELD CHARGE ON DISC AND PLACE LID ON MOULD.
8. IGNITE THE CHARGE WITH IGNITER FOR WELDING.
9. REMOVE MOULD AFTER COMPLETE IGNITION OF THE CHARGE.
10. TEST THE CONNECTION BY STRIKING SEVERAL BLOWS ON THE CONNECTIONS USING A 1 Kg. HAMMER. TOP OF WELD MAY BE HAMMERED FLAT, IF DESIRED.
11. COVER THE CONNECTION WITH P.V.C CAP.
12. FILL THE P.V.C CAP WITH EPOXY MIXED HARDENER AND ALLOW TO DRY TO BECOME HARD.

0	04.02.19	ISSUED FOR TEDER	DV	UN	SB
REV.	DATE	DESCRIPTION	PREP.	CHKD.	APPD.
CLIENT: GAIL (INDIA) LIMITED					
PMC: LYONS ENGINEERING PVT. LTD.					
SCALE	TITLE: FABRICATION AND INSTALLATION OF THERMIT WELDING CABLE TO PIPE JOINT				
1:75	DRAWING NUMBER		SHEET	REV.	
A3	GAIL-STD-CP-DWG-TP-010		1 OF 1	0	





SECTION A-A

BILL OF MATERIAL

SL NO.	DESCRIPTION	QTY.
1.	MARKER PLATE (CAST IRON)	1 NO.
2.	M.S. ANGLE 25x25x510 LONG	1 NO.
3.	BOLTS M6x20 LONG	2 NOS.
4.	NUTS M6	2 NOS.

NOTES:

1. ALL DIMENSION ARE IN MM
2. IN CASE OF POWER CABLE REPLACE "C.P" WITH "POWER"
3. THE CABLE MARKER SHALL BE PAINTED WITH APPROVED GRADE ALUMINIUM PAINT.

0	04.02.19	ISSUED FOR TEDER	DV	UN	SB
REV.	DATE	DESCRIPTION	PREP.	CHKD.	APPD.
CLIENT:		 GAIL (INDIA) LIMITED			
PMC:		 LYONS ENGINEERING PVT. LTD.			
SCALE	TITLE:				
1:75	FABRICATION AND INSTALLATION DETAILS CABLE ROUTE MARKER				
SIZE	DRAWING NUMBER		SHEET	REV.	
A3	GAIL-STD-CP-DWG-TP-0011		1 OF 1	0	



GAIL INDIA LIMITED

**CONSTRUCTION OF STEEL PIPELINE AND ASSOCIATED FACILITIES
FOR CGD CONNECTIVITIES**

VOLUME II OF II (TECHNICAL) – G

ELECTRICAL

E-TENDER REF : 8000017675

(BID DOCUMENT NO - 034/LEPL/GAIL/27-R0)



Lyons Engineering Pvt. Ltd.

Sr. No.	Description	Doc No.	Rev. No.
		GAIL-ENG-GN-DOC-DL-001	
DCI - MASTER DELIVERABLE CONTROL INDEX FOR CONSTRUCTION OF STEEL PIPELINE AND ASSOCIATED FACILITIES FOR CGD TO M/S BPCL SAHARANPUR, CGD TO M/S THINK GAS MACCHHWARA(LUDHIANA), CGD TO M/S BPCL YAMUNANAGAR, & CGD TO M/S IGL FATEHPUR		Rev. 0	
Sr. No.	Description	Document / Drawing No.	Rev. No.
TECHNICAL VOLUME - II OF II			
G	ELECTRICAL		
1	Electrical Design Basis	GAIL-STD-EL-DOC-DB-001	0
TECHNICAL SPECIFICATION FOR ELECTRICAL SYSTEM			
2	Technical Specification of Main Electrical Distribution board	GAIL-STD-EL-DOC-TS-002	0
3	Technical Specification of Cables	GAIL-STD-EL-DOC-TS-003	0
4	Technical Specification of Lighting System	GAIL-STD-EL-DOC-TS-004	0
5	Technical Specification for Earthing & Lightning Protection system	GAIL-STD-EL-DOC-TS-005	0
6	Technical Specification for Installation, Testing and Commissioning of Electrical Equipments.	GAIL-STD-EL-DOC-TS-06	0
DATA SHEET FOR ELECTRICAL SYSTEM			
7	Data Sheet for MEDB	GAIL-STD-EL-DOC-DS-001	0
8	Data Sheet for Cables	GAIL-STD-EL-DOC-DS-002	0
QAP FOR ELECTRICAL SYSTEM			
9	QAP of Distribution Board	GAIL-STD-EL-DOC-QAP-001	0
10	QAP of Power Cables	GAIL-STD-EL-DOC-QAP-002	0
11	QAP of Lighting Panels	GAIL-STD-EL-DOC-QAP-003	0
STANDARD / TYPICAL DRAWINGS FOR ELECTRICAL SYSTEM			
12	Standard Cu Plate Electrode in Test Pit	GAIL-STD-EL-DWG-TP-001	0
13	Standard GI Pipe Electrode in Test Pit	GAIL-STD-EL-DWG-TP-002	0
14	Typ. Installation of Power/Lighting Panel Flush mounted	GAIL-STD-EL-DWG-TP-006	0
15	Typ. Installation of Directly Burried Cables	GAIL-STD-EL-DWG-TP-008	0
16	Typ. Installation of Lighting Fixture at Ground Level	GAIL-STD-EL-DWG-TP-009	0
17	Typ. Installation of Post Top Lantern on Gate	GAIL-STD-EL-DWG-TP-010	0
18	Typ. Earthing Connection for Lighting Pole	GAIL-STD-EL-DWG-TP-011	0
19	Typ. Earthing/Bonding of Pipes & Pipe Racks	GAIL-STD-EL-DWG-TP-012	0
20	Typ. Earthing of Gate & Fence	GAIL-STD-EL-DWG-TP-013	0
21	Typ. Earthing for Process Equipment	GAIL-STD-EL-DWG-TP-014	0
22	Typ. Installation of Street Light Fixture/FLP/Div.2 Area Light Fixture	GAIL-STD-EL-DWG-TP-015	0
23	Typ. Installation of Open Area Flood Light Fixture Mounted on Wall / Column	GAIL-STD-EL-DWG-TP-016	0
24	Typ. Installation of Flood Light Fixtures Mounted on Pole	GAIL-STD-EL-DWG-TP-017	0



CONSTRUCTION OF STEEL PIPELINE AND
ASSOCIATED FACILITIES FOR CGD
CONNECTIVITIES



ELECTRICAL DESIGN BASIS				CLIENT JOB NO.		034
				TOTAL SHEETS		17
DOCUMENT NO	GAIL	STD	EL	BD	001	

--	--	--	--	--	--

REV	DATE	DESCRIPTION	PREP	CHK	APPR
0	02.12.2020	ISSUED FOR BID	SR	TR	SB



TABLE OF CONTENTS

1.0	INTRODUCTION	3
2.0	CODES & STANDARDS	4
3.0	OPERATING REQUIREMENTS	5
4.0	AREA CLASSIFICATION AND EQUIPMENT SELECTION	8
5.0	LIGHTING SYSTEM	8
6.0	ENCLOSURE PROTECTION OF EQUIPMENT	10
7.0	EARTHING, BONDING & LIGHTNING PROTECTION SYSTEM	10
8.0	CABLES	11
9.0	UPS SYSTEM.....	13



CONSTRUCTION OF STEEL PIPELINE AND ASSOCIATED FACILITIES FOR CGD CONNECTIVITIES

1.0 INTRODUCTION

The Electrical design basis broadly outlines the minimum requirements for the design, selection, sizing and installation of the electrical equipments and associated systems of the cross country gas pipeline & terminals.

The electrical system shall be designed to ensure:

- Main Power Distribution System
- Substation design philosophy i.e. trenches, clearances, thickness, RCC, materials and entries
- Safety to personnel and equipments.
- Reliability of service.
- Minimum fire risk.
- Ease of maintenance and convenience of operation.
- Adequate provision for future expansion and modification.
- Maximum interchangeability of equipments.
- Automatic protection of all electrical equipments through selective relaying system.
- Fail safe features.
- Hook-up provisions with existing facilities, wherever required.
- Adequate provision for future expansion and modification.

1.1 GAIL is currently implementing Laying of buried pipeline API 5L grade X42 (or higher) from Proposed tap-off point to proposed metering skid with TCP/PCP.

2.0 CODES AND STANDARDS

Electrical equipment and system design, manufacture, testing, installation and commissioning will comply with all latest applicable standards, regulations and codes.

BIS	Bureau of Indian Standards
CMRI	Central Mines Research institute
IEEE	Institute of Electrical & Electronics Engineers
IER	The Indian Electricity Rules
IEA	The Indian Electricity Act.
API	American Petroleum Institute
OISD	OIL Industry Safety Directorate.
DGMS	Director General of Mines Safety
NEC	National Electric Code
IEC	International Electromechanical Commission
NEMA	National Electrical Manufacturers Association
NACE, CCE, BS, PNGRB	

3.0 OPERATING REQUIREMENTS

3.1 The electrical equipment and material shall be in accordance with the LEPL Technical

	ELECTRICAL DESIGN BASIS	Document No.	Rev
		GAIL-STD-EL-DOC-DB-001	0
		Page 3 of 12 1080 of 1517	



CONSTRUCTION OF STEEL PIPELINE AND ASSOCIATED FACILITIES FOR CGD CONNECTIVITIES

Specifications, BIS and suitable for the following power supply system and site conditions.

3.2 Site Conditions:

The equipment shall be designed for the following site conditions.

Max / Min. Temperature	60°C /4°C
Design Temperature	55°C
Relative Humidity Max / Min.	90%/ 41%
Altitude above Sea level	Less than 1000 Meters.
Atmospheric condition	Tropicalised to withstand the Site condition, dust, vapour etc.
Hazardous Area classification for Plant	Zone-1 or Zone-2, Gas group IIA, IIB. Temp class T3
Electrical Room/Control Room / Guard Room/Battery room	Safe area(If applicable)

3.3 Power Source:

It is presumed that all the stations have Grid Power as Main Power Supply and UPS/Solar power supply as emergency / critical Power Source (to feed the Instrumentation Critical Loads etc).(if applicable)

3.4 Power System Design:

The distribution system shall be designed in accordance with project specification taking into account all possible factors affecting the choice of the system to be adopted such as required continuity of supply, flexibility of operation, operational costs and reliability of supply from available Power sources, total load and the concentration of individual loads.

3.5 Capacity of Electrical System:

All the components of the electrical system shall be sized to suit the maximum load, under the most severe operating conditions. Accordingly, the maximum simultaneous consumption of power required by continuously operating loads shall be considered and an additional margin shall be taken into account for intermittent service loads, if any. The amount of electrical power consumed by each process unit shall be calculated for its operation at the design capacity.

Total Running load of a Station = 100% of Continuous Load + 50% of the Intermittent Load + 20% of the Stand-by Load.

	ELECTRICAL DESIGN BASIS	Document No.	Rev
		GAIL-STD-EL-DOC-DB-001	0
		Page 4 of 12 1081 of 1517	



CONSTRUCTION OF STEEL PIPELINE AND ASSOCIATED FACILITIES FOR CGD CONNECTIVITIES

3.6 Protection and Metering Schemes:

The protective system shall be selected and coordinated to ensure the following:

- i) Protection of equipment against damage which can occur due to internal or external short circuits or atmospheric discharges.
- ii) Uninterrupted operation of those parts of the system, which are not affected by the fault.
- iii) Personnel and plant safety.

Metering shall be provided to keep a record of power consumption and supervision of all concerned parameters like current, voltage, power, frequency, power factor etc.

3.7 Power Supply Voltage:

Voltage	415V \pm 10%
Frequency	50 Hz \pm 5%
Combined voltage & frequency variation	\pm 10%
Phase & Wire	3 Ph, N & 4W
Fault level	25 KA for 1 Sec
Neutral Earthing	Solidly earthed

- Voltage selection is based upon economic considerations, taking the following factors into account:
 - a. Size and location of loads.
 - b. Provision of future extension.
 - c. Short-circuit level.
 - d. Availability of switchgear with suitable current rating and rupturing capacity.
- Possibility of keeping the number of different voltage levels to a minimum.

3.8 Control Supply Voltage:

Voltage	230V \pm 10%
Frequency	50 Hz \pm 5%
Combined voltage & frequency variation	\pm 10%
Phase & Wire	1 Ph, N & 2W
Fault level	10 KA for 1 Sec

Any other control supply voltage will be arranged by the contractor as per equipment requirement. Lighting, small power, etc.: 415 / 240 V, 50Hz; 24 V

	ELECTRICAL DESIGN BASIS	Document No.	Rev
		GAIL-STD-EL-DOC-DB-001	0
		Page 5 of 12 1082 of 1517	



CONSTRUCTION OF STEEL PIPELINE AND ASSOCIATED FACILITIES FOR CGD CONNECTIVITIES

3.9 Electrical Control:

Digital and analogue monitoring and control signals as required for Solar Electric Power Source, Normal power source, CP system shall be provided in various electrical equipment for connection to SCADA system.

3.10 LV Switchgear / Switchboard:

Switchgear and associated equipment fed from generators and transformers(existing) shall have rating at least equal to the rating of respective generators and transformers feeding it, under any circuit configuration. Generator incomer shall be rated w.r.t. maximum power output of the generator set over entire operating temperature range.

Bus tie circuit breakers shall have same rating as the incomer.

All other switchgears / switchboards not directly fed from generator and transformers shall have rating at least equal to the maximum demand under any circuit configuration plus a provision for 25% future load growth. Incomers of these switchgears / switchboards shall be designed to cater to the complete load including 25% margin for future load growth.

Spare outgoing feeders shall be provided in all MV switchgears / switchboards as indicated in SLD. For other switchboards at least one number of each type of outgoing feeder or 20% of same feeder type.

3.11 Equipment Clearance:

The control building shall be sized to maintain adequate clearances between equipment for ease of maintenance. The following minimum clearances around various electrical equipment shall be maintained:

Sl. No.	LOCATION	CLEARANCE
a)	Front clearance for MV switch boards/ all other panels	Minimum 1500 mm
b)	Rear clearance for panels having maintenance access from front only	Minimum 750 mm
c)	Rear clearance for panels having maintenance access from rear	1000 mm
d)	Side clearance between two switch boards or nearest obstruction	1000 mm after considering space for future panels
e)	All around clearance for transformers	1000 mm
f)	Battery rack to wall clearance for <ul style="list-style-type: none"> - Single row, single/double tier - Double row, single tier - Double row, double tier 	100mm 100mm 750mm



CONSTRUCTION OF STEEL PIPELINE AND ASSOCIATED FACILITIES FOR CGD CONNECTIVITIES

g)	Battery rack to rack clearance	100 mm or ≥ 750 mm
h)	Front clearance for wall mounted equipment	750mm
i)	Front clearance for operation station / annunciation / control panel	2000 mm

4.0 AREA CLASSIFICATION AND EQUIPMENT SELECTION

- 4.1 Classification of hazardous area will be in accordance with API 500 /IS-5572 and OISD: 113(2001)-Classification of area for Electrical Installation at hydrocarbon processing and handling facilities whichever is stringent.
- 4.2 Following factors will be considered for proper selection of electrical equipment for use in hazardous areas:
- Area Classification - Zone-1, Zone-2
 - Gas Group - IIA and IIB
 - Temperature Classification - T3
- 4.3 All electrical equipment for hazardous area shall be certified by CMRI or equivalent independent testing agency.
- 4.4 Approval certificate from Chief Controller of Explosives (CCOE) is mandatory for all electronic / electrical instruments / equipment to be installed in India, irrespective of country of origin.

4.5

S.No.	Adequate Type of Protection	Area Classification	Description (Symbol)
1	Zone 0	* Intrinsic safe category	"ia"
		* Other electrical apparatus, specifically designed for zone 0	"ia", "s"
2	Zone 1	* Any type of protection adequate for zone 0 (not preferred)	
		* Flameproof enclosure	
		* Intrinsic safe category	"ib"
		* Oil immersion (see note 2)	
		* Pressurization (see table 2)	
3	Zone 2	* Sand filling	
		* Other electrical apparatus specifically designed for zone 1	"d", "ib", "o", "p", "q", "s"
		* Any type of protection adequate for zone 0 or zone 1 (not preferred).	
		* Increased safety (see note 1)	
		* Non sparking apparatus (see note 1)	"e", "n"

Notes:

1. For all outdoor installations, including the apparatus with type of protection "e" and type of protection "n", the degree of protection shall be in accordance with section 6.
2. Oil-immersed apparatus may be used only in case its security will not be impaired by tilting or vibration of the apparatus.



CONSTRUCTION OF STEEL PIPELINE AND ASSOCIATED FACILITIES FOR CGD CONNECTIVITIES

5.0 LIGHTING SYSTEM

5.1 Illumination level in the plant area for calculation of lighting fixtures are as follows:

Control room	500 Lux
Electrical room	150 Lux
Office room	300 Lux
Process area	50 Lux
Battery room	100 lux
Other rooms	100 lux
Road area	20 lux
Open area	10 Lux

Utilization factor	As per manufacturer's catalogue
Maintenance factor -	0.6 for outdoor / 0.7 for indoor

5.2 Type of Lighting Fixtures :

Battery Room	2x26 W LED Decorative Flame Proof Surface Mounted Fixtures
Control room	2x36 W LED Decorative Recess mounted Fixtures
Local area Near the field Instrument in Process area	250 W HPMV FLP well glass fixtures or Equivalent LED FLP Light Fixture
Electrical room	2x36 W LED decorative surface mounted Fixtures
Guard Room/Store room	2x26 W LED Decorative Recess mounted Fixtures
Toilet/ Veranda	1x26 W LED Recess mounted Fixtures
Gate Light	1x26 W LED Gate Top mounted Fixtures
Process area	250 W HPMV FLP well glass fixtures or Equivalent LED FLP Light Fixture
Road	250 W HPMV or Equivalent LED Street Light Fixtures
Outdoor Area	2x250 W HPMV Flood Light Fixtures.

5.5 All cables (Power & control) shall be armoured only including Lighting Cables.

5.6 All type of Battery should be accommodated in battery room only.

	ELECTRICAL DESIGN BASIS	Document No.	Rev
		GAIL-STD-EL-DOC-DB-001	0
		Page 8 of 12 1085 of 1517	



CONSTRUCTION OF STEEL PIPELINE AND ASSOCIATED FACILITIES FOR CGD CONNECTIVITIES

5.7 2 nos. 450mm dia exhaust fan shall be provided in Battery Room and Electrical Room, 1 no. 300 mm dia Exhaust fan shall be provided in store/Toilet. Blade shall be FRP type. Exhaust fan in battery room shall be flameproof type.

5.8 1200 mm sweep Ceiling fan shall be provided in Electrical Room, Store Room & Guard Room.

6.0 ENCLOSURE PROTECTION OF EQUIPMENT

6.1 Weather Protection

The electrical equipment installed indoor / outdoor shall have the following enclosure protection:

IP for all station – Indoor control room – IP-42,
Indoor Switchgear Room – IP-52
Outdoor – Ex-d
Flood Light, Street Light – IP-55
Other Outdoor-IP-55

The above enclosure protection shall be in accordance with the Indian standard.

6.2 Safety enclosures in hazardous areas

The types of enclosures that shall be used in the plants are the following:

Flame proof (Ex-d)
Pressurized Electrical Equipment – Ex-p

6.3 Key Single-Line Diagram shall define the power distribution system, showing voltage levels, fault level of the bus, bus current rating, frequency, power supply sources, emergency distribution systems and system earthing methods, as well as protection and metering aspects of state electricity board. The document will be set up based on preliminary load data available at the start of the activity and the power distribution philosophy.

7.0 EARTHING SYSTEM :

7.1 All non – current carrying metal enclosures shall be bonded for earth continuity to the main earth Grid/earth bus.

7.2 The minimum of two earth studs must be provided on the skid base, diagonally Opposite to each other, for connection to the main plant earth system.

7.3 No. of earth pits shall be provided as per IS : 3043. All earthing materials shall be supplied as per Technical Specification.

- i) 600 x 600 x 3 mm thick copper plate earth electrodes for UPS, RTU, Telecom, Instrument Control Panel, metering panel.
- ii) 65 mm dia X 3000 mm (L) GI Pipe electrode for other

	ELECTRICAL DESIGN BASIS	Document No.	Rev
		GAIL-STD-EL-DOC-DB-001	0
		Page 9 of 12 1086 of 1517	



CONSTRUCTION OF STEEL PIPELINE AND ASSOCIATED FACILITIES FOR CGD CONNECTIVITIES

- 7.4 All equipment earthing shall be carried out as per IS : 3043, Minimum size of earth conductor to be used shall be as given below:

<u>Equipment</u>	<u>Conductor size</u>
Main Grid & equipment such as main Electrical Distribution Board etc	50 X 6 mm GI Flat
Switch Socket DB, UPS, DB, Lighting DB	25 x 6 mm GI flat / 16 sq. mm GI rope
Motors up to 15 KW Other equipment	2.5 sq mm Copper PVC Wire 2.5 sq mm Copper PVC Wire
Mechanical equipment / Vessels, tanks, Pipe/cable racks, structure, fencing	50 X 6 mm GI Flat
UPS, Telecom, RTU	10 Sq. mm Cu cable
Field Instruments	2.5 sq mm copper PVC Wire

10 sq. mm Cu armoured cable shall be used for Cu plate electrode interconnection of two earth pits

- 7.5 Earthing electrode shall be GI pipe/ copper plate.
- Minimum 2 Nos. Copper Plate Electrodes will be provided for RTU/SCADA/Control Panel equipment at new station.
 - Minimum 2 Nos. Copper Plate Electrodes will be provided for Telecommunication System at new station.
 - Minimum 2 Nos. Copper Plate Electrodes will be provided for UPS system at new station.
 - GI pipe electrodes for new stations will be provided as per IS-3043 and as per site requirement, (2nos for neutral earthing of transformer as applicable ,4 Nos. near building & 2 nos. for process area and 2 nos. separate earthing for lightning protection system). All these earth electrodes will be interconnected.
 - Minimum 2 Nos GI pipe electrodes for Earthing fence for Customer End and Existing station.
 - Minimum 2 Nos Cu electrodes for Earthing of Metering skid at Customer End station.

- 7.7 A board of 250 X 250 mm, 3mm thick GI plate shall be provided adjacent to all earth pits. Board shall display earth pit number, date of testing, test values & next due date, as per guide line of CEA.

8.0 CABLES

Cables shall be supplied as per Technical Specification. Scope shall cover Design, manufacturing, testing at works, laying and commissioning at site.

	ELECTRICAL DESIGN BASIS	Document No.	Rev
		GAIL-STD-EL-DOC-DB-001	0
		Page 10 of 12 1087 of 1517	



CONSTRUCTION OF STEEL PIPELINE AND ASSOCIATED FACILITIES FOR CGD CONNECTIVITIES

8.1 Power Cable

- 1 Stranded Annealed Copper Conductor up to 16 mm²
- 2 Stranded Aluminium Conductor from 16 mm² and above
- 3 XLPE insulation
- 4 Inner and outer Sheath will be extruded
- 5 Inner sheath will be ST2
- 6 Steel strip/wire armoured
- 7 Outer sheath of cable will be FRLS PVC, ST2 Type
- 8 Voltage grade- 1100 V
- 9 IS 7098, IS: 5831

8.2 Control Cable

- Stranded Annealed Copper Conductor 2.5 sq mm
- PVC insulation type A.
- Inner and outer Sheath will be extruded
- Inner sheath and outer sheath will be ST1
- Steel strip/wire armoured
- Outer sheath of cable will be FRLS PVC, ST1 type
- Voltage grade - 1100 V
- IS-1554 Part I, IS: 5831

8.3 Lighting Cable/Wire in conduit

- 4 core 6 mm² stranded Copper will be used from outdoor lighting DB to junction box on the lighting poles.
- 3 core 2.5 sq. mm stranded copper cable (YWY) will be used from junction box on the lighting pole to lighting fixture. .

8.5 Voltage Drops

The maximum voltage drops in any feeder of the electrical system under steady state conditions at full load shall be within the limits as stated follows:

- Cable between transformer secondary and MV Switchboard/PCC/PMCC - 0.5%
- Cable between MV Switchboard/PCC/PMCC and motors - 5%

	ELECTRICAL DESIGN BASIS	Document No.	Rev
		GAIL-STD-EL-DOC-DB-001	0
		Page 11 of 12 1088 of 1517	



CONSTRUCTION OF STEEL PIPELINE AND ASSOCIATED FACILITIES FOR CGD CONNECTIVITIES

- Cable between MV Switchboard /Auxiliary Switchboard and Lighting Panel / Power Panel	- 1 to 1.5%
- Circuit between lighting panels and lighting points	- 3%
- UPS outgoing circuit	- 5%
- Cable between Switchboard and motor during starting maximum	- 15%



GAIL INDIA LIMITED

TECHNICAL SPECIFICATION OF MAIN ELECTRICAL DISTRIBUTION BOARD (MEDB)

(Doc. No. GAIL-STD-EL-DOC-TS-002)

Rev	Date	Purpose	Prepared By	Checked By	Approved By
0	29.01.2019	Issued As Standard	RKS	SB	SB



CONTENTS

- 1.0 SCOPE
- 2.0 CODES AND STANDARDS
- 3.0 GENERAL REQUIREMENTS
- 4.0 SITE CONDITIONS
- 5.0 DESIGN AND FABRICATION REQUIREMENTS
- 6.0 EQUIPMENT SPECIFICATION
- 7.0 INSPECTION, TESTING AND ACCEPTANCE
- 8.0 PACKING AND DESPATCH

1.0 Scope

This specification covers the requirement of design, fabrication, testing, packing and supply of Medium voltage fixed type distribution board in single front execution required for receipt, control and distribution of power to various medium voltage consumers of the package equipment.

2.0 CODES AND STANDARDS

2.1 The equipment shall comply with the requirements of latest revision of following standards issued by BIS unless otherwise specified.

IS: 772 AC Electricity Meters

IS: 1248 Direct acting electrical indicating instruments

IS: 2705 Current transformers

IS: 2824 Method for determining the comparative tracking index of solid Insulating materials under moist conditions

IS: 3156 Voltage transformers

IS: 3231 Electrical relays for power systems protection.

IS: 3618 Phosphate treatment of iron and steel for protection against corrosion.

IS: 5082 Material data for aluminium bus bars.

IS: 5578 Guide for marking of insulated conductor.

IS: 6005 Code of practice of Phosphating of iron and steel.

IS: 8623 Factory built assemblies of switchgear and control gear for voltages upto and including 1000 V A C and 1200 V DC. Part -II particular requirements for bus bar trucking systems (bus ways).

IS: 11353 Guide for uniform system marking and identification of conductors and apparatus terminals.

IS: 13703 Low voltage fuses.

IS: 13947 LV Switchgear and control gear. (Part-1 to Part-5)

2.2 In case of imported equipment standards of the country of origin shall be applicable if these standards are equivalent or stringent than the applicable Indian standards.

2.3 The equipment shall also conform to the provisions of Indian Electricity rules and other statutory regulations currently in force in the country.

2.4 In case Indian standards are not available for any equipment, standards issued by IEC/BS / VDE/ IEEE/ NEMA or equivalent agency shall be applicable.

- 2.5 In case of any contradiction between various referred standards / specifications / data sheet and statutory regulations the following order of priority shall govern:
- Statutory regulations
 - Data sheets
 - Job specification
 - This specification
 - Codes and standards

3.0 GENERAL REQUIREMENTS

- 3.1 The offered equipment shall be brand new with state of art technology and proven field track record. No prototype equipment shall be offered.
- 3.2 Vendor shall ensure availability of spare parts and maintenance support services for the offered equipment at least for 15 years from the date of supply.
- 3.3 Vendor shall give a notice of at least one-year to the end user of equipment and LEPL before phasing out the product/spares to enable the end user for placement of order for spares and services.


4.0 SITE CONDITIONS

- 4.1 The switchboards shall be suitable for installation and satisfactory operation in a pressurized substation or in substation with restricted natural air ventilation in tropical, humid and corrosive atmospheres. The switchboards shall be designed to operate under specified site conditions. If not specifically mentioned a design ambient temperature of 50° C and altitude not exceeding 1000 meters above mean sea level shall be considered.
- 4.2 All the equipment described in this specification is intended for continuous duty at the Specified ratings under the specified ambient conditions unless indicated otherwise.

5.0 DESIGN AND FABRICATION REQUIREMENTS

Medium voltage distribution board shall meet the requirements of medium voltage distribution board data sheet, and following requirements of this specification in addition to the general requirements as per latest editions of applicable Indian standards.

- 5.1 The distribution board shall be free standing, suitable for wall/floor mounting, with complete front access for operation and maintenance. The distribution board shall be fixed type in single front execution, assembled in single line up, metal enclosed, fully compartmentalised, totally segregated compartments for feeders, cables and bus bar, dust and vermin proof suitable for indoor installation.
- 5.2 Distribution board enclosure shall provide a degree of protection not less than IP-42 as per applicable IS.
- 5.3 The switchgear shall be assembled out of vertical panels of uniform height not exceeding 2450 mm. The maximum height of the operating handle/switches shall not exceed 1900 mm and the minimum height not below 300 mm.
- 5.4 The distribution board shall be designed to ensure maximum safety during operation, inspection, and connection of cables, relocation of outgoing circuits and maintenance

TECHNICAL SPECIFICATION FOR MEDB	Doc No.	Rev	 1093 of 1517
	GAIL-STD-EL-DOC-TS-002	0	
	Page 4 of 9		

- with the energized bus bar system and without taking any special precautions. The switchgear shall permit maximum interchangeability and shall be extensible on either side.
- 5.5 The distribution board shall be sheet steel clad with the frame fabricated out of 2mm cold rolled sheet steel and doors/covers out of 1.6mm cold rolled sheet steel, having heavy duty integral base frame for each vertical panel.
 - 5.6 All hardware shall be corrosion resistant. All joints and connections of the panel members shall be made of galvanised, zinc passivated or cadmium plated high quality steel bolts, nuts and washers, secured against loosening.
 - 5.7 All openings, covers and doors shall be provided with neoprene gaskets around the perimeter to make the distribution board dust and vermin proof. Suitable lifting hooks shall be provided and each shipping section for ease of lifting of switchboard.
 - 5.8 All metal surfaces shall be thoroughly cleaned, degreased to remove mill scale, rust, grease and dirt. Fabricated structure shall be pickled and then rinsed to remove any trace of acid. The under coat shall be prepared by applying a coat of phosphate paint and a coat of yellow zinc chromate primer. The distribution board shall be powder coated. Pre-treatment of the distribution board shall be done by 7 tank process before powder coating. The final paint shade shall be as per manufacturer standard unless specified otherwise.
 - 5.9 The distribution board shall be suitable for bottom cable entry unless specified otherwise and shall be provided with removable gland plates unless otherwise specified. The distribution board shall have a separate cable alley for each vertical panel with cable tying arrangement. The width shall be sufficient to accommodate the required number of cables. However, in any case it shall not be less than 200mm width. The cable alley shall be provided with a suitable hinged door. Required number of single compression nickel plated brass cable glands and tinned copper compression type lugs for all power and control cables shall be included in the vendor's scope of supply.
 - 5.10 The distribution board shall comprise of incoming load break switch/MCCB/Switch Fuse Unit Panel, Contactor, outgoing switch fuse/MCCB, MCB/ contactors feeders, motor starter feeders, control supply transformers, both power and auxiliary/control bus bars, cable termination compartment etc. All these shall be housed in independent compartments separated from each other by metallic barrier.
 - 5.11 Main horizontal bus bars shall be provided at the top in separate compartment. Vertical bus bars required for connection between main bus bars and outgoing feeders shall be in separate vertical chamber. One set of vertical bus bars can be provided for feeding outgoing feeders in two panels on either side of the vertical bus bar.
 - 5.12 All components including bus bars and cable termination shall be accessible only from the front side for repair and maintenance.
 - 5.13 Each outgoing feeder shall be in multitier arrangement having minimum height of individual module as defined in distribution board data sheet. All feeders shall be of modular design with height in multiple of standard unit size.
 - 5.14 Number and rating of feeders shall be as per package vendor's electrical load list/single


line diagram. The components rating and type for various types of outgoing feeders such as motor feeders shall be selected based on package requirement and shown in data sheets.

- 5.15 All auxiliary devices for control, indication, measurement and protection except the bimetallic relays shall be mounted on the front side of the respective compartment. Components requiring frequent inspection during operation shall be easily accessible.
- 5.16 Each vertical panel shall be provided with anti condensation heater rated for 240VAC supply, provided with a switch fuse and thermostat having variable setting range of 30-70° C. Adequate space shall be provided for termination of incoming and outgoing cables.
- 5.17 Main bus bars shall be of high conductivity Electrical Grade aluminum having uniform current rating throughout their length. Horizontal and vertical bus bars shall be sized depending upon the maximum expected current and to limit the specified maximum operating temperature at specified design ambient temperature. Bus bar shall be designed to withstand thermal and mechanical stress due to short circuit current.
- 5.18 The maximum operating temperature of bus bars including joints at the maximum design temperature inside the panel shall not exceed 95°C under normal operating conditions.
- 5.19 Minimum clearance between live parts, between live parts/neutral to ground shall be 19 mm.
- 5.20 Adequately sized auxiliary copper bus bars running horizontally in a separate enclosure shall be provided for space heaters, control supply and metering requirements. Necessary tee-off connections shall be used for distributing auxiliary supply to each vertical panel.
- 5.21 All horizontal and vertical bus bars shall be insulated with heat shrink PVC sleeves of 1100 V grade and removable shrouds shall be provided for joints. All bus bars shall be prominently marked with Red; Yellow and Blue colour rings for easy phase identification at regular interval and at every power tap off point and designed to withstand specified short circuit currents for one second.
- 5.22 Copper earth bus of 30x6 mm size for fault level upto 31.5 KA and 50x6 mm² size for fault level above 31.5 KA shall be provided throughout the length of the distribution board with provision for interconnection to earthing grid at two ends. All non-current carrying metallic parts of the mounted equipment shall be earthed. Doors and movable parts shall be earthed using flexible copper connections.
- 5.23 Inside the distribution boards, the wiring for power, control, signaling protection and instrument circuits shall be done with PVC insulated copper conductors having 660/1100 V grade insulation.
- 5.24 For modules rated above 100 Amp. Preferably copper strip connection shall be used. Minimum size of control wire shall be 1.5 mm² coppers for circuits having fuse rating 10 Amp. or less. For higher fuse rating control circuits, min. 2.5 mm² copper conductor shall be used. Each wire shall be identified at both ends by self-sticking wire marker tapes or PVC ferrules. Transparent shrouds shall be used on outgoing power terminals.

- 5.25 Clamp type terminals shall be acceptable for wires upto 10 mm² size, for conductors larger than 10mm² bolt type terminals with crimping lugs shall be provided. Each wire shall be terminated at a separate terminal. A minimum of 10% spare terminal shall be provided on each terminal block. Shorting links shall be provided for all CT terminals.
- 5.26 All motor starting shall be DOL type unless otherwise specified. 240 V AC control supply for motor starters shall be derived from a common 415/240 V adequately sized transformer for each bus section.
- 5.27 Components of the similar modules of same sizes shall be identically located and wired. Control supply change over switch shall be provided in case the distribution board is with two bus-sections. Identical modules shall be designed such that these can be interchanged in case of emergency.

6.0 EQUIPMENT SPECIFICATION

- 6.1 The number of modules in the panel shall not exceed six for motor starter feeders and eight for switch fuse/MCB/MCCB feeders. The minimum size of module shall be 300 mm and 200 mm for starter and switch fuse feeders. The incomer and bus coupler module sizes for ratings upto 400 A shall be half the panel size. For higher ratings they shall be housed in single panel.
The module door shall be so interlocked that it shall not be possible to open the door with switch/MCCB in closed position. Defeat interlock facility shall be provided.
- 6.2 All fuses shall be non-deteriorating HRC cartridge, pressure fitting link type.
- 6.3 The contactors shall be air break type having AC-3 duty rating as per package requirement. All contactors shall be provided with 2 NO + 2 NC potential free spare auxiliary contacts wired to the terminal block for owner use.
- 6.4 Thermal overload relays shall be three elements; positive acting ambient temperature compensated type with adjustable setting range and built in protection feature against single phasing. Bimetal relays shall be manually reset type with the reset push button provided on the cubicle door.
- 6.5 Current transformers for metering shall have an accuracy class 1.0 and instrument safety factor less than 5. However accuracy class of 3.0 is acceptable for ammeters only for outgoing feeders. Protective current transformers shall have an accuracy class 5P and an accuracy limit factor greater than 10.
- 6.6 All measuring AC instruments shall be moving iron, flush mounting type and of 96 x 96 mm and 72 mm x 72 mm square pattern instruments for incomer and outgoing feeders respectively. Accuracy class shall be 1.0 for KW/KWH meter and 1.0 for a mmeter and voltmeter. Ammeters for motor feeders shall have a non-linear compressed scale at the end to indicate motor starting current and red mark for the normal current.
- 6.7 All selector switches shall be rotary back-connected types having a cam operated contact mechanism with knob type handle. Ammeter selector switch shall have make before break feature on its contacts.
- 6.8 Indicating lamps shall be suitable for 6.0 V A C, complete with built in 240/6V

TECHNICAL SPECIFICATION FOR MEDB	Doc No.	Rev	 1096 of 1517
	GAIL-STD-EL-DOC-TS-002	0	
	Page 7 of 9		

transformers. Lamps shall be provided with translucent covers to diffuse light. Alternately clustered LED type indicating light with minimum 8mm-diameter size shall be considered. The following indicating colours shall be used.

Close/on	:	Red
Open/off	:	Green
Fault trip	:	Amber
Control supply on	:	White

Push button colours shall be as follows:

Stop/ open/emergency	:	Red
Start/close	:	Green
Reset/test	:	Yellow/Black/White

'Stop' push buttons for motor control feeders shall have stay put feature.

All motor starter feeders shall have Stop and Reset push buttons and On and Trip indication lamps.

- 6.9 A centrally located engraved nameplate shall be provided for the switchboard. Each module shall have engraved *nameplate-bearing data* as per approved drawings. Nameplate or *polyester* adhesive stickers shall be provided for each equipment mounted on the switchboard. Identification tags shall be provided inside the panels matching with those shown on circuit diagram. Special warning labels shall be provided on removable covers or doors giving access to cable terminals and bus bars.
- 6.10 At least 20% spare feeders of each rating of outgoing feeders subject to a minimum of one feeder of each rating shall be provided in the switchboard.
- 6.11 Sizing and selection for components of Distribution board shall be submitted to PMC/Owner for review/approval.

7.0 INSPECTION, TESTING AND ACCEPTANCE

- 7.1 In addition to the expediting/inspection activities being undertaken by the package vendor, distribution board shall be subject to inspection by LEPL/Owner or by an agency authorised by the owner. All necessary information concerning the supply shall be furnished to LEPL/Owners inspectors. Two weeks notice shall be given to LEPL/owner for witnessing the final testing of the complete assembly to ensure satisfactory operation of all components.
- 7.2 Tests shall be carried out at the manufacturer works under his supervision and at his cost.
- 7.3 All routine tests as specified by the applicable standards and codes shall be conducted. Type tests certificates of a recognized testing organization shall be furnished with the bids. The vendor shall also submit the guaranteed technical particulars with the bids. Type test certificates shall not be older than 5 years.
- 7.4 In addition, specified tests shall be conducted to check mechanical and electrical


operation and the control wiring to specification and schematic drawings.

- 7.5 Acceptance tests shall be as follows:
- 7.5.1 A general visual check shall be carried out. This shall cover measurement of overall dimensions, location, number, and type of devices and their ratings as per bill of materials, terminal blocks, location and connection of terminals.
- 7.5.2 Manual and electrical operation of switches, contactors, relays etc. under various conditions of supply voltage.
- 7.5.3 Insulation resistance of the main and auxiliary circuit shall be checked.
- 7.5.4 Operation check for every control function as per the schematic diagram by manually simulating the actual operating conditions.
- 7.5.5 Primary injection test to check winding of current transformers, ammeter, ammeter selector switch and correctness of wiring connection between them.
- 7.5.6 Relays shall preferably be tested with secondary injection test equipment.
- 7.6 For equipment bought from other sub-suppliers certified test reports of tests carried out at the manufacturer's works shall be submitted. Normally all routine tests as specified in the relevant standards shall be conducted by the sub-supplier at his works. In addition type test if specified shall be additionally carried out and witnessed by the owner at CPRI/approved testing authority.

8.0 PACKING AND DESPATCH

All the equipment shall be divided into several shipping sections for protection and ease of handling during transportation. The equipment shall be properly packed for transportation by ship/rail or trailer. The panels shall be wrapped in polyethylene sheets before being placed in wooden crates/cases to prevent damage to the finish. Crates/cases shall have skid bottoms for handling. Special precaution notations such as Fragile, This side up, center of gravity, weight, Owner's particulars, Purchase number etc. shall be clearly marked on the package together with other details as per purchase order. The equipment may be stored outdoors for long periods before installation. The packing should be suitable for outdoor storage in areas with heavy rains and high ambient temperature unless otherwise agreed.

* * * * *

TECHNICAL SPECIFICATION FOR MEDB	Doc No.	Rev	 1098 of 1517
	GAIL-STD-EL-DOC-TS-002	0	
Page 9 of 9			



GAIL INDIA LIMITED

TECHNICAL SPECIFICATION OF CABLES

(Doc. No. GAIL-STD-EL-DOC-TS-003)

Rev	Date	Purpose	Prepared By	Checked By	Approved By
0	29.01.2019	Issued As Standard	RKS	SB	SB



CONTENTS

1. SCOPE
2. STANDARDS
3. GENERAL CONSTRUCTION
4. CABLES ACCESSORIES
5. INSPECTION, TESTING AND ACCEPTANCE
6. MISCELLENOUS MATERIAL SPECIFICATIONS
7. CABLE LAYING
8. TERMINATIONS
9. TESTING
10. PACKING AND DESPATCH

1.0 SCOPE

This specification along with data sheets covers requirements for design, manufacture, testing at works and supply of Flame Retardant Low Smoke (FRLS) PVC cables and cable terminating accessories for medium voltage systems.

2.0 STANDARDS

2.1 The cables and cables j ointing & terminating accessories shall comply with the latest edition of the following standards as applicable:

IS: 1554 [Part-I]	PVC insulated (heavy duty) electric cables.
IS: 7098	Cross-linked polyethylene insulated PVC sheathed.
IS: 8130	Conductors for insulated electric cables and flexible cords.
IS: 5831	PVC insulation and sheath of electric cables.
IS: 3975	Mild steel wires, strips and tapes for armouring of cables.
10810(Part 41)	Methods of test for cables: Mass of zinc coating on steel armour.
IS: 209	Specification for zinc.
IS: 3961(Pt-2)	Recommended current ratings for cables: Part - 2 PVC Insulated and PVC sheathed heavy-duty cables.
IS: 10418	Drums for electric cables.
IS: 10462 (Pt-I)	Fictitious calculation method for determination of Dimensions of protective coverings of cables: Part - I Electrometric and thermoplastic insulated cables
IS: 10810 (Pt-58)	Oxygen Index test.
IS: 10810 (Pt 61)	Flame Retardant test.
IS: 10810 (Pt 62)	Fire resistance test for bunched cables.
IEC: 60332-3	Tests on electric cables under fire conditions.
IEC: 60502	Extruded solid dielectric insulated power cables for rated Voltages from 1 kV.up to 30 kV.
IEC: 60540 & 60540A	Test methods for insulation and sheaths of electric Cables.
ASTM: D2863	Standard method of test for flammability of plastics using oxygen index method.
ICEA S-61-402	Thermoplastic insulated wire and cable for transmission and distribution of electrical energy.
NEMA-WC5	
ICEA S-66-524	Cross-linked thermosetting polyethylene insulated wire and cable for transmission and distribution of electrical energy.
NEMA-WC7	
SP: 30 (BIS)	Special Publication – National Electrical Code.
IS: 10810 (Part 43)	Method of Test for cables; Part 43 Insulation resistance.
IS: 10810 (Part 45)	Method of Test for cables: Part 45 High voltage test.
OISD 147	Inspection and safe practice during electrical installation
OISD 173	Fire prevention and protection system for electrical installation

2.2 In addition to the above it shall be ensured that the installation conforms to the requirements of the following as applicable:


- a. Indian Electricity Act and Rules.
- b. Regulations laid down by CEA/Electrical Inspectorate.
- c. Regulations laid down by CCE/DGMS (as applicable).
- d. The petroleum rules (Ministry of Industry Government of India).

- e. Any other regulations laid down by central/state/local authorities and Insurance agencies.
- 2.3 The cables and accessories shall also conform to the provisions of Indian Electricity Rules and other statutory regulations, as applicable.
- 2.4 In case of any contradiction between various referred standard/ specification/data sheet and s tatutory regulations, the following order of priority shall govern:

Statutory Regulations
 Data Sheets
 Job Specifications
 This Specification
 Codes and Standards

3.0 GENERAL CONSTRUCTION

- 3.1 The cables shall be suitable for laying in trays, trenches, ducts, and conduits and for underground-buried installation with uncontrolled backfill and possibility of flooding by water and chemicals.
- 3.2 Outer sheath of all PVC cables shall be black in colour and the minimum value of oxygen index shall be 29 at $27 \pm 2^\circ$ C. In addition suitable chemicals shall be added into the PVC compound of the outer sheath to protect the cable against rodent and termite attack.
- 3.3 All cables covered in this specification shall be Flame Retardant Low Smoke(FRLS) unless specified otherwise in the data sheet. The outer sheath of PVC and XLPE cables shall possess flame propagation properties meeting requirements as per IS-10810 (Part-62) category AF.
- 3.4 Sequential marking of the length of the cable in metres shall be provided on the outer sheath at every one metre. The embossing / engraving shall be legible and indelible.
- 3.5 The overall diameter of the cables shall be strictly as per the values declared by the manufacturer in the technical information subject to a maximum tolerance of ± 2 mm up to overall diameter of 60mm and ± 3 mm for beyond 60mm.
- 3.6 PVC / Rubber end caps shall be supplied free of cost for each drum with a minimum of eight per thousand metre length. In addition, ends of the cables shall be properly sealed with caps to avoid ingress of water during transportation and storage.
- 3.7 The cables used in installations under the jurisdiction of Director General of Mines and Safety (DGMS) shall be of copper conductor only, and shall have valid DGMS approvals for the specified locations. The word " Mining Cable" shall be embossed / engraved on the cable outer sheath as per the applicable Indian Standards
- 3.8 PVC cables
- 3.8.1 All power/control cables for use on medium voltage systems shall be heavy-duty type, 650/1100 V grade with aluminium / copper conductor, PVC insulated, inner-sheathed, armoured and overall PVC sheathed unless specified otherwise in data sheet.
- 3.8.2 The conductors shall be solid for conductor of nominal area up to and including 6mm^2 and stranded beyond 6mm^2 . Conductors of nominal area less than 16mm^2 shall be circular only. Conductors of nominal area 16mm^2 and above may be circular or shaped as per IS 8130. Cables with reduced neutral conductor shall have sizes as per Table I of IS 1554 (Part-I).

TECHNICAL SPECIFICATION FOR CABLES	Doc No.	Rev	 1102 of 1517
	GAIL-STD-EL-DOC-TS-003	0	
Page 4 of 13			

- 3.8.3 The core insulation shall be with PVC compound applied over the conductor by extrusion and shall conform to the requirements of type 'A' compound as per IS: 5831. The thickness of insulation and the tolerance on thickness of insulation shall be as per Table 2 of IS: 1554 (Part-I). Control cables having 6 cores and above shall be identified with prominent and indelible Arabic numerals on the outer surface of the insulation. Colour of the numbers shall contrast with the colour of insulation with a spacing of maximum 50 mm between two consecutive numbers. Colour coding for cables up to 5 cores shall be as per Indian standard.
- 3.8.4 The inner sheath shall be applied over the laid-up cores by extrusion and shall be of PVC conforming to the requirements of Type ST-1 PVC compound as per IS: 5831. The minimum thickness of inner sheath shall be as per IS: 1554 (Part-I). Single core cables shall have no inner sheath.
- 3.8.5 If armouring is specified for multicore cables in the data sheet, the same shall be by single round galvanised steel wires where the calculated diameter below armouring does not exceed 13 mm and by galvanised steel strips where this dimension is greater than 13 mm. Requirement and methods of tests for armour material and uniformity of galvanisation shall be as per IS - 3975 and IS -10810 (Part 41). The dimensions of Armour shall be as per method (b) of IS - 1554 (Part -1). If armouring is specified for single core cables in the data sheet, the same shall be with H4 grade hard drawn aluminium round wire of 2.5 mm diameter.
- 3.8.6 The outer sheath for the cables shall be applied by extrusion and shall be of PVC compound conforming to the requirements of type ST-1 compound as per IS: 5831. The minimum and average thickness of outer sheath for unarmoured cables and minimum thickness of outer sheath for armoured cables shall be as per IS: 1554 (Part -1).
- 3.8.7 If heat resisting PVC cables are specified in the data sheet, the following shall be the requirements: It shall be possible to continuously operate the cable at a maximum conductor temperature of 85° C. PVC compounds used for HR PVC cables shall be as follows:
- a. Conductor insulation - Type C
 - b. Inner sheath - Type ST 2
 - c. Outer sheath - Type ST 2

3.9 Control Cables:

Control cables shall be 1100 Volt Grade, 2.5 mm² copper conductor PVC insulated PVC sheathed FRLS, single wire armored with an overall PVC sheath, as per IS: 1554 pt. I. All cables shall be of armored type only.


3.10 XLPE Cables

Power cables for 3.3 kV system shall be with Aluminium conductor, XLPE insulated (unearthed grade), screened, sheathed, armoured and overall PVC sheathed.

The construction of the conductors shall be stranded and compacted circular for all cables.

The cables shall be provided with both conductor screening and insulation screening. The conductors shall be provided with non-metallic extruded semi-conducting shielding.

The core insulation shall be with cross-linked polyethylene unfilled insulating compound. It shall be free from void and shall withstand all mechanical and thermal stresses under steady state and transient operating conditions.

TECHNICAL SPECIFICATION FOR CABLES	Doc No.	Rev	 1103 of 1517
	GAIL-STD-EL-DOC-TS-003	0	
Page 5 of 13			

The insulation shielding shall consist of non-metallic extruded semi-conducting compound in combination with a non-magnetic metallic screening of copper. The insulation screen shall be strippable without application of heat. The copper screen shall be capable of carrying the single line to ground fault current of 1 kA for a duration of one (1) second.

The conductor screen XLPE insulation and insulation screen shall all be extruded in one operation by "Triple Extrusion" process to ensure perfect bonding between the layers. The core identification shall be colored strips or by printed numerals.

The inner sheath shall be applied over the laid up cores by extrusion and shall conform to the requirements of Type ST2 compound of IS:5831. The extruded inner sheath shall be of uniform thickness of size not less than 0.7 mm for all sizes of cables.

For multicore cables, the armouring shall be by galvanized steel strips armouring for single core cables shall be with hard-drawn aluminium round wire of 2.5 mm diameter.

The outer sheath for the cables shall be supplied by extrusion over the armouring and shall be of PVC compound conforming to the requirements of Type ST2 compound of IS: 5831. To protect cable against rodent and termite attack, suitable chemicals shall be added into the PVC compound of the outer sheath.

3.11 Cable Sizing:

Following factors to be considered for cable sizing:

- (i) Continuous current
- (ii) Fault current
- (iii) Voltage drop (Running & Motor starting)

4.0 CABLE ACCESSORIES

4.1 The termination and straight through jointing kits for use on the systems shall be suitable for the type of cables offered as per this specification.

4.2 The accessories shall be supplied in kit form. Each component of the kit shall carry the manufacturer's mark of origin.

4.3 The kit shall include all stress grading, insulating and sealing materials apart from conductor fittings and consumable items. An installation instruction sheet shall also be included in each kit.


4.4 The contents of the accessories kit including all consumable shall be suitable for storage without deterioration at a temperature of 45° C, with shelf life extending to more than 5 years ..

4.5 Terminating kits

The terminating kits shall be suitable for termination of the cables to an indoor switchgear or to a weatherproof cable box of an outdoor mounted transformer / motor. For outdoor terminations, weather shields / sealing ends and any other accessories required shall also form part of the kit. The terminating kits shall be from one of the makes / types mentioned in the data sheet.

4.6 Jointing kits

The straight through jointing kits shall be suitable for installation on overhead trays, concrete lined trenches, and ducts and for underground burial with uncontrolled backfill and possibility of flooding by water and chemicals. These shall have protection against any mechanical damage and suitably designed to be protected against rodent and termite attack. The inner sheath similar to that provided for cables shall be provided as part of straight through joint. The jointing kits shall be from one of the makes / types

TECHNICAL SPECIFICATION FOR CABLES	Doc No.	Rev	 1104 of 1517
	GAIL-STD-EL-DOC-TS-003	0	
Page 6 of 13			


mentioned in the data sheet.

5.0 INSPECTION, TESTING AND ACCEPTANCE

The cables shall be tested and inspected at the manufacturer's works. All the materials employed in the manufacture of the cable shall be subjected, both before and after manufacture, to examination, testing and approval by LEPL / owner. Manufacturer shall furnish all necessary information concerning the supply to LEPL / owner's inspectors. The inspector shall have free access to the manufacturer's works for the purpose of inspecting the process of manufacture in all its stages and he will have the power to reject any material, which appears to him to be of unsuitable description or of unsatisfactory quality. The vendor shall give at least 2 weeks advance notice to the purchaser, regarding the date of testing to enable him or his representative to witness the tests.

5.1 Cables

- 5.1.1 After completion of manufacture of cables and prior to despatch, the cables shall be subjected to type, routine, acceptance and special tests as detailed below. LEPL/Owner reserves the right to witness all tests with sufficient advance notice from vendor. The test reports for all cables shall be got approved from the Engineer before despatch of the cables.
- 5.1.2 All routine tests, acceptance tests, type tests and additional type tests for improved fire performance shall be carried out as listed in IS: 1554 (Part-I), and IS: 7098 (Part-2) on PVC and XLPE insulated cables respectively.
- 5.1.3 The test requirements for PVC insulation and sheath of cables shall be as per latest revision of IS: 5831
- 5.1.4 Test for Resistance to Ultra Violet Radiation: This test shall be carried out as per DIN 53387 or ASTM-G-53 on outer sheath. The retention value of tensile strength and ultimate elongation after the test shall be minimum 60 % of tensile strength and ultimate elongation before the test. Test certificates with respect to this test (not older than one year) from recognised testing laboratory to be furnished for review by LEPL before despatch clearance of cables. In case test certificates are not available, test is to be conducted by vendor at his own cost in any recognised test laboratory or in house testing laboratory, before despatch clearance of cables. Sampling for this test is to be done randomly once for each order, provided outer sheath remains same.
- 5.1.5 Acceptance tests as per IS-15 54 (Part-I) and IS -7098 (Part-2) and the following special tests to be performed on the cables as per sampling plan. These tests are required to be witnessed by LEPL /owner before despatch of cables.
- Accelerated water absorption test for insulation as per NEMA - WC - 5. (For PVC insulated cables) and as per NEMA WC - 7 (for XLPE insulated cables). Test certificates with respect to this test (not older than one year) from recognised testing laboratory to be furnished for review by LEPL before despatch clearance of cables. In case test certificates are not available, test is to be conducted by vendor at his own cost in any recognized test laboratory or in house testing laboratory, before despatch clearance of cables. Sampling for this test is to be done randomly once for each order, provided type of insulation remains same.
 - Dielectric Retention Test: The dielectric strength of the cable insulation tested in accordance with NEMA WC - 5 at $75 \pm 1^{\circ} \text{e}$ shall not be less than 50 % of the original dielectric strength. (For PVC insulated cables). Test certificates with respect to this test (not older than one year) from recognised testing laboratory to be furnished for review by LEPL before despatch clearance of cables. In case test certificates are not available, test is to be conducted by vendor at his own cost in any recognized test laboratory or in house testing laboratory, before despatch clearance of cables. Sampling for this test is to be done randomly and once for each order.
 - Oxygen Index Test: The test shall be carried out as per ASTM D2863 or applicable Indian Standard specifications. Sampling to be done for every offered lot/size as per sampling plan.

TECHNICAL SPECIFICATION FOR CABLES	Doc No.	Rev	
	GAIL-STD-EL-DOC-TS-003	0	
Page 7 of 13			1105 of 1517

- d. **Flammability Test:** The test shall be carried out on finished cable as per IS - 10810 (part 61 & 62). Sampling for these tests is to be done randomly once for each order, provided outer sheath remains same. The acceptance criteria for tests conducted shall be as under:
 Part-61- The cable meets the requirement if there is no visible damage on the test specimen within 300 mm from its upper end.
 Part-62- The maximum extent of the charred portion measured on the test sample should not have reached a height exceeding 2.5 m above the bottom edge of the burner at the front of the ladder.
- e. **Test for rodent and termite repulsion property:** The vendors shall furnish the test details to analyse the property by chemical method. Sampling to be done for every offered lot / size as per sampling plan.

5.2 Cable Accessories

Type tests should have been carried out to prove the general qualities and design of a given type of termination / jointing system as per IS-13573. The type test certificates from independent testing laboratory shall be submitted before despatch.

6. MISCELLANEOUS MATERIAL SPECIFICATIONS

All materials and hardware to be supplied by the contractor shall be new, unused and of best quality and shall conform to the latest specifications of Bureau of Indian Standards.

6.1 Cable Trays:

These shall be ladder type trays either prefabricated hot dip galvanized sheet steel trays or site fabricated angle iron painted trays as specifications of Bureau of Indian Standards.

6.1.1 Pre-fabricated hot dipped galvanized trays

The cable trays shall comply to the requirements specified in LEPL installation std.

6.1.2 Site fabricated angle iron trays


Angle iron cable trays shall be fabricated from standard rolled angle iron sections of size 75x75x8 for runners for supporting spans limited to 3000 mm. Cross support shall be 25 x 6 mm MS flat for tray width upto 500 mm and 32 x 6 mm flat for tray of more than 500 mm wide and spacing between two cross supports shall not exceed 250 mm.

- 6.1.3 Vertical supports for both the prefabricated and site fabricated type trays shall be fabricated out of ISMC 100 and horizontal supports shall be with 65 x 65 x 6 mm angle iron sections. Outer most tier of all vertical cable trays shall be covered with GI sheet for protection against physical damage to cables.

Cable racks and trays shall be covered by removable top covers on upper most tier allowing adequate ventilation in following cases where :

- Mechanical damage of cables is likely to occur during maintenance in the plant.
- Oil or spillage of chemicals can be expected.
- Protection from exposure to sun is required.

GI cover sheet shall allow adequate ventilation to the cables and shall be in standard length of 3000 mm, flanged on both sides for fixing on cable tray. Covers shall be complete with required GI hardware.

TECHNICAL SPECIFICATION FOR CABLES	Doc No.	Rev	 1106 of 1517
	GAIL-STD-EL-DOC-TS-003	0	
Page 8 of 13			

6.2 Cable Glands:

Cable glands shall be of nickel plated brass double compression type suitable for outdoor termination. For indoor protected location single compression glands may also be considered selectively, cable glands for the flameproof equipments located in zone-1 and zone-2 areas shall be of flameproof type and suitable for the Hazardous location. They shall be CMRS tested/certified.

6.3 Connectors:

Power cable terminations shall be made with crimped type tinned copper solderless lugs which shall be suitable for the cable size mentioned in cable schedule.

6.4 Ferrules:

Ferrules shall be of approved type and of size to suit core size mentioned and shall be employed to designate the various cores of control cable by the terminal numbers to which the cores are connected, for ease of identification.

7. CABLE LAYING**7.1 General**

Cable installation shall include power, control, lighting etc. cables. These shall be laid in trenches/ cable trays as detailed in the cable layout drawings. Cable routing given on the cable layout drawings shall be checked in the field so as to avoid interference with structures, heat sources, drains, piping, airconditioning duct etc. Any change in routing shall be done to suit the field conditions wherever deemed necessary, after obtaining approval of Engineer-in-charge.

- 7.1.1 LT power and control cables shall be separated from each other by adequate spacing or by running through independent pipes, trenches or cables trays, as shown on layout drawings/installation standards. Details of cable routes and cable spacing not shown in detail on these drawing shall be determined by the contractor and approved by the engineer in-charge.


When single core cables are laid in flat formation, the individual cable fixing clamps and spacers shall be of non-magnetic material. As a general practice, the sheath of single core cables shall be earthed at one point to keep sheath at earth potential unless otherwise stated. Single core cables, when laid in trefoil formation shall be braced by suitable clamps at a distance, not exceeding 3 meters along the cable routing.

The Telephone, Communication and Fire alarm cables shall run on instrument trays/ducts/ trenches in the units. Wherever these are not available, cables shall be taken in a separate trench/tray with a min. spacing of 600 mm from power and control cables but in any case such separation shall not be less than 300 mm.

Telephone, fire alarm and plant communication cables shall be directly buried in road berm area, (unless otherwise specified in cable layout drawings) .. These cables shall cross power cables preferably at right angles. Street lighting cables shall be laid on the other side of road berm area

- 7.1.2 The lengths indicated in the cables schedule are only approximate. The contractor shall ascertain the exact length of cable for a particular feeder by measuring at site. All cable routes shall be carefully measured. Before the start of cable laying, the contractor shall prepare cable drum schedule and get that approved by Engineer-in-charge to minimise/avoid straight through joints and then the cables cut to the required lengths, leaving sufficient lengths for the terminations of the cable at both ends. The various cable lengths cut from the cable reels shall be carefully selected to prevent undue wastage of cables. Extra loop length shall be given for feeder cables where required as per the directions of Engineer-in-charge to meet contingencies

Cables shall be laid in directly buried trench or in RCC trench (underground trench) or in cable tray along pipe sleeves as shown on cable layout drawings.

TECHNICAL SPECIFICATION FOR CABLES	Doc No.	Rev	
	GAIL-STD-EL-DOC-TS-003	0	
Page 9 of 13			1107 of 1517


- 7.1.3 Cables shall be neatly arranged in the trenches / trays in such a manner that criss-crossing is avoided and final take off to the motor / switchgear is facilitated. Arrangement of cables within the trenches / trays shall be in line with cable layout drawings. Cable routing between cable trench and equipment/motors shall be taken through GI pipe sleeves of adequate size. Pipe sleeves shall be laid at an angle of maximum 45° to the trench wall. Bending radii of pipes shall not be less than 8D. It is to be ensured that both the ends of GI pipe sleeves shall be sealed with approved weather proof sealing plastic compound after cabling. In places where it is not possible, cables shall be laid in smaller branch trenches.
- 7.1.4 All cables shall be identified close to their termination point by cable tag numbers as per cable schedule. Cable tag numbers shall be punched on aluminium straps (2mm thick, 20 mm wide and of enough length) securely fastened to the cable and wrapped around it.
- Each underground cable shall be provided with cable tags of lead securely fastened every 30 m of its underground length with at least one tag at each end before the cable enters/leaves the ground. In unpaved areas, cable trenches shall be identified by means of cable markers as per installation drawing. These cable markers shall be placed at location of changes in the direction of cables and at intervals of not more than 30 m and also at cable straight through joint locations.
- 7.1.5 All temporary ends of cables must be protected against dirt and moisture to prevent damage to the insulation. For this purpose, ends of cables shall be taped with an approved PVC end cap or rubber insulating tape.
- 7.1.6 Each row of cables shall be laid in place and before covering with sand. All wall openings/pipe sleeves shall be effectively sealed after installation of cables to avoid seepage of water inside building/lined trench. Every cable shall be given an insulation test in presence of Engineer-in-charge/Owner before filling the cable trench with sand. Any cable which is found defective shall be replaced.
- 7.1.7 Where cables pass through foundation walls, the necessary openings shall be provided in advance for the same by another agency. However, should it become necessary to cut holes in existing structures for example floor slab etc., the electrical contractor shall determine their location and obtain approval of the Engineer-in-charge before carrying out the same.
- 7.1.8 Cables for road crossings shall be taken through ERC (Electrical Road Crossing) as shown in the cable layout drawings.
- At road crossing and other places where cables enter pipe sleeves adequate bed of sand shall be given so that the cables do not slack and get damaged by pipe ends.
- 7.1.9 Wherever cable trench crosses storm water, waste water channel/drain, cables shall be taken through PVC/RCC pipes. Where cables are required to cross drains of depth more than 1200 mm, cables shall be taken over the drain on cable trays supported suitably using ISMC 150/200 sections.
- 7.1.10 Ends of cables leaving trench shall be coiled & capped and provided with protective cover till such time the final termination to the equipment is completed.

7.2 Cables laid direct in ground

Cables shall be laid underground in excavated cable trenches where specified in cable layout drawings. Trenches shall be of sufficient depth and width for accommodation of all cables. Cables shall be properly spaced and arranged with a view of heat dissipation and economy of design. Maximum number of cable layers in trench shall be preferably limited to 5 layers.

Minimum depth of cable trench shall be 750 mm for LT Cables. The depth and the width of the trench shall vary depending upon the number of layers of cables as per LEPL installation Standards

Cables shall be laid in buried trenches at depth as shown in the cable layout drawings. It is to be insured by the contractor that the bottom of buried trenches shall be cleared of all rocks, stones and sharp objects before cables are placed. The trench bottom shall be filled with a layer of sand. This sand shall be leveled and cables laid over it. These cables shall be covered with 150 mm of sand on top of the largest diameter

TECHNICAL SPECIFICATION FOR CABLES	Doc No.	Rev	 1108 of 1517
	GAIL-STD-EL-DOC-TS-003	0	
Page 10 of 13			

cable and sand shall be lightly compacted. A flat protective covering of 75 mm thick second class red bricks shall then be laid and the remainder of the trench shall then be back-filled with soil, rammed and leveled.

7.3 Cables laid in concrete trench

Cables shall be laid in 3 or 4 tiers in concrete trench as shown on layout drawings. Concrete cables trenches shall be filled with sand in hazardous area to avoid accumulation of hazardous gases and oil. RCC covers of trenches shall be effectively sealed to avoid ingress of chemical and oil in process area. Removal of concrete covers where required for the purpose of cable laying and reinstating them in their proper position after cables are laid shall be done by electrical contractor.

All wall openings/pipe sleeves shall be effectively sealed after installation of cables to avoid seepage of water

7.4 Above ground cables

- 7.4.1 Cables installed above grade shall be run in cable trays, clamped on walls, ceiling or structures and shall be run parallel or at right angles to beams, walls or columns. Cable routing shall be planned to be away from heat sources such as hot piping, gas, water, oil drainage piping, air-conditioning duct etc. Each cable tray shall contain only one layer of cables as far as possible for power cables. However control cables may be laid in double layer in the cable trays.
- 7.4.2 Individual cable or small group of cables (upto 3 to 4 cables) which run along structures / walls etc. shall be clamped by means of 16 SWG GI saddles on 25 x 6 mm saddle bars. Alternatively small group of cables can be taken through 100/150 mm slotted channel tray / ISMC 100. Cables shall be supported so as to prevent sagging. In general, distance between supports shall be approximately 300 mm for cables upto 25 mm diameter and maximum 450 mm for cables larger than 25 mm dia. to prevent the sagging of cables.
- 7.4.3 Cable laid on supporting angle in cable trenches, structures, columns and vertical run of cable trays shall be suitably clamped by means of G.I. saddles / clamps, whereas cables in horizontal run of cable trays shall be tied by means of nylon cords. Distance between supporting angles shall not exceed 600 mm.
- 7.4.4 All cable trays (other than galvanised trays) and supporting steel structures shall be painted before laying of cables. The under surfaces shall be properly degreased, derusted, descaled and cleaned. The painting shall be done with one coat of redoxide zinc chromate primer. Final painting shall be done with two coats of approved bituminous aluminium paint unless otherwise specified.
- 7.4.5 Where cables rise from trench to motor, lighting panel, control station, junction box etc., they shall be taken in GI pipe for mechanical protection upto a minimum of 300 mm above grade. Cable ends shall be carefully pulled through conduit to prevent damage to cable.
- 7.4.6 All G.I. Pipes shall be laid as per layout drawings and site conditions. Before fabrication of various profiles of pipes by hydraulically operated bending machine (which is to be arranged by the contractor) all the burrs from the pipes shall be removed. GI Pipes having bends shall be buried in soil/concrete in such a way that the bend shall be totally concealed. For G.I. pipes buried in soil, bitumen coating shall be applied on the buried lengths, Installation of G.I. pipes shall be undertaken well before paving is completed and necessary coordination with paving agency shall be the responsibility of Electrical Contractor.

Following guide shall be used for sizing of G.I. pipe.

- | | | |
|----|------------------------------|---|
| a) | 1 cable in a pipe | - 53% of pipe cross-sectional area occupied by cables. |
| b) | 2 cables in a pipe | - 31% of pipe cross-sectional area occupied by cables. |
| c) | 3 cables in a pipe | - 43 % of pipe cross-sectional area occupied by cables. |
| d) | 4 and above cables in a pipe | - 40 % of pipe cross-sectional area occupied by cables. |

- 7.4.7 After the cables are installed and all testing is complete, conduit ends above grade shall be plugged with a suitable weatherproof plastic compound/bitumen/suitable sealing compound. Alternatively rubber bushes

shall be employed for the purpose of sealing.

8. TERMINATIONS

- 8.1 PVC / XLPE cables up to 1100V grade shall be terminated at the equipment by means of compression type cables glands suitable for the cable size. They shall have a screwed nipple with conduit electrical threads and check nut. The cables shall be identified close to their termination points at both the ends of cable (cable numbers shall be punched on aluminium straps 2 mm thick and securely fastened to the cable, wrapped around it) and also along the route at recommended intervals, by cable tag numbers.

All cable entries for outdoor termination shall be preferably through bottom. Outdoor cable termination through top of equipment shall not be permitted.

- 8.2 Power cables cores wherever colour coding is not available shall be identified with red, yellow and blue PVC tapes. Where copper to aluminium connections are made, necessary bimetallic washers shall be used.
- 8.3 In case of control cables, all cores shall be identified at both ends by their terminal numbers by means of PVC ferrules suitable for core size. Wire numbers shall be as per schematic/ wiring/inter-connection diagram. All unused spare cores of control cables shall be neatly bunched and ferruled with cable tag at both ends, for future use.


For trip circuit identification additional red ferrules shall be used only in the particular cores of control cables at the termination points in the Switchgear/ Control panels and Control Switches.

- 8.4 Contractor shall drill holes for fixing glands wherever necessary. Gland plate shall be of non-magnetic material/ aluminium sheet in case of single core cables. All unused cable entries on equipment/panels shall be plugged/sealed.
- 8.5 The cable shall be terminated at electrical equipment/switchboards through glands of proper size. The individual cores shall then be dressed and taken along the cables ways or shall be fixed to the panels with polyethylene straps. The cable glanding shall be done as per manufacturers instructions. Cable armour shall not be exposed after termination is complete. In case of termination of cables at the bottom of a panel over a cable trench having no access from the bottom close fit holes shall be drilled in the gland plate for all the cables in one line, then gland plate shall be split in two parts along the centre line of holes. After fixing bottom plate, uncovered cable holes/gaps shall be sealed with cold setting compound.
- 8.6 Crimping of lugs to cable leads shall be done by hand crimping / hydraulically operated tool as per requirement. Insulation of the leads shall be removed before crimping. Conductor surface shall be cleaned and shall not be left open. Suitable conducting jelly shall be applied on the conductor lead. Lugs shall enclose all strands of cable core. Cutting of strands shall not be allowed.
- 8.7 The contractor shall bring to the notice of Engineer-in-charge any mismatch in cable glands, lugs provided with the equipment vis-a-vis to the cable size indicated in cable schedule for taking corrective action.
- 8.8 The cable joints in power and control cables shall be avoided as far as possible. In case a joint is unavoidable, the following shall be insured:

- The number of joints shall be restricted to minimum as far as possible.
- The location of joints shall be identified with permanent markers.
- No joints shall be allowed in hazardous areas without the approval of Engineer-in-charge.

The jointing and termination of medium voltage power cables shall be carried out by trained personnel only. Jointing and termination of high voltage cables shall be done by skilled and experienced jointer duly approved by Engineer-in-charge. Only type tested termination kits of approved make shall be used.

- 8.9 No unauthorised repairs, modifications shall be carried out on the hazardous area equipment terminal boxes and junction boxes. Damaged enclosures of hazardous area equipment shall be brought to the notice of Engineer-in-charge by contractor. After termination is complete, all the bolts, nuts, hardware of terminal box shall be properly placed in its position and tightened.

TECHNICAL SPECIFICATION FOR CABLES	Doc No.	Rev	
	GAIL-STD-EL-DOC-TS-003	0	
Page 12 of 13			1110 of 1517

- 8.10 Where required, cable sealing boxes intended to be used with the apparatus shall be filled with solid setting type bituminous compound unless otherwise specified.

9. TESTING AND COMMISSIONING

- 9.1 Field testing and commissioning of electrical installation shall be carried out as per LEPL specification.
- 9.2 Before energizing, the insulation resistance of every circuit shall be measured from phase to phase, phase to neutral and from phase/ neutral to earth.
- 9.3 Where terminations are required in circuits rated above 650 volts, insulation resistance of each length of cable shall be measured before terminating. After completion of terminations measurements shall be repeated.
- 9.4 The insulation resistance of directly buried cables shall be measured before cable trenches are backfilled. Measurements shall be repeated after back filling.

For cables upto 1.1 kV grade 1000 V Megger shall be used.

- 9.5 All checks and tests shall be made as per LEPL standard test performa available with site engineer.
- 9.6 Cable schedule, cable layout drawings, Interconnection drawings shall be marked by contractor's 'AS BUILT STATUS' and two sets of copies shall be submitted to LEPL/Owner.

10. PACKING AND DESPATCH

- 10.1 Cables shall be despatched in non-returnable wooden or steel drums of suitable barrel diameter, securely battened, with the take-off end fully protected against mechanical damage. The wood used for construction of the drum shall be properly seasoned, sound and free from defects. Wood preservatives shall be applied to the entire drum. Ferrous parts used shall be treated with a suitable rust preventive finish or coating to avoid rusting during transit or storage.
- 10.2 On the flange of the drum, necessary information such as project title, manufacturer's name, type, size, voltage grade of cable, length of cable in metres, drum no., cable code, BIS certification mark, gross weight etc. shall be printed. An arrow shall be printed on the drum with suitable instructions to show the direction of rotation of the drum.
- 10.3 Unless otherwise specified, Cables shall be supplied in drum lengths as follows:

LT Cables

Multicore Power cables upto 6 mm ²	1000m
Multicore Power cables from 10mm ² up to 300 mm ²	500m
Single Core Power cables upto 630 mm ²	1000m
Control cables upto 61 cores	1000m

A tolerance of $\pm 3\%$ shall be permissible for each drum. However, overall tolerance on each size of cable shall be limited to $\pm 2\%$. Offers with short / non-standard lengths are liable for rejection. If non-standard drum lengths are specified in the data sheet, the same shall be supplied.



GAIL INDIA LIMITED

TECHNICAL SPECIFICATION OF LIGHTING SYSTEM


(Doc. No. GAIL-STD-EL-DOC-TS-004)

Rev	Date	Purpose	Prepared By	Checked By	Approved By
0	29.01.2019	Issued As Standard	RKS	SB	SB



CONTENTS

- 1.0 SCOPE
- 2.0 STANDARDS
- 3.0 EQUIPMENT SPECIFICATION
- 4.0 LIGHTING SYSTEM
 - 4.1 General
 - 4.2 Conduit System
 - 4.3 Hazardous Area
 - 4.4 Building Lighting
 - 4.5 Street Lighting
- 5.0 TESTING AND COMMISSIONING

TECHNICAL SPECIFICATION FOR LIGHTING SYSTEM	Doc No.	Rev	
	GAIL-STD-EL-DOC-TS-004	0	
Page 2 of 11			

1.0 SCOPE

This specification defines the requirements for the supply of equipment, materials, installation, testing and commissioning of the lighting system (lighting fixtures, lighting power distribution etc.).

2.0 CODES AND STANDARDS

2.1 The work shall be carried out in the best workmanlike manner, in conformity with this specification LEPL Installation Standards, and the relevant specifications/codes of practice of the Bureau of Indian Standards.

2.2 In addition to the above it shall be ensured that the installation conforms to the requirements of the following as applicable:

- a. The applicable Indian standards are listed below but are not limited to:
IS : 732 - Code for practice for electrical wiring installations (3 parts).
IS : 2148 - Specification for flameproof enclosures of electrical apparatus.
IS : 3043 - Code of Practice for Earthing.
IS : 5571 - Guide for Selection of Electrical equipments for Hazardous areas.
IS : 5572 - Classification of Hazardous areas(other than mines) having flammable gases and vapours for electrical installation.
Listed above Indian standards have priority over than than standards:

INTERNATIONAL STANDARDS :

IEC 60079 : Electrical apparatus for explosive gas atmosphere.
IEC 60269 : Low Voltage fuses.
IEC 60364 : Low Voltage electrical installations.
IEC 60439 : Low Voltage switchgear and control gear assemblies.
IEC 60445 : Basic and safety principles of Man Machine interface, marking and identification-identification of equipment terminals and conductor terminals.
IEC 60529 : Degree of protection provided by enclosures.
IEC 60664 : Insulation coordination of equipment with in low voltage systems.
IEC 60947 : Low voltage switchgear and control gear.

The minimum enclosures protection according to IEC 60529 shall be :

For indoor use (External) : IP 52
For indoor use (Internal) : IP 42
For Outdoor use (External) : IP 54(with canopy)
Internal : IP 42


- b. Regulations laid down by CEA/Electrical Inspectorate.
c. Regulations laid down by CCE/DGMS (as applicable).
d. The petroleum rules (Ministry of Industry Government of India).
e. Any other regulations laid down by central/state/local authorities and Insurance agencies.

3.0 EQUIPMENT SPECIFICATIONS

All materials, fittings and appliances to be supplied by the contractor shall be new, unused and of the best quality and shall conform to the specifications given hereunder. These shall be manufactured in accordance with the latest revision of the specifications of Bureau of Indian Standards/International standards. In the absence of any specifications for a particular item, contractor shall bring material samples along with proven track record to site and get the same approved by Engineer-in-Charge/Owner before installation.

3.1 Lighting and Power panels

- 3.1.1 Lighting and Power panels (general purpose panels for safe area) shall be made of 1.6mm thick sheet steel and shall be dust and vermin proof. All metal surfaces shall be cleaned free of rust, given a coat of red-oxide primer and finished with two coats of epoxy based paint of shade RAL-7032. Panels shall be indoor/outdoor type as specified. Indoor type panels shall have IP42 degree of protection and shall be suitable for surface or flush mounting on wall surface as specified. Lighting and power panels located outdoor shall be IP55 weather protected and shall also preferably have integral canopy for additional weather protection. The canopy shall be made of 2mm thick galvanized sheet steel or FRP where these are separate from the equipment.

TECHNICAL SPECIFICATION FOR LIGHTING SYSTEM	Doc No.	Rev	
	GAIL-STD-EL-DOC-TS-004	0	
Page 3 of 11			

- 3.1.2 Lighting and Power panels shall have TPN incoming feeder and single phase outgoing feeders. Lighting circuit feeders shall be rated for 10 amps and power circuit feeders shall have current rating of 16Amps. in power panels for window Air conditioning units, power circuit feeder shall be rated for 20 amps. Panels shall be equipped with phase and neutral bus bars of required current carrying capacity. The outgoing feeders shall be provided with single pole miniature circuit breakers (MCBs) for safe areas and double pole MCBs for hazardous areas. The incomer shall be with MCB and ELCB unit unless otherwise specified. Miniature circuit breakers shall be mounted in such a way that the operating levers project outside the front bakelite cover plates for ease of operation. A hinged door to cover the operating knobs shall be provided. In addition, a circuit diagram indicating incomer details and outgoing details viz. Circuit number, circuit rating, load connected and details of the load shall be pasted inside the panel. Also a laminated copy of the diagram shall be provided inside the panel in a suitably, designed pocket. Two external earthing studs for connection to the plant earthing grid shall be provided on the panel. Further, the panel shall be provided with an earth bus bar with terminal studs for connection to the third core of each outgoing circuit. Each circuit phase and neutral shall be given ferrule numbers. Complete wiring inside the panel, shall be neatly bunched with PVC tape and button. Sufficient terminals shall be provided in the terminal block so as to ensure that not more than one wire (core) is connected to a terminal. The panel shall have knock out holes or removable gland plate for the entry of incoming and outgoing conduits or cables. The panels shall be complete with requisite number of cable glands as specified.
- 3.1.3 The Main distribution board (MDB) where used, shall be made of 2mm thick sheet steel panel, dust and vermin proof similar in construction to Lighting and Power panels but with TPN MCB incoming and TPN outgoing (MCB with ELCB units and MCB without ELCB unit as applicable) of required numbers as specified.
- 3.1.4 All MCBs shall be of M9 category as per IS 8828 and sensitivity of ELCBs shall be 100 mA unless otherwise specified.
- 3.1.5 Wherever the size of incoming cable to lighting, power panels/MDB is more than 35 sq. mm a suitable cable adapter box shall be provided and attached to the panel. The incoming cable leads shall be connected to terminal block (bolted type terminals) of required size. This terminal block shall be connected to TPN incomer unit through separate PVC insulated copper conductor wires/bus bars. Sufficient space shall be provided (200 to 250mm) between gland plate and the bottom of terminal block for easy termination.

3.2 Lighting fixtures

The types, makes and catalogue numbers of various types of industrial lighting fixtures shall be as given in Fixture schedule job data sheet. HPMV /HPSV lighting fixtures shall be complete with ballast, starters and capacitor, as required. Control gears shall be integral or non-integral as specified in lighting layout drawings. Unless otherwise specified, all fixtures shall be supplied complete with lamps. Ballast for fixture shall be copper wound or electronic type. The fixtures shall be of high power factor type i.e. at least 0.9 or more.


3.3 Switches

Switches, manufactured in accordance with IS: 13947 shall be used for non hazardous areas. Switches in areas where concealed wiring has been adopted, shall be flush mounting piano type unless otherwise specified. For surface conduit wiring, piano type switches in surface mounted box shall be provided. Industrial Type switches (Weather protected) shall be used for outdoor areas.

3.4 Receptacles

Three pin type 5A/15A receptacles manufactured in accordance with IS: 1293 shall be used for non hazardous areas. The receptacles and the controlling ON/OFF switch shall be mounted in the same enclosure box but these shall be in separate units to facilitate replacement by parts. Flush mounting type receptacles shall be used in areas where concealed wiring has been adopted and surface type shall be used in other areas. For exhaust fans and wall mounted air circulators, socket and switch enclosures shall be separate. In buildings such as sub-station, D.G. shed, Workshop, maintenance shop etc. industrial type metal clad socket outlets and plugs shall be provided. These sockets shall be supplied complete with plugs.

3.5 Outlet Boxes

TECHNICAL SPECIFICATION FOR LIGHTING SYSTEM	Doc No.	Rev	
	GAIL-STD-EL-DOC-TS-004	0	
Page 4 of 11			

The outlet boxes used as point outlets shall be prefabricated type 65mm deep junction boxes. Outlet boxes custom fabricated for sockets, switches, fixtures and fan regulators etc. shall be made of M.S. Sheet having minimum thickness of 1.6mm. Outlet boxes shall be galvanized after fabrication. These shall be complete with terminal block suitable for connection of wires up to 4 sq. mm Front cover plate shall be of 3mm thick bakelite / PE sheet. The colour shall suit the shade of the walls or shall be white if the shade of the walls is not finalised. The sheet shall extend at least 2 mm on all sides of outlet box. Cover plate shall be fixed by cadmium plated brass screws and cup washers. Outlet boxes shall be provided with adequate number of knock outs on all the sides for ease of wiring either with conduits or without conduits.

3.6 Conduit and Accessories

Conduits for Electrical installations shall conform to IS: 9537. The type of conduit (steel/GI/PVC) shall be as specified on drawing. Black enameled steel or GI conduit shall be of 1.6mm thick and the minimum wall thickness of PVC conduit shall be 2 mm. Generally PVC conduits shall be used in concealed wiring and for surface wiring GI conduit (in plant buildings) and black enamelled steel conduit (in non plant buildings) shall be used.

3.7 Lighting Poles

Lighting poles shall be fabricated (as per LEPL installation standards) from ERW steel tubular pipes of specified section, with joints, swaged together when hot and bevelled on outside edges. Poles shall be coated with bituminous preservative solution on the ground portion of the outside surface. Remainder of the outside surface shall be given one coat of red oxide primer and finished with two coats of aluminium paint. The pole shall have, a marshalling box/ junction box near the bottom to contain HRC fuses/ MCB, a neutral link, an earth stud and terminal block.

3.8 Lighting Mast


3.8.1 Lighting masts (Lattice tower) where used, shall be fabricated as per LEPL Standard. They shall be complete with 2 nos. MS flats provided at the base plate for connection to the plant earthing grid. A ladder, platform, handrail, a weather protected TPN switch (at 1500mm from ground level) and a weather protected distribution board fabricated out of sheet steel shall be provided at the top of mast. The TPN Switch and the distribution board shall also have a canopy for additional weather protection. The TPN switch shall be suitable for looping one more lighting mast from the same incoming power supply. The distribution board shall have TP&N busbars of 30 Amps. rating and 12 Nos. outgoing circuits each with a 6A single pole MCB. The distribution board shall have cable entries from bottom. Necessary space provision and suitable mounting arrangement shall be made on top of the tower for mounting of ballast (choke) and condensers for all the circuits and the lighting fixtures. The masts shall be given one coat of red oxide primer and two coats of aluminium paint. Distribution board shall be fabricated out of 2mm thick sheet steel and shall be painted with two coats of enamel over a base coat of red oxide.

3.9 Wires

Wires shall be FRLS PVC insulated and shall be of 660/1100 Volts grade as per IS:694. Conductor shall be of stranded copper and size shall be minimum 2.5 Sq. mm for lighting, 4.0 Sq. mm for 15A power socket circuits and 6 sq. mm for split A/C power socket circuits. Red/Yellow/blue wires for phases, black wire for neutral and green wire for earth shall be used (size of earth wire shall be same as for phase and neutral size). Wire size for air conditioning circuit feeders shall be as indicated in the panel schedule.

3.10 Ceiling fan/ Exhaust fan

Ceiling fans shall be of 1200mm sweep unless otherwise specified with double ball bearing and regulator. The suspension down rod shall be sturdy mild steel rod of adequate diameter and of minimum length of 300mm with shakles suspension arrangement as per IS. For exhaust fans, the sweep dia. and air CFM shall be as specified in job specification. Exhaust fans for battery room shall be FLP type.

TECHNICAL SPECIFICATION FOR LIGHTING SYSTEM	Doc No.	Rev	
	GAIL-STD-EL-DOC-TS-004	0	
Page 5 of 11			

3.11 Decorative switches and sockets

Decorative lighting switches and sockets where specified, shall be modular in design. All these items shall fit into the same frame with overall standard dimensions. Frames shall be suitable for surface and flush mounting in brick / concrete wall. The frames shall be suitable for conduit entry from all the sides. Switches and sockets shall match colors of the frame and cover plates to obtain a combination which shall match decor of the interiors of Control Room, Administrative buildings, offices rooms etc.

4.0 LIGHTING SYSTEM

4.1 General

4.1.1 The lighting fixtures in the plant shall be fed from lighting panel. All outdoor lighting shall be group controlled manually or through synchronous timer or photocell. Lighting wiring between panel and lighting fixtures shall be done with FRLS PVC insulated 3-core (phase, neutral and earth) copper conductor armoured cable for hazardous areas. Wiring in the building shall be done by means of 3-core copper conductor PVC insulated FRLS un-armoured cables, or FRLS PVC insulated copper conductor wires in conduit/Metsec channel as specified. All joints of conductors in Switch boards/JBs Fittings shall be made only by means of approved mechanical connectors (nylon/PVC connectors). Bare twisted joints shall not be permitted anywhere in the wiring system.

4.1.2 The lighting layouts furnished by owner will indicate approximate locations of lighting fixtures. The electrical contractor shall determine, with approval of Engineer-in-Charge, the exact locations of each fixture in order to avoid interference with piping or other mechanical equipment and also with a view to obtain as much uniform illumination as practicable, and to avoid objectionable shadows. Conduits shall be laid out by the contractor to suit field conditions and as per directions of the Engineer-in-Charge.-

4.1.3 On walkways, platforms and other outdoor area, lighting fixtures shall be located nearer to landing of stairs or ladders, gauges, flowmeters, panel boards and other equipment to provide proper illumination.

4.1.4 The minimum height of any lighting fixture shall be preferably not less than 2.5 meters above the floor level.


4.1.5 All outdoor cable terminations to outdoor junction boxes, panels, socket outlets etc. shall be through bottom or from side. Top entries for cables shall be avoided to avoid water entry. All cable glands for outdoor terminations shall be double compression type and the gland shall be covered with PVC or rubber boot shroud. All unused cable entries shall be plugged with suitable blanking plugs.

4.1.6 Mounting height of equipment shall be as under:-

Top of Switch Box	:	1200mm from FFL (Finished floor level)
Top of Lighting/power Panel	:	1800 mm from FFL.
5/15 Amp. Receptacle	:	300 mm FFL unless otherwise specified (1200 mm for process areas and industrial sheds)
Lighting fixture	:	As indicated in layout drawing
Exhaust fan	:	In the cutout provided /as indicated in Layout drawings.

4.1.7 Fixtures shall be firmly supported from the structures. Support clamps etc. may be bolted or welded to the existing steel work or metal inserts. In case of concrete structures, where metal inserts are not available, fixtures shall be suspended from concrete surfaces with the help of anchor fasteners. In such cases special care shall be taken to see that anchoring is firm. In places where ceiling fans are provided, lighting fixtures shall be suspended below the level of fan to avoid shadow effect.

4.1.8 Circuit cables in a group shall be cleated to structure by using galvanised strip clamps or cable run in cable trays wherever trays are available. Spacers and cleats shall be of required size to accommodate the cables. All hardware shall be galvanised or zinc passivated. Underground lighting cables (in paved areas) shall be taken

TECHNICAL SPECIFICATION FOR LIGHTING SYSTEM	Doc No.	Rev	
	GAIL-STD-EL-DOC-TS-004	0	
Page 6 of 11			

in suitable G.I. sleeves buried at a minimum depth of 300mm from FFL. GI pipe sleeves shall be extended to 300mm above FFL. Exact termination/layout of G.I. pipes (for protection of cables) shall be decided at site as per site convenience in consultation with Engineer-in-charge.

- 4.1.9 Wiring for all outlet sockets shall be done with 3 cores of equal sizes for phase, neutral and earth. The terminals of switch sockets shall be suitable to receive the size of wire specified.
- 4.1.10 All lighting fixtures shall be provided with terminal block with required terminals suitable for connection of wire up to 2.5 sq. mm copper conductor.
- 4.1.11 The cable shall be straightened after unwinding it from the drum. All cables be clamped/laid in straight run without any sag and kink.
- 4.1.12 For location where fan points are shown, fan hooks with junction box shall be provided during concreting.

Where fan hooks and J.Bs. are provided separately JB shall be located within a distance of 300mm from hook for mounting of ceiling rose.

- 4.1.13 Industrial type plug sockets with 20A MCB or rating as per job specification shall be provided at a height of 500mm from FFL for window AC units.


Socket outlets and plugs for installation in Sub-station building, DG shed, workshop, maintenance shop etc. shall be of industrial metal clad type.
- 4.1.14 Wiring for exhaust fans shall be terminated in receptacles as specified in layout drawing and the connection from receptacle to the exhaust fan shall be by means of a flexible cord equivalent in size to the main run of wires. Switch for exhaust fan shall be located in a separate switch board along with other switches.

4.2 Conduit System

- 4.2.1 Surface or concealed conduit system of wiring shall be adopted, as specified in the drawings. Required number of pull boxes shall be used at intervals to facilitate easy drawing of wires. Separate conduit shall be run for lighting and power circuits. Further, conduits for Normal lighting/ Emergency lighting /DC critical lighting shall be separate. Conduit layout shall be decided at site as per site conditions. Drop conduits for switch boards shall be decided by contractor as per wall locations shown in Architectural drawings. All exposed run of conduits on surface, shall be vertical or horizontal.
- 4.2.2 Only threaded type conduit fittings shall be used for metallic conduit system. Pin grip type or clamp type fittings are not acceptable. Conduit ends shall be free from sharp edges or burrs. The ends of all conduits shall be reamed and neatly bushed.

Conduit shall be of minimum 25mm dia. Maximum number of wires permissible in a conduit shall be seven/nine for wire size of 2.5 sqmm/1.5 sqmm. respectively.

- 4.2.3 The exposed outer surface of the conduit pipes, including all accessories forming part of the conduit system, shall be adequately protected against rusting. In all cases, bare threaded portion of conduit pipe shall not be exposed unless such bare threaded portion is treated with anti corrosive preservative or covered with approved plastic compound.
- 4.2.4 Conduit connection to outlet boxes shall be by means of screwed hubs or check nuts on either side. Where concealed wiring is done, junction boxes (65mm deep) shall be used so as to rest on shuttering properly. Conduits shall be laid above reinforcement. All conduit connections shall be properly screwed and Junction box covers shall be properly fitted so as to avoid entry of concrete slurry.
- 4.2.5 Conduit pipes shall be fixed by 1.6mm thick G.I. saddles on 3mm thick G.I. saddle bars of required width in an approved manner at intervals of not more than 50cms for straight run. At places near junction boxes, bends, or similar fittings, saddle and bars shall be provided on either side.
- 4.2.6 Where concealed wiring is to be adopted, conduits shall be laid in time before concreting of the slab. Pull wire (GI or steel) shall be provided inside conduit for the ease of wire pulling. The contractor shall coordinate his

TECHNICAL SPECIFICATION FOR LIGHTING SYSTEM	Doc No.	Rev	
	GAIL-STD-EL-DOC-TS-004	0	
Page 7 of 11			

work with other agencies involved in the civil works in such a way, that the work of the other agencies is not hampered or delayed. Vertical conduit runs shall be made in wall before plastering is done so as to avoid chasing. Where chases are made for conduit run contractor shall fill these chases or any other openings made by them after completing the work and patch the surface. During installation, care shall be taken to see that proper covers are provided to prevent rusting of conduits. Locations of all point outlets, junction boxes shall be marked with brick powder or sand so that these are easily identified after shuttering removal. As built conduit layout drawing shall be submitted by contractor after completion of the work.

4.2.7 All bends and other accessories shall be of the same material as that of conduit and shall have the same protective coatings. All junction boxes shall be MS chromium plated.

4.2.8 After erection, the entire surface conduit system shall be tested, for mechanical and electrical continuity and shall be permanently connected to earth by means of approved type of earthing clamps.

4.3 Hazardous Area

4.3.1 Wiring in hazardous area shall be done by using minimum 2.5mm² copper conductor FRLS, PVC armoured cable. Circuit wiring feeding hazardous areas shall be controlled by two pole switches/MCBs (for phase as well as neutral isolation).

4.3.2 Correct type of lighting equipment (fixtures and JBs) with regard to hazardous protection as specified in the drawing, shall be installed for the areas classified as Zone I, Zone 2 etc.

4.3.3 The terminations in the junction boxes and the lighting fittings shall be done avoiding possibility of loose connections due to vibrations. After the terminations are made the cover of the junction boxes and the lighting fittings shall be closed properly with all bolts and hardware in correct position, retaining its explosion and weather protections. In fixtures having double cable entries, both the entries shall be used for looping in and looping out connection, thus minimising the use of a separate junction box. Wherever separate control gear boxes (C.G. box) are provided looping in and looping out connections shall be through CG box, thus avoiding the use of an additional junction box. All unused cable entries shall be sealed with suitable plugs.


4.3.4 Circuit cables shall be firmly cleated in a group along columns/ beam/ladders/side channels/platform using 1.6mm thick GI saddles on 25x3 mm GI saddle bar at intervals of 400mm to 500mm for straight run and on either side close to bending and at both termination ends as per the directions of Engineer-in-charge. Where required 3 or more of cables may be taken in slotted channel tray after getting the approval of Engineer-in-charge. Cables shall not be routed along hand rails.

Where fire proofing column/structures are encountered, all cabling shall be taken in GI pipes of required size and both ends shall be sealed, well before fire proofing is done. Similarly equipment such as lighting fixture, control gear box, lighting power panels, field call stations, junction boxes etc. shall be installed on a suitable steel mounting frame/distance bracket, thereby avoiding direct contact with the concrete used for fire proofing.

4.3.5 Cable glands for terminating cable on flameproof equipment shall be of double compression FLP type. Any material/equipment specified to be supplied by contractor for installation in hazardous areas, shall be tested by CMRI and duly approved by C.C.E. Nagpur or DGMS Dhanbad or any other applicable statutory authority. All indigenous FLP equipment shall also have valid BIS license as required by statutory authorities.

OUTDOOR FLAME PROOF SOLAR LIGHT TECHNICAL SPECIFICATION:

This Flame proof CFL light is powered by a 14.8 volt Li-Poly battery that is recharged by a 12 watt solar panel. This solar panel charged, flame proof light can be configured to turn on and off only when there is motion. This sensor switches the light off when there is no movement detected and light output mode when movement is detected. Light output comes from a 11 watt CFL lamp that produces 900 lumens. The light can be configured to automatically switch on when ambient light levels drop below 30 lux, which is typically at sunset. The light runs for 15 hours when the battery is fully charged. Charging time for the Li-Poly battery is 5 hours when exposed to direct sunlight. Indirect sunlight will extend the charge time.

TECHNICAL SPECIFICATION FOR LIGHTING SYSTEM	Doc No.	Rev	
	GAIL-STD-EL-DOC-TS-004	0	
Page 8 of 11			


As with all solar powered equipment, charging time is affected by the amount of available ambient light. When ambient light levels drop below a certain level, such as on cloudy days, the unit will not recharge as quickly. Mounting options include ceiling, wall and pendant mounting for the lamp fixture and flat surface or round/square pole mounting such as on utility poles or structure supports for the solar panel.

Technical Specifications:

- Operation:** Automatic Class 1 Div 1 -Groups C, D
- Solar Panel Dimensions:** W-11 3/8" L-15 3/4" D-1" Class 1 Div 2 -Groups A, B, C, D
- Lamp Dimensions:** 7.44"-Diameter, 11.1" Height Class 2, Division 2, Groups F, G
- Panel Watts:** 12 Watt
- Lamp Watts:** 11 T6 Temperature Rating
- Charging Time:** 5 Hours -55 C to 85 C Operating Temp
- Lumens:** 900 Suitable for Marine Environments
- Runtime:** 15 Hours
- Lamp Mounting:** Wall, ceiling or pendant
- Panel Mounting:** Flat Surface / Round/Square Pole Contact us for special requirements
- Battery:** Li-Poly 14.8 Volt
- Charging Time:** 5 Hours
- Wiring:** 30 feet
- Lamp Wiring Hub:** 3/4" Threaded
- Lamp Temp Rating:** T6 - All Voltage and Temperature Ranges

4.4 Building Lighting

- 4.4.1 The type of wiring system shall comprise surface/concealed conduit system or cable wiring as specified on layout drawings.
- 4.4.2 Mounting details of fixtures shall be indicated on the drawings. If specified on the drawings, a group of fluorescent lighting fixtures which are to be mounted end to end, shall be fixed to mild steel cold rolled sections of 50mm x 50mm and of 1.2mm thick (Metsec channel). The entire assembly shall be fixed to the ceiling with necessary number of supports which may be by means of steel conduit or chromium plated chain link as required. The 'Metsec' Channel shall run continuous in suitable sections from one end to other end of wall. The complete channel shall be spray painted, with approved colour as per the directions of Engineer-in-Charge. All wires inside channel shall be neatly bunched by nylon tape & buttons.
- 4.4.3 Wiring in areas above false ceiling shall be done in Surface Conduit (25mm dia GI conduit) suitably clamped to the true ceiling. Vertical drops from true ceiling for panels, switches, receptacles etc. shall be taken in 25mm dia PVC conduit concealed in walls up to switchboards/panels. Lighting fixtures shall be supported from true ceiling. Exact location of fixtures shall be finalized in co-ordination with air-conditioning duct diffuser layout, panels layout and false ceiling grid layout. To facilitate easy maintenance 'Looping back system' of wiring shall be followed throughout. Accordingly supply tapplings and other interconnections including for earthing are made only at fixture connector blocks or at switch boards. Required number of junction boxes shall be used at intervals for wire pulling and inspection.
- 4.4.4 All wires in conduit shall be colour coded as specified. Each circuit shall have independent phase neutral and earth wire. However when group of circuits are run in a single conduit the earth wire can be common.
- 4.4.5 Building conduit lighting system of wiring where measurement is done on point wiring basis generally consists of two parts. The first part is the circuit wiring which includes the work necessary from lighting panel up to switch box and from switch box to another switch box .. The second part is the point wiring which shall include the work necessary from tapping point in the switch box upto various fixtures or fan outlets/ceiling roses.
- 4.4.6 In no case, two different sources or two different phases of supply shall be combined in one switchboard.
- 4.4.7 Switches for light fixtures/exhaust fans in battery room shall be provided outside the Battery room.

TECHNICAL SPECIFICATION FOR LIGHTING SYSTEM	Doc No.	Rev	
	GAIL-STD-EL-DOC-TS-004	0	
Page 9 of 11			

4.5 Street Lighting

- 4.5.1 Street lighting poles to be located on road side shall be installed at a minimum distance of 300mm from the edge of the walkway of the road. Size of wires from marshalling box / Junction box upto fixture shall be min. 2.5mm², copper conductor PVC insulated FRLS.
- 4.5.2 Each pole shall be earthed at two points by connecting to the plant earth grid as shown on Installation standards.
- 4.5.3 Street lighting fixture shall be mounted on steel tubular poles as per standard drawings. The foundation for the street lighting poles will be made by electrical contractor. Street lighting poles shall be supplied with a base plate.
- 4.5.4 The poles shall be numbered as per the drawings/ directions of Engineer in-charge.

OUTDOOR SOLAR LIGHT TECHNICAL SPECIFICATION:

PV Module	74 Wp under STC
Battery	Lead acid Tubular Flooded or Tubular GEL / VRLA , 12V- 75 AH @ C/10
Light Source	Compact Fluorescent Lamp of 11 Watt
Light Out put	900±5 % lumens.
Mounting of light	Minimum 4 metre pole mounted
Electronics Efficiency	Minimum 85% total
Inverter	Quasi sine wave or sine wave type
Duty Cycle	Dusk to dawn
Autonomy	3 days or Minimum 42 operating hours per permissible discharge

The Outdoor Solar Lighting System shall be make of TATA BP Solar make MV8 model system.


TECHNICAL DETAILS

PV MODULE

- (i) Indigenously manufactured PV module should be used.
- (ii) The PV module should have crystalline silicon solar cells and must have a certificate of testing conforming to IEC 61215 Edition II / BIS 14286 from an NA BL or IECQ accredited Laboratory.

4.6 Mast Lighting

- 4.6.1 The lattice structure masts shall be installed on concrete foundations with the base plate bolted on to the anchor bolts. The lattice structure shall be painted with a coat of primer and two coats of aluminium paint, the second coat to be given just before handing over to the owner. The masts shall be numbered as per drawings. The masts shall be connected to the plant earth grid at two points
- 4.6.2 The main feeder upto the distribution board of lighting mast shall be through PVC insulated FRLS armoured cable of size as specified in the respective drawing. Wiring from Distribution Board to each flood-light fixture shall be by means of a 3-core 2.5sqmm, copper conductor PVC insulated FRLS armoured cable. All the cables shall be neatly clamped to the structure at intervals not exceeding 25 cms.
- 4.6.3 Alternatively the flood light high mast shall comply to LEPL specification.
- 4.6.4 Exact orientation of flood lighting fixtures shall be decided at site to achieve optimum utility of these fixtures.

TECHNICAL SPECIFICATION FOR LIGHTING SYSTEM	Doc No.	Rev	
	GAIL-STD-EL-DOC-TS-004	0	
Page 10 of 11			


5.0 TESTING AND COMMISSIONING

5.1 Lighting installation shall be tested and commissioned by installation contractor as per LEPL specifications. Pre-commissioning checks and tests, shall include but not be limited to the following:

- a) The insulation resistance of each circuit without the lamps (load) being in place shall be measured and it should not be less than 500,000 ohms. (Between phases, phases to neutral, phase/neutral to Earth).
- b) Current and voltage of all the phases shall be measured at the lighting panel bus bars with all the circuits switched on with lamps. If required load shall be balanced on the three phases.
- c) The earth continuity for all socket outlets shall be checked. A fixed relative position of the phase and neutral connections inside the socket shall be established for all sockets.
- d) After inserting all the lamps and switching on all the circuits, minimum and maximum illumination level shall be measured in the area and recorded.
- e) It shall be ensured that switch provided for ON/OFF control of point (light/fan/socket) is only on LIVE side.
- f) Operation of ELCB's shall be checked.
- g) Contractor shall duty fill in all the above test results and submit the test reports to Engineer-in-Charge in triplicate.

5.2 All lighting layout drawings shall be marked by contractor for 'AS BUILT STATUS' and two sets of copies shall be submitted to LEPL.

* * * * *

TECHNICAL SPECIFICATION FOR LIGHTING SYSTEM	Doc No.	Rev	
	GAIL-STD-EL-DOC-TS-004	0	
Page 11 of 11			



GAIL INDIA LIMITED


TECHNICAL SPECIFICATION FOR EARTHING (Doc. No. GAIL-STD-EL-DOC-TS-005)

Rev	Date	Purpose	Prepared By	Checked By	Approved By
0	29.01.2019	Issued As Standard	RKS	SB	SB



CONTENTS

- 1.0 SCOPE
- 2.0 CODES AND STANDARDS
- 3.0 MATERIAL SPECIFICATIONS
- 4.0 EARTHING NET WORK
- 5.0 INSTALLATION OF EARTH ELECTRODE
- 6.0 CONNECTION
- 7.0 TESTING
- 8.0 TEST PROFORMA
- 9.0 EQUIPMENT EARTHING SCHEDULE

TECHNICAL SPECIFICATION FOR EARTHING & LIGHTNING SYSTEM	Doc No.	Rev	
	GAIL-STD-EL-DOC-TS-005	0	
Page 2 of 7			

1.0 SCOPE

This specification defines the requirements for the supply of earthing materials and installation of the earthing systems.

2.0 CODES AND STANDARDS

2.1.1 The work shall be carried out in the best workman like manner / conformity with this specifications, LEPL installation Standards, layout drawings, the latest edition of relevant specifications, codes of practice of Bureau of Indian Standards and OISD Standards listed below:

SP: 30 (BIS)	Special Publication – National Electrical Code
IS: 2309	Protection of buildings and allied structures against lightning.
IS: 3043	Code of practice for earthing
IS: 7689	Guide for control of undesirable static electricity.
OISD 110	Recommended practices on static electricity
OISD 147	Inspection and safe practice during electrical installation.

2.2 In addition to the above it shall be ensured that the installation conforms to the requirements of the following as applicable:

- a. Indian Electricity Act and Rules.
- b. Regulations laid down by CEA/Electrical Inspectorate.
- c. Regulations laid down by CCE/DGMS (as applicable).
- d. The petroleum rules (Ministry of Industry Government of India).
- e. Any other regulations laid by central/state/local authorities and Insurance agencies.

3.0 MATERIAL SPECIFICATIONS

3.1 All materials and hardwares to be supplied by the contractor shall be new, unused and of best quality and shall conform to the specifications given here under and to latest specifications of Bureau of Indian Standards. Contractor shall bring material samples to site and get it approved by Engineer-in-charge before installation.


3.2 The main grid conductor shall be hot dip galvanized G.I. strip or PVC insulated aluminum conductor/copper conductor. Sizes for main conductors shall be marked on the drawings. Thickness of hot dip galvanizing shall not be less than 75 microns. Earth electrodes shall be as per LEPL's standard drawing.

4.0 EARTHING NETWORK

4.1 This consists of main earth conductor (grid conductor) forming a closed ring network with required number of earth electrodes connected to it to provide a common earth for electrical devices and metallic structures. From each earth electrode two distinct connections shall be made to the main earth conductor. The earth plates shall be used for taking multiple earth connections to two or more equipment.

4.2 The earth conductor shall be laid along cable trays/cable trench/pipe racks as indicated on the earthing layout drawing. Where lined cable trenches and shall be firmly cleated to the sidewall of concrete trenches using GI clamps at interval of 400 mm to 500 mm and near to the termination end. The earthing conductor shall run along one of the cable trays along a cable route. The earthing conductor shall be suitably cleated and electrically bonded to all the other cable trays on the same cable route at a regular interval of 25 to 30 meter. The earthing for equipment shall be tapped from the main earth conductor and not from cable tray support structure. Earth conductor when laid underground shall be at a depth of 500 mm below finished grade level.

4.3 Joints and tapping in the main earth loop shall be made in such a way that reliable and good electrical connections are permanently ensured. All joints below grade shall be welded and shall be suitably protected by giving two coats of bitumen and covering with Hessian tape. Earth strip laid above ground shall be welded across straight through joints and joints shall be suitably protected by giving

TECHNICAL SPECIFICATION FOR EARTHING & LIGHTNING SYSTEM	Doc No.	Rev	
	GAIL-STD-EL-DOC-TS-005	0	
Page 3 of 7			

two coats of bitumen to avoid oxidation and insulation film formation of the strip surface. When two earth strips are to be jointed by means of welding, lap welding with an overlapping of strip equivalent to double the width of the strip and all four sides shall be continuously welded. All joints at tapping above ground shall be by means of connector/lugs. A minimum of two bolts of adequate size shall be used for this purpose. Earthing strip joints at earth plate and equipment shall be through GI bolts, nut etc.

- 4.4 Neutral point of DG set and Incoming transformer of Local Electricity Board shall be Solidly earthed by two separate dedicated earth pit.

5.0 INSTALLATION OF EARTH ELECTRODE :

- 5.1 Earth electrodes shall be installed as shown in the earthing layout drawing and in accordance with the standard drawings and IS:3043. Their location shall be marked to enable accurate location by permanent markers.
- 5.2 All earth electrodes shall preferably be driven to a sufficient depth to reach permanently moist soil. Electrodes shall preferably be situated in a soil which has a fine texture and which is packed by watering and ramming as tightly as possible. Wherever practicable, the soil shall be dug up, all lumps broken and stones removed from the immediate vicinity of the electrodes. Earth pit with all accessories shall be provided as per drawings.
- 5.3 All earth electrodes shall be tested for earth resistance by means of standard earth test meter. The tests shall take place in dry months, preferably after a protracted dry spell.
- 5.4 The electrodes shall have a clean surface, not covered by paint, enamel, grease or other materials of poor conductivity.
- 5.5 Earth electrodes shall be located avoiding interference with road, building foundation, column etc.
- 5.6 The disconnect facility shall be provided for individual earth pits to check their earth resistance periodically.
- 5.6 The distinct No. shall be provided on all earth electrode as per approved drawing. Earth resistance, date shall be marked on a plate above grade level.

6.0 CONNECTION

The earth system connections shall generally cover the following:


- Equipment earthing for personnel safety.
- System neutral earthing
- Static and lightning protection

- 6.1 The following shall be earthed.

- System neutral.
- Current and potential transformer secondary neutral
- Metallic non-current carrying parts of all electrical apparatus such as transformers, switchboards, bus ducts, motors, neutral earthing resistors, capacitors, UPS, battery charger panels, welding receptacles, power sockets, lighting/power panels, control stations, lighting fixtures etc.
- Steel structures/columns, rail loading platforms etc.
- Cable trays and racks, lighting mast and poles
- Storage tanks, spheres, vessels, columns and all other process equipment.
- Fence and Gate for electrical equipment (e.g. transformer, yard etc.)
- Cable shields and Armour
- Flexible earth provision for Wagon, Truck
- Shield wire

Conductor size for branch connection to various equipment shall be as per LEPL Installation Standards unless otherwise stated on earthing layout drawings.


- 6.2 All process pipelines shall be bonded and earthed at the entry and exist points of battery limit of hazardous area.

TECHNICAL SPECIFICATION FOR EARTHING & LIGHTNING SYSTEM	Doc No.	Rev	
	GAIL-STD-EL-DOC-TS-005	0	
Page 4 of 7			

- 6.3 Steel pipe racks in the process units and offsite area shall be earthed at every 24 meters.
- 6.4 Equipment/street light pole etc. located remote from main earth network may be earthed by means of individual earth electrode and earth conductor unless otherwise stated in job specifications.
- 6.5 **LIGHTNING PROTECTION** shall be provided for the equipment, structures and buildings as shown on layout drawing. An independent earthing network shall be provided for lightning protection. Lightning protection system shall generally comprise lightning finials (air terminals), roof conductors, down conductors, test links, and earth electrodes. The number, types, materials and sizes shall be in accordance with the drawings. Air terminals shall be mounted on top of buildings or structure as required. All air terminals shall be inter-connected with roof conductors, pipes, hand rails or any other metallic projection above the roofs shall also be bonded to the roof conductors. Down conductors from air terminals or from roof conductors shall be routed as directly as possible to the test links on earth buses, with minimum bends. All provisions regarding connections of conductors for equipment earthing system shall also apply to lightning protection system. In corrosive atmospheres, plumbing metal for corrosion protection shall cover lightning finials or air terminals.
- 6.6 The main earthing network shall be used for earthing of equipment to protect against static electricity.
- 6.7 All medium and high voltage equipment (above 250V) shall be earthed by two separate from the electrical earthing system.
- 6.8 Plant instrument system clean earthing, UPS system clean/safety earth shall be separate from the electrical earthing system.
- 6.9 All paint, scale and enamel shall be removed from the contact surface before the earthing connections are made.
- 6.10 All earthing connections for equipment earthing shall be preferably from the earth plate mounted above ground wherever provided.
- Equipment foundation bolts shall not be used for earthing connection.
- 6.11 Earth connections shall be made through compression type cable lugs/by welded lugs.
- 6.12 All hardware used for earthing installation shall be hot dip galvanized or zinc passivated. Spring washers shall be used for all earthing connections and all connections adequately locked against loosening.
- 6.13 Lighting fixtures and receptacles shall be earthed through the extra core provided in the lighting circuit/cable for this purpose.
- 6.14 The reinforcements of sub-station building and the sub-station floor shall be connected to main earth grid.

7.0 TESTING AND COMMISSIONING

- 7.1 Earthing systems/connections shall be tested as follows:
- 7.2 Resistance of individual earth electrodes shall be measured after disconnection it from the grid by using standard earth test meggar.
- 7.3 Earthing resistance of the grid shall be measured after connecting all the earth electrodes to the grid. The resistance value of an earth grid to the general mass of earth shall be as follows:
- Earthing resistance of the grid shall be measured after connecting all the electrodes to the grid. The resistance between any point on the metallic earth grid and the general mass of earth shall not exceed 1 ohm.

TECHNICAL SPECIFICATION FOR EARTHING & LIGHTNING SYSTEM	Doc No.	Rev	
	GAIL-STD-EL-DOC-TS-005	0	
Page 5 of 7			

- For lightning protection, the value of 5 ohms as earth resistance shall be desirable, but in no case it shall be more than 10 ohms.

7.4 The resistance to earth shall be measured typically at the following points:

- a) At each electrical system earth or system neutral earth.
- b) At each earth provided for structure lightning protections.
- c) At one point on earthing system used to earth electrical equipment enclosures.
- d) At one point on earthing system used to earth wiring system, enclosures, such as metal conduits and cable sheaths or Armour.
- e) At one point on fence enclosing electrical equipment.


7.5 All earthing layout drawings shall be marked by contractor for 'AS BUILT STATUS' and two sets of copies shall be submitted to LEPL/Owner.

8.0 TEST PROFORMA

The Contractor shall fill up the Test Report after the completion of the tests and shall submit it to the LEPL/Owner duly signed for his approval and acceptance.

INSTALLATION TESTING REPORT - EARTHING INSTALLATION

- 1.0 Earthing System Data
 - 1.1 Type of Electrodes
 - 1.2 Total number of electrodes
 - 1.3 Main earth grid size
 - 1.4 Material
- 2.0 General Checks (Tick if it is in order
Otherwise give details)
 - 2.1 Construction of earth pits and
Installation of ground electrodes as
per layout drawing
 - 2.2 Size of earth conduct for various
Equipment as per layout drawing
 - 2.3 Minimum distance kept between
Two electrodes
 - 2.4 Welding at the joints are properly made:
- 3.0 Tests
 - 3.1 Measured earth resistance of each
electrode in Ohms
 - No.1
 - No.2
 - No.3
 - No.4
 - No.5
 - 3.2 Measurement of earth grid resistance
(with all electrode connected to grid) :
 - a) At each electrical system or
System neutral earth
 - b) At one point on each earthing
System used to earth electrical
Equipment enclosure.


TECHNICAL SPECIFICATION FOR EARTHING & LIGHTNING SYSTEM	Doc No.	Rev	
	GAIL-STD-EL-DOC-TS-005	0	
Page 6 of 7			

9. EQUIPMENT EARTHING SCHEDULE

TYPE OF EQUIPMENT	EARTH CONDUCTOR SIZE (SEE NOTE-1)
MOTOR UPTO 3.7 KW	8 SWG SOLID G.I. WIRE
MOTORS FROM 5.5 KW & WELDING RECEPTACLES	10 MM (3/8") DIA G.I. WIRE ROPE
BUILDING COLUMNS	50x 6 MM G.I. STRIP
STORAGE TANKS (VERTICAL & HORIZONTAL)	50x 6 MM G.I. STRIP
LOADING RACKS	50x 6 MM G.I. STRIP
VESSELS & HEAT EXCHANGERS	50x 6 MM G.I. STRIP
SMALL EQUIPMENT & INSTRUMENTS	8 SWG SOLID G.I. WIRE
LIGHTING, POWER & INSTRUMENT PANELS	10 MM (3/8") DIA G.I. WIRE ROPE
MAIN EARTH BUS/ MV & TRANSFORMER	AS SPECIFIED
TELECOM/ SCADA / INSTRUMENT	SEPARATE Cu STRIP OF 25x5MM OR 25 SQ.MM INSTULATED FLEXIBLE Cu CABLE (GREEN COLOUR)
PUSH BUTTON STATIONS	8 SWG SOLID G.I. WIRE
STREET LIGHT POLES	10 MM (3/8") DIA G.I. WIRE ROPE
LIGHTING TRANSFORMER	16 MM (5/8") DIA G.I. WIRE ROPE
PIPE RACK	50x6 MM G.I. STRIP
BONDING OF PIPE	25 SQ.MM INSTULATED FLEXIBLE CU. CABLE (GREEN COLOUR)
LIGHTNING PROTECTION	20x3 MM G.I. STRIP

NOTE:-

- EARTH CONNECTIONS TO INDIVIDUAL EQUIPMENT FROM NEAREST EARTH PLATE/ GRID MAY ALSO BE DONE ALTERNATIVELY USING ALUMINIUM/ COPPER CONDUCTOR PVC INSULATED CORE OF SIZE NOT LESS THAN HALF THE CROSS-SECTION OF RESPECTTIVE POWER CABLE TO EQUIPMENT (MOTOR, PANEL ETC.). CONNECTIONS SHALL BE MADE USING CRIMP TYPE OF LUGS.
- GREEN COLOR SLEEVING (ABOUT 50MM LENGTH) SHALL BE PROVIDED AT BOTH ENDS TO DENOTE EARTHING.

TECHNICAL SPECIFICATION FOR EARTHING & LIGHTNING SYSTEM	Doc No.	Rev	
	GAIL-STD-EL-DOC-TS-005	0	
Page 7 of 7			



GAIL INDIA LIMITED

TECHNICAL SPECIFICATION FOR INSTALLATION, TESTING, COMMISSIONING OF ELECTRICAL EQUIPMENTS


(Doc. No. GAIL-STD-EL-DOC-TS-006)

Rev	Date	Purpose	Prepared By	Checked By	Approved By
0	29.01.2019	Issued As Standard	RKS	SB	SB



TABLE OF CONTENTS

- 1. GENERAL**
 - 1.1 SCOPE
 - 1.2. CODES, STANDARDS AND STATUTORY REGULATIONS
 - 1.3. RELATED DOCUMENTS
- 2. DESIGN**
 - 2.1. EQUIPMENT & MATERIALS
 - 2.2. INSTALLATION DOCUMENTS
 - 2.3. APPROVAL OF DRAWINGS
- 3. EQUIPMENT & MATERIALS**
 - 3.1. GENERAL
 - 3.2. CABLE & CONDUIT ENTRIES
 - 3.3. EARTHING TERMINALS/EARTH BUS
 - 3.4. EQUIPMENT AND MATERIALS SUPPLIED BY THE CONTRACTOR
 - 3.5. CABLE
 - 3.6. CONDUITS & CONDUIT ACCESSORIES
 - 3.7. STRUCTURAL STEEL
 - 3.8. CARE OF EQUIPMENT AND MATERIALS
- 4. CIVIL WORK**
 - 4.1. GENERAL
- 5. INSTALLATION OF POWER CONTROL CENTRE & DISTRIBUTION BOARD**
 - 5.1. GENERAL
 - 5.2. INSTALLATION
 - 5.3. CLEARANCE
- 6. INSTALLATION OF POWER & LIGHTING DISTRIBUTION BOARD**
 - 6.1. PREMILINARY INSPECTION
 - 6.2. INSTALLATION AND COMMISSIONING

TECHNICAL SPECIFICATION FOR INSTALLATION, TESTING & COMMISSIONING OF ELECTRICAL EQUIPMENTS	Doc No.	Rev	
	GAIL-STD-EL-DOC-TS-006	0	
	Page 2 of 28		

7. MOTORS

7.1. GENERAL

7.2. COMMISSIONING OF MOTORS

8. WIRING WITH CABLES

8.1. GENERAL

8.2. INSTALLATION OF CABLES

8.3. TERMINATION AND CONNECTION OF CABLES

9. CONDUIT WIRING

9.1. GENERAL

9.2. CONDUIT INSTALLATION

9.3. CONDUIT WIRING

9.4. SUPPLY AND POINT WIRING

9.5. MEASUREMENT OF POINT WIRING

10. EARTHING AND LIGHTNING PROTECTION

10.1. GENERAL

10.2. EARTH ELECTRODES

10.3. MAIN EARTH CONDUCTORS

10.4. EARTH SYSTEMS AND EQUIPMENT EARTHING

10.5. LIGHTNING PROTECTION

11. ELECTRICAL INSTALLATION IN HAZARDOUS AREAS

11.1. GENERAL


11.2. EQUIPMENT AND MATERIALS

11.3. WIRING

11.4. EARTHING

11.5. MISCELLANEOUS

11.6. STEEL WORK

TECHNICAL SPECIFICATION FOR INSTALLATION, TESTING & COMMISSIONING OF ELECTRICAL EQUIPMENTS	Doc No.	Rev	
	GAIL-STD-EL-DOC-TS-006	0	
	Page 3 of 28		

12. INSPECTION, TESTS AND COMMISSIONING OF ELECTRICAL EQUIPMENT AND INSTALLATION

12.1. GENERAL

12.2. INSPECTION

12.3. TESTS

13. INSTRUMENTS & TOOLS

13.1. GENERAL

13.2. TOOLS AND PLANT

13.3. INSTRUMENTS

14. LABOUR, SUPERVISION, COORDINATION AND PROGRESS, LICENCE, STATUTORY APPROVAL

14.1 SUPERVISORY LICENCE

14.2. LABOUR

14.3. SUPERVISION

14.4. COORDINATION

14.5. PROGRESS

14.6. STATUTORY APPROVAL

14.7. EXTRA ITEMS

15. RECONCILIATION**16. QUALITY ASSURANCE - QUALITY CONTROL**

16.1. QUALITY ASSURANCE (Q.A.)

16.2. Q.A. INVOLVEMENT

16.3. TEST SHEETS


17. ACCEPTANCE OF INSTALLATION

APPENDIX 1 - LIST OF CODES, STANDARDS & STATUTORY REGULATIONS

APPENDIX 2 – CABLE


1. TESTING AND ELECTRICAL MEASUREMENTS OF CABLE INSTALLATIONS

1.1. INSULATION RESISTANCE TEST ON NEWLY INSTALLED CABLES BEFORE

TECHNICAL SPECIFICATION FOR INSTALLATION, TESTING & COMMISSIONING OF ELECTRICAL EQUIPMENTS	Doc No.	Rev	
	GAIL-STD-EL-DOC-TS-006	0	
	Page 4 of 28		

JOINTING

- 1.2. TEST RESULT OF COMPLETE CABLE –INSTALLATION
- 2. CABLE INSTALLATION PLAN

TECHNICAL SPECIFICATION FOR INSTALLATION, TESTING & COMMISSIONING OF ELECTRICAL EQUIPMENTS	Doc No.	Rev	
	GAIL-STD-EL-DOC-TS-006	0	
	Page 5 of 28		

1.0 GENERAL**1.1. SCOPE**

This specification covers the technical requirements for equipment, materials and installation methods, testing and commissioning of electrical system which will generally include the following:

- 1) Power Distribution Boards/Power Control Centers
- 2) Lighting Installation, including Lighting Distribution Boards, Lighting Fittings & Socket Outlets
- 3) Wiring for Power, Control, Lighting
- 4) Earthing of Electrical Equipment, & Lightning Protection
- 5) Emergency Power AMF D.G. Set
- 6) Batteries & Associated Equipment

Basic and detailed engineering including sizing and selection of electrical/CP system equipment / switch boards / cables / lighting and other materials required within the battery limit of each stations and terminals shall be performed by the detail engineering contractor. These shall include, but not limited to the following:

- a. Power distribution diagram
- b. Load calculation
- c. Transformer sizing calculation
- d. DG sizing calculation
- e. UPS sizing calculation along with associated back-up Ni-Cd battery bank
- f. Calculation for lighting system, earthing and lightning protection system, voltage drop etc
- g. Sizing of all power & control cables
- h. Preparation of cabling, lighting, earthing, lightning protection, equipment layout including other associated documents such as cable schedule, lighting/power panel schedule, cable interconnection diagrams for terminals and Sv station.
- i. Preparation of area classification drawings as per IS:5572, IEC:60079 and Petroleum rules for Terminals and SV station.

1.2. CODES, STANDARDS AND STATUTORY REGULATIONS


All equipment, materials and construction shall be in accordance with the latest issues of ISS, Indian Electricity rules, fire insurance regulations, factory act and regulation.

1.3. RELATED DOCUMENTS

This specification is to be read in conjunction with the other Bid document, which will include General Conditions of contract, Special Conditions of Contract, Specific Requirements and Schedule of Quantities and Rates. The scope of work shall be defined in Schedule of Quantities & Rates. In case of conflict between this Specification and Specific Requirement, the latter shall govern.

GENERAL INFORMATION :

1. INSPECTION ORGANISATION : The following recommendations will apply to all installations:
 - a) Inspection shall be carried out and witnessed by suitably trained persons.
 - b) All inspections shall be reported to the electrical department/Senior Electrical Engineer.
 - c) Inspection shall as far as practicable, be independent of maintenance, construction and

TECHNICAL SPECIFICATION FOR INSTALLATION, TESTING & COMMISSIONING OF ELECTRICAL EQUIPMENTS	Doc No.	Rev	
	GAIL-STD-EL-DOC-TS-006	0	
	Page 6 of 28		

- operation activities.
- d) Wherever possible, an authorized inspector shall be appointed to be responsible for all inspecting activities, including scheduling, documentation and reporting.

2. GENERAL INSPECTION :

- a) Electrical installations and equipment, which have been completed and are ready for Operation shall be subject to certain take over procedures, which shall have been agreed before the pre-commissioning stage.
- b) Inspection will give evidence of sub standard or in adequate items at an early stage, thus avoiding delays in commissioning progress.
- c) Systematic performance of the take over inspection procedures will facilitate the collection of accurate as-built information, essential for the completion of the equipment record system, refer to section 4 for details of requirements.

3. TESTING ACTIVITIES :

- a) Prior to commissioning, the electrical installations and equipment shall be subject to a comprehensive test procedure as detailed in section 5. all test results shall be reported on the inspection forms(data sheets), section 22.

4. SAFETY ASPECTS :

- a) All inspecting and testing activities shall be carried out in accordance with the procedures in section 3 to 5 and the recommendations included in the vendor specifications for each item of electrical equipment.
- b) For activities in hazardous areas the following additional recommendations shall be adhered to :
Electrical equipment shall not be opened until it has been isolated/discharge and the voltage shall not be restored until the enclosure has been completely re-closed. Testing in hazardous areas may be carried out, provided that areas where sparking is likely to occur, are proven to be gas free and the appropriate safety / fire permits.

2.0 DESIGN

2.1. EQUIPMENT & MATERIALS


Equipments supplied by the Contractor shall conform to the Owner's/Owner's Representatives 'Particular Specifications' for such equipment. These specifications may also be detailed in the documents. Materials not specifically described shall be of the best quality, complying with applicable codes, standards or current Owner's representative practice.

2.2. DOCUMENTS

These shall include but not limited to the following:
Calculations:- Earthing, Lightning Protection, Lighting, CP(TCP/PCP), Cable sizing, Load list, schedule, SLD, UPS Sizing, Servo Stabiliser sizing, DG sizing, Heat loss etc.

These shall include but not limited to the following:
Layouts:- Equipment, Indoor/Outdoor earthing, Indoor/Outdoor lighting, Indoor/Outdoor cable layout, hazardous area classification, CP cable layout etc and other if any.

Bill of materials

TECHNICAL SPECIFICATION FOR INSTALLATION, TESTING & COMMISSIONING OF ELECTRICAL EQUIPMENTS	Doc No.	Rev	
	GAIL-STD-EL-DOC-TS-006	0	
	Page 7 of 28		

2.3. APPROVAL OF DRAWINGS

- 2.3.1. All design calculations & drawings prepared by the Contractor shall be submitted to the Owner/ Owner's representative for comments/approval, before they are finalised. The number of copies to be furnished by the Contractor shall be indicated in the "Drawing & documents".
- 2.3.2. The Contractor shall be responsible for obtaining approvals of drawings and installation from statutory Authorities and Electrical Inspector.

3.0 EQUIPMENT & MATERIALS

3.1. GENERAL


- 3.1.1 All equipment and materials supplied by the Contractor shall be suitable in all respects for the type of environment in which these are to be used.
- 3.1.2. All equipment shall be of robust construction. The enclosures of equipment installed indoors shall be dust and damp proof. Equipments installed outdoors shall have weather proof enclosures.
- 3.1.3. For equipment installed outdoors, particular attention should be paid to the following:
 - a) Fixing holes shall not be provided through the enclosure of casing of any component. External mounting lugs with fixing holes shall be provided.
 - b) Removable covers and cable entries at the top of the equipment shall be avoided as far as possible.
 - c) Gaskets shall be secured to the main parts of the enclosure, in such a way, that they need not be detached during normal installation and maintenance. Gasket material shall be non-deteriorating and shall not deform or set with age. Where hinged doors are provided, the door fasteners shall be designed to ensure uniform pressure at all points on the gasket, when the door is closed.
- 3.1.4. Equipment used in hazardous areas shall be certified by a competent authority as suitable for use in such areas. The enclosures and other requirements shall be in accordance with the ISS.
- 3.1.5. All equipment and materials supplied by the Contractor shall be inspected & approved by Owner/Owner's representative regarding its quality, conformity with specifications and standards and suitability for site conditions.
- 3.1.6. The Contractor shall furnish required number of copies of test certificates from manufacturers for the equipment.

3.2. CABLE & CONDUIT ENTRIES

Tapped entries shall be provided on equipments, for conduits and cables as far as possible. If tapped entries cannot be provided on the enclosure, conduit or cable glands terminated at the enclosure shall be effectively bonded to the same by means of an earthing or bonding washer.

3.3. EARTHING TERMINALS/EARTH BUS

All metal work of the enclosures and non-current carrying metallic parts of the equipment shall be effectively bonded to one another and connected to two external earth terminals provided on the

TECHNICAL SPECIFICATION FOR INSTALLATION, TESTING & COMMISSIONING OF ELECTRICAL EQUIPMENTS	Doc No.	Rev	
	GAIL-STD-EL-DOC-TS-006	0	
	Page 8 of 28		

enclosure. In equipments, such as Power Control Centres or Distribution board an earth bus running along the entire length of the board should be provided in place of earth terminals, to which the bonding of internal components shall be carried out, the earth bus in turn shall be connected to the main earthing system by 2 separate and distinct connections.

3.4. EQUIPMENT AND MATERIALS SUPPLIED BY THE CONTRACTOR

All equipment and materials required for the complete electrical installation shall be supplied by the Contractor.

3.5. CABLE

3.5.1. The types of cables used in the installations shall generally be as given below. If any Other special types of cables are required to be used, details of the types will be given in the Bid documents.

3.5.1.1 XLPE insulated with XLPE/rubber inner sheath armoured unarmoured and with overall XLPE sheath with aluminum or copper conductors.

3.5.1.2 Multicore flexible cables, with stranded copper conductors, rubber / XLPE insulated, with or without pliable armour and with an overall XLPE / Rubber Sheath.

3.5.1.3 Single core XLPE insulated cables with copper/aluminium conductors.

3.5.2 Cable Terminations and Cable Joints

3.5.2.1 Heavy duty XLPE cables, upto 1.1. KV grade (armoured & unarmoured) shall be terminated by means of a compression type cable gland. In hazardous areas or for outdoor installation, cable glands with two seals, one on outer sheath and one on the inner sheath, shall be used. In safe and indoor areas, cable glands, with only one seal on outer sheath may be used. In case of glands for armoured cables, armour earthing cone or washers shall be incorporated in the gland.

3.5.2.2 Cable Glands used in Division 2 hazardous areas shall be flameproof type.


3.5. CONDUITS & CONDUIT ACCESSORIES

Heavy gauge, screwed, rigid steel/XLPE conduits shall comply with IS : 9537. Steel conduit may be black enamelled or galvanised as specified in the Bid documents and drawings. XLPE conduit may be black or grey as specified.

All conduit fittings and accessories shall be of cast iron/malleable iron, Provided with screwed entries, and of robust construction. Only large round junction boxes (min. dia. 80 mm) shall be used in the installation. Large round and adaptable rectangular junction boxes, shall have external fixing lugs. Two external and internal earthing terminals complete with hardware shall be provided on the steel junction boxes. Terminal blocks of adequate rating and number shall be provided in the junction boxes for looping.

All conduits and accessories shall be black enamelled or galvanised as specified in the BOQ.

3.6. STRUCTURAL STEEL

TECHNICAL SPECIFICATION FOR INSTALLATION, TESTING & COMMISSIONING OF ELECTRICAL EQUIPMENTS	Doc No.	Rev	
	GAIL-STD-EL-DOC-TS-006	0	
	Page 9 of 28		

All structural steel such as channels, angles, flats, plates, etc. used in the installation shall be new and of best quality, conforming to relevant Indian Standards.

3.8. CARE OF EQUIPMENT AND MATERIALS

3.8.1 Storage and Care prior to Erection

The contractor shall be entirely responsible for the safe storage and care of equipment and materials during execution of the contract.

3.8.2. Care of Equipment After Erection

The Contractor shall be responsible for the care and maintenance of all electrical equipment, after installations is completed and until the Certificate of Acceptance of Electrical installation is signed by the Owner.

The Contractor shall ensure that the proper enclosure of equipment is maintained at all times and that access doors or covers are opened only when necessary to work upon the equipment. All unused cable or conduit entries shall be effectively sealed.

The Contractor shall bring to the attention of the Owner / Owner's representative, in writing, any damage which may occur to electrical equipment after installation and shall also notify the Owner's representative of any abuse of electrical equipment which might cause damage.

4.0 CIVIL WORK

4.1. GENERAL

All major Civil Work such as foundation for electrical equipment, sub-stations or switch room buildings shall generally be carried by contractor's civil team. However, -minor civil works such as grouting of equipment foundation bolts, breaking and remaking of floor walls, etc. is included in the scope of Contractor's electrical team.

Excavation & backfilling of trenches for directly buried cables, earth electrodes, installation of street lighting poles (including concrete foundation for poles) is included in Contractor's scope of work. Provisions of hume pipes for road crossings may also be included in the scope of Contractor's work.

5.0 INSTALLATION OF POWER CONTROL CENTRE & DISTRIBUTION BOARD

5.1. GENERAL

The Contractor shall carry out a preliminary inspection of the equipment to ensure that the switchgear to be installed is in a satisfactory condition.


5.2. INSTALLATION

The Contractor shall place the switchgear correctly on the bases or foundation prepared for the same. If the switchgear consists of a switchboard with number of panels bolted together, he will place all sections of the switchboard correctly, align them and bolt the

sections together to form one continuous switchboard. The switchgear shall then be secured to the foundation by means of nuts and bolts or foundation bolts grouted in the base. The Contractor shall also make inter-section bus/wiring connections.

The Contractor shall clean all parts of the switchgear, plug and socket contacts, auxiliary switches, etc. Conducting petroleum jelly shall be applied to all electrical contact surfaces.

The Contractor shall lubricate all moving parts of the Circuit Breaker mechanism with recommended lubricants, and ensure satisfactory mechanical operation. Alignment of drawout type circuit breakers or switches shall be checked, for horizontal and/or vertical movements and its correctness shall be ensured. Operation of all mechanical inter locks shall also be checked.

TECHNICAL SPECIFICATION FOR INSTALLATION, TESTING & COMMISSIONING OF ELECTRICAL EQUIPMENTS	Doc No.	Rev	
	GAIL-STD-EL-DOC-TS-006	0	
	Page 10 of 28		

The Contractor shall generally check all internal wiring of the switchgear for its accuracy as per Vendor's wiring diagram. Satisfactory operation of all controls and protection circuits, relays, meters & electrical interlocks shall also be checked. Relay settings and adjustments, if any, shall also be carried out by the Contractor.

The insulation resistance of switchgear and shall be tested with a 500 megger.

The Contractor shall carry out the high voltage tests on the switchgear.

The Contractor shall also carry out Primary and Secondary injection test and check the calibration of relays and meters.

5.3 Equipment Clearance

Sl. No.	LOCATION	CLEARANCE
a)	Front clearance between two L.T Panels	2000mm, (minimum 1500mm).
b)	Rear clearance between H.T Panel, L.T Panel and wall	Less than 200mm or more than 750mm(if double front it should be 1500mm).
c)	Front clearance between H.T and L.T Panel.	2500 mm or as per vendor recommendation.
d)	Side clearance between H.T and L.T Panel or Two HT/LT Panels	Less than 200mm or more than 750mm
e)	Front clearance between two H.T Panels.	3000 mm or as per vendor recommendation.
f)	Battery rack to wall clearance for <ul style="list-style-type: none"> - Single row, single/double tier - Double row, single tier - Double row, double tier 	100mm 100mm 750mm
g)	Battery rack to rack clearance	Less than 200mm or more than 750mm.
h)	Front clearance for wall mounted equipment	750mm
i)	Rear clearance for panels from rear(MV)	1000 mm


6.0 INSTALLATION OF POWER & LIGHTING DISTRIBUTION BOARD

6.1. PRELIMINARY INSPECTION

The Contractor shall carry out a preliminary inspection of the equipment before installation to ensure that the equipment is in a satisfactory condition.

6.2. INSTALLATION AND COMMISSIONING

The installation of factory built distribution boards shall be carried out generally in the same manner as for Power Control Centre and Distribution board.

TECHNICAL SPECIFICATION FOR INSTALLATION, TESTING & COMMISSIONING OF ELECTRICAL EQUIPMENTS	Doc No.	Rev	
	GAIL-STD-EL-DOC-TS-006	0	
	Page 11 of 28		

In case of wall/structure mounted distribution boards, the Contractor shall fabricate and install the structural steel framework suitable for mounting the various distribution boards. The Contractor may have to prepare drawing showing the proposed general arrangement, of the structural frame which shall be to the approval of the Owner's representative. The fabrication and installation of the framework shall be recommended only after the approval of drawing. Various items for the distribution board shall be mounted in accordance with the approved drawings.

After completion of the installation of distribution boards, internal/interconnecting wiring shall be checked for correctness. Insulation resistance of wiring and equipment shall be tested with a 500 Volts megger. Operations of all equipment shall also be checked for correct functioning.

7.0 MOTORS

7.1. GENERAL

Motor shall generally be installed by others, along with the driven equipment. The Contractor may, however, be asked to install motors in specific instances.

7.2. COMMISSIONING OF MOTORS

The Contractor, shall however, check all the motors installed, carry out the tests required and commission the motors. The work will include the following:

- a) Check rotor for free movement.
- b) Check end play in bearings.
- c) Check for mechanical defects, if any, by visual inspection.
- d) Inspect bearings to ensure they are greased.
- e) Inspect bearings to ensure they are greased.
- f) Check conduit entries on terminal boxes, block unused entries.
- g) Carry out insulation test with an appropriate megger.

8.0 WIRING WITH CABLES

8.1. GENERAL


This specification covers installation, termination and connection of various types of single-core or multicore cables.

8.2. INSTALLATION OF CABLES

Cable routes and mode of installation shall generally be as shown in the Cable Tray layout drawings. When these are not indicated on the drawings, the Contractor shall determine the same and get them approved from the Owner's representative before commencing the work.

For multiple runs of cables, separation between individual cables shall be provided, when so indicated, to meet the following conditions:

- a) Spacing between power cables to suit the rating factors applied in the cable installation design.
- b) Separation between cables for high voltage service and medium or low voltage service.
- c) Separation between certain types of cables for instrument service and other cables.
- d) Separation between duplicate feeders run along the same route, to prevent damage to one feeder when the other feeder becomes faulty.

TECHNICAL SPECIFICATION FOR INSTALLATION, TESTING & COMMISSIONING OF ELECTRICAL EQUIPMENTS	Doc No.	Rev	
	GAIL-STD-EL-DOC-TS-006	0	
	Page 12 of 28		

Segregation and separation distance for instrument, communication, F&G, control, medium voltage and high voltage cable shall be minimum 300mm.

8.2.1. Identification tags indicating cable designation, shall be affixed to each cable at ends and at an interval not exceeding 15 meters or at the location where cables change direction or elevation. Cable tags shall be made of stainless steel Aluminium suitable for site and installation conditions. Cable designation shall be embossed in the tags.

8.2.2. Mode of Installation

Modes of installation of cables shall generally be as given below:

- a) Directly buried in the ground.
- b) Installed in built-up trenches in ground, floors, etc.
- c) On cable trays run overhead along pipe/cable racks, or supported on structures, masonry etc.
- d) Cables run along structural steelwork or masonry, supported by suitable saddles, cleats, hangers, etc.

8.2.3. Directly Buried Cables

Trenches shall be excavated along the routes indicated in the drawings and/or approved by the Owner / Owner's representative. They shall be straight and excavated uniformly to a depth shown on the drawings or approved by the Owner / Owner's representative.

After excavation, the floor of the trenches shall be firmed and a bedding of sifted soil or clean sand with a well distributed grain size shall be prepared. The thickness of the compacted bedding shall not be less than 75 mm.

Proper equipment, such as stands for supporting cable drums and rollers for drawing cables shall be used for laying cables in trenches. Cables shall be laid without kinks and utmost care shall be taken in handling them.

After laying the cables, they shall be covered with sifted soil or clean sand well compacted, upto 150 mm above the top of cables. The cables shall be covered by bricks for cable protection at top and both side.


After placing of bricks tiles, the trenches shall be backfilled completely with riddled soil. Large stones shall not be backfilled. The backfill shall be well rammed and compacted.

At road crossings or at specified locations, cables shall be laid in hume pipes or any other type of pipes specified. After drawing the cables, the ends of pipes shall be sealed adequately with wooden plugs or any other approved means, to prevent ingress of soil or dirt into the pipes and ducts.

When directly buried cables enter the buildings, the openings made in walls shall also be adequately sealed to prevent ingress of soil or sub-soil water into the building. Bituminous or suitable type of XLPE compound shall be used for this purpose.

Approved type of cable markers shall be fixed along the cable routes at a distance not exceeding 15 metres along straight routes, and also where cable loops or cable joints are located. The position of cable markers and cable identification tags shall coincide.

When cables are laid in multiple tiers, space between individual tier shall be filled and compacted with sifted soil or sand. Spacing between tiers shall be as specified in the drawings or as approved by the Owner's representative. Protective cable bricks shall be laid above the topmost tier only.

TECHNICAL SPECIFICATION FOR INSTALLATION, TESTING & COMMISSIONING OF ELECTRICAL EQUIPMENTS	Doc No.	Rev	
	GAIL-STD-EL-DOC-TS-006	0	
	Page 13 of 28		

8.2.4 Cables in Built-up Trenches

Built-up trenches for cables may be provided in outdoor plant areas, buildings, switchrooms, etc. Cables run in trenches shall unless otherwise specified, be installed in sand, in layers.

Each layer of cables shall be laid on a compacted and consolidated bed of clean sand having well distributed grain sizes (silver sand). Each layer of cables shall be covered by a well compacted clean sand upto 75 mm above the top of cables. Next layer of cables will be laid on this and bed. On completion of laying of cables, the whole trench shall be completely sand filled and well compacted. The trenches shall then be covered by anyone of the following methods in accordance with Bid documents.

- a) Fitted with RCC covers (preferably coloured red) and sealed.
- b) Screeded over with red coloured lean concrete to finished payment level.
- c) Fitted with removable steel chequered plate, covers, generally in sub-stations, switch-rooms, control rooms and similar indoor locations.
- d) Fitted with specially designed covers at road crossings or similar locations subjected to heavy traffic.

Cables emerging from trenches for final runs to items of equipment shall be protected by steel pipes upto a height of 200 mm above the finished floor/pavement level. Pipes shall be fixed onto the trench wall and where they pass through the trench cover, shall be sealed with bitumastic compound.

All openings in trenches for ducts, cable entry into buildings, etc. shall be sealed adequately with bitumastic compound or lean concrete.

Where specifically called for in Bid documents, the trenches in non-hazardous indoor areas, such as control rooms, switchrooms, etc., need not be sand filled. Cables may be supported in trenches by means of hangers, cleats, cable trays, etc.

8.2.5 Cables on Walls, Structure or Cable Trays

Cables shall be run on walls, structure or laid on cable trays, as required. Only approved type of cable supports or fixings such as cleats, saddles, hangers or straps shall be used.

8.2.5.1. **Instrument layout drawings**


Cables shall be secured by means of saddle bars and saddles. Minimum clear facing between walls or steelwork and cables shall be 6 mm (1/4"). The type of saddles used shall be as shown in the drawings or subject to the approval of the Owner 1 Owner's representative.

8.2.5.2. **Cables Supported on Cable Trays**

Cables shall be secured to the cable trays by means of single fixing type of saddles or adjustable cable saddles, made of approved material, when run on horizontal or vertical cable trays.

8.2.5.3. **Spacing of Cable Supports**

Maximum horizontal and vertical spacing of cable supports shall not exceed 750 mm (30") and 500 mm (20") respectively. When cables are run on cable trays, they shall be securely supported on each rung of the cable tray.

TECHNICAL SPECIFICATION FOR INSTALLATION, TESTING & COMMISSIONING OF ELECTRICAL EQUIPMENTS	Doc No.	Rev	
	GAIL-STD-EL-DOC-TS-006	0	
Page 14 of 28			

8.2.6. Cable Trays

Cable trays shall be one of the following types or as specified in the Bid document:

- a) Site fabricated ladder type cable trays from M.S. Channels, angles, flats as per cable tray details depending on the weight of cables required to be supported on cable trays and maximum cable tray supporting distance. The construction of these cable trays shall be all welded type.
- b) Shop fabricated, heavy pattern, perforated, steel cable tray galvanised or painted as specified in the Bid documents. The cable trays shall be in standard length sections and such fabricated bends or tees shall be used. Individual sections shall be securely bolted together.
- c) Shop fabricated XLPE/FRP cable trays.

Cable trays supports and tray design shall be based on the loading of cable trays. Generally, the design, shall be such that cable trays supports spacing will be 2 metres or more.

8.3. TERMINATION AND CONNECTION OF CABLES

The earthing drawings shall show the requirements of earth cabling up to the earthing systems.

8.3.1 Heavy Duty L T XLPE/XLPE Cables

Heavy duty L T XLPE/XLPE Cables, armoured or unarmoured shall be terminated with double compression type cable glands .

When armoured cables are used, the armour shall be prepared in a manner suitable for the type of cable glands. Armour shall be securely clamped and bonded to the body of the gland. Armour shall be properly cleaned and petroleum conducting jelly applied to the armour as well as clamping surfaces. When specifically called for and in hazardous areas, cable glands shall be further sealed with cold setting XLPE compound.

When cable glands are fixed onto a sheet metal enclosure, with a slip hole, a bonding/earthing washer and a heavy check-out shall be used to ensure effective bonding of the cable gland with the enclosure.

8.3.2 Prevention of Strain at Terminations


Special attention shall be given to ensure that the cable is adequately supported so that there is no strain on the termination or connection of conductors.

Particularly when cables are terminated at equipments which are subject to vibrations, strain relief clamps shall be provided where the support for the cable is derived from the equipment so as to prevent relative displacement of the support with respect to the termination.

8.3.3 Connection of Cable Cores/Conductors.

8.3.3.1. All cable cores or conductors shall be connected to the equipment terminals by means of approved type of connectors. Conductors of small sizes may be directly connected to equipment terminals, without using special connectors. The sizes of directly connected conductors will depend on the type of terminals provided. Connections of larger cables or cables connected to motors shall be made, generally with crimping type cable lugs, unless best quality, approved type, mechanical connectors are used.

8.3.3.2. Conductors shall be thoroughly cleaned and smeared with conducting petroleum jelly

TECHNICAL SPECIFICATION FOR INSTALLATION, TESTING & COMMISSIONING OF ELECTRICAL EQUIPMENTS	Doc No.	Rev	
	GAIL-STD-EL-DOC-TS-006	0	
	Page 15 of 28		

before they are connected directly or with mechanical connectors, particularly when bi-metallic connections, such as aluminium and copper or brass are made. Materials used for mechanical connectors shall also be of suitable type when bi-metallic connections are involved.

Mechanical connectors or equipment terminals shall be of pressure clamp type (not pinching type), when aluminium conductors are to be connected.

- 8.3.3.3. Core identification ferrules or coloured XLPE adhesive tapes shall be provided for all multi-core cables at the point of connection. Generally, red, yellow and blue coloured tapes may be used for identification of cores in power circuits, ferrules or numbered tapes shall be used for identification of control cable cores.

9.0 CONDUIT WIRING

9.1. GENERAL

This section covers installation of exposed and concealed conduit wiring. Concealed conduit wiring may be installed above false ceiling or behind panels, etc. or may be embedded in ceiling, walls, columns, or floor.

9.2. CONDUIT INSTALLATION

9.2.1. Surface Conduit Installation

When conduits for exposed or concealed wiring are installed on surface, the complete routing shall be marked on the surfaces. The installation shall be carried out only after approval of the routing by the Owner's representative. Conduit installation shall be carried out accurately and neatly, with conduit runs truly vertical or horizontal. Conduits shall be threaded to close tolerances and burr removed from the ends after threading. All screwed connections shall ensure that at least five threads are engaged and electrical continuity maintained.


Conduits shall be supported with saddles at a spacing of 1200 mm maximum for conduits upto 1" size and 1800 mm maximum for larger sizes. Saddles shall also be provided at both ends of fittings, equipment, devices, junction boxes, bends or offsets, within 200 mm maximum. Minimum clearance between conduits and surface shall be 6 mm. Saddles shall be of cast/malleable iron, cast aluminium or any other approved material, and galvanised painted or cadmium plated.

9.2.2. Embedded Conduit Installation

Conduit installation may be embedded in RCC structures or brick work.

The installation in RCC structures shall be carried out after the form work and reinforcement work is complete, but before concreting. Concreting, will be done only after completion of the conduit installation and its approval by the Owner's representative. Conduits laid in concrete shall have minimum 50 mm cover upto the finished surface and shall preferably be laid behind the reinforcement. Conduits shall be securely fixed to prevent their movement during concreting.

Installation in brickwork will require chases to be made in brickwork, sufficiently deep to provide adequate cover for the conduits. Conduits shall be securely fixed to the brickwork and chases made good.

TECHNICAL SPECIFICATION FOR INSTALLATION, TESTING & COMMISSIONING OF ELECTRICAL EQUIPMENTS	Doc No.	Rev	
	GAIL-STD-EL-DOC-TS-006	0	
	Page 16 of 28		

In this type of conduit installation, a galvanised fish wire shall be drawn in conduits.

All embedded accessories such as junction boxes, switchboxes, etc. shall be mounted such that they will be flush with the finished surfaces including plaster. All joints in the installation shall be tight and covers properly gasketted and fixed to prevent ingress of concrete slurry, water or dust.

9.3. CONDUIT WIRING

Conduit wiring shall generally be carried out with single core XLPE insulated cables/wires.

The Conduit installation shall be complete in all respects before the cables are drawn in conduits. All conduit runs shall be thoroughly cleaned of dust, moisture, etc. by blowing compressed air or by any other suitable means. An approved lubricating compound (such as soap stone powder, lux flakes or talc) shall be applied to the insulated cables before they are drawn in conduits. The cables shall be neatly bunched together to prevent kinks or twisting.

9.4. SUPPLY AND POINT WIRING

Each point wiring shall comprise the following :

Supply and installation of %" / 1" / 1 ¼" heavy duty M.S. / XLPE conduits with MS/XLPE accessories such as 90° bends, inspection tees etc. as required - supply and pulling of 2 nos. 3/22 XLPE insulated stranded copper single core wires of 440V grade and one number 14 SWG copper wire outside conduit for earthing. It shall also include supply and installation of multi-way large round junction boxes with Dome/Flat covers and four way, 15A terminal block. For suspending of fluorescent lighting fitting dome cover junction box shall be used.

Supply, Fabrication and Fixing of hardware such as Clamp, Saddles, Bolts, Nuts, Framework, etc. as required. 14 gauge bare copper earthing wire shall be run within conduits for earthing of fittings, junction boxes, switch/single phase socket outlet enclosures.

Earthing shall be done at single point.

Wiring from LDB to lighting fittings exhaust fans single phase outlets, shall be carried out with 3/22, YY cables through %" /1" /1 ¼" heavy duty M.S. / XLPE conduits.


Junction boxes shall be fixed on brackets, fabricated from 25 x 3 mm MS flat. Such brackets shall be fixed to the ceiling/wall by means of anchor bolts/nylon raw plugs and screws. Each equipment such as lighting fittings, switches, junction boxes, socket outlets, exhaust fans, etc. shall be earthed internally by the third core of the 3 x 2.5 mm YWY cable used.

9.5. MEASUREMENT OF POINT WIRING

Wiring from DB.'s / switchboard to the first lighting fitting through the circuit switch shall be considered as one point. Wiring from the first fitting to the next fitting in the same circuit shall be considered as half point. Wiring to the exhaust fan shall be considered as one point. For measurement of switch socket point wiring, wiring from D.S. / switchboard upto first socket outlet through ckt. Switch shall be considered as one point. Subsequent wiring to nest socket outlet shall be considered as half point. Supply and installation of light fitting, fans, exhaust fans, socket outlets shall be covered under separate item rate.

If a separate circuit is tapped from the same lighting circuit, it shall be treated as half point.

If a socket is located very near to a Distribution Board, it will be considered as half point. Otherwise this shall be considered as an independent point.

TECHNICAL SPECIFICATION FOR INSTALLATION, TESTING & COMMISSIONING OF ELECTRICAL EQUIPMENTS	Doc No.	Rev	
	GAIL-STD-EL-DOC-TS-006	0	
	Page 17 of 28		

Quoted rate of point wiring is applicable for any length of conduit emanating from LOB to first fig subsequent point also.

10.0 EARTHING AND LIGHTNING PROTECTION

10.1. GENERAL

This section covers installation of earthing system for electrical equipment, static earthing and for lightning protection. Installation of earthing system for an electrical equipment and static earthing shall be carried out in accordance with IS : 3043 - 'CODE OF PRACTICE FOR EARTHING' and IS : 7689 - 'GUIDE FOR CONTROL OF UNDESIRABLE STATIC EARTHING' respectively. Earthing system for lightning protection shall be in accordance with IS : 2309 - 'CODE OF PRACTICE FOR THE PROTECTION OF BUILDINGS AND ALLIED STRUCTURES AGAINST LIGHTNING'.

Generally, a common earthing system shall be provided for equipment earthing and static earthing. The earthing system for lightning protection shall be separate and may be interconnected with the former, unless otherwise specified in the drawings/specific requirement.

10.2. EARTH ELECTRODES

Earth electrodes shall generally consist of copper or G.I. plates buried in ground or copper coated steel rods or cast-iron pipes driven in ground. The type of electrodes shall be specified in the Bid documents. The method of installation of earth electrode shall be in accordance with the drawings or in accordance with IS : 3043, when the drawings are not furnished.

10.3. MAIN EARTH CONDUCTORS

Main earth conductors shall be copper or G.I. flats or stranded copper / aluminium conductors with or without XLPE sheath as specified in the Bid documents. They shall be connected, at one end, to the earth electrode and to the earth bus or test-link at the other end. All connections below ground shall be made by bolting or riveting and brazing or welding. Sizes of main earth conductors shall be as per drawings or as specified. All connections to the test-link or earth bus shall be securely bolted. Contact surfaces shall be tinned and suitably protected with Petroleum Conducting Jelly to prevent corrosion. All connections below ground shall be protected as per IS : 3043.


10.4. EARTH SYSTEMS AND EQUIPMENT EARTHING

Main Earth Loops or Earthing Ring Mains shall originate from the earth bus or test links. Equipments shall be connected to the main earth loops by means of earth conductors.

All electrical equipment viz. Power centres, motors, control stations, switches lighting fittings and other electrical apparatus shall be connected to the main earth loop by means of two separate and distinct, external earth conductors. The material, type and size of the earth conductors will be as shown in the drawings or as specified.

Two earth terminals will, generally, be provided on most of the electrical equipment. However, if these are not provided, the Contractor shall provide the same, by drilling and tapping the equipment suitably and supply necessary hardware. The entire conduit installation, cable sheaths and cable armour shall also be bonded to earth at both ends.

It must be ensured that the conduit installations maintain electrical continuity throughout its entire length. Conduits shall be effectively bonded together at each joint, such as couplings, junction boxes, draw boxes or any other accessories and equipments. Where conduits and screwed cable glands are terminated at equipment enclosures with slipholes,

TECHNICAL SPECIFICATION FOR INSTALLATION, TESTING & COMMISSIONING OF ELECTRICAL EQUIPMENTS	Doc No.	Rev	
	GAIL-STD-EL-DOC-TS-006	0	
	Page 18 of 28		

earthing/bonding washer shall be used to maintain electrical continuity.

Process equipment and piping requiring static earthing shall also be earthed in a similar manner.

Steel structures for buildings, steel platforms, staircases, ladders, handrails shall also be bonded to the main earth loops by means of two separate and distinct earth conductors at two points which are as remote as possible.

All earth connections with solid or stranded conductors shall be made by means of soldered/crimping cable lugs. Connections with copper or G.I. flats shall be directly bolted type. All hardware used shall be galvanised steel, brass or passivated to prevent corrosion. Spring washer or lock-washers shall be used to make all connections secure and vibration-proof. All contact surfaces shall be thoroughly cleaned and coated with conducting petroleum jelly to prevent corrosion. Copper tapes shall be tinned at contact surfaces.

Main earth conductors from earth bus or test-link to the Earth Electrode shall be coated with bitumastic to reduce straddle potential.

10.5. LIGHTNING PROTECTION

Lightning protection system shall generally comprise lightning finials (air terminals), roof conductors, down conductors, test links and earth electrodes: The number, types, materials and sizes shall be in accordance with the drawings.

Air terminals shall be mounted on top of buildings or structure as shown in the drawings. All air terminals shall be inter-connected with roof conductors, pipes, hand rails or any other metallic projection above the roofs shall also be bonded to the roof conductors. Down conductors from air terminals or from roof conductors shall be routed as directly as possible to the test links on earth buses, with minimum bends.

All provisions regarding connections of conductors for equipment earthing system shall also apply to lightning protection system.

In corrosive atmospheres, lightning finials or air terminals shall be covered by plumbing metal fore corrosion protection.

11.0 ELECTRICAL INSTALLATION IN HAZARDOUS AREAS

11.1. GENERAL


Electrical installation in hazardous areas as defined in IS : 5571 shall be carried out with utmost care and special precautions shall be taken to ensure operational safety.

All personnel, especially supervisory staff, working on such installations shall be fully conversant with the applicable National Standards and Codes of Practice and shall have previous experience of such work.

11.2. EQUIPMENT AND MATERIALS

Electrical equipment and materials used in the installation shall conform to the relevant Standards and shall be certified (by a competent authority) suitable for use in Division 1 or Division 2 hazardous areas, as the case may be.

No modifications shall be made in any certified equipment or material used in the installation which will impair its effectiveness and invalidate the certificate.

TECHNICAL SPECIFICATION FOR INSTALLATION, TESTING & COMMISSIONING OF ELECTRICAL EQUIPMENTS	Doc No.	Rev	
	GAIL-STD-EL-DOC-TS-006	0	
	Page 19 of 28		

All certified equipments shall be inspected before their use for any damaged or deteriorated condition which will render the equipment unsafe. Such equipments shall not be used in the installation.

When any equipment is dismantled for the purpose of installation, care shall be taken to prevent damage to vulnerable parts such as screw threads, conduits threads, machines surfaces, etc. If the equipment is to remain dismantled for a prolonged period, machined surfaces, screw threads, etc. shall be protected against corrosion by means of grease, oil, petroleum jelly or any suitable corrosion inhibitor. These shall, however, be cleaned thoroughly before re-assembly.

All hardware used for mounting shall be hot dip galvanised or plated to prevent corrosion. All bolted connections shall be made secure and vibration proof by means of locknuts, lock washers, etc.

11.3. WIRING

All wiring in Division 1 hazardous areas shall be carried out with armoured cables or with solid drawn seamless conduits. In Division 2 areas, ERW conduit may be used.

Termination of cables shall be made with certified or approved cable glands boxes shall be effectively sealed. All conductors connections shall be made with soldered/crimping cable lugs, or approved mechanical connectors. It must be ensured that all connections shall be made secure and vibration-proof, by means of locknuts, lock-washers, etc. Prevention of strain at terminations is of utmost importance.

11.4. EARTHING

All provisions for earthing apply with much greater force regarding effective bonding of electrical equipment, cable armour, conduit installation, process equipments and process piping (requiring static earthing) to the earthing system.

Special attention shall be paid to the following :


- a) Adequate support for earth conductors throughout for protection against breakage.
- b) Secure and vibration proof earth connections, protected suitably against corrosion.
- c) Continuity of conduit installation or process piping when static earthing is required, by means of conduit bonds.

11.5. MISCELLANEOUS

All openings between hazardous and non-hazardous areas for cable and conduits shall be properly sealed by approved means. In case of conduit wiring, conduit stopper boxes shall be used in conduit runs at the junction of hazardous and non-hazardous areas or at terminations of conduit runs at any equipment such as motors, starters, push buttons, etc. Stopper boxes at the junction of hazardous and non-hazardous areas, shall be located at the boundary between the 2 areas.

11.6. STEEL WORK

11.6.1. All steel work carried out by the Contractor for equipment and cable supports such as cable trays, brackets, hangers, saddles, etc. shall be of the best workmanship. Only certified

TECHNICAL SPECIFICATION FOR INSTALLATION, TESTING & COMMISSIONING OF ELECTRICAL EQUIPMENTS	Doc No.	Rev	
	GAIL-STD-EL-DOC-TS-006	0	
	Page 20 of 28		

welders shall be employed for welding. All bolted connections shall be made secure and vibration proof by means of spring washers or lock washers or lock nuts. Fixing or grouting of steel-work in floor, ceilings or walls shall be carried out with approved foundation bolts or fasteners.

11.6.2. Finished steel work shall be thoroughly cleaned by wire-brushing or sand blasting etc. All scales and rust shall be removed. The steel work shall be then painted with 2 coats of approved primer such as red oxide or red lead and shall be finished with 2 further coats of approved paint.

11.6.3. When atmospheric conditions are highly corrosive, chemical works type paints may be specified. In such cases, special primers and paints shall be used for adequate protection from corrosion.

12.0 INSPECTION, TESTS AND COMMISSIONING OF ELECTRICAL EQUIPMENT AND INSTALLATION

12.1. GENERAL

This Section covers the requirements of inspection and tests to be carried out on equipment and installation as well as commissioning of electrical installation. Inspection and tests shall be carried out jointly by the Contractor, Owner & Owner's Representative.

12.2. INSPECTION

Inspection shall be carried out to ensure that the complete installation is carried out in accordance with drawings and complies with the requirements laid down by Indian Electricity Rules, Regulations for the Electrical Equipment of Building by Insurance Association of India (Fire Section), Indian Standard Specifications & Codes of practice, Electrical Inspector, Explosive Inspector and any other statutory regulations. And

competent authorities. The complete installation shall be subject to the approval of any or all of the competent authorities and the Owner / Owner's representative.


12.3. TESTS

The tests specified below shall be carried out on the electrical equipment and installation before commissioning the same. The tests shall be performed by or under the direct supervision of a competent person, qualified to carry out the tests. All tests shall be carried out in the presence of the Authorised Representative of the Owner.

The installation shall not be accepted by the Owner unless it has been approved by the competent authorities, and the authorised representative of the Owner and/or the Owner's representative.

All test results shall be recorded on prescribed ' ELECTRICAL TEST REPORTS ' duly signed by the person conducting the test and by the authorised representative of the Owner and/or the Owner's representative, if tests are witnessed.

In case the installation is found to be not in conformity with the requirements or the test results indicate defective materials or workmanship, the same will have to be rectified to the complete satisfaction of the Owner/Owner's representative and tested again.

TECHNICAL SPECIFICATION FOR INSTALLATION, TESTING & COMMISSIONING OF ELECTRICAL EQUIPMENTS	Doc No.	Rev	
	GAIL-STD-EL-DOC-TS-006	0	
	Page 21 of 28		

DETAILS OF TESTS

• POWER CONTROL CENTRE WITH ACB


- a) Check proper mechanical operation of circuit breakers including alignment of trolleys in case of draw-out type circuit breakers, smooth operation of all mechanical parts, lubrication, mechanical interlocks etc.
- b) Check contact alignment and wipe, proper sequence of closing and opening of main and arcing contacts.
- c) Check electrical relays, instruments and controls for correct wiring.
- d) Insulation test on bus bars - phase to phase and phase to ground. This test will be carried out with circuit breakers in service position, but contacts remaining open.
- e) Insulation test on relays and control wiring including current and potential transformers and wiring of CT & PT secondary.
- f) Insulation test on circuit breakers in withdrawn position - phase to phase and phase to ground with contacts closed.
- g) Adjust correct settings of relays and/or direct acting trips - as specified.
- h) Operation Test - Energise only control circuits and carry out closing and tripping operations (where AC supply derived from main supply is used for operation, the switch-gear bus may be energised). Check operations of electrical interlocks. Check tripping of circuit breakers by manual operations of protective relay contacts. Check operations of mechanical closing and tripping devices. Check lockout conditions for closing of circuit breakers by simulating the required conditions. Check control, indications, sequence interlocks and alarms.
- i) Polarity and connections of instrument transformers - Check for correctness of CT & PT connections provided. Check electrical continuity of secondary circuits with ELV tester.
- j) Adjust spacing of arcing horns/rod gaps, if provided.
- k) Check operation of instruments, meters, relays and tripping of circuit breakers by primary/secondary injections as specified.
- l) Check continuity of power circuits and earth continuity of all non current carrying metallic parts with a low voltage (6 volts or less) continuity tester.
- m) Carry out HV test on power and control circuits, if specifically called for.

• SWITCHGEARS, POWER CONTROL CENTRES (POWER DISTRIBUTION BOARDS), UPS, ETC.

- a) Check equipment, internal wiring, smooth mechanical operation, interlocks, etc.
- b) Check continuity of power circuits and earth continuity of all non current carrying metallic parts with a low voltage continuity tester.
- c) Insulation test for power & control circuits between phases, between phases and neutral and between phase/neutral and ground.
- d) Check operation by energising control circuits (without energising power circuits) for correct functioning. Simulate external controls and interlocks for the same. Note chatter or humming of Contractor and rectify, if necessary.
- e) Check fuse relay and relay.
- f) Carry out HV test on power & control circuits, if specifically called for in Bid documents.
- g) Polarity and connections of instrument transformers - check for correctness of CT & PT connections provided. Check electrical continuity of secondary circuits with ELV tester.

• MOTORS

- a) Check equipment for free movement of rotor, and play, lubrication, and for any other mechanical defects.
- b) Insulation test of motors.

TECHNICAL SPECIFICATION FOR INSTALLATION, TESTING & COMMISSIONING OF ELECTRICAL EQUIPMENTS	Doc No.	Rev	
	GAIL-STD-EL-DOC-TS-006	0	
	Page 22 of 28		

- c) Check electrical continuity with ELV tester.
- d) No load running of motor noting down no load current and voltages in all three phases.

• CABLES

- a) Insulation Test - between phases, between each phase and neutral and between each phase/neutral and ground Ref. Appendix - II).
- b) In case of lighting wiring, insulation test shall be carried out on lighting feeders with branch circuits open. Branch circuits shall be tested separately with lampholders, plug receptacles and lighting fittings in position, but without lamps. In case of lighting circuits with lamp ballasts and glow starters insulation resistance may be measured between phase and ground only.
- c) In case of directly buried cables, insulation resistance of cables shall be measured before and after the back-filling.
- d) Test all receptacles for correct phase sequence .

• EARTHING SYSTEM

- a) Measure earth resistance of each electrode separately. If a number of earth electrodes are interconnected with one another, combined earth resistance shall also be measured. The earth resistance of each electrode and/or a group of electrodes shall not exceed the values specified.
- b) Continuity test for earth continuity conductors with ELV tester

• BATTERY

- a) Visual inspection of all components.
- b) Capacity test as per I.S.

13.0 INSTRUMENTS & TOOLS

13.1. GENERAL

This section covers the instruments, tools & plant which will normally be required to carry out the electrical installation including testing and commissioning and which shall be made available as and when required by the Contractor. Meters used for tests shall be of proven accuracy and to the satisfaction of the Owner's representative.

13.2. TOOLS AND PLANT

13.2.1. Hand Tools


Screw drivers, pliers, cutters, spanners, hacksaw, hammers, rawl punches, etc.

13.2.2. Power Driven Tools & Equipment

Drilling, grinding, cutting machines, hammers, arc welding set, oxy-acetylene welding and cutting set and welding accessories.

13.3. INSTRUMENTS

- A. Instruments to be always available at Site.
 - a) Insulation resistance tester (Megger) rated 500 volts.
 - b) Multi-meter of a reputed made.
 - c) Clip-on ammeter/voltmeter (tong tester)
 - d) Phase sequence indicator.
 - e) Extra low voltage continuity tester (6 volts or less).

TECHNICAL SPECIFICATION FOR INSTALLATION, TESTING & COMMISSIONING OF ELECTRICAL EQUIPMENTS	Doc No.	Rev	
	GAIL-STD-EL-DOC-TS-006	0	
	Page 23 of 28		

- B. Instruments to be made available as and when required.
 - a) Insulation resistance tester (Megger) rated 500/100/2500/5000 volts.
 - b) Earth resistance tester with all accessories.
 - c) High voltage testing set.
 - d) Relay testing equipment.

14.0 LABOUR, SUPERVISION, COORDINATION AND PROGRESS, LICENCE, STATUTORY APPROVAL

14.1. SUPERVISORY LICENCE

The Contractor shall possess a valid contractor's licence for the state in which site is located and shall ensure its validity during the duration of the contract. The Contractor shall furnish authenticated copies of certificates to the Owner for himself and his workmen before commencement of work.

14.2. LABOUR

The Contractor shall employ adequate number of supervisors to control the labour force and to carry out the work as per schedule. Supervisory staff shall also possess the minimum qualifications stipulated by statutory and competent authorities.

14.3. SUPERVISION

The Contractor shall employ adequate number of supervisors to control the labour force and to carry out the work as per schedule. Supervisory staff shall also possess the minimum qualifications stipulated by statutory and competent authorities.

14.4. COORDINATION

The Contractor shall coordinate his work with that of other agencies, so that the work can proceed smoothly and without hindrance to all concerned.

14.5. PROGRESS

The Contractor shall submit periodic Progress Reports to the Owner's representative. The period of report shall be determined by the Owner's representative. The Progress Report shall indicate planned progress as per programme and physical progress. The format in which the reports are to be submitted shall be decided by the Owner's representative.

14.6. STATUTORY APPROVAL

The Contractor shall be totally responsible for obtaining statutory approval from the electrical inspector or any other statutory authority for the entire installation carried out by him unless otherwise specified and agreed. Necessary test reports shall be submitted by him to electrical inspector. This will be an integral part of the contract and shall not be paid for separately. However, fees payable to statutory authorities shall be borne by Owner.

14.7. EXTRA ITEMS

Extra items of work pertaining to the electrical installation may have to be carried out by the Contractor whenever required. The contractor shall submit to the Owner the invoices covering unit rate or lumpsum price for such extra items. Such invoices shall be complete with documents of authorisation and work approval and necessary break up for the cost.


15.0 RECONCILIATION

After completion of installation and commissioning work, Contractor has to reconcile all the materials such as steel and cables issued free to him by the Owner. Only 3% will be allowed as wastage for reconciliation and cut piece above 1 M length shall be considered accountable.

16.0 QUALITY ASSURANCE-- QUALITY CONTROL

16.1. QUALITY ASSURANCE (Q.A.)


Quality Assurance (Q.A.) shall be furnished by contractor for Owner's / Consultant

TECHNICAL SPECIFICATION FOR INSTALLATION, TESTING & COMMISSIONING OF ELECTRICAL EQUIPMENTS	Doc No.	Rev	
	GAIL-STD-EL-DOC-TS-006	0	
	Page 24 of 28		

- approval.
- 16.2. Q.A. INVOLVEMENT
Q.A. involvement will commence at the instigation of the project and follow through to final acceptance of each and every system and item of equipment, thus ensuring total conformity to the Owner's requirements.
- 16.3. TEST SHEETS
The Contractor shall provide the necessary 'Test Sheets' for recording the results of his electrical acceptance tests.
- 16.3.1. The full set of forms shall be submitted to the Owner's representative for his approval prior to the implementation of the acceptance testing programme.
- 16.3.2. The tests which the Contractor must perform, as a minimum requirement, shall be those described in clause 13.0 of this specification in the order indicated and shall be made in accordance with the equipment and/or systems Standards and Regulations quoted by the Owner's representative in the Bid documents and any tests required by the particular equipment/system manufacturer.
- 16.3.3. Test values acceptable to the Owner's representative shall be those laid down in the indicated standards and specifications by the Owner's representative, together with any values quoted in the Bid documents. Any discrepancy in the acceptable test values discovered by the Contractor shall be resolved by the Owner's representative, whose interpretation shall be final. No equipment shall be set to work unless tests on its associated circuits have been found satisfactory.

17.0 ACCEPTANCE OF INSTALLATION


On completion of the work the Owner's representative, together with a representative of the Owner and the Contractor, will carry out an Inspection of the Installation. The Owner's representative will issue a completed copy of the Owner's Acceptance of Electrical Installation to the Contractor as confirmation that the work has been accepted, subject to any matters noted on the form being attended to.

TECHNICAL SPECIFICATION FOR INSTALLATION, TESTING & COMMISSIONING OF ELECTRICAL EQUIPMENTS	Doc No.	Rev	
	GAIL-STD-EL-DOC-TS-006	0	
	Page 25 of 28		

APPENDIX 1 - LIST OF CODES, STANDARDS & STATUTORY REGULATIONS

Spare capacity is depending on the type of equipment and is defined in the following table.

IS: 732	Code of Practice for Electrical Wiring Installations.
IS: 1646	Code of Practice for Fire Safety of Buildings (General) Electrical Installation.
IS: 3043	Code of Practice for Earthing.
IS: 2309	Code of Practice for the Protection of Buildings & Allied Structures against Lightning.
IS: 7689	Guide for control of undesirable static electricity.
IS: 900	Code of Practice for Installation and Maintenance of Induction Motors.
IS: 10118	Code of Practice for Selection, Installation and Maintenance of Switch gear and
Parts I to IV	control gear
IS: 5571	Guide for Selection of Electrical Equipment for Hazardous Areas.
IS: 5572	Classification of Hazardous Areas of Electrical Installation.
IS: 5216	Safety Procedure and Practice in Electrical work.
-	Regulations for the Electrical Equipment of Buildings - The Institution of Electrical Owner's representatives.
-	Indian Electricity Rules.
-	Fire Insurance Regulations
-	Factory Act & Regulations
-	National Building Code (ISI Publication)
-	National Electrical Code (ISI Publication)
-	Tariff Advisory Committee Regulation

TECHNICAL SPECIFICATION FOR INSTALLATION, TESTING & COMMISSIONING OF ELECTRICAL EQUIPMENTS	Doc No.	Rev	
	GAIL-STD-EL-DOC-TS-006	0	
	Page 26 of 28		

APPENDIX 2 – CABLE

1. TESTING AND ELECTRICAL MEASUREMENTS OF CABLE INSTALLATIONS

1.1. INSULATION RESISTANCE TEST ON NEWLY INSTALLED CABLES BEFORE JOINTING.

All new cables should be tested for insulation resistance before jointing. After satisfactory results are obtained cable jointing and termination work should commence. It should be noted here that insulation resistance test gives only approximate insulation resistance and the test is meant to reveal gross insulation fault(s). A fairly low insulation resistance reading compared to the values obtained at factory testing should not be a cause of worry since the insulation resistance varies greatly with parameters such as length and temperature. This is particularly more pronounced in the case of XLPE cables. The voltage rating of the insulation resistance tester for cables of different voltage grades should be chosen from the following table:

Voltage Grade of Cable	Voltage Rating of IR Tester
1.1 Kv	500 V
3.3kV	1000 V
6.6kV	1000 V kV
11	1000V
22	kV 2.5 kV (see Note)
33	kV 2.5 kV (see Note)

NOTE - For long feeders, motorized insulation resistance tester should be used.

1.1.1. More accurate insulation resistance values can be measured only by a portable resistance measuring bridge.

1.2. TEST RESULT OF COMPLETE CABLE -INSTALLATION

The test of completed installation may be measured and entered into record book for comparison purposes during service life of cable installation and during fault location.

1.2.1. Insulation Resistance

Insulation resistance is measured by a suitable bridge. In non-screened cables, the insulation resistance of each core is measured against all the other cores and armour/metal sheath connected to earth. With screened construction the insulation resistance of each core is measured against all the other cores and the metal screen connected to earth.

1.2.2. Conductor Resistance (dc)

1.2.2.1. *The resistance of conductor is measured by a suitable bridge. For this purpose conductors at other end are looped together with connecting bond of at least same effective electrical cross-section as conductor. The contact resistance is kept to a minimum by proper clamped or bolted connections. With properly installed and jointed cables, values thus measured and corrected to 20°C, are in general agreement with values given in test certificates.*

1.2.2.2. *The measured loop resistance is converted to ohms per km per conductor as :*

$$1) \quad R_t = R$$

$$2) \quad \frac{R_t}{2L}$$

where


R = measured loop resistance in ohms at temperature, t°C;

R_t = measured resistance per conductor at t°C in ohms; and

L = length of cable (not the loop) in km.

The ambient temperature at the time of measurement to be recorded and the conductor resistance to be corrected to 20°C by the following formula:

$$3) \quad R_{20} = \frac{R_t}{\quad} \quad \text{ohm/km at } 20^\circ\text{C}$$

TECHNICAL SPECIFICATION FOR INSTALLATION, TESTING & COMMISSIONING OF ELECTRICAL EQUIPMENTS	Doc No.	Rev	
	GAIL-STD-EL-DOC-TS-006	0	
	Page 27 of 28		

4) $(1 + \alpha)(t - 20)$

where

R₂₀ = conductor de resistance at 20°C in ohm/km;

t= ambient temperature during measurement in °C ; and

L= temperature coefficient of resistance

(3.93 x 10.3 ohms/°C for aluminium).


2. CABLE INSTALLATION PLAN

2.1.1. On completion of laying, terminating and jointing of the cables, a plan should be prepared, which should contain the following details of the installation:

- a) type of cables, cross-section area, rated voltage. Details of construction, cable number and drum number;
- b) Year and month of laying;
- c) Actual length between joint-to-joint or ends
- d) Location of cables and joints in relation to certain fixed reference points, for example, buildings, hydrant, boundary stones, etc.;
- e) Name of the jointer who carried the jointing work;
- f) Date of making joint; and
- g) Results of original electrical measurements and testing on cable installation.

2.1.2. All subsequent changed in the cable plan should also be entered.

* * * * *

TECHNICAL SPECIFICATION FOR INSTALLATION, TESTING & COMMISSIONING OF ELECTRICAL EQUIPMENTS	Doc No.	Rev	
	GAIL-STD-EL-DOC-TS-006	0	
Page 28 of 28			



GAIL INDIA LIMITED



**DATA SHEET FOR MAIN ELECTRICAL
DISTRIBUTION BOARD (MEDB)**

TOTAL SHEETS

07

DOCUMENT NO

GAIL-STD-EL-DOC-DS-001

REV	DATE	DESCRIPTION	PREP	CHK	APPR
0	30.01.19	ISSUED FOR BID	RKS	SB	SB

TABLE OF CONTENTS

- 1.0 GENERAL**
- 2.0 BUS BAR**
- 3.0 CURRENT TRANSFORMER**
- 4.0 POTENTIAL TRANSFORMER**
- 5.0 SWITCHES**
- 6.0 FUSES**
- 7.0 RELAYS**
- 8.0 INSTRUMENT METERS**
- 9.0 MOULDED CASE CIRCUIT BREAKER**
- 10.0 CIRCUIT BREAKERS**
- 11.0 CONTACTOR**



**DATA SHEET FOR MAIN
ELECTRICAL DISTRIBUTION
BOARD (MEDB)**

Document No.

Rev

GAIL-STD-EL-DOC-DS-001

0

SHEET 2 of 7

(TECHANICAL DATA SHEET)

TECHINICAL DATA SHEET (To be furnished by Vendor)

1.0 GENERAL

- 1.1 Design ambient, Humidity, altitude (Site Conditions) :
- 1.2 Supply system Voltage :
- 1.3 Rated Current :
- 1.4 Symmetrical Short Circuit capacity/ Switchgear Fault Rating :
- 1.5 Power frequency withstand voltage :
- 1.6 Short circuit Making/ Breaking Capacity :
- 1.7 Supply system Earthing :
- 1.8 Cable entry (Incoming & Outgoing) :
- 1.9 Earth Bus bar – Material, Rating, Size etc :
- 1.10 Control supply voltage :
- 1.11 Withdrawable - Draw out type / Fixed :
- 1.12 Lifting arrangement :

- 1.13 Make :
- 1.14 IP Class of enclosure :
- 1.15 Type :
- 1.16 Thickness of sheet steel :
- 1.17 Treatment :
- 1.18 Painting :
- 1.19 Overall dimension :
 - L
 - B
 - H
- 1.20 Space heater rating of each panel :
- 1.21 Weight of the MEDB :

2.0 BUS BAR

- 2.1 Material :
- 2.2 Size :
 - a) Horizontal bus bar :
 - b) Vertical bus bar :
 - c) Ground :
- 2.3 Minimum Clearance :
 - a) Between phases :



**DATA SHEET FOR MAIN
ELECTRICAL DISTRIBUTION
BOARD (MEDB)**

Document No.

Rev

GAIL-STD-EL-DOC-DS-001

0

SHEET 3 of 7

- b) Between phase and earth :
- 2.4 Minimum creep age distances :
- 2.5 Current rating :
- a) Continuous :
- b) Short time for 1 second :
- 2.6 Temp. rise over ambient :
- a) Supports :
- b) Material :
- c) Make :
- d) BIL :
- 2.7 a) Supports :
- b) Materials :
- c) Make :
- d) Voltage :
- e) BIL :
- 2.8 Bus bar insulation :
- 2.9 Bus bar phase identification mark :

3. CURRENT TRANSFORMER (CT)

- 3.1 Make :
- 3.2 Type of primary winding :
- 3.3 Ratio :
- 3.4 Rated Burden :
- 3.5 Accuracy class :

4.0 POTENTIAL TRANSFORMER (PT)

- 4.1 Make
- 4.2 Type of primary winding
- 4.3 Ratio
- 4.4 Rated burden
- 4.5 Accuracy class



**DATA SHEET FOR MAIN
ELECTRICAL DISTRIBUTION
BOARD (MEDB)**

Document No.

Rev

GAIL-STD-EL-DOC-DS-001

0

SHEET 4 of 7

5.0 SWITCHES

- 5.1 Rated voltage
- 5.2 Rated thermal current
- 5.3 Duty

6.0 FUSES

- 6.1 Make
- 6.2 Type of HRC fuse
- 6.3 Rated voltage

7.0 RELAYS

- 7.1 Application
- 7.2 Make

8.0 INSTRUMENT AND METERS

- 8.1 Application
- 8.2 Make
- 8.3 Maker's type
- 8.4 Ref. Standard
- 8.5 Operating principle
- 8.6 Rated voltage/current
- 8.7 Burden at rated voltage/current
- 8.8 Operating range
- 8.9 Scale range

9.0 MOULDED CASE CIRCUIT BREAKER (MCCB)

- 9.1 Make



**DATA SHEET FOR MAIN
ELECTRICAL DISTRIBUTION
BOARD (MEDB)**

Document No.

Rev

GAIL-STD-EL-DOC-DS-001

0

SHEET 5 of 7

- 9.2 Rated Voltage
- 9.3 Rated Thermal current
- 9.4 Short Circuit Capacity

10.0 CIRCUIT BREAKERS

- 10.1 Make
- 10.2 Short circuit capacity
- 10.3 Short circuit category
- 10.4 Type of medium
- 10.5 Rated voltage
- 10.6 Maximum operating voltage
- 10.7 Frequency
- 10.8 No. of poles
- 10.9 Rated operating duty
- 10.10 Current rating
 - a) Continuous
 - b) Short circuit Rating
- 10.11 Type of closing mechanism
- 10.12 Type of tripping mechanism
- 10.13 Anti pumping features
- 10.14 Details of spring charged motor
 - a) Motor
 - b) Rating
 - c) Insulation
 - d) Duty
- 10.15 Control Voltage with range
 - a) Closing
 - b) Tripping
 - c) Alarm and Indication



**DATA SHEET FOR MAIN
ELECTRICAL DISTRIBUTION
BOARD (MEDB)**

Document No.	Rev
GAIL-STD-EL-DOC-DS-001	0
SHEET 6 of 7	

10.16 Power *I* Current required for

- a) Closing
- b) Tripping

11.0 CONTACTOR

11.1 Make

11.2 Rated Voltage

11.3 Rated Thermal current

11.4 Short circuit capacity

* * * * *



**DATA SHEET FOR MAIN
ELECTRICAL DISTRIBUTION
BOARD (MEDB)**

Document No.

Rev

GAIL-STD-EL-DOC-DS-001

0

SHEET 7 of 7



GAIL INDIA LIMITED



**DATA SHEET FOR POWER & CONTROL
CABLES**

TOTAL SHEETS

04

DOCUMENT NO

GAIL-STD-EL-DOC-DS-002

REV	DATE	DESCRIPTION	PREP	CHK	APPR
A	30.01.19	ISSUED FOR BID	RKS	SB	SB

TECHNICAL DATA SHEET

TECHNICAL DATA SHEET (To be furnished by Vendor)

1. Name of the manufacturer
2. Voltage Grade
3. Type of cable
4. Standard Referred
5. Conductor
 - a. Material grade
 - b. No. of cores
 - c. Max allowable temperature (running & Short circuit)
 - d. Approx. Diameter
 - e. Normal cross sectional area
 - f. Shape of the conductor
 - g. Max. D.C. resistance at 20 Deg. C.
 - h. Number of strands
6. **Insulation**
 - a. Type and material of Insulation
 - b. Thickness of insulation
 - c. Colour Scheme/Core Identification
 - d. Extruded
7. **Inner-Sheath**
 - a. Material
 - b. Minimum Thickness
 - c. Extruded
 - d. Approximate dia over inner sheath



**DATA SHEET FOR POWER &
CONTROL CABLES**

Document No.

Rev

GAIL-STD-EL-DOC-DS-002

0

SHEET 2 of 4

8. **Armour**

- a. Type
- b. Material
- c. Nominal Thickness
- d. Diameter

9. **Outer Sheath**

- a. Material
- b. Minimum Thickness
- c. Extruded

10. **Approximate overall diameter.**

11. **Normal drum length**

12. **AC resistance of the conductor at maximum operating Temperature**

13. **Approximate Reactance and Capacitance of Cable per phase at 50Hz.**

14. **Current Rating**

- a. In ground
- b. In air
- c. Maximum conductor temperature during continuous Operation
- d. Maximum conductor temperature during short Circuit
- e. Short circuit rating



DATA SHEET FOR POWER & CONTROL CABLES

Document No.

Rev

GAIL-STD-EL-DOC-DS-002

0

SHEET 3 of 4

f. Maximum permissible bending radius

15. Standard Drum Length/Size/Material

16. FRLS properties

17. Embossing on Outer sheath

* * * * *



**DATA SHEET FOR POWER &
CONTROL CABLES**

Document No.

Rev

GAIL-STD-EL-DOC-DS-002

0

SHEET 4 of 4



GAIL INDIA LIMITED
QUALITY ASSURANCE PLAN (QAP)
PANELS & DISTRIBUTION BOARDS



DOC. No: GAIL-STD-EL-DOC-QAP-001

date -29.01.2019

QAP for Panels/Distribution Boards

SL. No.	Component/Operation	Class	Type of Check	Quantum of Check	Reference Doc	Acceptance Norms	Inspection			
							MANU.	TPI	GAIL	
1	Raw Material Inspection									
1.1	Cubicle	1. Material	B	Visual	100%	IS 513	IS 513	P	R	R
		2. Adhesion	B	Visual	100%	No peeling	No peeling	P	R	R
		3.Coating Thickness	B	Physical	One per lot	60 Microns	60 Microns	P	R	R
		4. Overall Quality & Correctness	B	Visual	100%	As per Drawing	As per Drawing	P	R	R
1.2	Wire	1. Dimension & size	B	Physical	One per lot	IS 694 / IS 732	IS 694 / IS 732	P	R	R
		2. Routine Test	B	Physical		IS 694 /IS 732	IS 694 /IS 732	P	R	R
1.3	Bus bar	1. Dimension	B	Visual	One per lot	IS 5082	IS 5082	P	R	R
		2. Conductivity	B	Electrical		IS 5082	IS 5082	P	R	R
		3. Material grade	A	Test Report		IS 5082	IS 5082	P	R	R
1.4	ACB's, MCCB's, Switches, Fuse connectours, O/L Relays, Timers, MCB's, Terminal Blocks, Control Indicating & Measuring instruments, CT, PT, Control Transformer & Protection Relays etc	1. Physical Check	B	Visual	100%	IS 13947 /IEC 60947	IS 13947 /IEC 60947	P	R	R
		2. Type & Rating	B	Visual				P	R	R
		3. Make	B	Visual				P	R	R
		4. Coil Voltage	B	Electrical				P	R	R
		5. Operation	B	Electrical				P	R	R
		6. Continuity (On/Off)	B	Electrical				P	R	R
		7. Test Certificate	A	Records				P	R	R
1.5	Push Buttons, SFU, Indicating Lamps, Fuses etc	1. Physical Check	B	Visual	100%	IS 13947 /Fuse -IEC 60269	IS 13947 /Fuse -IEC 60269	P	R	R
		2. Type & Rating	B	Visual	100%			P	R	R
		3. Operation	B	Electrical	10%			P	R	R
		4. Continuity (On/Off)	B	Electrical	10%			P	R	R
1.6	Paint	1. Shade	B	Visual	Sample	IS 5	IS 5	P	R	R
		2. Finish	B	Visual	Sample	IS 5	IS 5	P	R	R
	Name Plate	Stainless steel	A	Visual	100%					
		Resistance Screw or rivet	A	Visual	100%					
2	In Process Inspection									
2.1	Cubicle	1. Dimension	B	Physical	100%	IS 513	IS 513	P	R	R
		2. Mounting Facility	B	Visual	100%	As per Drawing	As per Drawing	P	R	R
		3.Cable Glanding Plate	B	Visual	100%	As per Drawing	As per Drawing	P	R	R
		4. Degreasing	C	Visual	100%	IS 6005	IS 6005	P	R	R
		5. Derusting	C	Visual	100%	IS 6005	IS 6005	P	R	R
		6. Deburring	C	Visual	100%	No Burrs	No Burrs	P	R	R
		7. Phosphatising	C	Physical	100%	IS 6005	IS 6005	P	R	R
		8. Passivation	C	Visual	100%	IS 6005	IS 6005	P	R	R



GAIL INDIA LIMITED
QUALITY ASSURANCE PLAN (QAP)
PANELS & DISTRIBUTION BOARDS



2.2	Busbaring	1. Material (Al/Cu)	B	Visual	100%	IS 5082	IS 5082	P	R	R
		2. Size (Thickness/Width)	B	Physical		IS 5082	IS 5082	P	R	R
		3. Busbar Tightening	B	Physical		As per specified Torque	As per specified Torque	P	R	R
		4. Phase to Phase Clearance	B	Physical		>25mm	>25mm	P	R	R
		5. Phase to Earth Clearance	B	Physical		>19mm	>19mm	P	R	R
		6. Spacer between parallel busbars	B	Visual		Equal to Busbar size	Equal to Busbar size	P	R	R
		7. Check for Burrs	B	Visual		No Burrs		P	R	R
		8. Finish Uniformity	B	Visual				P	R	R
2.3	Wiring	1. Size of wire	B	Physical	10%	IS 694 / IS 732	IS 694 / IS 732	P	R	R
		2. Colour of wire	B	Visual				P	R	R
		3. Ferruling	B	Visual	100%	As per Drawing	As per Drawing/Requirement	P	R	R
		4. Sleeve size	B	Visual				P	R	R
		5. Terminals	B	Visual				P	R	R
		6. Wiring Layout	B	Visual				P	R	R
		7. Accessibility	B	Visual				P	R	R
		8. Correctness of wiring	C	Electrical				P	R	R
2.4	Circuit checking	MCCB/MCB Closing and tripping mechanism	C	Electrical	100%	As per Drawing	As per Drawing/Requirement	P	R	R
		control circuit and interlock	C	Electrical				P	R	R
		heater, lamp and earth leakage relay	C	Electrical				P	R	R
		Meter and metering cricket	C	Electrical				P	R	R
		Remote close /trip	C	Electrical				P	R	R
		CT/PT Check	C	Electrical				P	R	R
		Indications	C	Electrical				P	R	R
2.5	Gasket	1. Fitment	B	Visual	100%	As per Drawing	As per Drawing/Requirement	P	R	R



GAIL INDIA LIMITED
QUALITY ASSURANCE PLAN (QAP)
PANELS & DISTRIBUTION BOARDS



3	Acceptance Test									
		1. Functional check	B	Electrical	100%	IS 9815 & Approved Drawings/Specs /IEC 60439	IS 9815 & Approved Drawings/Specs /Testing certificated /IEC 60439	P	W	W
		2. Bill of material	B	Visual				P	W	W
		3. H.V. Test	C	Electrical				P	W	W
		4. I.R. Test	C	Electrical				P	W	W
		5. Final Test	B	Electrical				P	W	W
		6. CT Ratio / Current	B	Electrical				P	W	W
		7. Dimensional , Layout & Visual Check	B	Visual			P	W	W	
		8. Paint shade & Thickness	C	Physical	Sample	IS 5	IS 5	P	W	W
		9. Meggar Test	B	Electrical	100%	IS 9815	IS 9815	P	W	W
		10. Interchangability of similar module	B	Electrical	100%	IS 9816	IS 9815 & Approved Drawings/Specs/Testing certificated	P	W	W
		11.Operation Of Equip.	B	Electrical	100%	IS 9817		P	W	W
		12.Fitting & finishing Of Equipments	B	Visual	100%	IS 9818		P	W	W
4	PACKING FOR DESPATCH	1.Standard Weather proof packing	A	Visual	100%		Approved Drawings/Specs	P	R	R
		2. Wooden packing (if required by client)	A	Visual	100%			P	R	R
		3. Each panel	A	Visual	100%			P	R	R
		4. Display of Top & Front	A	Visual	100%			P	R	R
		5. Documentation	A	Visual	100%			P	R	R
5	Inspection Release Note		A	Visual	100%	GAIL Specification		P	R	R
6	Commissioning at site	Commissioning as per client requirement	A		100%	GAIL Specification	GAIL Specification	P	W	W
	R: Review of Docs									
	A: Minor	NOTE: ALL TESTING AND MEASURING EQUIPMENTS/INSTRUMENTS SHALL HAVE VALID CALIBRATION WITH								
	B: Major	CALIBRATION CERTIFICATES & TRACEABILITIES.								
	C: Critical									
	W: Witness									
	TPI	Third Parti Inspection								



GAIL INDIA LIMITED



DOC. No: GAIL-STD-EL-DOC-QAP-003

**QUALITY ASSURANCE PLAN FOR
LIGHTINGPANEL**

SR NO	Component/ Operation	Characteristic	Class	Typeof Check	Quantumof check	Reference Document	Acceptance Norm	INSPECTION		Remarks
								Manu.	GAIL/TPI	
1	RAWMATERIAL&COMPONENT									
1.1	MS Steel Paints ElectricalWire	a) Wire/conductor b) Type c)Dimension d) Weight f) Make/TypeofMaterial	Major	Physical	100%	Approved Drgs	ReferenceDrgs	P	R	
2	InProcess									
2.1	Machining& Finishing of enclosure	a) Machining b) Blow holes c)Entryholes/ Threading d) Mountingholes e) Earthingholes	Major	Visual	100%	Approved Drgs	ReferenceDrgs	P	R	
2.2	Painting	a)Shade b) Colour c)Paint Type	Major	Visual	100%	Approved Drgs	ReferenceDrgs	P	R	

2.3	Assembly	a)BOM Verification	Major	Visual	100%	Approved Drgs	ReferenceDrgs	P	R/W	
2.4	Wiring	a) Continuity b) Megger	Major	Physical	100%	Approved Drgs	ReferenceDrgs	P	R/W	
3	FinalInspection									
		a)VisualInspection b)Operation/Function c) IRTTest d)Earthing	Critical	Physical and Electrical	Sample	As per approved Drgs	ReferenceDrgs	P	W	
4	DocumentReview									
4.1	Bought Out Component a)Wire b)MS Steel c)Paints		Major		Sample			P	R	
4.2	-	DegreeofProtection	Major		Sample			P	R	
4.3	IRN		Major		100%			P	R	
4.4	Packing and Dispatch		Major		100%			P	R	
5	Other point									
5.1	Dimension	Check & verify with Final G A drawing	Major		100%			P	R	
4.2	BOM	Check & v erify with approved BOM								
4.3	Function test	Checked for all 1.Opeining & closing of isolator, indicating lamps as pe n approved drawing.	Major		100%			P	R	
4.4	Packing and Dispatch	p	Major		100%			P	R	

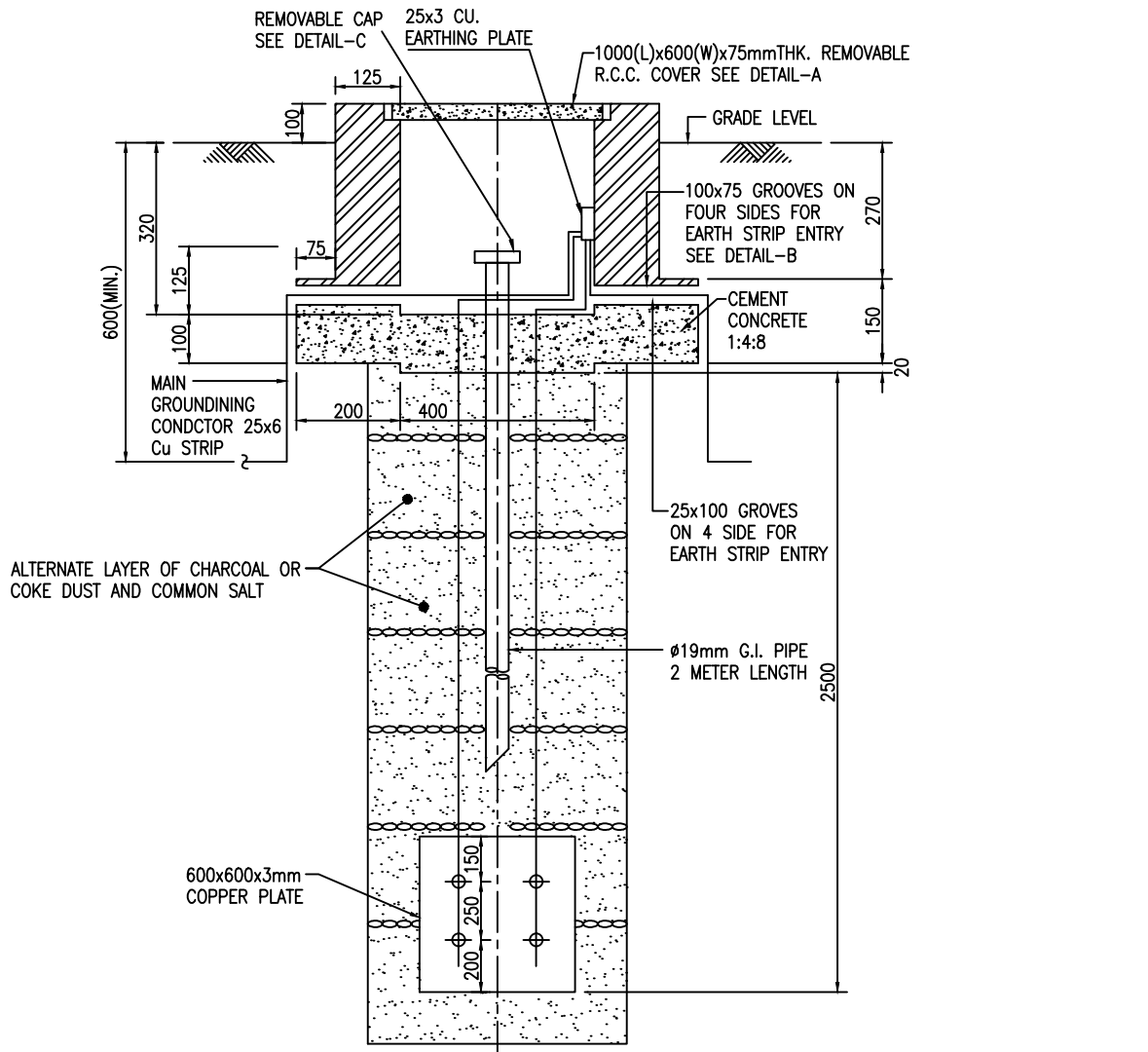
LEGEND:R: Review,W: WitnessP: Perform



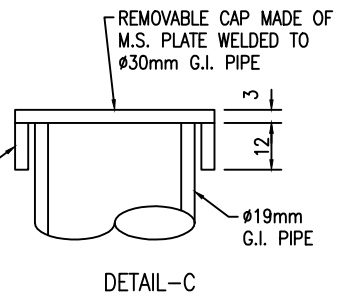
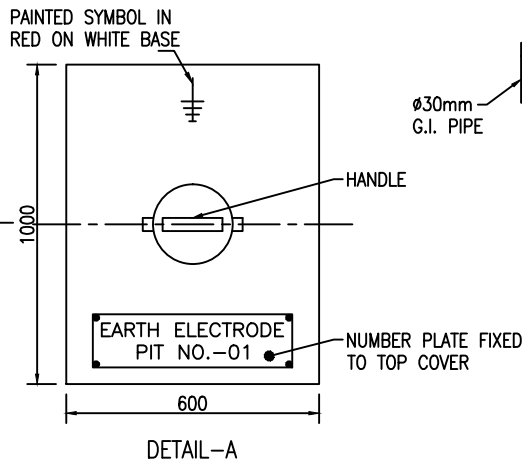
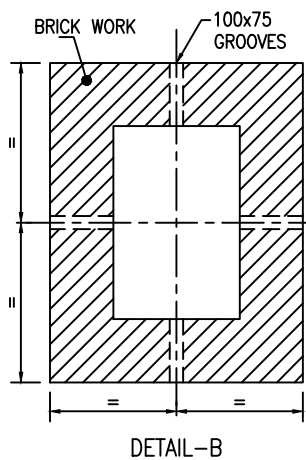
LYONS ENGINEERING PVT. LTD.
NEW DELHI

STANDARD Cu PLATE
ELECTRODE IN TEST PIT

DRAWING NO.
GAIL-STD-EL-DWG-TP-001
1 OF 1



Cu PLATE ELECTRODE WITH TREATED EARTH PIT



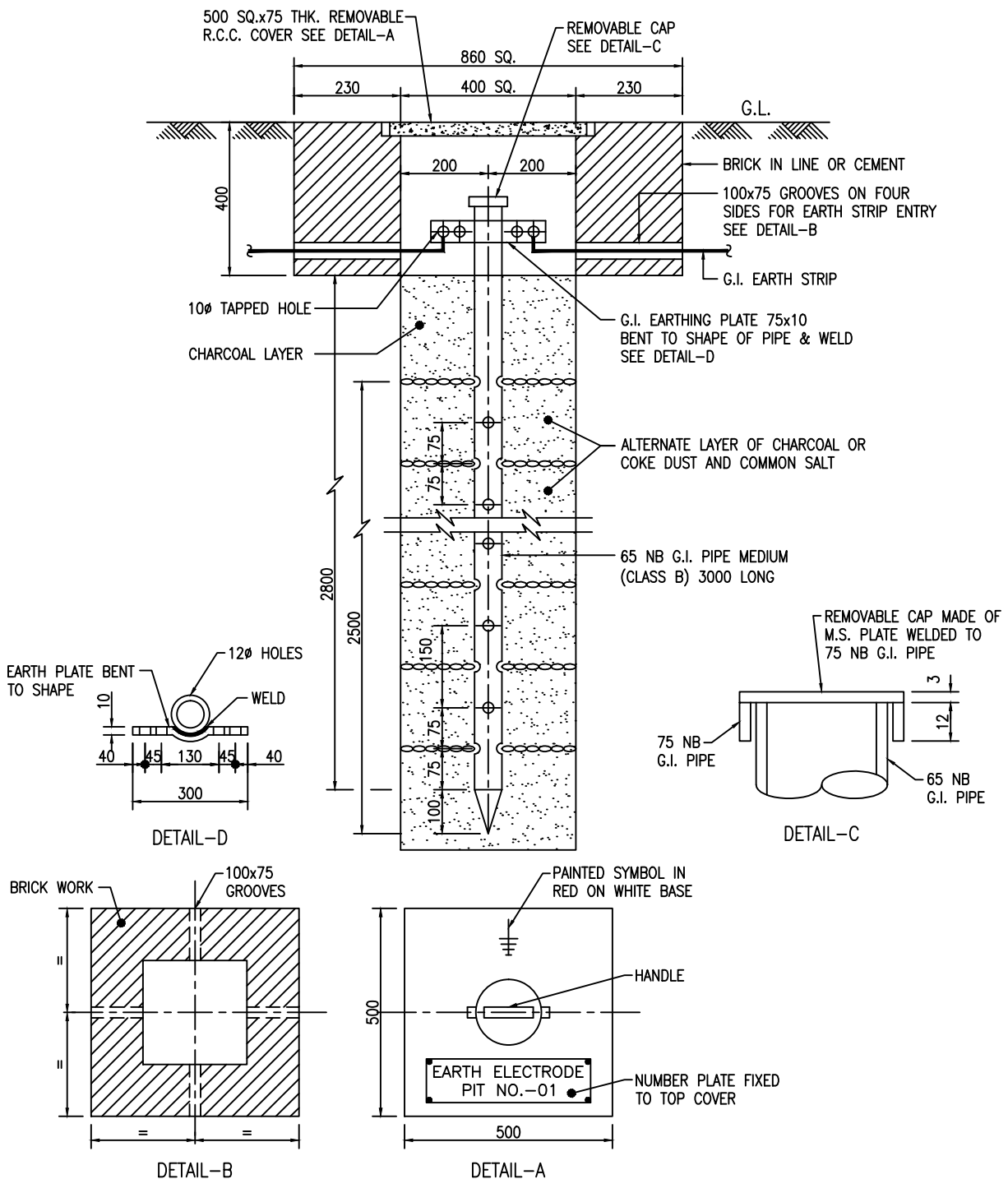
0	04.02.19	ISSUED FOR TENDER	D.V	U.N	S.B
REV.NO.	DATE	SUBJECT OF REVISION	BY	CHECKED	APPROVED



LYONS ENGINEERING PVT. LTD.
NEW DELHI

STANDARD G.I. PIPE
ELECTRODE IN TEST PIT

DRAWING NO.
GAIL-STD-EL-DWG-TP-002
1 OF 1



NOTES: -

- 1 THE PIPE ASSEMBLY SHALL BE HOT DIP GALVANISED AFTER FABRICATION.
- 2 BRICK WORK SHALL BE DONE AFTER COMPACTING THE SOIL.

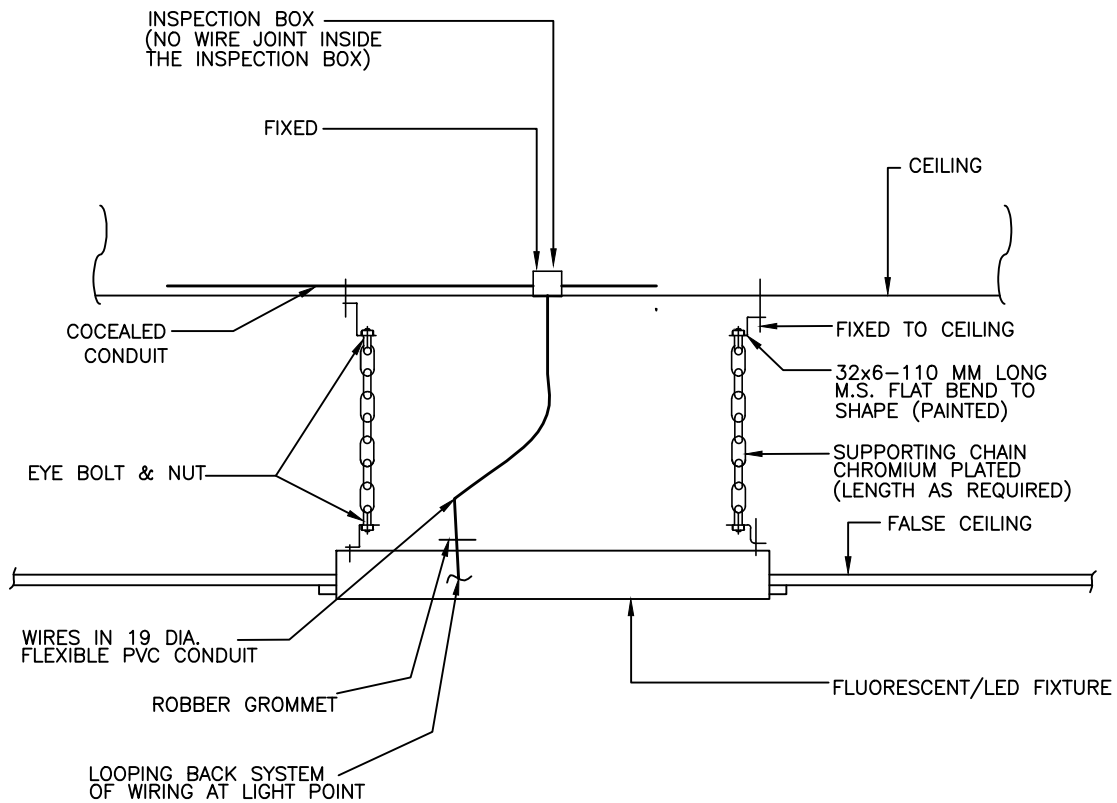
0	04.02.19	ISSUED FOR TENDER	D.V	U.N	S.B
REV.NO.	DATE	SUBJECT OF REVISION	BY	CHECKED	APPROVED



LYONS ENGINEERING PVT. LTD.
NEW DELHI

TYP. INSTALLATION OF
FLUORESCENT/
FIXTURE ON FALSE CEILING

DRAWING NO.
GAIL-STD-EL-DWG-TP-004
1 OF 1



NOTES:-

1. ALL DIMENSIONS ARE IN MM.

0	04.02.19	ISSUED FOR TENDER	D.V	U.N	S.B			
REV.NO.	DATE	SUBJECT OF REVISION	BY	CHECKED	APPROVED			



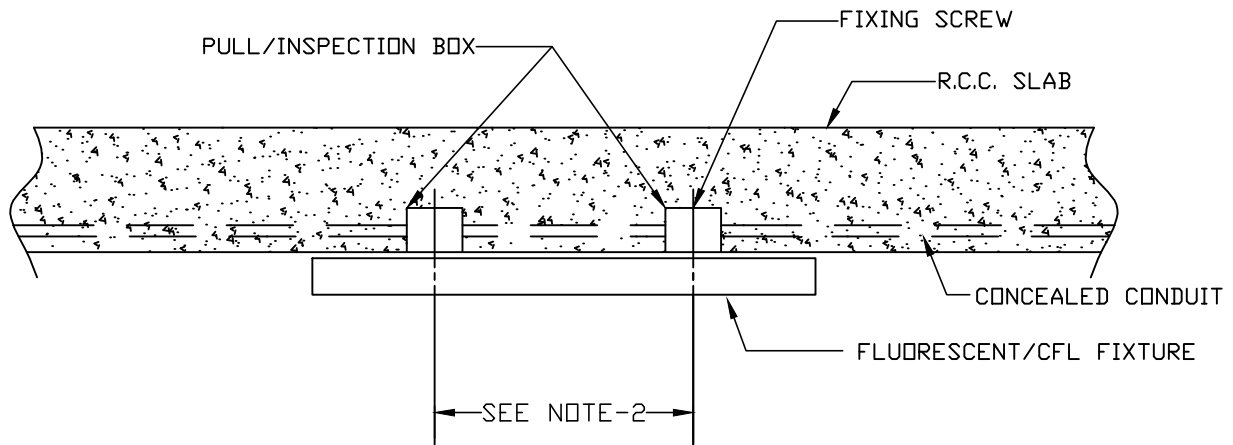
LYONS ENGINEERING PVT. LTD.
NEW DELHI

TYP. INSTALLATION OF
CEILING MOUNTING
FLOURESCENT/ CFL LIGHT FIXTURE

DRAWING NO.

GAIL-STD-EL-DWG-TP-005

1 OF 1



NOTE:-

1. ALL DIMENSIONS ARE IN MM.
2. FIXING CENTERS SHALL BE AS PER FIXTURE MANUFACTURER'S DETAILS.

0	04.02.19	ISSUED FOR TENDER	D.V		U.N		S.B	
REV.NO.	DATE	SUBJECT OF REVISION	BY	CHECKED	APPROVED			



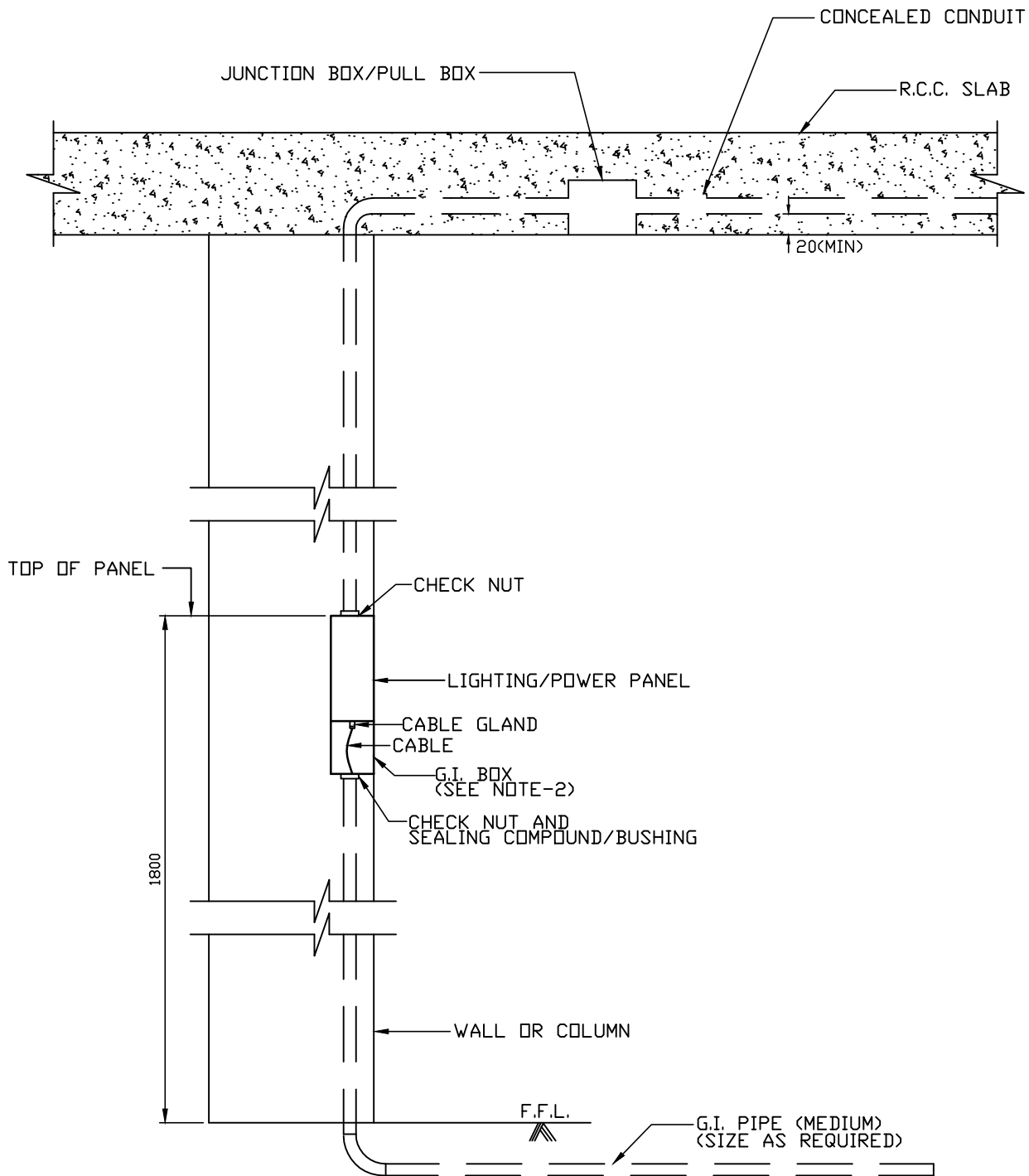
LYONS ENGINEERING PVT. LTD.
NEW DELHI

TYP. INSTALLATION OF
POWER/LIGHTING PANEL
FLUSH MOUNTED

DRAWING NO.

GAIL-STD-EL-DWG-TP-006

1 OF 1



1. ALL DIMENSIONS ARE IN MM.
2. G.I. ADAPTOR BOX OF SUITABLE SIZE WITH REMOVABLE COVER SHALL BE PROVIDED BELOW THE PANEL TO FACILITATE CABLE TERMINATION.

0	04.02.19	ISSUED FOR TENDER	D.V	U.N	S.B			
REV.NO.	DATE	SUBJECT OF REVISION	BY	CHECKED	APPROVED			



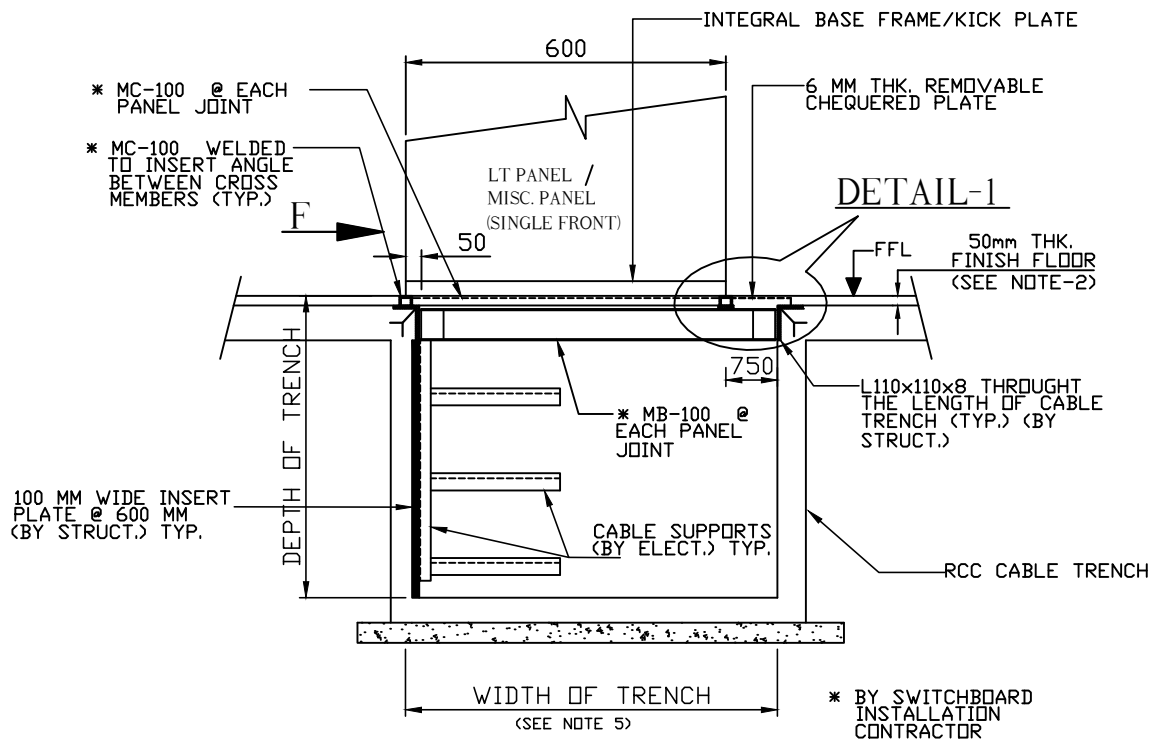
LYONS ENGINEERING PVT. LTD.
NEW DELHI

TYP. INSTALLATION OF
ELECTRICAL PANELS ON
CABLE TRENCH

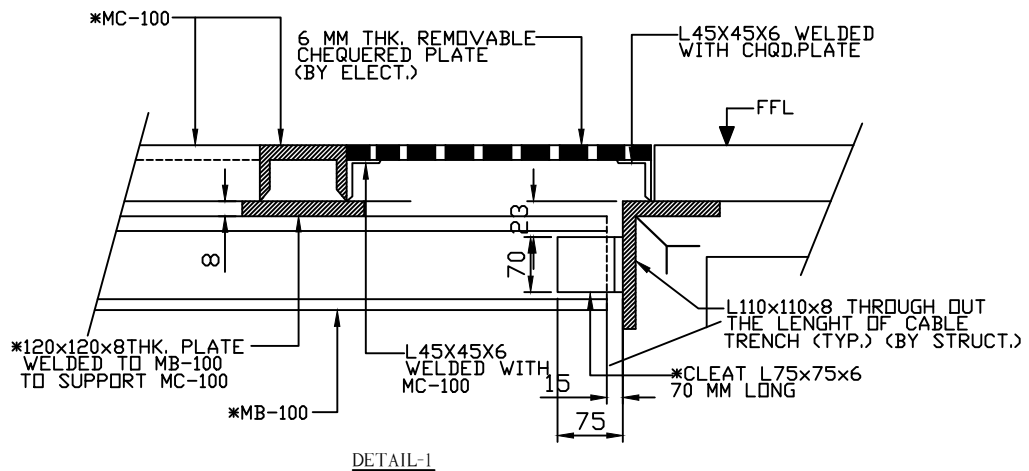
DRAWING NO.

GAIL-STD-EL-DWG-TP-007

1 OF 1



TYPICAL INSTALLATION DETAIL OF LT PANELS



1. FABRICATION, SUPPLY & INSTALLATION OF BASE FRAMES SHALL BE IN ELECT. CONTRACTOR'S SCOPE.
2. 50 THICK FFL SHALL BE DONE AFTER INSTALLATION OF BASE FRAMES BY ELECT. CONTRACTOR.
3. ALL PANELS SHALL BE TACK WELDED WITH BASE FRAME OF SWITCHBOARD.
4. UNUSED PORTION OF CUTOUTS SHALL BE COVERED WITH 6MM THICK CHEQUERED PLATES.
5. SIZE OF TRENCH TO SUIT THE DIMENSION OF PANELS SHALL BE AS PER AFC DRG. OF THE PROJECT.

0	04.02.19	ISSUED FOR TENDER	D.V	U.N	S.B		
REV.NO.	DATE	SUBJECT OF REVISION	BY	CHECKED	APPROVED		



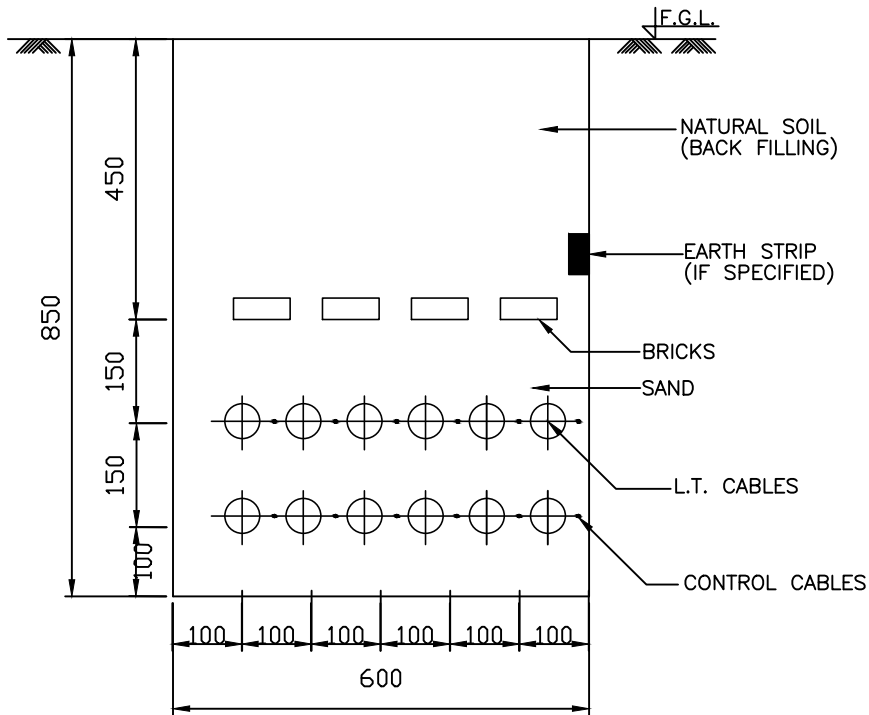
LYONS ENGINEERING PVT. LTD.
NEW DELHI

TYP. INSTALLATION OF
DIRECTLY BURRIED
CABLE

DRAWING NO.

GAIL-STD-EL-DWG-TP-008

1 OF 1



TYP. SECTION OF DIRECTLY BURRIED CABLE TRENCH

NOTES:—

1. ALL DIMENSIONS ARE IN MM.
2. PROVIDE SPACE FOR FUTURE SPARE SPACE OF AT LEAST 2 CABLES OR 15% AVERAGE SPARE SPACE FOR FUTURE EXPANSION.
3. IF FIRE ALARM AND COMMUNICATION CABLES ARE LAID IN THE SAME TRENCH A CLEARANCE OF 300 MM (MIN.) FROM POWER CABLE SHALL BE PROVIDED.

0	04.02.19	ISSUED FOR TENDER	D.V	U.N	S.B			
REV.NO.	DATE	SUBJECT OF REVISION	BY	CHECKED	APPROVED			



LYONS ENGINEERING PVT. LTD.
NEW DELHI

TYP. INSTALLATION OF
LIGHT FIXTURE AT
GROUND LEVEL

DRAWING NO.

GAIL-STD-EL-DWG-TP-009

1 OF 1

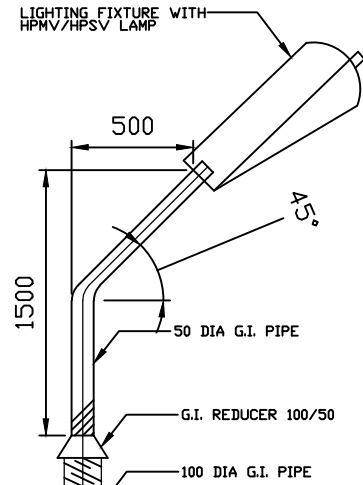
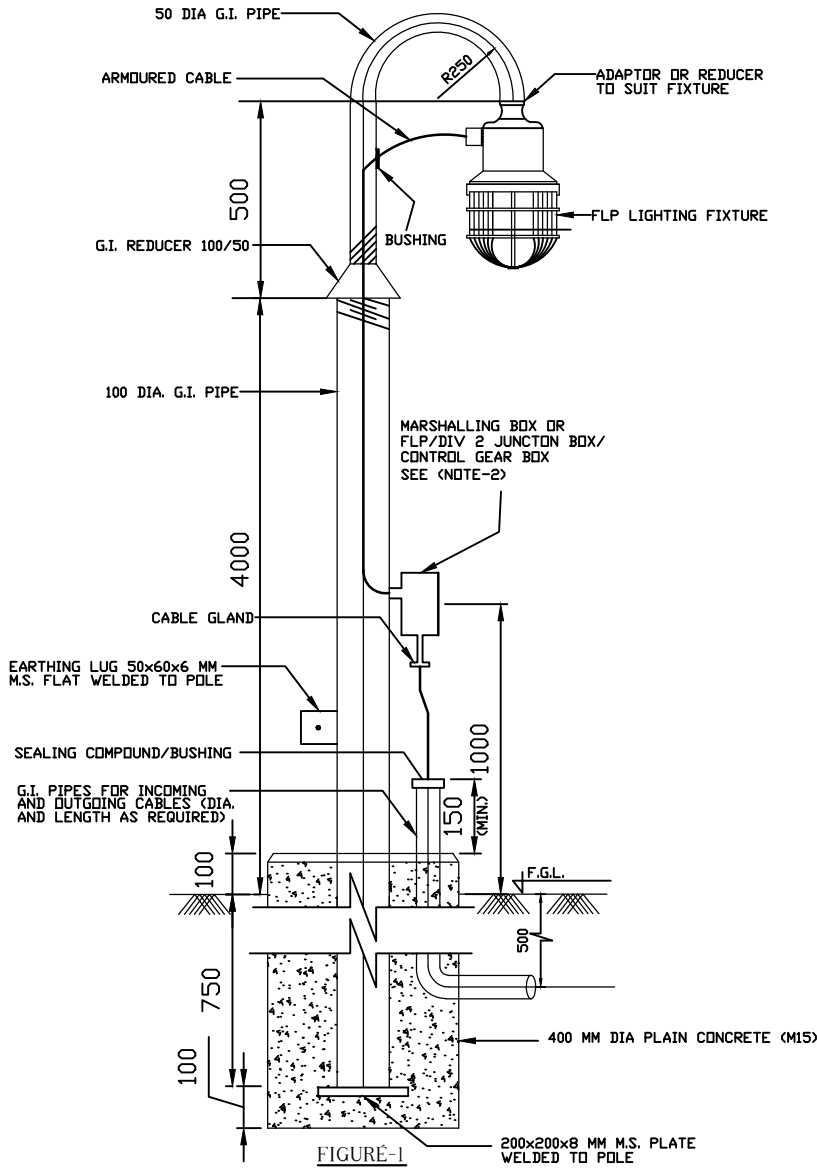


FIGURE-2

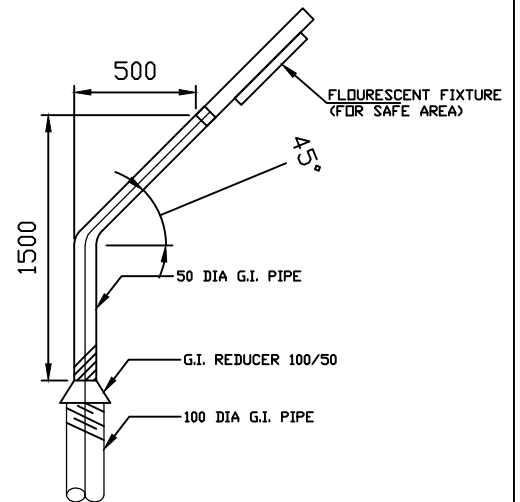


FIGURE-3

NOTES-

1. ALL DIMENSIONS ARE IN MM.
2. MARSHALLING BOX, JUNCTION BOX AND G.I. PIPES FOR CABLES SHALL BE LOCATED FACING CABLE TRENCH SIDE.
3. ALL G.I. PIPES SHALL BE MEDIUM GRADE.

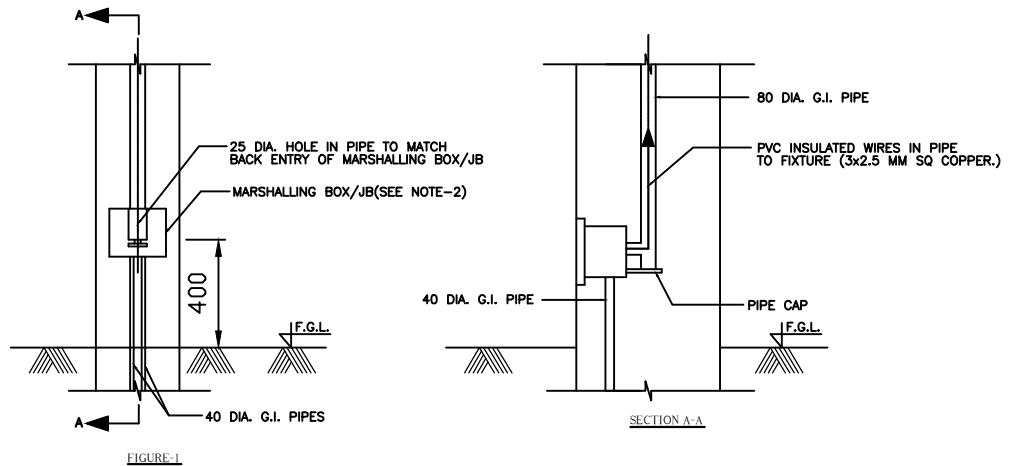
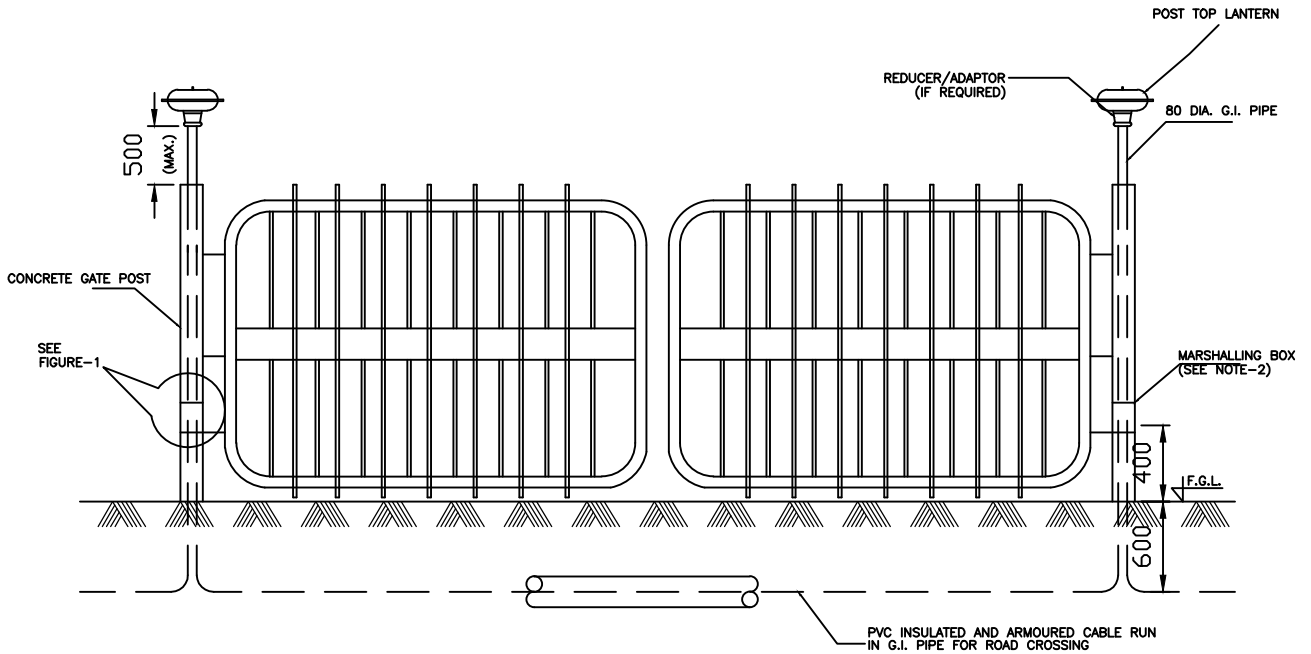
0	04.02.19	ISSUED FOR TENDER	D.V	U.N	S.B
REV.NO.	DATE	SUBJECT OF REVISION	BY	CHECKED	APPROVED



LYONS ENGINEERING PVT. LTD.
NEW DELHI

TYP. INSTALLATION OF
POST TOP LANTERN
ON GATE

DRAWING NO.
GAIL-STD-EL-DWG-TP-010
1 OF 1



NOTES-

1. ALL DIMENSIONS ARE IN MM.
2. USE WEATHER PROOF SINGLE PHASE JUNCTION BOX IN PLACE OF MARSHALLING BOX IF SUPPLY IS SINGLE PHASE.
3. ALL G.I. PIPES SHALL BE MEDIUM GRADE.

0	04.02.19	ISSUED FOR TENDER	D.V	U.N	S.B
REV.NO.	DATE	SUBJECT OF REVISION	BY	CHECKED	APPROVED



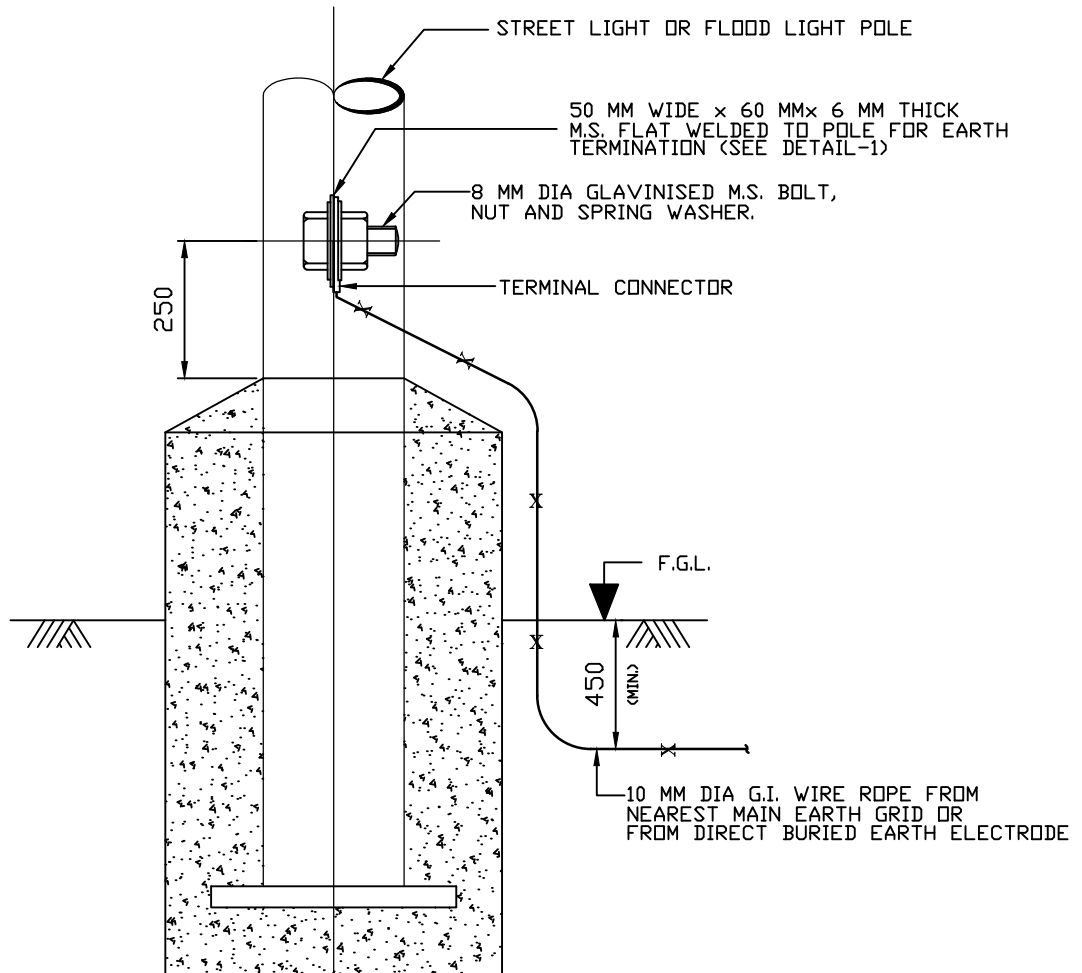
LYONS ENGINEERING PVT. LTD.
NEW DELHI

TYP. EARTHING
CONNECTION FOR
LIGHTING POLE

DRAWING NO.

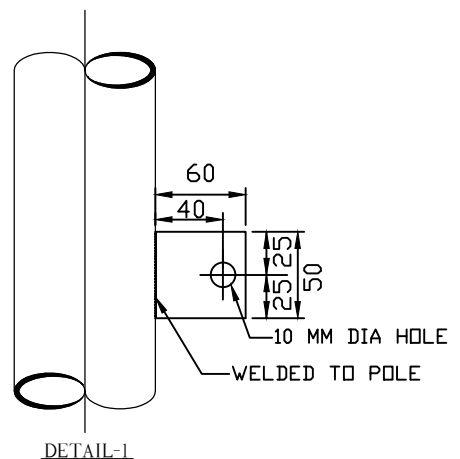
GAIL-STD-EL-DWG-TP-011

1 OF 1



NOTE-

- USE TWO WIRE ROPES IF POLE JUNCTION BOX VOLTAGE IS 415V.



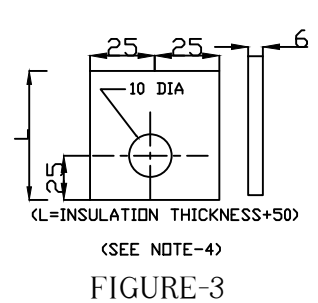
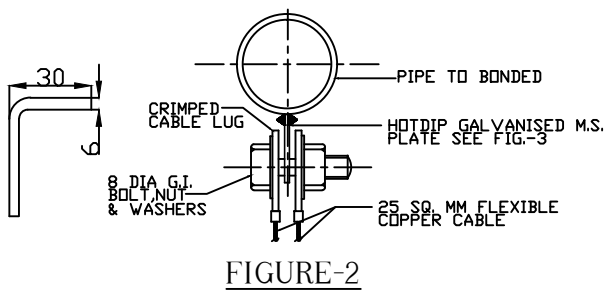
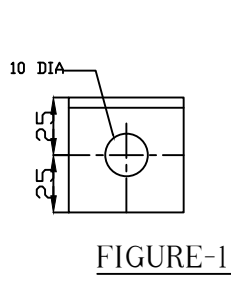
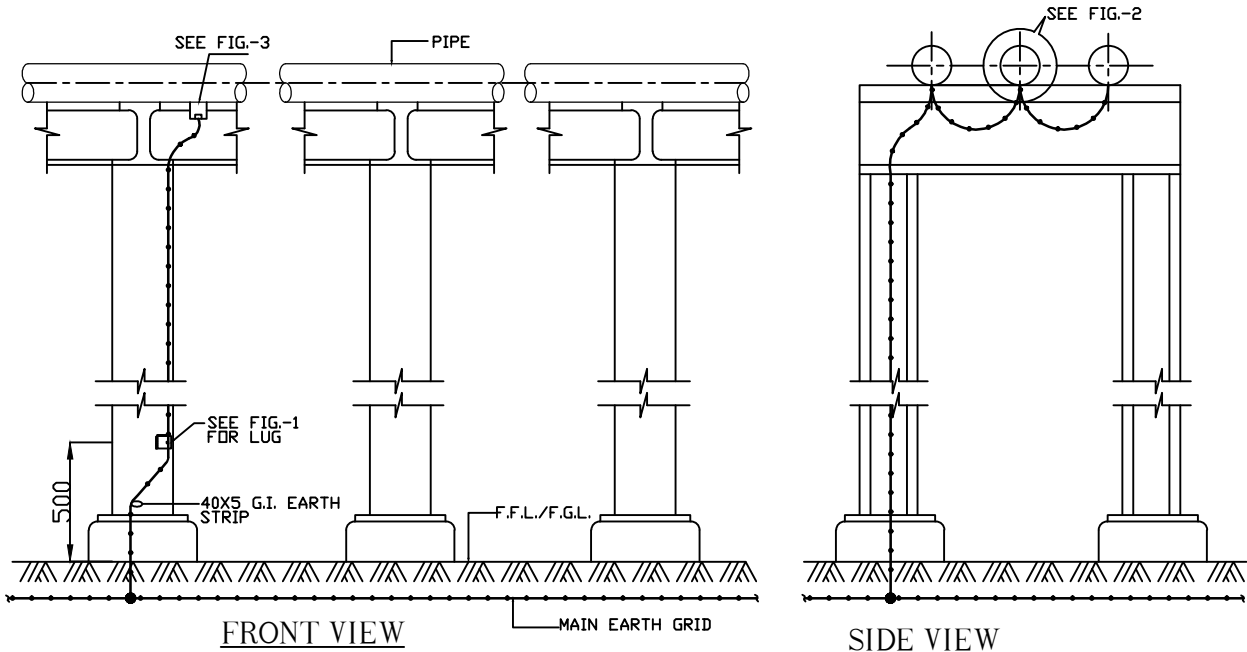
0	04.02.19	ISSUED FOR TENDER	D.V	U.N	S.B		
REV.NO.	DATE	SUBJECT OF REVISION	BY	CHECKED	APPROVED		



LYONS ENGINEERING PVT. LTD.
NEW DELHI

TYP. EARTHING/ BONDING
OF
PIPES & PIPE RACKS

DRAWING NO.
GAIL-STD-EL-DWG-TP-012
1 OF 2



NOTES:-

1. UNLESS OTHERWISE MENTIONED, THE PIPELINE SHALL BE BONDED & EARTHED ONLY AT THE ENTRY & EXIT POINTS OF BATTERY LIMIT.
2. SUPPLY OF FLEXIBLE Cu CABLE, LUGS, BOLTS, NUTS & WASHERS ETC. & MAKING CONNECTIONS SHALL BE DONE BY ELECTRICAL CONTRACTOR.
3. STEEL PIPE RACKS IN THE PROCESS AREA & OFFSITE AREA SHALL BE EARTHED AT MAX. SPACING OF 24 MTRS.
4. HOT DIP G.I. STRIP AS PER FIG.-3 SHALL BE PROVIDED BY THE PIPING CONTRACTOR BEFORE HYDROTESTING OF LINES.

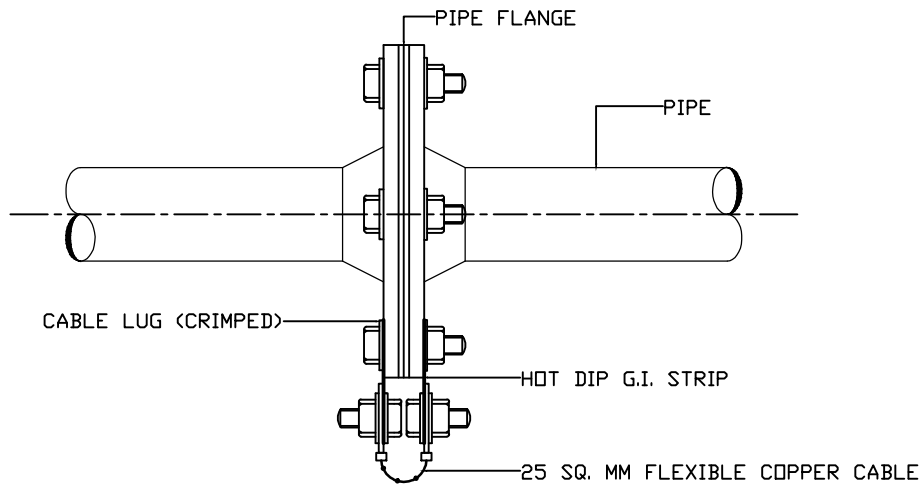
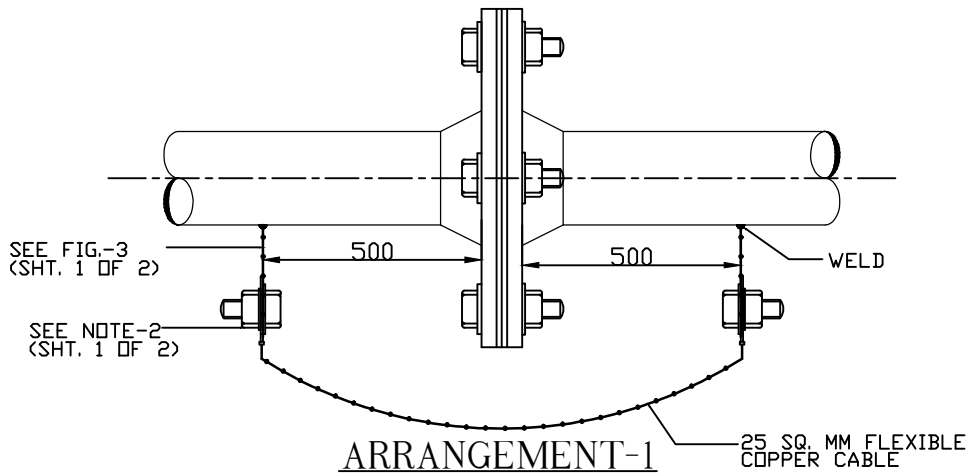
0	04.02.19	ISSUED FOR TENDER	D.V	U.N	S.B
REV.NO.	DATE	SUBJECT OF REVISION	BY	CHECKED	APPROVED



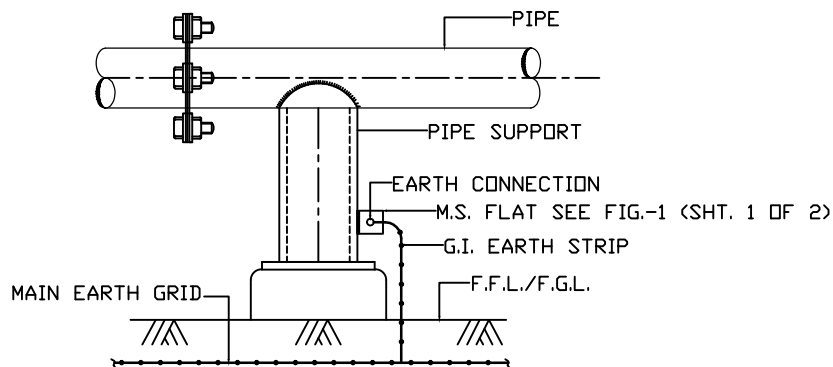
LYONS ENGINEERING PVT. LTD.
NEW DELHI

TYP. EARTHING/ BONDING
OF
PIPES & PIPE RACKS

DRAWING NO.
GAIL-STD-EL-DWG-TP-012
2 OF 2



(APPLICABLE WHERE G.I. STRIP ARE NOT AVAILABLE AS PER ARRANGEMENT-1)



(APPLICABLE WHEREVER PIPE SUPPORTS ARE ON BOTH SIDES OF FLANGES / VALVES ETC.)

0	04.02.19	ISSUED FOR TENDER	D.V	U.N	S.B		
REV.NO.	DATE	SUBJECT OF REVISION	BY	CHECKED	APPROVED		



LYONS ENGINEERING PVT. LTD.
NEW DELHI

TYP. EARTHING OF
GATE & FENCE

DRAWING NO.

GAIL-STD-EL-DWG-TP-013

1 OF 1

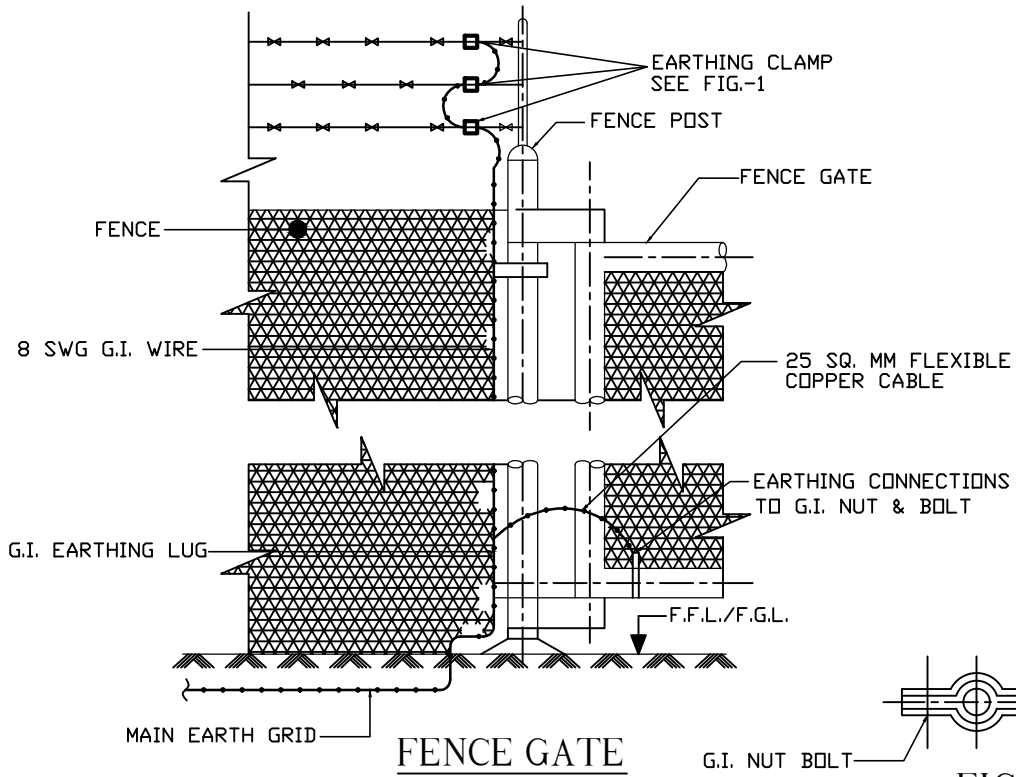


FIGURE-1

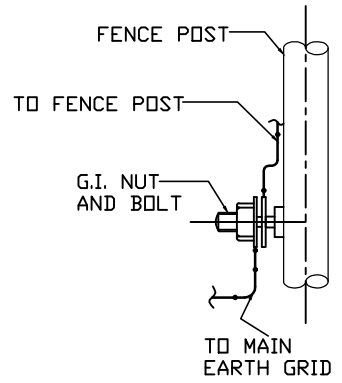
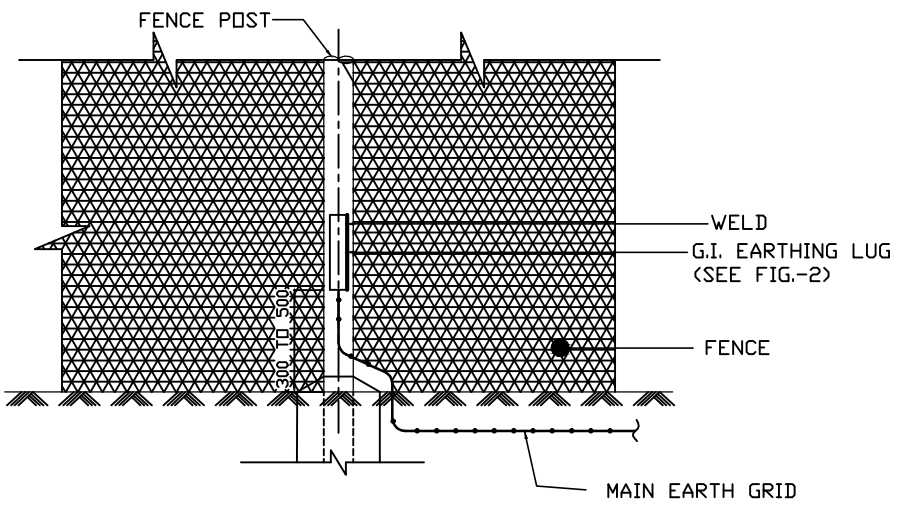


FIGURE-2

0	04.02.19	ISSUED FOR TENDER	D.V	U.N	S.B
REV.NO.	DATE	SUBJECT OF REVISION	BY	CHECKED	APPROVED



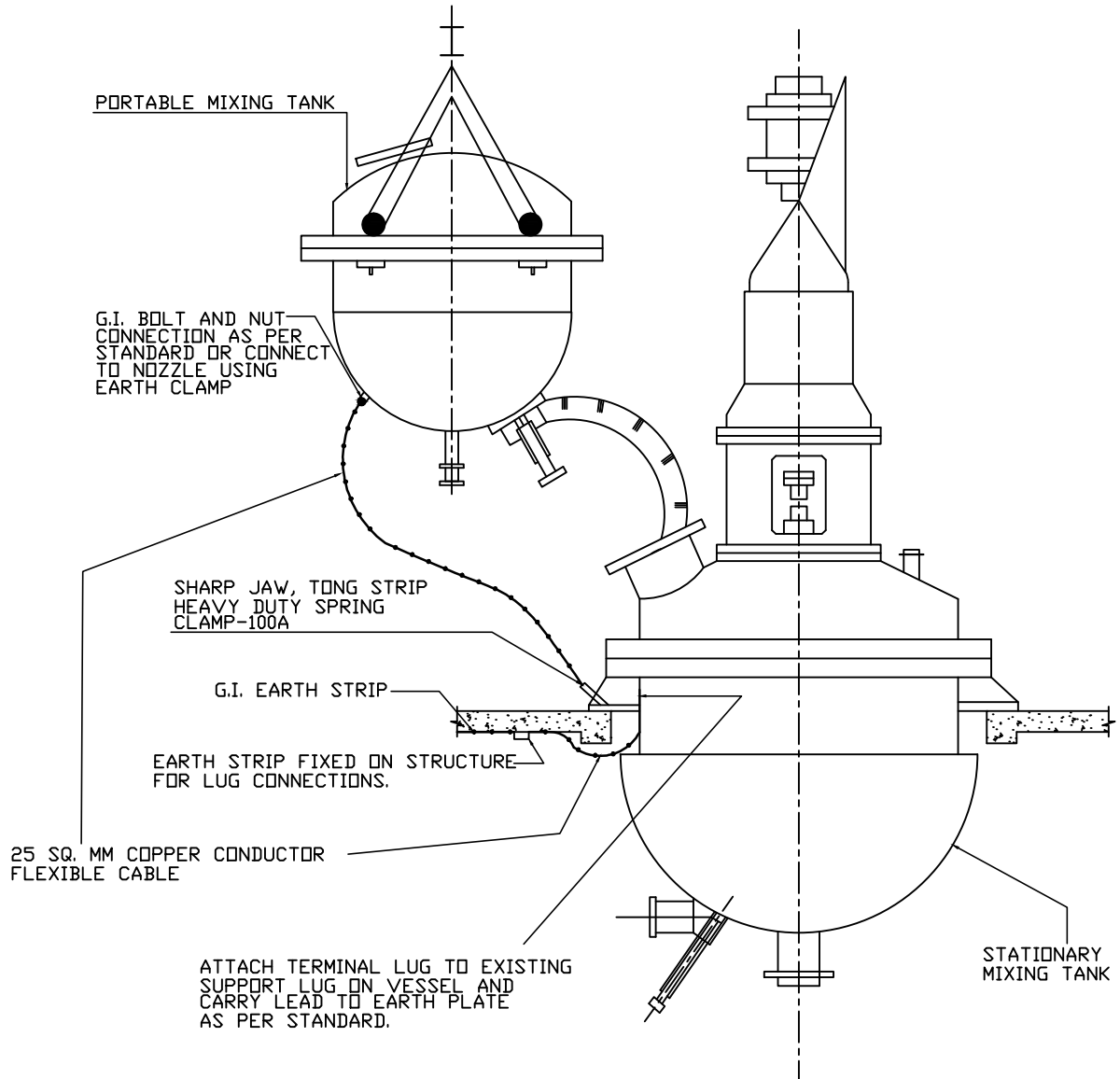
LYONS ENGINEERING PVT. LTD.
NEW DELHI

TYP. EARTHING FOR
PROCESSING EQUIPMENT

DRAWING NO.

GAIL-STD-EL-DWG-TP-014

1 OF 1



NOTES:-

1. ALL PROCESSING EQUIPMENT SUCH AS MIXTURES, CHURNS, AUTOCLAVES, COLUMNS, CENTRIFUGES, FILTERS, PRESS PUMPS ETC. SHALL BE EARTHED, IF THESE ARE NOT IN DIRECT CONTACT WITH PROPERLY EARTH STEEL MEMBERS.
2. ALL TEMPORARY EARTH CONNECTIONS SHALL BE MADE BEFORE OPENING THE VESSEL.

0	04.02.19	ISSUED FOR TENDER	D.V	U.N	S.B		
REV.NO.	DATE	SUBJECT OF REVISION	BY	CHECKED	APPROVED		



GAIL INDIA LIMITED

**CONSTRUCTION OF STEEL PIPELINE AND ASSOCIATED FACILITIES
FOR CGD CONNECTIVITIES**

VOLUME II OF II (TECHNICAL) – H



INSTRUMENTATION



E-TENDER REF : 8000017675

(BID DOCUMENT NO - 034/LEPL/GAIL/27-R0)



Lyons Engineering Pvt. Ltd.

	DCI - MASTER DELIVERABLE CONTROL INDEX FOR CONSTRUCTION OF STEEL PIPELINE AND ASSOCIATED FACILITIES FOR CGD FOR M/S BPCL SAHARANPUR, CGD TO M/S THINK GAS MACCHHWARA(LUDHIANA), CGD TO M/S BPCL YAMUNANAGAR, & CGD TO M/S IGL FATEHPUR	Doc No.	
		GAIL-ENG-GN-DOC-DL-001	
		Rev. 0	
Sr. No.	Description	Document / Drawing No.	Rev. No.
TECHNICAL VOLUME - II OF II			
H	INSTRUMENTATION		
1	Instrumentation Design Basis	GAIL-STD-IN-DOC-DB-001	0
STANDARD SPECIFICATION FOR INSTRUMENTS			
2	Standard specification for Pressure Gauges.	GAIL-STD-IN-DOC-TS-001	0
3	Standard specification for Pressure Safety Valves.	GAIL-STD-IN-DOC-TS-002	0
4	Standard specifications for Electronic Transmitters	GAIL-STD-IN-DOC-TS-003	0
5	Standard specification for RTDs and thermowell	GAIL-STD-IN-DOC-TS-004	0
6	Standard specifications for Instrument cables.	GAIL-STD-IN-DOC-TS-005	0
7	Standard specifications for Junction Boxes and cable Glands.	GAIL-STD-IN-DOC-TS-006	0
8	Standard specifications for instrument tube fittings	GAIL-STD-IN-DOC-TS-007	0
9	Standard specifications for instrument tubing	GAIL-STD-IN-DOC-TS-008	0
10	Standard Specification for Instrument Valve & Manifold	GAIL-STD-IN-DOC-TS-009	0
11	Standard specifications for Fire & Gas Detection System	GAIL-STD-IN-DOC-TS-011	0
12	Standard specifications for control Panels	GAIL-STD-IN-DOC-TS-012	0
13	Standard specifications for Pig Signalers	GAIL-STD-IN-DOC-TS-013	0
DATASHEET FOR INSTRUMENT			
14	Datasheet for Pressure Transmitter	GAIL-STD-IN-DOC-DS-001	0
15	Datasheet for Temperature Transmitter	GAIL-STD-IN-DOC-DS-002	0
16	Datasheet for Temperature Element (RTD) with Thermowell	GAIL-STD-IN-DOC-DS-003	0
17	Datasheet for Gas Detector	GAIL-STD-IN-DOC-DS-004	0
18	Datasheet for Pressure Gauges	GAIL-STD-IN-DOC-DS-005	0
19	Datasheet for Temperature Gauges	GAIL-STD-IN-DOC-DS-006	0
20	Datasheet for Pressure Safety Valve	GAIL-STD-IN-DOC-DS-007	0
21	Datasheet for Scrapper/Pig Signaller/detector- Intrusive Type	GAIL-STD-IN-DOC-DS-008	0
22	Datasheet for GOOV	GAIL-STD-IN-DOC-DS-009	0
QAP FOR INSTRUMENT			
23	QAP for Temperature Transmitters	GAIL-STD-IN-DOC-QAP-001	0

	DCI - MASTER DELIVERABLE CONTROL INDEX FOR CONSTRUCTION OF STEEL PIPELINE AND ASSOCIATED FACILITIES FOR CGD FOR M/S BPCL SAHARANPUR, CGD TO M/S THINK GAS MACCHHAWARA(LUDHIANA), CGD TO M/S BPCL YAMUNANAGAR, & CGD TO M/S IGL FATEHPUR	Doc No.		
		GAIL-ENG-GN-DOC-DL-001		
		Rev. 0		
Sr. No.	Description	Document / Drawing No.	Rev. No.	
24	QAP for RTDs and Thermowells	GAIL-STD-IN-DOC-QAP-002	0	
25	QAP for Pressure Transmitters	GAIL-STD-IN-DOC-QAP-003	0	
26	QAP for Pressure Gauges	GAIL-STD-IN-DOC-QAP-004	0	
27	QAP for Temperature Gauges	GAIL-STD-IN-DOC-QAP-005	0	
28	QAP for Instrument Cables	GAIL-STD-IN-DOC-QAP-006	0	
29	QAP for Pressure Safety Valves	GAIL-STD-IN-DOC-QAP-007	0	
30	QAP for Pig Signaller	GAIL-STD-IN-DOC-QAP-008	0	
31	QAP for GAS detector	GAIL-STD-IN-DOC-QAP-009	0	
32	QAP for Gas over Oil Actuators	GAIL-STD-IN-DOC-QAP-010	0	
STANDARD TYPICAL DRAWING				
33	Instrument Connection on Vessels, Standpipes and Tanks	STD-ENG-IN-DWG-TP-001	0	
34	Drain for Single Line	STD-ENG-IN-DWG-TP-002	0	
35	Pressure Instrument Installation Scope of Work	STD-ENG-IN-DWG-TP-003	0	
36	Flow Meter Installation Scope of Work	STD-ENG-IN-DWG-TP-004	0	
37	Thermowell Installation Scope of Work	STD-ENG-IN-DWG-TP-005	0	
38	Instrument Connection on Vessel, Standpipes and Tanks	STD-ENG-IN-DWG-TP-006	0	
39	Meter Runs – Piping Connections D – D/2 Taps	STD-ENG-IN-DWG-TP-007	0	
40	Meter Runs – Piping Connections Pipe (2 ½ D – 8d) Taps	STD-ENG-IN-DWG-TP-008	0	
41	Thermowell	STD-ENG-IN-DWG-TP-009	0	
42	Thermocouple / RTD Assembly With Thermowell	STD-ENG-IN-DWG-TP-010	0	
43	Symbol for Instrument Location Drawings	STD-ENG-IN-DWG-TP-011	0	
44	Instrument Support Single Instrument	STD-ENG-IN-DWG-TP-012	0	
45	Instrument Support Two Instruments	STD-ENG-IN-DWG-TP-013	0	
46	Support Details for Junction Boxes	STD-ENG-IN-DWG-TP-014	0	
47	Fabricated Canopy for Instruments	STD-ENG-IN-DWG-TP-015	0	
48	Perforated Tray Supports and Cables Clamping Details	STD-ENG-IN-DWG-TP-016	0	
49	Pressure Gauge Liquid / Gas Service	STD-ENG-IN-DWG-TP-017	0	
50	Purge for Instrument Single Line	STD-ENG-IN-DWG-TP-018	0	
51	Purge for Instrument Double Line	STD-ENG-IN-DWG-TP-019	0	



GAIL INDIA LIMITED

INSTRUMENTATION DESIGN BASIS

GAIL-STD-IN-DOC-DB-001

0	01.12.2020	Issued for Bid	RKS	SR	TR
Rev	Date	Purpose	Prepared By	Checked By	Approved By



TABLE OF CONTENTS

1.0	Introduction-----	03
2.0	Applicable Codes, Standards, Abbreviations and Definitions-----	03
3.0	General Design Criteria-----	09
4.0	Type of Instrument Protection-----	12
5.0	Certification Requirements-----	12
6.0	Units of Measurements-----	12
7.0	Utility Requirements-----	13
8.0	Process and Electrical Connections-----	14
9.0	Material Selection Philosophy-----	14
10.0	Instrumentation-----	15
10.1	Pressure Instruments-----	15
10.2	Temperature Instruments-----	17
11.0	Gas Over Oil Actuators (GOOV)-----	18
12.0	Control Panel-----	19
13.0	Pressure Safety Valve (PSV)-----	20
14.0	Control Panel-----	20
15.0	Gas Detection System (GDS)-----	21
16.0	Fire Alarm Control Panel (FACP)-----	23
17.0	Instrument Cabling and Wiring-----	23
18.0	Junction Box-----	23
19.0	Others-----	24
20.0	General-----	24
21.0	Technical Design Documents-----	24
	ANNEXURE – 1-----	26
	ANNEXURE - 2-----	28

	INSTRUMENTATION DESIGN BASIS	Document No.	Rev
		GAIL-ENG-IN-DOC-DB-001	0
		SHEET 2 of 30	

1.0 INTRODUCTION

GAIL (India) Limited, the largest state-owned natural gas processing and distribution company and the youngest Maharatna company. GAIL is the nodal agency for transportation and supply of Natural Gas to various potential customers. The receipt of gas from the sources and its transportation and distribution is intended to be by means of a high-pressure trunk transmission gas grid from the gas receiving point to various customer stations.

- a) In order to supply gas to BPCL-Saharanpur, GAIL is laying 4" NB Piping to connect BPCL Saharanpur inside plot / Receiving Terminal(Metering skid is coming inside the GAIL terminal) (as per indicative plot plan / P&ID and Schematic attached elsewhere). Work shall include all the interconnecting piping, civil, electrical, instrumentation works at Customer End and Hook-up.
- b) In order to supply gas to BPCL Yamunanagar, BPCL is laying 8" NB Pipeline to connect BPCL Yamunanagar inside plot / Receiving Terminal (as per indicative plot plan / P&ID and Schematic attached elsewhere). Work shall include the balance work for interconnecting piping, civil, electrical, instrumentation works at Customer End and Hook-up.
- c) In order to supply gas to IGL-Fatehpur and Hamirpur, GAIL is laying 4" NB Piping to connect IGL-Fatehpur and Hamirpur inside plot / Receiving Terminal(Metering skid is coming inside the GAIL terminal) (as per indicative plot plan / P&ID and Schematic attached elsewhere). Work shall include all the interconnecting piping, civil, electrical, instrumentation works at Customer End and Hook-up.
- d) In order to supply gas to Think Gas Macchiwara (Ludhiana), GAIL is laying 4" NB Pipeline to connect Think Gas Macchiwara (Ludhiana) inside plot / Receiving Terminal (as per indicative plot plan / P&ID and Schematic attached elsewhere). Work shall include all the interconnecting piping, civil, electrical, instrumentation works at Customer End and Hook-up.

■ SITE PARAMETERS FOR DESIGN:

The system shall be designed to conform following design conditions:

- Ambient Temperature - Maximum 60°C & Minimum -20°C
- Relative Humidity - 100%
- Altitude Above Sea Level - Less ≤ 1,000M
- Atmospheric Pollution - Tropicalized to withstand the site Conditions, dust, vapour etc.
- Hazardous Area Classification - Zone1 & 2, Gas Gr.IIA & IIB; Temperature Class T3
- Battery, TRU room - Safe Area

For Proposed pipeline system, please refer Pipeline Schematic Diagram.

2.0 APPLICABLE CODES , STANDARDS, ABBREVIATIONS AND DEFINITIONS

2.1 Precedence of Codes, Standards and Specifications

It is the main responsibility of EPC CONTRACTOR to inform the COMPANY of any deviations from or exceptions to the listed specifications, codes, and standards. COMPANY will take non-listing or

	INSTRUMENTATION DESIGN BASIS	Document No.	Rev.
		GAIL-STD-IN-DOC-DB-0011	0
		SHEET 3 of 28	

non-specification of exception or deviation by EPC CONTRACTOR in the bid proposal document, as being in full compliance with the specifications, codes, and standards listed. If there is a conflict between the various codes, standards, specifications and the attached drawings, the most stringent requirement shall be govern. EPC CONTRACTOR shall seek COMPANY'S final interpretation of any conflicts prior to the execution of work. Rework of engineering and relevant scope arising out of underestimation shall be done at no additional cost to the COMPANY.

As a minimum, all equipment shall be designed, manufactured, and delivered in accordance with the relevant section of the national/international Codes, Standards, and Regulations as listed below. The latest editions of Codes, Standards including all addenda, supplements, or revisions current at time of order placement, as issued by the following authorities shall apply:

- British Standard Institution (BS)
- International Electrotechnical Commission (IEC)
- The Institute of Petroleum (IP)
- Institute of Electrical Engineers (IEE)
- IP Codes of Practice
- American Petroleum Institute (API)
- Instrument Society of America (ISA)
- Oil Industry Safety Directorate (OISD)
- National Fire Protection Association (NFPA)
- Petroleum & Natural Gas Regulation Board (PNGRB)

2.2 International Codes and Standards

The design shall in general comply with the applicable sections of the latest editions of the applicable engineering codes and standards listed below:

Document Number	Document Title
AGA 3	Orifice Metering of Natural Gas
AGA 7	Measuring of Gas by Turbine Meter
AGA 8	Compressibility and Super-compressibility for Natural Gas
AGA 9	Measuring of Gas by Multipath Ultrasonic Meter
AGA ANSI B109.3	Rotary Type Gas Displacement Meter
ANSI / ASME PTC 19.3	ASME Performance Test Codes Supplement on Instruments and Apparatus Part 3 – Temperature Measurement
ANSI MC 96.1	Temperature Measurement Thermocouple

	INSTRUMENTATION DESIGN BASIS	Document No.	Rev.
		GAIL-STD-IN-DOC-DB-0011	0
		SHEET 4 of 28	

ANSI/ISA-75.05.01-2000 (R2005)	Control Valve Terminology
ANSI / FCI 70.2	Control Valve Seat Leakage
ANSI / ISA 75.01	Flow Equations for Sizing Control Valves
ANSI / ISA 5.1	Instrumentation Symbols and Identification
ANSI B 16.5	Pipe Flanges and Flanged Fittings
ANSI B16.10	Face to face dimensions and End to End Dimensions of valves
API 14 C	Analysis, Design, Installation, and Testing of Basic Surface Safety Systems for Offshore Production Platforms
API 607	Fire Test for Soft Seat Quarter Turn Valves
API 6D	Pipeline Valves
API 6FA	Specification for Fire Test for valves
API MPMS	Sizing, Selection and Installation of Pressure-Relieving Devices
API RP 500	Recommended Practices for Classification of location for electrical installations at petroleum facilities as class 1, DIV 1&2
API RP 520, Part I	Sizing, Selection of Pressure Relieving Devices in Refineries, Installation
API RP 520, Part II	Installation of Pressure Relieving Devices In Refineries, Installation
API RP 521	Pressure-Relieving and De-Pressuring Systems
API RP 526	Flanged Steel Safety-Relief Valves
API RP 527	Commercial Seat Tightness of Safety Relief Valves with Metal to Metal Seats
API RP 551	Process Measurement Instrumentation
API RP 552	Transmission System
API RP 553	Refinery Control Valves
API RP 554	Process Instrument and Control
API RP 555	Recommended Practices for Process Analyzer

	INSTRUMENTATION DESIGN BASIS	Document No.	Rev.
		GAIL-STD-IN-DOC-DB-0011	0
		SHEET 5 of 28	

ASME B 16.31	Non-Ferrous Pipe Flanges
ASME PTC 19.3	Temperature Measurement Instruments and Apparatus
ASME A213	Seamless Ferritic and Austenitic Alloy Steel Tubes
ASME B 2.1	NPT Pipe Threads
ASTM A269	Seamless or welded austenitic Stainless Steel Tubing for General Service.
ATEX 94/9/EC	Equipment Intended for use in Potentially Explosive Atmospheres
BS 6739	Code of Practice for Instrumentation in Process Control Systems: Installation Design and Practice
BS 1904	Industrial Platinum Resistance Thermometer Sensors
BS 5555	SI Units
BS 6174	Differential Pressure Transmitters with Electrical Output
BS EN 50020	Electrical apparatus for potentially Explosive atmosphere intrinsic safety 'I'
BS-5308-Part 1	Instrumentation cables. Specification for polyethylene insulated cables
BS-5308-Part 2	Instrumentation cables. Specification for PVC insulated cables
BS-EN-60751	Industrial Platinum Resistance Thermometer Sensors
BS-EN-837-1	Bourdon Tube Pressure and Vacuum Gauges
EN 50288	Instrumentation Cables – Specification for PVC Insulated Cables
IEC 61000	Electromagnetic Compatibility
IEC 61158	Digital data communications for measurement and control, field bus for use in industrial control system
IEC 61131	Programmable Logic Controllers – Part 2 and 3
IEC 61831	On line analyzer systems Guide to design and installation
IEC 60079	Electrical Apparatus for Explosive Gas Atmospheres.
IEC 60529	Classification of Degrees of Protection Provided by

	INSTRUMENTATION DESIGN BASIS	Document No.	Rev.
		GAIL-STD-IN-DOC-DB-0011	0
		SHEET 6 of 28	

	Enclosures (IP code)
IEC 60331	Fire Resisting Characteristics of Electrical Cables
IEC 60332	Test on Electrical Cables under Fire Conditions
IEC 60529	Degrees of Protection Provided by Enclosures (IP Code)
IEC 60540	Test Method for Insulation and Sheaths of Electrical Cables and Cords
IEC 60605-1	Equipment Reliability Testing
IEC- 60793-1	Optic Fibers, Part 1 Generic Specification
IEC-61804-3 – 2010	Function Blocks (FB) for Process Control: Electronic device description Language
IEC 61508	Functional Safety: Safety Related Systems
IEC 61511-1	Functional Safety: Safety Instrumented Systems for the Process
IEC 62453	Field Device Tool (FDT) Interface Specification
IEC-1024-1	Protection against Lighting
IEC-60227-1	PVC cables of rated voltage up to and including 450/750 V – General requirements
IEEE-C37.90.1	Surge Withstanding Capability Standard
ISA RP 12.06.01	Instrument Wiring Methods for Hazardous (Classified) Locations Instrumentation – Part 1: Intrinsic safety
ISA S 5.4	Instrument Loop Diagram
ISA-5.5	Graphic symbols for process displays
ISA-7.0.01	Quality standard for instrument air
ISA S5.1	Instrument Symbols and Identification
ISA S5.4	Instrument Loop Diagrams
ISA RP42.00.01-2001	Nomenclature for Instrument Tube Fittings

	INSTRUMENTATION DESIGN BASIS	Document No.	Rev.
		GAIL-STD-IN-DOC-DB-0011	0
		SHEET 7 of 28	

IS 1239	Mild Steel Tubes, Tubular and other Wrought Steel Fittings
IS 2148	Flame Proof Enclosures for Electrical Apparatus
IS 5571	Guide for Selection and Installation of Electrical Equipment for Hazardous Areas (Other than Mines)
IS 5831	PVC Insulation and Sheath of Electric Cables
T4S	Technical Standards and Specifications including Safety Standards for Natural Gas Pipeline PNGRB Notification G.S.R. 808 €
ISO 5167 Part 1 – 4	Measurement of Fluid Flow by means of Pressure Differential 2003 Devices
ISO 5168	Measurement of Fluid Flow: Estimation of Uncertainty of Flow- Rate Measurement.
NEMA VE1	Metal Cable Tray Systems
NEMA ICS4	Terminal Block for Industrial Use
NEMA ICS6	Enclosure for industrial Control and system
NFPA 2001	Clean Agent Fire Extinguishing System
NFPA 72	National Fire Alarm Code
NFPA 12	Standard for Carbon Dioxide Extinguishing System

The list above is indicative. Any other International and Indian standards, if necessary, can also be referred by bidder during the execution of the job, without diluting the basic requirements, however with prior information to Owner/ Owner's Representative. In any case bidder must furnish a list of codes and standards other than those specified in this document, which shall be followed during engineering.

2.3 Abbreviations:

ANSI	:	American National Standards Institute
API	:	American Petroleum Institute
AGA	:	American Gas Association
ASME	:	American Society Of Mechanical Engineers
DG	:	Diesel Generator
DIN	:	Deutsches Institute For Normung
ER	:	Electrical Resistance

	INSTRUMENTATION DESIGN BASIS	Document No.	Rev.
		GAIL-STD-IN-DOC-DB-0011	0
		SHEET 8 of 28	

HOV	:	Hydraulic actuated Manually Operated Valves
HDD	:	Horizontal Directional Drilling
HDPE	:	High Density Poly Ethylene
LF2	:	Lead Free #2
LCP	:	Local Control Panel
LMC	:	Last Mile Connectivity
MCR	:	Master Control Room
MMI	:	Man Machine Interface
MMSCMD	:	Million Metric Standard Cubic Meter per Day
OFC	:	Optical Fiber Cable
OISD	:	Oil Industry Safety Directorate
PCP	:	Permanent Cathodic Protection
PESO	:	Petroleum and Explosives Safety Organization
PSP	:	Pipe to Soil Potential
PSV	:	Pressure Safety Valve
PNGRB	:	Petroleum and Natural Gas Regulatory Board
RLNG	:	Re-gasified Liquefied Natural Gas
RTU	:	Remote Telemetric Unit
SCADA	:	Supervisory Control and Data Acquisition
SMART	:	Self-Monitoring and Reporting Technology
STM	:	Synchronous Transmission Module
IP	:	Intermediate Pigging Station
TOP	:	Tap Off Point
TR	:	Transformer Rectifier
UPS	:	Uninterrupted Power Supply

2.4 Definitions:

COMPANY	:	The party that initiates the projects and ultimately pays for it design and construction, GAIL India Limited
CONSULTANT	:	The party which carries out FEED, detailed engineering and owner's Engineer
SUPPLIER/VENDOR	:	The party which manufactures or supplies the equipments and services to perform the duties specified by the Contractor EPC
CONTRACTOR	:	Refer Instrumentation Scope of work (doc. No. GAIL-ENG-IN-DOC-SW-001)

3.0 DESIGN CRITERIA

3.1 GENERAL

All Instrumentation and Control and Monitoring systems shall be in accordance with this specification and as defined in the P&I Diagrams.

	INSTRUMENTATION DESIGN BASIS	Document No.	Rev.
		GAIL-STD-IN-DOC-DB-0011	0
		SHEET 9 of 28	

All Instrumentation and Control Systems shall be designed for continuous operation in the given site conditions with the following design criteria:

- Ease of operation and maintenance;
- Suitability for applicable environmental condition;
- Suitability for operation in the designated classification of hazardous areas;
- State of art proven technology and instrumentation;
- Safety to operating and maintenance personnel;
- Safety to connected equipment;
- Safe starting and shutdown of the plant under all conditions;
- High Redundancy with high reliability (high MTBF and low MTTR) and no single point of failure;
- Minimum cost of ownership.

3.2 Quality Assurance

Procurement & Construction CONTRACTOR, CONSULTANT, SUPPLIER and VENDOR of equipment shall operate a Quality Assurance system. This system shall be based on the principles of ISO 9001 or equivalent. The quality system may be subject to auditing and monitoring by the COMPANY or his representative.

3.3 Reliability and Maintenance

High reliability of instrumentation is of paramount importance and therefore only existing field proven instrumentation, which is readily available and used widely in similar applications, shall be considered. Selection of instrumentation systems and equipment shall take account of the projects overall requirements for high availability. Importance shall be given to reducing the maintenance frequency and duration.

3.4 Operation and Design Life

The instrumentation and control equipment shall be designed to operate in the site environmental conditions continuously. The life time of the plant is envisaged to be 25 years. However, optimum design life expectancy of an instrument shall be 10 years and spare parts availability shall be for 10 years after cease of production. The life time expectancy of control equipment such as controllers, modules is expected to be 20 years with the availability of spares for 10 years after discontinuation of product.

The maintenance/replacement schedule shall be planned accordingly in order to maintain the instruments/control equipment for the duration of the plant life time.

3.5 Hazardous Area Classification

Field equipment and instruments shall be certified for use in designated areas when installed in hazardous area classified zones as per IEC 60079 and IS 5571.

Hazardous area classification shall be Zone 1, Gr. IIA/B, temperature Class T3. All field instruments shall be EEx „ia“ type, Whereas F&G equipment such as detectors, beacons and hooters shall be

	INSTRUMENTATION DESIGN BASIS	Document No.	Rev.
		GAIL-STD-IN-DOC-DB-0011	0
		SHEET 10 of 28	

EEx "d" type. All junction boxes shall be EEx „d" type and all cable glands shall be EEx „d" certified.

Instruments shall be certified by an internationally recognized organization (statutory body in the country of origin) such as BASEEFA, PTB, FM, CSA, UL etc. for operation in hazardous area classification. Instruments shall also meet the relevant requirements of ATEX directive 94/9/EC and shall carry the ATEX marking as a minimum. Calibration /carrier gas cylinders for gas chromatographs shall be PESO approved

3.6 Ingress Protection

All field mounted equipment, junction boxes, etc. including entries and blanking plugs shall have an environmental protection rating of min. IP65 to BS EN 60529. Indoor located equipment shall be to min. IP42.

3.7 Electromagnetic Compatibility

Individually supplied instruments should conform to the intent of IEC 61000 and carry a CE/UL/CSA conformity mark.

In view of the highly corrosive (Saline) ambient conditions, all instrument internal and external parts which are not inherently corrosion resistant by choice of instrument and construction material shall be prepared and finished by suitable protective coating and paint finish.

All equipment shall also be able to withstand these conditions during shipment, storage and installation prior to commissioning.

3.8 Special Tools

The SUPPLIER/VENDOR of the main equipment shall provide tools, and any other specialist items, required to operate and maintain any instrument or system.

3.9 Instrument Air Supply

Instrument air headers with suitable tap-offs shall be provided by piping near the instrument air consumers such as control valves, emergency shutdown valves. Instrument tubing shall be used for further connection to the valves. Air filter regulator shall be provided at each consumer. Instrument air supply shall be provided from existing IA supply network at site.

3.10 Nameplates

All instruments, junction boxes, cabinets, panels and ancillary equipment should be provided with a manufacturer's engraved corrosion resistant nameplate, permanently attached with stainless steel screws or rivets. In addition, instruments shall be provided with SS304 tag number plates and junction boxes shall be provided with traffolyte service labels.

3.11 Instrument Selection:

Instruments and instrumentation systems of proven reliability and latest technology shall be used. Selection of instrumentation shall be made from the approved Instrument Supplier Lists. Any exception has to be justified and is subject to approval by the CONSULTANT & CLIENT.

	INSTRUMENTATION DESIGN BASIS	Document No.	Rev.
		GAIL-STD-IN-DOC-DB-0011	0
		SHEET 11 of 28	

3.12 Tagging:

All instruments and instrumentation equipment shall be permanently identified by tags, labels and/or nameplates. Use of adhesive tapes shall not be allowed.

3.13 RF Immunity:

All instruments and control systems shall be immune from the effects of any R.F. interference that may occur at the plant location in accordance with IEC 801 "Electromagnetic compatibility for industrial-process measurement and control equipment". Equipment to be installed inside the control room shall be in compliance with the European Community directive requirements, denoted by the "CE mark". This compliance shall extend to each relevant item.

4.0 TYPE OF INSTRUMENT PROTECTION (AS APPLICABLE)

Instrument	Explosion proof	Intrinsically safe	Increased Safety	Others
Field Switches		√		
2-wire Transmitters		√		
Solenoid Valves		√		
Proximity Switches		√		
Junction Box	√ (For Non-IS signals)		√ (For IS signals)	
Cable Gland	√ (For Non-IS signals)		√ (For IS signals)	
F&G Devices	√	√	√	

Generally, Weather Protection Type for Field Instruments and junction boxes shall be minimum IP-65.

All intrinsically safe instruments shall be provided with isolator barriers in control panel.

5.0 CERTIFICATION REQUIREMENT

All instrumentation items used in hazardous areas shall be certified as indicated above, by international agencies like UL, FM or BASEEFA. As a minimum all the field instruments shall be suitable for the use in **Zone 1, Gr. IIA/B, Temperature Class T3**.

Instruments shall be certified EEx'ia', EEx'ib' (Intrinsic Safety), EEx'e' (Increased Safety) or EExd (Explosion Proof) to suit the area classification. Area classification drawings shall be prepared by Consultant. All electrical and instrumentations Items shall be Certified for use in Hazardous areas wherever applicable including PESO (CCOE) approval.

6.0 UNITS OF MEASUREMENT:

The units of measure used will be those of the SI system in particular

	INSTRUMENTATION DESIGN BASIS	Document No.	Rev.
		GAIL-STD-IN-DOC-DB-0011	0
		SHEET 12 of 28	

Parameter description	Unit of Measure
Differential Pressure	bar
Flow Rate	MMSCMD
Density	kg/m ³
Duty	kJ/hr, GJ/ hr
Energy	kJ
Gas Flow @ STP	Sm ³ /h, MSm ³ /h
Length	mm, m, km
Power	kW
Pressure	bar (g)
Specific Heat	kJ/kg °C
Temperature	°C
Thermal Conductivity	W/m °k
Transfer Rate	kW/m ² °C
Velocity	m/sec.
HC & Toxic Gas Concentration	ppM / Mol%
Viscosity	cP (centipoises)

Standard Temperature and Pressure conditions (STP) are defined at 15 °C and 1.01325 atm.

- **CANOPY:** FRP of minimum, thickness of canopy should be 4mm (min.). FRP shall be UV Protected.

7.0 UTILITY REQUIREMENT (As Applicable):

7.1 ELECTRONIC INSTRUMENTS

7.1.1 Power Supply requirement

Transmitters	:	24 V, DC
Solenoid valves	:	24 V, DC
RTU Panel	:	24 V DC, 50 Hz, - UPS,
F&G Panel	:	24 V DC, 50 Hz, - UPS,

7.1.2 Signal transmission : 4-20 mA DC, 2 wire

7.1.3 Switching : DPDT / SPDT dry contacts

Normal : Close

	INSTRUMENTATION DESIGN BASIS	Document No.	Rev.
		GAIL-STD-IN-DOC-DB-0011	0
		SHEET 13 of 28	

Alarm/ Shutdown : Open

7.1.4 All valves requiring Power supplies shall be directly powered from the Instrumentation Panel & controlled locally from field and remotely from SCADA. There shall be no interface with electrical except for the main power supplies.

7.1.5 One UPS power feeder and one NON-UPS power feeder (for non –critical loads such as panel light, fan etc.) shall be provided for RTU panel by contractor. Distribution to panel instruments and field instruments shall be provided within the control panel. Power to field instrumentation shall be from RTU panel.

7.1.6 Instrument Earthing System Philosophy

Three separate earthing systems shall be provided:

- Electrical Safety Earth – Bonded to the Electrical Earth pit and utilized for electrical safety of metal enclosures and chassis on all instruments and electrical components.
- Instrument Clean Earth – Insulated from the Electrical Earth pit and other metal work, utilized for instrument cable screens and bonded to the main Instrumentation earthing system at a single point.
- Intrinsically Safe Earth – Insulated from the Electrical Earth pit and other metal work, utilized for termination of IS zener barrier earth connections and bonded to the main Instrumentation earthing system at a single point.

8.0 PROCESS AND ELECTRICAL CONNECTION:

8.1 PROCESS CONNECTIONS

Instrument	Process Connection Size			Instrument Connection
	Vessel	Piping	Tank	
Pressure Gauge	2” RF flg	3/4” NPT	2” RF flg	½” threaded
Pressure Transmitter	2” RF flg	3/4” NPT	2” RF flg	½” threaded
DP Transmitter	2” RF flg	1” NPT	2” RF flg	½” threaded
Radar	4” RF flg	--	4” RF flg	4” RF flg
Level Transmitter (Radar Type/Displacer)	2” RF flg	2” RF flg	2” RF flg	4” RF flg
Level Gauge (Magnetic)	2” RF flg	--	2” RF flg	--
Thermowell	1 1/2” RF flg	1 1/2” RF flg	1 1/2” RF flg	1 1/2” RF flg

9.0 MATERIAL SELECTION PHILOSOPHY

	INSTRUMENTATION DESIGN BASIS	Document No.	Rev.
		GAIL-STD-IN-DOC-DB-0011	0
		SHEET 14 of 28	

9.1 MATERIAL OF CONSTRUCTION

The material of construction of the wetted parts and the body of all the individual instruments / equipment shall be suitable to the process fluid / conditions and the site ambient conditions.

All materials and equipment furnished shall be new and unused, of current manufacture and the highest grade and quality available for the required service, and free of defects.

Process wetted parts shall be suitable for process fluid and conditions. Body / trim materials shall be selected based on the applicable pipe class as per Piping Material Specification. Wetted parts material shall be SS316 as a minimum. Tubing and tube / pipe fittings used to hook up instruments to piping / vessel shall be SS316. Material of construction of enclosures and junction boxes shall be cast aluminum (LM6/LM25).

Galvanic compatibility between dissimilar materials is to be ensured to prevent corrosion due to galvanic action.

10.0 INSTRUMENTATION

GENERAL

All electronic transmitters shall be, "Smart" type with "HART" protocol. Transmitter output shall be 4~20mA, two wire loop powered at 24VDC from the system it is connected to. Smart sensors connected to safety systems shall be write-protected to prevent unintentional modification from a remote location.

All transmitters shall be supplied with integral LCD digital indicators scaled in engineering units; however, scale for level transmitters shall be 0 to 100% of instrument span.

Separate dedicated instruments shall be used for shutdown and process control & monitoring. Shutdown initiating devices shall only be used for shutdown functions.

Low power signals (i.e. RTD / thermocouple) shall be converted in field to 4-20 mA by means of remote mounted transmitters.

Gas chromatograph shall preferably have retractable type of probes inserted into pipelines for ease of maintenance.

Field instrument design and selection shall suit process and environmental conditions as well as hazardous area classification requirements.

All electronic / electric instruments shall have 2 Nos. ½" NPT cable entries. Suitable nickel plated brass adapters shall be provided if the cable entry on the instrument is other than NPT threads. Spare cable entries shall be plugged with certified nickel plated brass plugs.

10.1 PRESSURE INSTRUMENTS

GENERAL

- a) Process connections for pressure instruments shall normally be ½" NPT and process interface shall consist of 2" ball valves with double isolation
- b) Static pressure sensing connections on horizontal lines are normally made at the top

	INSTRUMENTATION DESIGN BASIS	Document No.	Rev.
		GAIL-STD-IN-DOC-DB-0011	0
		SHEET 15 of 28	

- c) Impulse connection between primary process taps and pressure instruments shall generally be ½" OD SS316L seamless tubing. The tubing wall thickness shall be determined by pressure and temperature design limits of the process for that particular installation. As a minimum wall thickness for impulse tubing shall be 0.065". All tube fittings shall be of compression type with double ferrule, Swagelok or Parker only.
- d) Two valve manifolds shall be provided for pressure instruments installations. Valve Manifolds shall have MOC SS316 as Valve and seat material shall be determined by the process requirement.
- e) All pressure instruments shall be suitably mounted so as to minimize the length of impulse lines.
- f) Local Gauges shall be provided for field monitoring & control purpose. All instrument ranges shall be selected such that the normal operating point is between 35% and 75% of the instruments total range.

1. PRESSURE GAUGES

- a) Gauges shall be bourdon tube type.
- b) Pressure gauge; accuracy shall be ± 1.0% of full range and over range protection shall be 130%.
- c) Dial size shall be 150 mm and cases shall be stainless steel screw on or bayonet bezel type. Blow out disc and solid front protection shall be provided and gauges shall be orientated such that they vent safely.
- d) All pressure gauges shall be liquid filled type. It is widely known that vibration, pulsation and pressure spikes are the most common causes of poor performance and failure in pressure gauges.
- e) Gauge windows shall be constructed from safety pattern/toughened glass.
- f) Bourdon tube material shall be type 316 Stainless steel,
- g) Over-range protection shall be 1.3 times the maximum scale range. Where a gauge is subject to greater pressure, a gauge protector shall be used.
- h) On pulsating service, a snubber shall be fitted in the input connection. Syphon shall be fitted to pressure gauges on steam or hot condensable gas services.
- i) To facilitate pressure gauge removal and alignment, gauges shall be connected to the piping by means of gauge adapter and not directly into valves.

2. PRESSURE TRANSMITTER

- a) Pressure transmitter shall be electronic SMART type, two wire, loop powered at 24VDC with 4-20 mA output and integral digital indicator meter in engineering units.

	INSTRUMENTATION DESIGN BASIS	Document No.	Rev.
		GAIL-STD-IN-DOC-DB-0011	0
		SHEET 16 of 28	

Transmitters shall have HART protocol for digital communication.

- b) Material of construction for wetted parts shall be SS 316 as a minimum.
- c) Pressure transmitters shall have minimum accuracy +/- 0.075% of the calibrated span.
- d) Transmitters shall have independent external screws for zero and span adjustment.
- e) Pressure transmitters shall be installed as close as practical to the primary taps shall not require seal or condensate chambers unless the fluid contains sediment or is corrosive. Transmitters shall be installed in accessible places.

10.2 TEMPERATURE INSTRUMENTS

1 THERMOWELLS

- a) Temperature measuring instruments shall be provided with thermowell. The process connection size of thermowell shall be 2" Butt Welded. Minimum line size for thermowell connection shall be 4". For lower size line, same shall be expanded to 4".
- b) The thermowell shall be constructed from drilled bar stock SS 316 material. Thermowell shall have a sufficient internal bore to properly accommodate the devices placed in the bore.
- c) Thermowell to be fabricated as per standard drawing for thermowell (Annexure-2)
- d) All thermowells shall be stress analysed for velocity conditions. Calculation shall be done as per ASME PTC 19.3 TW-2016 code. 100% radiography shall be conducted for all fabricated thermowells.
- e) Test wells shall be furnished with a permanently attached plug and chain. The bore shall be 10 mm to allow for the insertion of a glass stem mercury or ethyl alcohol test thermometer.
- f) All thermowells shall be of welded type only.

2 Resistance Temperature Detectors (RTDs)

- Sensor - Pt 100 RTD
- Type - 4 Wire, Duplex

3 TEMPERATURE TRANSMITTERS

- a) The sensor shall be RTD PT-100, 4-wire, Duplex type system. The transmitter shall be remote yoke mounted "SMART" type, two wire loop powered at 24V DC with 4-20 mA output with digital output indicator meter. Transmitters shall have HART protocol for digital communication. The 4-20 mA output signal must be directly proportional and linear to temperature. The RTD shall be class A type.
- b) The range shall be selected so that the normal operating temperature shall fall in the middle third of the span.

	INSTRUMENTATION DESIGN BASIS	Document No.	Rev.
		GAIL-STD-IN-DOC-DB-0011	0
		SHEET 17 of 28	

- c) Temperature transmitters shall have a built-in linearization function to produce an output linear to temperature range.
- d) Transmitters shall have independent external screws for zero and span adjustment.
- e) The accuracy of the transmitter shall be minimum ± 0.15 % of range.

11.0 GAS OVER OIL ACTUATORS (GOOV)

Actuator shall be double acting piston design to enable quarter turn operation of the valve. The design pressure of the actuator shall be suitable to the pipe design to ensure trouble free operation of the actuator.

Actuator torque shall be 1.25 times the valve torque required at full rated differential pressure of valve. The actuator shall be suitable for operation using gas supply from upstream and downstream of the valve. Tapping for gas supply shall be provided on upstream and downstream piping of the valve.

Pneumatic cylinder storing gas with non-return valve shall be provided for emergency operation of valve. The gas tank (storage) shall cater at least 2 open / close cycles of valve operation. Both storage and accumulator cylinders shall be provided with relief valve and gauges and shall be designed as per ASME Sec VII.

Each actuator shall be provided with open / close limit switches, remote / local switch and differential pressure switch. A local actuator panel shall be provided to enable opening and closing of valve under local mode. Solenoid valves shall be 3 way with manual reset facility. Independent solenoids shall be provided for open and close conditions.

Tubing and tube fittings shall be minimum SS316. Local panel shall be die-cast aluminum and Ex"d" certified. All signals from GOOV to control system shall be potential free.

Accessories:

- Valve Position Switch

All block valves shall be supplied with limit switches for valve position indications. Two separate limit switches are required, one for "closed" position and one for "open" position. Each limit switch shall be proximity type with NAMUR design.

The switch enclosure shall be copper free cast aluminium/AISI 316, weather proof IP-65 minimum and it shall be intrinsic safe suitable to hazardous area classification.

- Solenoid Valve

The solenoid valve shall be double acting type. The body and internals shall be of SS316. Valve shall be made leak proof with 'O' ring seals. The Solenoid valve shall be weatherproof to minimum IP-65 and intrinsic safe type, suitable to hazardous area classification. The power supply shall be 24 VDC.

- Differential Pressure Switch

The differential pressure switch shall be of electric type. The switch enclosure shall be copper free cast aluminium, weather proof to minimum IP 65 & it shall be intrinsic safe

	INSTRUMENTATION DESIGN BASIS	Document No.	Rev.
		GAIL-STD-IN-DOC-DB-0011	0
		SHEET 18 of 28	

suitable to hazardous area classification.

- Local /Remote Selector switch the L/R switch shall be provided on the valve actuator for local operation from the valve or remote operation from the local control panel or SCADA.
- Actuator Sizing
The actuators shall be sized for maximum differential pressure across the valve body at the minimum medium supply pressure. The breakaway, run and end torque values of each actuator shall be carefully designed to ensure no damage to the valve stem will occur.

12.0 CONTROL VALVE

The control valve shall be self – contained totally enclosed unit, complete with actuator, electro-pneumatic positioner, filter regulator and accessories, which are required for automatic and manual operation of the valve. The control valve shall be designed for throttling operation of the valve to meet the process requirements.

Vendor shall select control valve as per the process conditions. The possible effects of erosion, cavitation and noise shall be considered in the valve selection procedure. Maximum permissible limit for noise generated by control valves shall be 85 dBA or less, as measured at a distance of 1 meter from the valve for any flow condition.

Control valve selection shall be done in accordance the necessary valve of the characteristics and to ISA S75.01, standard with regard to Flow equations for sizing of control valves. Equal percentage and linear trim are two of the main characteristic which is generally applicable to the process requirement.

Globe valves (linear motion, rotary / eccentric plug or rotary / segmented ball) shall be preferred for general service where precise flow control is required apart from low allowable pressure drop conditions and shall be cage guided expect in dirty or abrasive services.

The calculated Cv value shall be in accordance with ISA S75.01, Flow Equations for Sizing Control valves or the Vendor’s proprietary sizing program.

Control valves shall be sized for a minimum wide open capacity of 110 percent of maximum flow. The selected valve should normally be 80 to 90 percent open at maximum flow. The selected valve shall be no less than 10 percent open at minimum flow, or shall be within the Vendor's minimum throttling Cv recommendation.

Control valve actuators shall be pneumatic, spring return type, diaphragm or piston type. Spring shall be corrosion resistant, cadmium plated or equal.

The pneumatic actuator shall be suitable for instrument air and shall function properly under the minimum, normal and maximum instrument air supply pressures. The minimum instrument air pressure required for the actuator shall be 4 barg.

Actuators shall be sized for operation under maximum shutoff pressure drop across the valve with minimum instrument air pressure to the actuator.

The Vendor shall be responsible for the mechanical compatibility and provision of

	INSTRUMENTATION DESIGN BASIS	Document No.	Rev.
		GAIL-STD-IN-DOC-DB-0011	0
		SHEET 19 of 28	

mechanical coupling between the valve and actuator. Valve to actuator mating and alignment shall be in accordance with ISO 5210 and ISO 5211.

Actuators shall be fully compatible with the valve with regard to torque/thrust figures, inertial stresses on the valve stem and mechanical stresses on the valve top.

Control valve shall be supplied duly fitted with electro-pneumatic positioner for all services except on / off control. Valve positioner supplied shall be “smart” type, 4 – 20 mA output, two wire loop powered unit with HART capability and integral LCD display. The device shall provide self-diagnostics as well as control valve diagnostics.

Positioner output action shall be direct. The valve positioner shall have sufficient capacity in both directions for pressuring and venting the actuator to prevent response time limitations. The positioner shall have a weatherproof enclosure with a minimum degree of protection of IP 65 in accordance with IEC 60529.

13.0 PRESSURE SAFETY VALVES (PSV)

Pressure safety valves (PSV) shall be direct acting, spring loaded; full nozzle / full lift, adjustable blow down high capacity type.

PSV shall have flanged end connections, enclosed spring, bolted bonnet, screwed cap, and full one-piece nozzle. Flanges shall be in accordance with ANSI B16.5 requirements.

Flanges shall be integral part of the body. Weld-on flanges shall not be allowed. Bodies and flanges shall be of the same material. Inlet flange shall be of sufficient rating to withstand the reaction force of the PSV.

PSV sizing shall be carried out based on API RP 520 Part 1. Orifice letter designation shall be in accordance with API STD 526. For blocked discharge case, overpressure shall be 10% above the set pressure. For fire relieving case overpressure shall be 21% above the set pressure.

All wetted parts of PSV shall be SS316. Safety valves shall be provided with test gags and manual test lever. Springs of safety valves shall be selected as per process conditions.

14.0 CONTROL PANEL

- Control panel shall be constructed from 2 mm thick CRCA sheet metal. However, thickness of panel front shall be 3 mm and thickness of cable gland plate shall be 3 mm.
- Panel shall be with a minimum protection of IP 42.
- Control panel shall have bottom cable entries.
- Power distribution shall be provided with in the panel for all field instruments, panel mounted instruments, annunciator, lamps, Relays, Active Barriers,etc.
- All the ferruling in the panels for the internal and field wiring shall be strictly cross Ferruled.
- The colour of the control panel shall be as per RAL 7032 / latest addition of RAL, same as that of existing control panels in order to have consistency or else as instructed by OWNER.

	INSTRUMENTATION DESIGN BASIS	Document No.	Rev.
		GAIL-STD-IN-DOC-DB-0011	0
		SHEET 20 of 28	

- Control panel shall be fabricated as per standard specification for Control Panel, except that semi-graphic panels are not required.
- One spare trim of each type of valve, 20% spare with minimum of one (01) number of each type of instruments, relays, active barriers, all hardwares inside the panel etc. shall be provided on each panel.

15.0 GAS DETECTION SYSTEM (GDS)

Hydrocarbon Gas Detectors which are to be installed at field shall be Open Path and Point detector. Gas Detectors shall be 3-wire type and triad cable shall be used for connecting to control room. Gas Detector shall operate through 24VDC power supply and shall be explosion proof. Gas detector body shall be of die cast aluminium with epoxy coating and shall be weather proof to IP-65. Gas Detector shall have 4-20 mA HART output.

Point gas detection system will be Infrared Type.

The low and high gas concentrations and a failure/default state will be detected and signaled by the control unit. The three signals will be sent to the SCADA System located in the Control Room.

Hydrocarbon Gas detector portable IR type shall be provided where specified.

Also, Hydrocarbon Gas detector Open Path and Point IR Type detector shall be provided at stations shown in respective P&IDs to monitor leakage due to failure of prone equipment part, accessories, valves and pipes depending upon wind direction gas density. However, exact quantity will be decided at the time of detail engineering.

Gas detector shall flash alarm light in local and panel at 20% LEL and flash alarm light and sound alarm hooter in local & panel at 40% LEL.

OPEN PATH GAS DETECTION SYSTEM:

Standard Specification: AC (FP) Part – II, FA 1948 & GSR 1963, OISD

The system comprise TWO sets of Open path IR Gas detectors located in the process area. The entire Open Path Detectors are connected to a Control Panel. The control Panel for open path detection system is located in the main control room which will receive and transmit the required signals to the Detectors located in the field. All the Transmitters & Receivers of the open path detectors are connected to the Control Panel by the means of 6 P Armoured FLP Cable. From Transmitter and Receiver the continuous monitoring will be there and if the gas leaks in the field respective loop will be indicated in the front panel.

ENVIRONMENTAL CONDITIONS & GENERAL REQUIREMENTS:

- All the field equipments shall be suitable for IP 65 and should be for outdoor application.
- Flame proof equipment should be installed in the process area.
- Area classification for Hazardous area shall be Zone – 2, Group –IIA, II B, & Temperature class shall be T3.
- All Electronic circuits used in the system shall be resistant from the effects of any RF interference.

	INSTRUMENTATION DESIGN BASIS	Document No.	Rev.
		GAIL-STD-IN-DOC-DB-0011	0
		SHEET 21 of 28	

- Contacts used in intrinsically safe circuit must be gold plated.

CONTROL PANEL FOR OPEN PATH DETECTORS:

The control Panel for the open path detectors Gas module is an electronic control unit designed to operate Gas detector head. Control Card and Controller for Gas Detection system shall be of OEM make only. Its Function is to:

- Supply the detector Head with a stabilized voltage and current.
- To receive the signal from the Detector Head and process it.
- To visually display the concentration of gas present at the Detector Head.
- To initiate alarms at pre-set levels of gas concentration.

The module contains comprehensive fault monitoring facilities and circuits that allows remote display and control of its state. The unit is powered by 24 V DC supply and a switch mode regulator for the detector Head supply such that the voltage at the Head can be maintained accurately at the value required by the sensor (typically 2.0 volts) with up to 40 ohms loop conductor resistance between Detector Head and module.

The three wire interconnection between the module and the Detector Head is monitored by the fault detection circuits for any combination of short circuit or open circuit. Under normal conditions a fault relay is energized and when fault is detected this relay then de-energises. Fault conditions exist whenever the front panel function switch is in any position other than NORM. The input signal from the Detector is amplified accordingly the % LEL will be displayed in the front panel. Also the same amplified signal is compared in two separate comparator circuits against pre-set level to provide the ALARM 1 & ALARM 2 control signals.

Detected Gases: Simultaneous detection of C 1 –C 8 flammable gases. Other Features –

- Long – range gas detection up to 140 m
- High sensitivity and fast response to hydrocarbon gases.
- Compatible with extreme and harsh environments.
- Solar blind and immune to industrial environments.
- Withstands extreme vibration conditions.
- Interfaces with most commonly used control panels.
- Standards 4 – 20m A and Dry Contacts Relays.
- RS –485 Output for PC communications.
- Network for a maximum of 64.
- Simple installation , alignment, and calibration
- Explosion – proof enclosure.
- Cenelec and UL approved

Power Supply:

- 230VAC as a main Supply.
- 24V DC as a standby Supply.

Input Signals:

- Open path detectors
- Point Gas Detectors

	INSTRUMENTATION DESIGN BASIS	Document No.	Rev.
		GAIL-STD-IN-DOC-DB-0011	0
		SHEET 22 of 28	

Output Signals:

- Signals to PLC / SCADA system located in the Control Room.

Critical alarms from the GDS such as confirmed gas detection alarm, panel fault alarm shall be hardwired to the RTU / GAIL SCADA as a minimum.

16.0 FIRE ALARM CONTROL PANEL (FACP)

Terminal buildings shall be equipped with Fire Alarm Control Panels (FACP) along with smoke detectors and manual call points (MCP) to initiate alarm on fire detection for safety of personnel and equipment in building. FACP shall be interfaced to RTU / GAIL SCADA in the terminal building.

FACP system shall be analog system compliant to NFPA 72 requirements. All buildings shall have conventional type smoke & heat detectors, hooters and beacons etc. interfaced to the FACP as required per HSE requirements.

Upon fire detection, the system shall initiate audible and visual alarms at the facility via hooters and beacons to alert personnel and initiate HSE procedures.

Critical alarms from the building FACP such as confirmed fire alarm, panel fault alarm shall be hardwired to the RTU / GAIL SCADA as a minimum.

17.0 INSTRUMENT CABLING AND WIRING

- 17.1 Only 1Pair / 2 pair / 1 Quad / 6 pair / 8 pair / 12 pair with PVC type primary insulation shall be used for instrumentation cables.
- 17.2 All cables shall be FRLS type to IEC - 60332 (Type-III, Category 'A').
- 17.3 Cables for analog signals shall have both individual pair screen and overall screen, and the pairs (or triples) shall be uniformly twisted together. Conductor size shall be 1.5mm² stranded. Cables for discrete signals shall have an overall screen, and the pairs shall be uniformly twisted together. Conductor size shall be 1.5 mm² stranded for both single pair and multipair cables.
- 17.4 Power supply cables (24V DC to solenoid valves, etc.) shall have stranded 2.5 mm² conductor size. Contractor to check the correct size depending upon length of cable and voltage drop.
- 17.5 In general, cable shall be armored type.
- 17.6 Wiring inside the control room local panels shall be 1.0 mm² copper stranded conductors with PVC insulation. Wiring shall be flame retardant & termination shall be via MCT. Panel wiring raceways and terminal blocks shall be flame retardant type (FRLS). All terminal blocks shall be with screw clamp type and shall be UL listed, 25% spare to be provided for future expansion.
- 17.7 All terminals shall be suitable for minimum 2.5mm² conductor size excepting those on main power supply distribution arrangements. The cable shields shall be grounded at one location only. Required number of junction box shall be allowed in the way of any interconnecting cable between the field instruments and the final termination point both for skid and non-skid equipment. Special signal cables shall be wired without Junction Boxes.

	INSTRUMENTATION DESIGN BASIS	Document No.	Rev.
		GAIL-STD-IN-DOC-DB-0011	0
		SHEET 23 of 28	

18.0 JUNCTION BOX

- 18.1 Junction boxes shall be weatherproof to NEMA 4X. Junction boxes located in explosion proof circuits shall be certified explosion proof to NEMA 7 suitable for the specified area classification.
- 18.2 Material of construction of junction box shall be LM-6 cast aluminum.
- 18.3 Terminals shall be vibration proof, clip on type mounted on nickel-plated steel rails complete with end cover and clamps for each row.
- 18.4 All terminals shall be suitable for accepting minimum 2.5 sq.mm copper conductor in general. Sizing shall be done with due consideration for accessibility and maintenance.
- 18.5 Plugs shall be of Nickel plated brass.
- 18.6 Cable glands shall be double compression type for use with armored cables. They shall be of Nickel plated brass.
- 18.7 All cable glands shall be weatherproof to NEMA 4X. They shall be supplied to suit the cable dimensions. Various components like rubber ring, metallic ring, metallic cone and the outer/inner nuts etc. shall be capable of adjusting to the cable tolerances.
- 18.8 Colour shade for Junction box shall be:
- For IS JB - High build Epoxy Deep Sky Blue Shade
 - For non IS JB - Light Gray Shade Equivalent to RAL7035
- 18.9 Cable gland for hazardous area shall be Explosion proof to Exd. IIA/IIB, T3 & WP to IP 65.

19.0 OTHERS

- 19.1 All cable & tube entries to control room shall be through MCT blocks. MCT blocks shall confirm to 'SOLAS'. MCT shall have 25% spares
- 19.2 Cable trays shall be ladder type in trenches and otherwise trays shall be perforated type. Material of construction for all trays shall be GI with min. 2 mm thickness.
- 19.3 A minimum of 20% spare capacity shall be provided in terminals in junction boxes, Control panels, and multicore cables, cable entries in junction boxes, cable trays etc.
- 19.4 In general, instrument Installation shall be as per specification for instrument installation works and typical installation hook-up drawings attached elsewhere in the bid document.

20.0 GENERAL

- 20.1 In general, instrument Installation shall be as per specification for instrument installation works and typical installation hook-up drawings.
- 20.2 20% or minimum one (01) number (whichever is greater), of each type of Instruments shall be provided as mandatory spare.

21.0 TECHNICAL DESIGN DOCUMENTS:

	INSTRUMENTATION DESIGN BASIS	Document No.	Rev.
		GAIL-STD-IN-DOC-DB-0011	0
		SHEET 24 of 28	

21.1 Piping and Instrumentation Diagram (P&ID)

The instrumentation symbology and presentation on the P&ID's shall be in accordance with ISA S5.1, including tag numbering.

The numbering system shall follow the project standard. A strategy of numbering, however, shall be developed during the detailed design, and approved by the COMPANY.

Instruments supplied by mechanical package equipment SUPPLIER/VENDOR shall bear tag numbers provided by the CONTRACTOR and will be part of the Instrument Index prepared by the CONTRACTOR.

21.2 Instrument Data Sheets

Instrument data sheets shall be provided for all instrument types. Data sheets shall be subdivided for each process parameter, i.e. Flow, Level, Pressure, Temperature, Control Valves, Relief Valves, Analyzers, and Miscellaneous etc.

Instrument Data Sheets shall completely identify the instrument by type and model number and shall indicate operating data such as range, capacity, action, and set-point.

21.3 Instrument Drawings

The design shall include all detailed drawings to enable purchased equipment to be installed correctly. The following design drawings are typical requirements as minimum:

- System Architecture Drawing
- Instrument Index
- IO List
- Instrument location Drawings
- Typical Installation details
- Hook up Drawings
- Instrument Cable schedule
- Instrument interconnection diagrams
- Loop drawings
- Instrument cable tray & trench layout
- Instrument earthing layout
- Thermowell wake frequency calculation
- PSV capacity, surface temperature and sizing calculation
- Any other document drawing required for the project.

Following software shall be used for this project for all instrumentation documentation / datasheets.

- Instrument Index / IO List – MS Excel
- Drawings – AutoCad
- Cable / Tubing Schedule – AutoCad / MS Excel
- Instrument JB termination – AutoCad

	INSTRUMENTATION DESIGN BASIS	Document No.	Rev.
		GAIL-STD-IN-DOC-DB-0011	0
		SHEET 25 of 28	

ANNEXURE-1

MATERIAL SELECTION CHART FOR INSTRUMENTS

Sr No.	Piping Class	Pressure Gauge / Pressure Switch	Thermo well
		Element / Socket / Gauge Saver / Snubber	
1	6A4	SS316	SS316
2	X65	SS316	SS316

	INSTRUMENTATION DESIGN BASIS	Document No.	Rev.
		GAIL-ENG-IN-DOC-DB-001	0
		SHEET 26 of 28	

Sr No.	Piping Class	Miniature Inst. Valve	Impulse Tube & Tube Fitting
1	6A4	SS316	SS316
2	X65	SS316	SS316

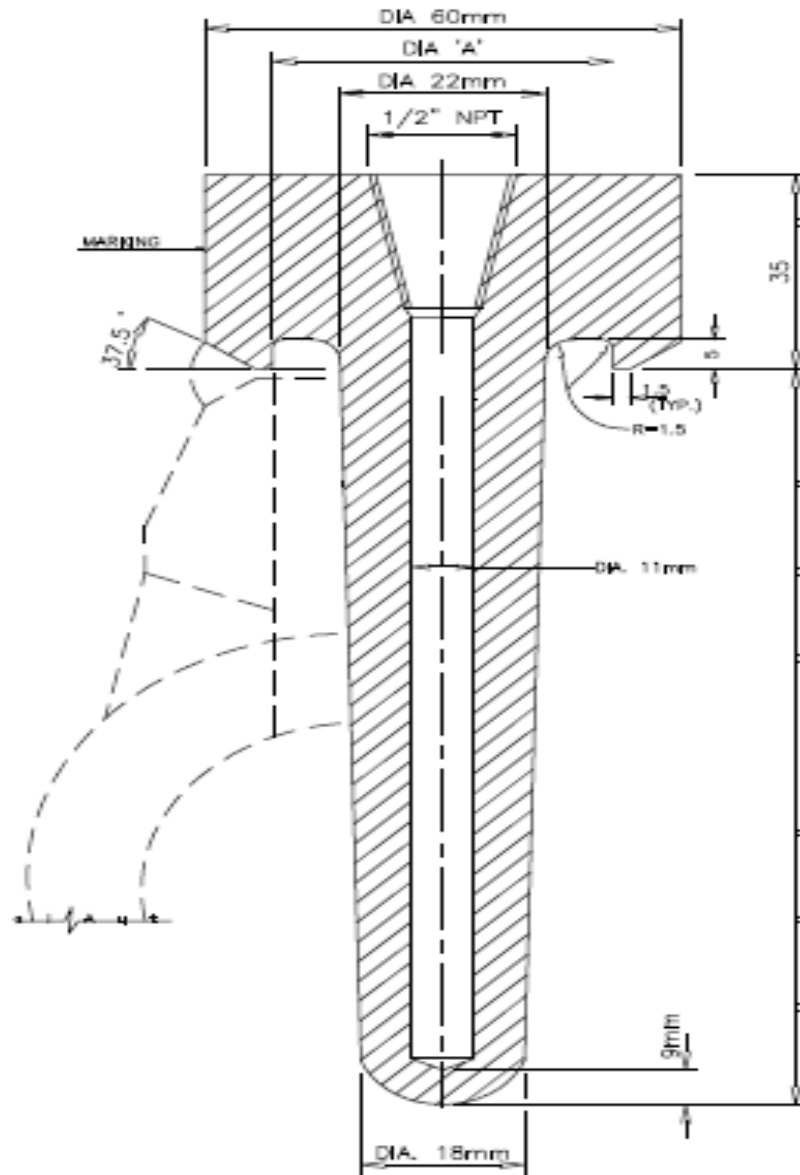
General Notes:

1. All Casting and welding of wetted parts shall be 100% radiographed.
2. In case of any conflict between the following documents, order of priority shall be as following:
 - a. Instrument Data Sheets
 - b. Instrument Material Selection Chart
 - c. Design Basis for Instrumentation
3. Abbreviations LTCS: Low Temperature Carbon Steel; SS: Stainless Steel
4. Contractor shall complete all these data sheets based on final selection. These shall be duly approved by the company as part of respective purchase specification.

	INSTRUMENTATION DESIGN BASIS	Document No.	Rev.
		GAIL-ENG-IN-DOC-DB-001	0
		SHEET 27 of 28	

ANNEXURE-2

**THERMOWELL
(WELDED TYPE - ABOVE GROUND)**





GAIL INDIA LIMITED

**STANDARD SPECIFICATION
FOR
PRESSURE GAUGES**

GAIL-STD-IN-DOC-TS-001

Rev	Date	Purpose	Prepared By	Checked By	Approved By
0	15.01.2019	Issued As Standard	RKS	UNU	UNU



TABLE OF CONTENTS


1.0 GENERAL.....3

2.0 DESIGN AND CONSTRUCTION.....4

3.0 NAME PLATE.....7

4.0 INSPECTION AND TESTING.....7

ANNEXURE-1: MATERIAL OF CONSTRUCTION

STANDARD SPECIFICATION FOR PRESSURE GAUGES	Doc No.	Rev	
	GAIL-STD-IN-DOC-TS-001	0	
	Page 2 of 8		

1.0 GENERAL

1.1 Scope

1.1.1 This specification, together with the data sheets attached herewith covers the requirements for the design, materials, nameplate marking, and inspection, testing and shipping of pressure gauges.

1.1.2 The related standards referred to herein and mentioned below shall be of the latest editions prior to the date of the purchaser's enquiry:

ANSI/ASME	American National Standards Institution/American Society of Mechanical Engineers.
B 1.20.1	Pipe Threads General Purpose (Inch)
B 16.5	Pipe Flanges and Flanged Fittings NPS1/2 through NPS24
B 16.20	Metallic Gaskets for Pipe Flanges, Ring Joint, Spiral wound and Jacketed.
EN10204	Inspection Documents for Metallic Products
IEC-60529	Degree of Protection Provided by Enclosures (IP Code)
IS-3624	Specification for Pressure and Vacuum Gauges.


1.1.3 In the event of any conflict between this standard specification, data sheets, statutory regulations, related standards, codes etc., the following order of priority shall govern:

- a) Statutory Regulations'
- b) Datasheets
- c) Standard Specification
- d) Codes and Standards

In addition to compliance to purchaser's specifications in totality, vendor's extent of responsibility shall include the following:

- a) Purchaser's data sheets specify the type of pressure element. Unless specifically indicated otherwise, alternate type of pressure elements shall also be acceptable provided all the functional and performance requirements specified in the respective data sheets are guaranteed by the vendor.
- b) Purchaser's data sheets indicate the minimum acceptable material of construction for pressure element, movement etc. Alternate superior material of construction shall also be acceptable provided vendor assumes complete responsibility for the selected materials for their compatibility with the specified fluid and its operating conditions.

1.2 Drawing and Data


STANDARD SPECIFICATION FOR PRESSURE GAUGES	Doc No.	Rev	
	GAIL-STD-IN-DOC-TS-001	0	
	Page 3 of 8		

- 1.2.1** Detailed drawings, data, catalogues and manuals required from the vendor are indicated by the purchaser in vendor data requirement sheets. The required number of reproducible, prints and soft copies shall be dispatched to the address mentioned, adhering to the time limits indicated.
- 1.2.2** Final documentation consisting of design data, installation manual, operation and maintenance manual etc., submitted by the vendor after placement of purchase, order shall include the following, as a minimum:
- a) Specification sheet for each gauges, and its accessories.
 - b) Certified drawings sheets for each gauges and its accessories, which shall provide dimensional details, internal constructional details, end connection details and materials of construction.
 - c) Copy of type test certificates.
 - d) Copy of the test certificates for all tests indicated in clause 4.0 of this specification.
 - e) Installation procedure for each gauge and its accessories.
 - f) Calibration and maintenance procedures including replacement of internal parts wherever applicable

2.0 DESIGN AND CONSTRUCTION

2.1 Pressure Elements, Gauge Movement and Socket

- 2.1.1 The pressure element shall be an elastic element like bourdon tube, bellow, diaphragm etc with material as specified in the data sheet.
- 2.1.2 In case of bourdon type of gauges, the size of the bourdon tube shall not be less than 75% of the nominal diameter of the dial size.
- 2.1.3 Gauge construction shall ensure no leakage of process fluid from the sensor elements to atmosphere and between the high pressure and low-pressure side (in case of differential pressure gauges) under normal condition.
- 2.1.4 The gauge socket shall be in one piece and shall also serve as element anchorage in case of bourdon tube type element, which shall be directly connected to the socket, without any capillary or tube in between. For other types of elements, the anchorage may be integral with the socket or connected with the socket using capillary tube with minimum bore of 3 millimetres.
- 2.1.5 Any joint in the process wetted system including joint between the element and the anchorage/socket shall be welded type only.
- 2.1.6 Unless specified otherwise, the pressure gauges shall have an over-range protection of at least 130% of maximum working pressure, as a minimum.
- 2.1.7 Data sheet indicates the minimum requirement of material of construction. Alternate materials as specified in Annexure 1 to this specification shall also be acceptable subject to meeting process conditions.

STANDARD SPECIFICATION FOR PRESSURE GAUGES	Doc No.	Rev	
	GAIL-STD-IN-DOC-TS-001	0	
	Page 4 of 8		


- 2.1.8 The gauge movement material shall be of stainless steel unless specified otherwise in the data sheet. It shall be adjustable for calibration without dismantling the sensor unit. The use of link for calibration of span is not permitted. Gauges shall be provided with external zero adjustment.
- 2.1.9 Vendor shall ensure that the operating pressure falls in the middle 30% of the full working range i.e. operating pressure shall fall between 35% and 65% of the range offered.
- 2.1.10 Pressure gauges with range as 0 to 100kg/cm²g and above shall have safety type solid front case. All gauges in oxygen and chlorine service shall be thoroughly degreased using reagents like trichloro-ethylene or carbon tetrachloride. All connections shall be plugged after degreasing process in order to avoid entrance of grease or oil particles.

2.2 Cases and Dials

- 2.2.1 Unless specified otherwise, the gauges shall be weather proof to IP 65 as per IEC 60529, as a minimum.
- 2.2.2 In general, dial markings and dial colour shall be as per IS 3624. Dials of gauges in oxygen service shall additionally have the word 'OXYGEN' or 'CHLORINE' written in black and 'USE NO OIL' written in red.
- 2.2.3 The gauge dial shall be made of a suitable metallic materials so that the finished dial shall be capable of withstanding a dry heat of 85°C for 10 hours and immersion in water-at 85°C for 1 hour without cracking, blistering, warping or discolouration of the dial or paint on the dial.
- 2.2.4 The pointer stops shall be provided at both ends of the scale to restrict the pointer motion beyond 5% above the maximum of scale and less than 5% below the minimum of the scale.
- 2.2.5 The dial cover shall be made out of shatter proof glass sheet of thickness 1.5 to 3mm for gauges with dial size less than 100mm while minimum 3.0mm for gauges with dial size 100mm or greater.
- 2.2.6 All gauges shall be provided with a blow out device i.e. blow out disc of aperture not less than 25mm for gauges with dial size 100mm and above, while 20mm for gauges with dial size less than 100mm.
- 2.2.7 When safety type solid front type of gauges are specified, they shall consist of a solid partition isolating the pressure element from the dial. In such gauges the total solid partition disc area shall not be less than 75% of the cross sectional area of the inside of the case surrounding the pressure element.

2.3 Diaphragm Seals

- 2.3.1 Unless otherwise indicated in purchaser's data sheets, gauges specified with diaphragm seals shall have their diaphragms integral with the gauges.
- 2.3.2 Whenever diaphragm seal gauges are specified with capillary, the size of the capillary shall be selected to ensure response time of the gauge better than 5 seconds.

STANDARD SPECIFICATION FOR PRESSURE GAUGES	Doc No.	Rev	
	GAIL-STD-IN-DOC-TS-001	0	
	Page 5 of 8		

- 2.3.3 The sealing liquid for diaphragm seal gauges shall be an inert liquid, compatible with the process fluid and its temperature. For gauges in oxygen and chlorine service, the sealing liquid shall be fluoro lube or equivalent compatible with the specified service.
- 2.3.4 For diaphragm seal pressure gauges with flanged ends, the diaphragm shall be rated for the maximum allowable pressure of the associated flange.

2.4 End Connection

- 2.4.1 Unless specified otherwise, the following shall govern;
- Threaded end connections shall be NPT as per ANSI / ASME B. 1.20.1.
 - Flanged end connection shall be as per ANSI / ASME B. 16.5
 - Ring joint flanges shall have octagonal grooves as per ANSI / ASME B16.20.
 - Flange face shall be as per clauses 6.4.4.1, 6.4.4.2 and 6.4.4.3 of ANSI / ASME B16.5.
The face finish as specified in the data sheet shall be as follows;
- | | |
|---------|-------------------|
| 125AARH | : 125 to 250 AARH |
| 63 AARH | : 32 to 63 AARH |

2.5 Performance Requirements


- 2.5.1 Unless otherwise specified, the accuracy which is inclusive of repeatability and hysteresis of pressure gauges shall meet the following performance requirements:
- Direct pressure gauge : $\pm 1\%$ of full scale
 - Chemical seal type pressure gauge : $\pm 2\%$ of full scale
 - Differential pressure gauges : $\pm 2\%$ of full scale

2.6 Accessories

- 2.6.1 Gauges shall be supplied with all accessories as specified in the data sheets pre-installed.
- 2.6.2 For flanged diaphragm seal gauges, spacer ring, isolation valve and plugs shall be provided whenever specified.
- 2.6.3 Over Range Protector (OPV)
- Whenever the maximum pressure specified in the data sheet exceeds the over range protection pressure, over range protector shall be supplied.
 - In case of pressure gauges with diaphragm seal, the over-range protector shall be installed between the seal and the gauge.
 - The material of construction of over range protector shall be same as socket material, as a material.

Snubber

- Whenever the service specified is pulsating type, snubber shall be supplied.
- The material of construction of snubber shall be same as socket material, as a minimum.

STANDARD SPECIFICATION FOR PRESSURE GAUGES	Doc No.	Rev	
	GAIL-STD-IN-DOC-TS-001	0	
	Page 6 of 8		

3.0 NAME PLATE

3.1.1 Each gauge shall have a stainless steel nameplate attached firmly to it at a visible place either by riveting or screwed to the case, furnishing the following information:

- a) Tag number as per purchaser's data sheets.
- b) Vendor's name
- c) Model number and manufacturer's serial number.
- d) Range of the instrument.
- e) MAWP and maximum vacuum rating of element

4.0 INSPECTION AND TESTING

4.1 Unless otherwise specified, purchaser reserves the right to test and inspect all the items at the vendor's works inline with the inspection test plan for pressure gauges.


4.2 Vendor shall submit following test certificates and test reports for purchaser's review:

- a) Material test report as per EN10204 clause 2.2 for wetted parts like gauge socket and sensing element
- b) Type test report for enclosure.
- c) Dimensional test report for all gauges.
- d) Performance test reports for all gauges including accuracy, repeatability, over pressure and vacuum test (as applicable)
- e) Type test reports for shock test and endurance test as per IS-3624 for each type / model.
- f) Type test report for influence of temperature for each type/model.

4.3 Witness Inspection

4.3.1 All pressure gauges shall be offered for pre dispatch inspection for following as a minimum:

- a) Physical dimensions verification and workmanship.
- b) Performance test including accuracy and repeatability, on representative samples of each type/model number before and after over-pressure and vacuum test.
- c) Over-pressure and vacuum test (as applicable) shall be carried out on representative samples of each type / model number without loss of their elastic characteristics.
- d) Review of all certificates and test reports as indicated in clause 4.2 of this specification.

STANDARD SPECIFICATION FOR PRESSURE GAUGES	Doc No.	Rev	
	GAIL-STD-IN-DOC-TS-001	0	
	Page 7 of 8		


- 4.3.2 In the event when the witness inspection is not carried out by purchaser, vendor shall anyway complete the tests and the test documents for the same shall be submitted to purchaser for scrutiny.

ANNEXURE-I

Material of Construction

S.No.	Item	Specified Material of Construction	Alternate Material of Construction
1.	Sensing Element	SS316	SS316L, SS316Ti
2.	Socket	SS316	SS316L, SS316Ti
		SS304	SS304L, SS316
3.	Case	SS 316	SS316Ti, SS316L,SS
4.	Capillary	SS	SS304, SS316, SS304L, SS316L, SS316Ti
. 5.	Diaphragm	SS316	SS316L, SS316Ti
		SS	SS 302, SS 304, SS 304L, SS316, SS316L, SS316Ti

-----X-----

STANDARD SPECIFICATION FOR PRESSURE GAUGES	Doc No.	Rev	
	GAIL-STD-IN-DOC-TS-001	0	
	Page 8 of 8		



GAIL INDIA LIMITED

**STANDARD SPECIFICATION
FOR
PRESSURE SAFETY VALVES**

GAIL-STD-IN-DOC-TS-002

Rev	Date	Purpose	Prepared By	Checked By	Approved By
0	15.01.2019	Issued As Standard	RKS	UNU	UNU




TABLE OF CONTENTS

1.0 GENERAL..... 3

2.0 DESIGN AND CONSTRUCTION 4

3.0 INSPECTION AND TESTING..... 6

STANDARD SPECIFICATION FOR PRESSURE SAFETY VALVE	Doc No.	Rev	
	GAIL-STD-IN-DOC-TS-002	0	
	Page 2 of 7		

1.0 GENERAL**1.1 Scope**

- 1.1.1 This specification, together with the data sheets attached herewith covers the requirements for the design, materials, fabrication, nameplate marking, inspection, testing and shipment of pressure Safety valves.
- 1.1.2 The related standards referred to herein and mentioned below shall be of the latest editions prior to the date of the purchaser's enquiry: -

ANSI/ASME **American National Standards Institute/American Society for Mechanical Engineers.**

B 1.20.1	Pipe Threads General Purpose (Inch).
B 16.5	Pipe Flanges and Flanged Fittings NPS 1/2" through JSr PS 24
B 16.20	Metalic Gasket for Pipe Flange
B 16.34	Valves- Flanged, Threaded and Welding End


ASME **American Society of Mechanical Engineers.**

Sec-VIII	Boiler and Pressure Vessels Code Section VIII 'Pressure Vessels'
Sec-I	Boiler and Pressure Vessels Code. Section-I 'Power Boilers'

API **American Petroleum Institute**

API 520	Sizing, Selection and Installation of Pressure Relieving Devices in Refineries.
Part I	Sizing & Selection
Part II	Installation
API 521	Guide for Pressure Relieving and Depressurizing Systems.
API 526	Flanged Steel Pressure Relief Valves
API 527	Seat Tightness of Pressure Relief Valves.
EN 10204	Inspection Documents For Metallic Products.
IBR	Indian Boiler Regulations

- 1.1.3 In the event of any conflict between this specification, data sheets, related standards, codes etc., the following order of priority shall govern:
- Statutory Regulations
 - Data Sheets
 - Standard Specification
 - Codes and Standards
- 1.1.4 In addition to compliance to purchaser's specifications in totality, vendor's extent of responsibility shall include the following;

STANDARD SPECIFICATION FOR PRESSURE SAFETY VALVE	Doc No.	Rev	
	GAIL-STD-IN-DOC-TS-002	0	
	Page 3 of 7		

- a) Technical data sheets indicate the type, size, relieving area etc. of the selected the valve. However, vendor shall be responsible to size and select the proper valve with orifice relieving area meeting the indicated operating conditions.
- b) Technical data sheets specify the minimum acceptable materials for body, bonnet, disc, nozzle, spring, bellows etc.

1.2 Drawing and Data

- 1.2.1 Detailed drawings, data, catalogues and manuals required from the vendor are indicated by the purchaser in vendor data requirement sheets.
- 1.2.2 Final documentation consisting of design data, installation manual, operation and maintenance manual etc. submitted by the vendor after placement of purchase order shall include the following as a minimum:
 - a) Specification sheet for each pressure Safety valve and its accessories
 - b) Certified drawing sheets for each pressure Safety valve and accessories, which shall provide dimensional details, internal construction details, end connection details, weight and material of construction.
 - c) Copy of type test certificates.
 - d) Copy of test certificates for all the tests indicated in clause 4.0 of this specification.
 - e) Installation procedure for Pressure Safety valve and its accessories
 - f) Calibration and maintenance procedure including replacement of internals wherever applicable.

2.0 DESIGN AND CONSTRUCTION

2.1 Valve Design

- 2.1.1 The definitions of various terminologies used in purchaser's data sheets are as per clause 1.2 of API RP 520 part 1.
- 2.1.2 Unless specified otherwise, all pressure Safety valves shall be full nozzle full lift type and all Safety valves in thermal safety application shall be modified nozzle type.
- 2.1.3 For flanged pressure Safety valves, the valve inlet and outlet size, the orifice designation and corresponding relieving area shall be as per API 526.

2.2 Valve Sizing


- 2.2.1 Sizing shall be carried out using the formulae mentioned in the following standards whenever the sizing code mentioned in the purchaser's data sheets refers to these

<u>Sizing Code</u>	<u>Standard</u>
API	API RP 520 Part I API 520 Part-II API RP 521 API 526 API 527.

- 2.2.2 Discharge Co-efficient

For all valves in gas, vapour or steam service with design code as ASME Sec VIII or ASME Section I discharge co-efficient of 0.975 as per API 520 shall be used.

- 2.2.3 For the selected orifice letter designation and inlet and outlet size of the pressure Safety valve, relieving area of the valve offered by vendor shall meet those in API-526.

STANDARD SPECIFICATION FOR PRESSURE SAFETY VALVE	Doc No.	Rev	
	GAIL-STD-IN-DOC-TS-002	0	
	Page 4 of 7		

2.3 Valve Construction

2.3.1 Body

2.3.1.1 Unless otherwise mentioned, end connection details shall be as below: -

- a) Threaded end connections shall not be used.
- b) Flanged end connections shall be as per ANSI/ASME B 16.5.
- c) Flanged face finish shall be as per ANSI/ASME B 16.5. The face finish as specified in the data sheets, shall be as follows;

125AARH	125 to 200AARH
63 AARH	32 to 63 AARH

2.3.1.2 For flanged valves, inlet and outlet sizes and ratings and centre to flange face dimensions shall be in accordance with API-526. Dimensional tolerance shall be as mentioned therein.

2.3.1.3 Body drain with a plug shall be provided as a standard feature on every pressure Safety valve.

2.3.1.4 For the pilot operated pressure safety valves, where vendor's standard model provides only semi nozzle design (i.e. the body is part of the inlet flow path), body material shall be of the same material as that of nozzle specified in purchaser's data sheets, as a minimum.

2.3.2 Trim

2.3.2.1 The term 'trim' covers all the parts of the valves exposed to and in contact with the process fluid except for the body and bonnet assembly i.e. nozzle, disc, disc holder, stem etc.

2.3.2.2 Valves shall be of the full nozzle type of design with the exception as per clause 2.3.1.4 and valves in thermal Safety application.

2.3.2.3 Wherever stelling of disc and nozzle has been specified, it stands for stelling of the seat joint and the entire disc contour, unless otherwise mentioned.

2.3.2.4 For high temperature application, the materials for the internals shall be selected to avoid galling.

2.3.2.5 Resilient seat, seals or o-rings wherever used shall be suitable for pressure and temperature conditions specified.

2.3.2.6 Gaskets wherever used shall be metallic type. Gaskets with asbestos filler or with asbestos bearing material shall not be used.

2.3.3 Bonnet and Spring

2.3.3.1 All valves shall be provided with a cap over the adjusting bolt. Cap shall be of either bolted type or screwed type as specified in the purchaser's data sheets.


2.3.3.2 Lifting lever shall be provided whenever the fluid to be relieved is steam and air or water above 65°C.

2.3.3.3 Valve spring shall be selected such that it can permit an adjustment of $\pm 5\%$ of the set pressure, as a minimum.

2.3.3.4 Carbon steel springs shall be made corrosion resistant through plating/coating as per manufacturer's standard design or as specified in the purchaser's data sheets.

2.3.3.5 The allowable tolerance in set pressures are as below:

- a) $\pm 0.14 \text{ kg/cm}^2 \text{ g}$ for set pressure upto and including $5 \text{ kg/cm}^2 \text{ g}$.

STANDARD SPECIFICATION FOR PRESSURE SAFETY VALVE	Doc No.	Rev	
	GAIL-STD-IN-DOC-TS-002	0	
	Page 5 of 7		

- b) $\pm 3\%$ for set pressure above 5kg/cm² g.

2.3.3.6 Bonnet shall be of the closed type for all process applications in general. Open type bonnet shall be used only for steam and non-hazardous/non-toxic fluids. For all steam applications under design code IBR or ASME Section-I with open bonnet design, weather protection cover shall be provided.

2.3.4 Pilot Design

2.3.4.1 For pilot operated valves, the pilot design shall be of inherently fail safe.

2.3.4.2 Unless specified otherwise, pilot shall be non-flowing type.

2.3.4.3 All accessories like back flow preventer, pilot filter etc. required for proper operation of pilot operated valves as per indicated service conditions shall be included.

2.3.4.4 Material of construction of pilot shall be same as that of main valve nozzle as a minimum.

2.3.4.5 The o-ring and diaphragm material of pilot shall be suitable for the pressure and temperature conditions specified in the data sheet.

NAMEPLATE

2.4 Each pressure Safety valve shall have a stainless steel nameplate attached firmly to it at a visible place furnishing the following information: -


- a) Tag number as per purchaser's data sheet.
- b) Manufacturer's serial number and/or model number.
- c) Manufacturer's name/trade mark.
- d) Nominal flange size in inches and rating in pounds for both inlet and outlet.
- e) Orifice letter designation.
- f) Valve set pressure.
- g) Cold bench test set pressure.

2.4.1 For the above, pressures shall be marked in the same units as those followed in purchaser's data sheets.

3.0 INSPECTION AND TESTING

3.1 Vendor shall submit the following test certificates and test reports for purchaser's review:-

- a) Material test certificate as per clause 3.1B of EN10204 for each valve body and bonnet castings/forging, nozzle and as per clause 2.2 for stem, disc etc.
- b) Certificate of radiography/X-ray for valve castings as per following requirements;
 - i) 100% radiography shall be carried out for all valve castings with body rating of 600# and above or wherever specifically indicated for in the material requisition.
 - ii) Radiography procedure shall be as per ANSI B 16.34 and acceptance criteria shall be as per ANSI B 16.34 Annexure-B. Following area of pressure Safety valve shall be radiographed unless specified otherwise.
 - Inlet flange neck
 - Outlet flange neck
 - Nozzle (in case of cast construction)
 - Body/bonnet joint neck.
- c) Dimensional, hydrostatic and functional test reports for all valves as per clause 3.2 and 3.3 of this specification.

STANDARD SPECIFICATION FOR PRESSURE SAFETY VALVE	Doc No.	Rev	
	GAIL-STD-IN-DOC-TS-002	0	
	Page 6 of 7		

d) Type test certificate for blow-off and closing down pressure.

3.2 Hydrostatic Test

3.2.1 Each Pressure Safety valve body shall undergo hydrostatic test as per outlet flange ANSI rating. However all the safety valves castings covered under IBR shall be tested as per IBR regulations. There shall not be any visible leakage during this test.

3.2.2 For full nozzle type of pressure Safety valve, nozzle shall undergo hydrostatic test as per inlet flange ANSI rating. For Semi nozzle design, valve Inlet shall be tested after assembly as per Inlet flange ANSI rating.

3.3 Functional Test

3.3.1 Cold bench set pressure test:

Pressure Safety valve shall be tested for opening at specified set pressure. Testing of pressure Safety valves shall be with air or nitrogen, testing of thermal Safety valves shall be with water.

3.3.2 Seat Leakage test

a) Whenever the specified set pressure is less than or equal to 420 kg/cm²g, the valve shall meet the seat tightness requirements specified in API RP-527. The maximum permissible leakage rates against various sizes shall be as specified therein. Whenever the specified set pressure exceeds 420 kg/cm²g, the vendor shall submit the leakage rates of valves for approval by the purchaser. Where bubble tightness has been specified, there shall be no leakage or bubbles of air at the specified percentage of set pressure.


b) Seat leakage test pressure shall be as per API RP 527 (determining the seat tightness of metal- and soft-seated pressure relief valves, including those of conventional, bellows, and pilot operated designs) except for valves under IBR or ASME Section-I design code. Safety valves. For these valves seat leakage shall be carried out at the following pressure;

i) Valves under IBR or ASME Section-I : 95% of Set Pressure

ii) Pilot operated Pressure Safety valves

- Upto 3.5 Kg/cm²G : 90% of set Pressure
- Above 3.5 Kg/cm²G : 95% of Set Pressure

-----X-----

STANDARD SPECIFICATION FOR PRESSURE SAFETY VALVE	Doc No.	Rev	
	GAIL-STD-IN-DOC-TS-002	0	
	Page 7 of 7		



GAIL INDIA LIMITED

**STANDARD SPECIFICATION
FOR
ELECTRONIC TRANSMITTERS**

GAIL-STD-IN-DOC-TS-003

Rev	Date	Purpose	Prepared By	Checked By	Approved By
0	15.01.2019	Issued As Standard	RKS	UNU	UNU




TABLE OF CONTENTS

1.0 GENERAL.....3

2.0 DESIGN AND CONSTRUCTION.....4

3.0 NAME PLATE.....12

4.0 INSPECTION AND TESTING.....12


STANDARD SPECIFICATION FOR ELECTRONIC TRANSMITTERS	Doc No.	Rev	
	GAIL-STD-IN-DOC-TS-003	0	
	Page 2 of 14		

1.0 General**1.1 Scope**

- 1.1.1 This specification, together with the data sheets attached herewith forms the requirements for the design, materials, nameplate marking, inspection, testing and shipping of electronic / pneumatic instruments.
- 1.1.2 The related standards referred to herein and mentioned below shall be of the latest editions prior to the date of the purchaser's enquiry:-

ANSI/ASME	American National Standards Institute / American Society of Mechanical Engineers
B 1.20.1	Pipe Threads General Purpose (Inch)
B 16.5	Pipe Flanges and Flanged Fittings NPS½ through NPS24
B 16.20	Metallic Gaskets for Pipe Flanges, Ring Joint, Spiral wound and Jacketed.
BS-5760	Reliability of System, Equipments and Components
EN 10204	Inspection Documents For Metallic Products
IEC-60068	Environmental Testing
IEC-60079	Electrical Apparatus for Explosive Gas Atmosphere.
IEC-60529	Classification of Degree of Protection Provided by Enclosures.
IEC-61000-4	Electromagnetic Compatibility for Industrial Process Measurement and Control Equipment.
IEC-61158	Fieldbus Standard for use in Industrial Control System
IEC-61158-2	Physical layer specification and Service definition for Field bus
IEC 61508	Functional Safety of Electrical/Electronic/Programmable Electronic Safety- related Systems.
IS-2148	Flame Proof Enclosures of Electrical Apparatus.
ISA	International Society of America
S 7.3	Quality Standard for Instrument Air
S 50.1	Compatibility of Analog Signals for Electronic Industrial Process Instruments.
ITK-x.x	Interoperability Test Kit (latest version)

- 1.1.3 In the event of any conflict between this standard specification, job specification/data sheets, Statutory regulations, related standards, codes etc. the following order of priority shall govern:
- Statutory Regulations
 - Data Sheets
 - Standard Specification
 - Codes and standards

STANDARD SPECIFICATION FOR ELECTRONIC TRANSMITTERS	Doc No.	Rev	
	GAIL-STD-IN-DOC-TS-003	0	
	Page 3 of 14		

- 1.1.4 In addition to compliance to purchaser's specifications in totality, vendor's extent of responsibility shall include the following:
- a) Purchaser's data sheets specify the minimum acceptable material of construction of body, measuring element and accessories. Alternate superior material of construction shall also be acceptable provided vendor assumes complete responsibility for the selected materials for their compatibility with the process fluid and its operating conditions.
 - b) Selection of suitable sealant liquid for diaphragm seal instruments compatible with the process fluid and its operating temperature.


1.2 Drawing and Data

- 1.2.1 Detailed drawings, data, catalogues and manuals required from the vendor are indicated by the purchaser in vendor data requirement sheets. The required number of reproducible, prints and soft copies should be dispatched to the address mentioned, adhering to the time limits indicated.
- 1.2.2 Final documentation consisting of design data, installation manual, operation and maintenance manual, etc submitted by the vendor after placement of purchase order shall include the following, as a minimum;
- a) Specification sheet for each electronic/pneumatic instrument and their accessories.
 - b) Certified drawing for each instrument, which shall provide dimensional detail, internal construction and part list, material of construction etc.
 - c) Calculations for integral orifice
 - d) Copy of type test certificates.
 - e) Copy of the test certificates of all the tests indicated in clause 4.0 of this specification.
 - f) Installation procedure for electronic/pneumatic instrument and its accessories.
 - g) Calibration and maintenance procedures including replacement of its internal parts.

2.0 DESIGN AND CONSTRUCTION

2.1 General Requirements


- 2.1.1 The type and material of construction of electronic/pneumatic instruments shall be as specified in the purchaser's data sheet.
- 2.1.2 The range of instruments shall be selected by vendor base on the set range indicated in the purchaser's data sheet. Where no set range is indicated, vendor may select the same as per the following guidelines;
- a) The set range shall be 1.1 times the maximum process value or 1.4 times the operating process value whichever is higher rounded to the nearest ten.
 - b) The set range shall preferably be in the middle third of the selected instrument range.

STANDARD SPECIFICATION FOR ELECTRONIC TRANSMITTERS	Doc No.	Rev	
	GAIL-STD-IN-DOC-TS-003	0	
	Page 4 of 14		

- 2.1.3 Except for instruments covered under clause 2.2.3.10 of this specification or specified otherwise in purchaser’s data sheets, each instrument shall have an over-range protection of at least 130% of specified range.
- 2.1.4 Measuring element in vacuum service shall have under range protection down to full vacuum, without undergoing a change in calibration or permanent set.
- 2.1.5 Unless otherwise specified, diaphragm seal instrument shall meet the following requirements;
 - a) Instruments shall have its diaphragm seal integral with the instrument and shall be supplied with adaptor flange.
 - b) When purchaser data sheets specify wafer seal type of instrument, vendor shall include supply of studs, nuts and gasket as per the materials specified in the purchaser’s data sheet.
 - c) The sealant shall be an inert liquid, compatible with the process fluid and process temperature indicated in the purchaser’s data sheets. In general, sealant shall be;
 - i) DC 704 or equivalent for all diaphragm seal instruments except for oxygen and chlorine.
 - ii) Flouro-lube or equivalent for all diaphragm seal instruments in oxygen and chlorine.

The requirement of spacer ring shall be as specified in purchaser’s data sheet. The material of construction of spacer ring shall be 316 Stainless Steel, as a minimum unless otherwise specified in the purchaser’s data sheets.

- 2.1.6 Wherever purchaser data sheet specified integral flow transmitter, vendor shall supply complete assembly consisting of integral orifice, upstream and downstream meter runs with end flanges.
 - a) Three nos. of integral orifice plates shall be supplied i.e one is installed and two are spares.
 - b) Unless otherwise specified, material of construction shall be 316 Stainless Steel for integral orifice and meter run with flanges.
- 2.1.7 The instrument enclosure shall be suitable for the area classification indicated in the purchaser's data sheets. Unless otherwise specified, the enclosure shall meet the following standards;
 - Weatherproof housing IP-65 to IEC-60529.
 - Flameproof housing Flameproof/ Ex (d) as per IEC-60079/IS-2148.
 - Flameproof housing shall also be made weatherproof.
- 2.1.8 Unless otherwise mentioned, end connection details shall be as below:-
 - a) Threaded end connections shall be to NPT as per ANSI/ASME B 1.20.1.
 - b) Flanged end connections shall be as per ANSI/ASME B 16.5.
 - c) Grooves of ring-type joint flanges shall be octagonal as per ANSI B16.20.

STANDARD SPECIFICATION FOR ELECTRONIC TRANSMITTERS	Doc No.	Rev	
	GAIL-STD-IN-DOC-TS-003	0	
	Page 5 of 14		

- d) Flanged face finish shall be as per clauses 6.4.5.1, 6.4.5.2, and 6.4.5.3 of ANSI B 16.5. The face finish as specified in the data sheets shall be as follows: -

125 AARH : 125 to 250 AARH

63 AARH : 32 to 63 AARH

- 2.1.9 All electronic / pneumatic instruments in oxygen and chlorine service shall be thoroughly degreased using reagents like trichloro-ethylene or carbon tetrachloride. End connection shall be blinded / plugged after the degreasing process in order to avoid entrance of grease or oil particles.


2.1.10 Electronic Instruments

- a. All instruments shall be of state-of-the-art technology and shall be in compliance with the electromagnetic compatibility requirements specified in IEC-61000-4 standard.
- b. Plug-in circuit boards shall be designed and manufactured such that reverse insertion or insertion of the wrong card is prevented.
- c. Electronic instruments shall generally operate on nominal voltage of 24 V DC and shall be protected against short circuit and reverse voltage. Transmission and output signal shall generally be 4 to 20 mA DC for analog and smart transmitters. The display of integral output meter shall be in engineering units for pressure, differential pressure and flow and 100% linear for level.
- d. Electronic transmitters with two-wire system shall be suitable for delivering rated current to an external loop resistance of at least 600ohm when powered with 24 V DC.
- e. Terminals for electrical connections shall be clearly identified, and polarity shall be permanently marked.
- f. Peak to peak ripple and total noise level in the analog output signal shall not exceed 0.25% of the maximum signal.
- g. Power supply, signal isolation, ripple and noise requirements shall generally be as per ISA-S 50.1.
- h. Electrical conduit entries shall have internal NPT ½” threads.

2.1.11 Pneumatic Instruments.

- a. All pneumatic connections shall be 1/4" NPT, unless otherwise specified.
- b. All threaded connections shall be internal, unless otherwise specified.
- c. The process input connections and pneumatic output and air supply connections etc. shall be permanently stamped on the body at a suitable place.
- d. Unless otherwise specified, pneumatic instruments shall operate on air supply of 1.4 kg/cm²g and shall have transmission and output signal of 0.2 to 1.0 kg/cm²g.
- e. Instrument air quality shall be as per ISA-S7.3 and shall be free from all corrosive, hazardous, flammable and toxic contaminants.

2.2 Transmitters

STANDARD SPECIFICATION FOR ELECTRONIC TRANSMITTERS	Doc No.	Rev	
	GAIL-STD-IN-DOC-TS-003	0	
	Page 6 of 14		

2.2.1 Pneumatic Transmitters


- a. Pneumatic blind transmitters shall be of the force-balance type and pneumatic indicating transmitters of the motion balance type.
- b. Transmitters shall have an accuracy of 0.5 % of span.
- c. Transmitters shall be supplied with external zero and span adjustments.

2.2.2 Electronic Analog Transmitters

- a. Electronic transmitters shall be of the two-wire dc current regulating type. They shall be provided with integral output indicator. When specified, field mounted external output meters shall be provided.
- b. Electronic analog transmitters shall have an accuracy of ± 0.075 % of span.
- c. Transmitters shall be supplied with external zero and span adjustments, Flameproof transmitters shall also have their calibration adjustment from outside, without any need to remove the cover.
- d. Unless otherwise specified, the electronic transmitters shall be certified intrinsically safe.

2.2.3 Smart and Field bus based Transmitters

- 2.2.3.1 Smart and field bus based transmitters shall be two wire microprocessor based type. These shall have a non-volatile memory, storing, complete sensor characterisation and configuration data of the transmitter. All necessary signal conversions and output generation with the required protocol shall be carried out in the transmitter electronics. Integral output meter with LCD display shall be provided for all transmitters.
- 2.2.3.2 Transmitter shall also run complete diagnostic subroutines and shall provide diagnostic alarm messages for sensor as well as transmitter healthiness. Field bus based transmitter in addition shall have facility to detect plugged impulse lines, whenever specifically indicated in purchaser's data sheets. In the event of detection failure, the output shall be driven to a predefined value, which shall be field configurable.
- 2.2.3.3 The transmitters with field bus connectivity shall have built in control algorithm like proportional, proportional-integral and proportional-integral-differential.
- 2.2.3.4 Whenever specifically indicated in purchaser's data sheets, the meter electronics shall be provided with in-built lightning and power supply surges. The transient protection shall meet the requirements specified in IEC-60587.
- 2.2.3.5 The configurational data of the instruments shall be stored in a non-volatile memory such that this remains unchanged because of power fluctuations or power off condition. In case vendor standard instrument has battery backed RAM, vendor to ensure that battery drain alarm is provided as diagnostic maintenance message.
- 2.2.3.6 Accuracy of transmitters, smart as well as field bus based, shall be as follows:

STANDARD SPECIFICATION FOR ELECTRONIC TRANSMITTERS	Doc No.	Rev	
	GAIL-STD-IN-DOC-TS-003	0	
	Page 7 of 14		

- a) For transmitter ranges of 760 mm WC and above, the accuracy shall be equal to or better than $\pm 0.075\%$ within a turndown of 1:10 of the offered span.
- b) For transmitters with ranges less than 760 mm WC the accuracy shall be equal to or better than $\pm 0.15\%$ within a turndown of 1:10 of the offered span.
- c) For all diaphragm seal transmitter with ranges 500 mm WC and above, the accuracy shall be equal to or better than $\pm 0.25\%$ within a turndown of 1:10 of the offered span.
- d) For all diaphragm seal transmitter with ranges less than 500 mm WC, the accuracy shall be equal to or better than $\pm 0.5\%$ within a turndown of 1:10 of the offered span.

The accuracy is defined as the combined effect of repeatability, linearity and hysteresis.

2.2.3.7 The stability of the transmitters shall be equal to or better than $\pm 0.1\%$ of span for a period of minimum 6 months, as a minimum.

2.2.3.8 Transmitter shall update the output at least 8 times a second unless otherwise specified.

2.2.3.9 Unless specified otherwise in purchaser's specification, transmitter response time shall be as follows:

- a) For transmitter range of 760 mm WC and above, the response time shall be equal to or 1 second. The response time of the transmitter shall be considered as the sum of dead time and 63.2% step response time of the transmitter.


2.2.3.10 Unless specified otherwise, the over-range/static pressure protection of the transmitter shall be as follows;

- a) For transmitter range between 1 kg/cm²g and 100kg, the over range/static pressure shall be 130 kg cm²g.
- b) For transmitter with ranges of 100 kg/ cm²g and above, the over-range/static pressure shall be 210 kg/cm²g or 130% of maximum range whichever is higher.
- c) For transmitter range between 0.5 kg/cm²g to 1.0 kg/ cm²g, the over pressure/static pressure shall be 70kg/cm²g.
- d) For transmitters with ranges between 1000mm WC to 5000mm WC, the over-range/static pressure shall be 35kg/cm²g.
- e) For transmitter with ranges less than 1000mm WC, over-range/static pressure shall be 1.0kg/cm²g.

2.2.3.11 In the transmitter, the 'WRITE' option shall be protected through password.

2.2.3.12 Temperature transmitters shall meet the following requirements as a minimum:

- a) Temperature transmitter shall be universal type and shall be able to accept input from resistance temperature detector (RTD) or thermocouple (T/C) of any type and range.
- b) Temperature transmitters shall be freely programmable i.e. element type and range shall be programmable without any change in hardware / software.
- c) Temperature transmitter shall be remote mounted type, in general. Head mounted transmitters shall be supplied when specifically indicated in purchaser's data sheets.

STANDARD SPECIFICATION FOR ELECTRONIC TRANSMITTERS	Doc No.	Rev	
	GAIL-STD-IN-DOC-TS-003	0	
	Page 8 of 14		

- d) The accuracy of the temperature transmitter with RTD element shall be as follows:
- For temperature range above 350°C, the accuracy shall be equal to or better than $\pm 0.075\%$ of full scale.
 - For temperature range with ranges between 350°C to 150°C, the accuracy shall be equal to or better than $\pm 0.15\%$ of full scale.
 - For temperature range below 150°C, the accuracy shall be equal to or better than $\pm 0.2\%$ of full scale.
- e) The accuracy of temperature transmitter with cold junction compensation for Thermocouple element shall be as follows;
- For temperature above 350°C, accuracy shall be $\pm 0.25\%$ of range.
 - For temperature between 150°C to 350°C. accuracy shall be $\pm 0.5\%$ of range.

2.2.3.13 When HART protocol is specified, the following features must be ensured;


- a) It shall allow multi masters (two for example, primary and secondary) for configuration, calibration, diagnostics and maintenance. The primary could be the control system or host computer and the secondary could be the hand-held communicator.
- b) It shall be capable of implementing universal commands from either of these locations.

2.2.3.14 In addition to the requirements specified above, field bus based transmitter shall meet the following requirements;

- a) All instruments must satisfy the requirements of the field bus registration laboratory with applicable checkmark like foundation field bus, profibus PA, or as specified in the purchaser's data sheets.
- b) All instruments shall have two analog input blocks, as a minimum. In addition, when specified the transmitter shall also have PID controller block.
- c) All instruments must be interoperable and shall have valid interoperability test clearance like ITK latest version for foundation field bus or equivalent for profibus PA, as applicable.
- d) The field bus instruments shall support peer to peer communication.
- e) Field bus instruments as offered shall not be polarity sensitive.
- f) The field bus instruments in hazardous area shall be certified as per entity concept or shall be FISCO approved as per the requirements specified in the purchaser's specification.

2.3 Receivers

- a) Pneumatic/electrical cables shall be such that they permit the instrument internals to be drawn from its normal mounting position without affecting operation. Pneumatic connection points shall seal automatically upon disconnection.

STANDARD SPECIFICATION FOR ELECTRONIC TRANSMITTERS	Doc No.	Rev	
	GAIL-STD-IN-DOC-TS-003	0	
	Page 9 of 14		

- b.. Electronic receivers shall be suitable for standard voltage inputs of 0.25 to 1.25 V, 1 to 5 V, 0 to 10 V dc. Any voltage receiver shall not alter the voltage drop across the conditioning resistor by more than $\pm 0.1\%$ of input range of maximum input voltage.
- c. Recorder pens shall be easily replaceable. Each recorder shall be supplied with chart-rolls and ink for six months continuous operation


2.4 Controllers

- i. Automatic control stations including dedicated cascade control stations shall have switches to transfer control from automatic to manual mode and vice-versa. The transfer shall be procedureless and shall not produce any bump in the process under control during such a transfer, the output signal shall not change by more than 1% of span.
- ii. Cascade control stations shall have a switch to select local or remote set point.
- iii. The control settings of the controller shall be readily adjustable from the front.
- iv. Controller action shall be easily reversible.
- v. Pneumatic automatic controller shall be easily removable, without disturbing the manual control mechanism.
- vi. Electronic controller shall be easily removable, with the aid of a service station.
- vii. Local mounted pneumatic controllers shall be supplied with gauges for air supply pressure and control signal. The gauges shall be integral with the instrument.

2.5 Accessories

2.5.1 Field HART Communicator:

- 2.5.1.1 It shall be possible to perform routine configuration, calibration, display process variable, diagnostics etc. from a hand held portable communicator, which can be connected at any location in the transmitter loop. It shall be possible to perform all the above functions online. The loop function shall remain unaffected while communication is going on between transmitter and the field communicator.
- 2.5.1.2 There should be no interruption on the output while communicating with the transmitter.
- 2.5.1.3 Field communicator shall meet the following requirements:
- a) Hand Held communicator shall be universal type and shall be compatible with all make and models of HART transmitters, Smart positioners, instruments with all engineering capability like calibration, diagnostics, configuration, inhibition of HART signal, etc.
 - b) It shall be possible to connect the communicator at any of the following locations for purpose of digital communication;
 - i) Marshalling cabinet serving the transmitter, in safe area.
 - ii) Junction box serving the transmitter, in hazardous area.

STANDARD SPECIFICATION FOR ELECTRONIC TRANSMITTERS	Doc No.	Rev	
	GAIL-STD-IN-DOC-TS-003	0	
	Page 10 of 14		

- iii) Directly at the transmitter, in hazardous area. Plug-in type connections shall be provided with field communicator. Necessary interconnection shall be supplied by the vendor.
- c) Offered communicator shall be dust-proof, certified intrinsically safe and suitable for outdoor location. Carrying case shall be supplied with each communicator.
- d) When specified in data sheets, the software shall also be capable of configuring other makes of transmitters.
- e) They shall be battery powered with replaceable and rechargeable batteries.

2.5.2 Field Bus Tester

- I. The field bus testers shall be able to determine the ability of the field bus wiring to carry field bus signals. The field bus tester shall be capable of testing both signal and resistance of
- II. There shall not be any interruption on the output while communicating with the field bus devices.
- III. The field bus tester shall meet all the requirements as specified in clause 2.6.3 (b), (c), (d) and (e)

2.5.3 Field Bus Configurator

The field bus configurator shall be centralised device like personal computer with hardware and software for configuration and maintenance of field bus instrument.

2.5.4 Remote Output Meter


- a. Remote output meter shall be electronic with LCD display. The display shall be in actual engineering units.
- b. The indicator electronic shall be able to perform square root extraction for flow measurement.
- c. Offered indicators shall be certified Intrinsically safe, when used in hazardous area.
- d. Power supply shall be loop powered with smart transmitter, unless otherwise specified.
- e. Fieldbus based field indicator shall be able to indicate all signals available in the fieldbus segment, selectively.

2.5.5 **Remote mounted** instruments shall be supplied with mounting bracket, U-bolt and nuts suitable for mounting the instruments on a 50 mm (nominal bore) pipe stanchion (horizontal or vertical).

2.5.6 Air set

Air set, where provided, shall be a combination air filter regulator set with 5-micron filter cartridge. It shall have a 50 mm diameter pressure gauge to indicate the regulated pressure.

Each air set shall be supplied with mounting bracket and bolts with nuts for surface mounting.

STANDARD SPECIFICATION FOR ELECTRONIC TRANSMITTERS	Doc No.	Rev	
	GAIL-STD-IN-DOC-TS-003	0	
	Page 11 of 14		

2.5.7 Battery charger

Battery charger shall be supplied with all necessary accessories and shall operate at 230V $\pm 10\%$, 50Hz ± 3 Hz, unless otherwise specified.

3.0 NAMEPLATE

3.1 Each flush panel mounted instrument shall have the following information identified in the front:-

- a) Tag number as per purchaser's data sheet.
- b) Reading coefficient, if any
- c) Pen colour, tag number-wise in the case of recorders.
- d) Each flush panel mounted instrument shall have a back nameplate permanently fixed to it at a visible place reporting the following information:
 - e) Manufacturer's serial number or model number.
 - f) Manufacturer's name/trade mark.

3.2 Surface mounted instruments need be provided with only one nameplate.

Local mounted instruments shall have a stainless steel nameplate attached firmly to it at a visible place, furnishing the following information:


- a) Tag number as per purchaser's data sheets.
- b) Manufacturer's serial number and /or model number
- c) Manufacturer's name/trade mark.
- d) Body material.
- e) Measuring element material.
- f) Range of measurement.
- g) Area classification in which the equipment can be used, this shall be to the same code as per purchaser's data sheets.

4.0 INSPECTION AND TESTING

4.1 Unless otherwise specified, purchaser reserves the right to test and inspect all the items at the vendor's works in line with the inspection test plan for electronic/pneumatic instruments.

4.2 Vendor shall submit the following test certificates and test reports for purchaser's review: -

- a) Material test report as per clause 3.1B of EN 10204 for body, flanges and spacer rings for all transmitters and diaphragm seal transmitters
- b) Material test report as per clause 2.2 of EN 10204 for sensing element
- c) Hydrostatic test report as per clause 4.3.

STANDARD SPECIFICATION FOR ELECTRONIC TRANSMITTERS	Doc No.	Rev	
	GAIL-STD-IN-DOC-TS-003	0	
	Page 12 of 14		

- d) Functional and calibration report for each instrument including accuracy, linearity, hysteresis and repeatability.
- e) Performance test report as per clause 4.4.
- f) Response time of smart and fieldbus transmitters
- g) Capability of smart and field bus based transmitters to accept multimasters for configuration, calibration, diagnostics and maintenance.
- h) Configuration, calibration and diagnostics check through hand held configurator / field bus tester for smart and field bus based instruments.
- i) Configuration, calibration and diagnostics check through field bus configurator for field bus based instruments.
- j) Interoperability test certificate as per clause 2.2.3.14c) for fieldbus transmitters
- k) Certificate from statutory body for intrinsic safety/flameproof enclosures.
- l) Functional test report for fieldbus tester

4.3 Hydrostatic Test


- 4.3.1 All transmitters shall be hydrostatically tested at static pressure as per clause 2.2.3.10 for a period of minimum 1 minute. After this test the transmitter shall not undergo a permanent set from the original calibration.

4.4 Performance Test

- 4.4.1 All instruments shall meet the Accuracy performance characteristics stated in clause 2.2.3.6 after the instruments have been subjected to the following over-range conditions: -
- a) An air supply pressure of 2kg/cm²g for all pneumatic instruments.
 - b) Differential pressure transmitters subjected to a differential pressure in either direction equal to the manufacturer's pressure rating of the body.


4.5 Witness Inspection

- 4.5.1 Vendor shall offer all items for pre-dispatch inspection. Following tests/checks shall be carried out, as a minimum: -
- a) Physical dimensional checks and workmanship.
 - b) Hydrostatic testing as per clause 4.3 of this specification on representative sample.
 - c) Performance testing as per clause 4.4 of this specification on representative sample.
 - d) Functional and calibration check on representative samples.
 - e) Effect of power supply/air supply variation and load driving capability check on representative samples.
 - f) Response time check on representative samples for smart and fieldbus transmitters

STANDARD SPECIFICATION FOR ELECTRONIC TRANSMITTERS	Doc No.	Rev	
	GAIL-STD-IN-DOC-TS-003	0	
	Page 13 of 14		

- g) Capability of smart and field bus based transmitters to accept multimasters for configuration, calibration, diagnostics and maintenance.
- h) Configuration, calibration and diagnostics check through hand held configurator /field bus tester for smart and field bus based instruments.
- i) Configuration, calibration and diagnostics check through field bus configurator for field bus based instruments.
- j) Review of all certificates and test reports as indicated in clause 4.2 of this specification.
 - a. Functional checks on fieldbus tester.

-----X-----

STANDARD SPECIFICATION FOR ELECTRONIC TRANSMITTERS	Doc No.	Rev	
	GAIL-STD-IN-DOC-TS-003	0	
	Page 14 of 14		



GAIL INDIA LIMITED

**STANDARD SPECIFICATION
FOR
RTD AND THERMOWELLS
GAIL-STD-IN-DOC-TS-004**

Rev	Date	Purpose	Prepared By	Checked By	Approved By
0	15.01.2019	Issued As Standard	RKS	UNU	UNU



TABLE OF CONTENT


1.0 INTRODUCTION..... 3

2.0 DESIGN AND CONSTRUCTION 4

3.0 NAME PLATE..... 5

4.0 INSPECTION AND TESTING..... 5

5.0 MATERIAL OF CONSTRUCTION 6

STANDARD SPECIFICATION FOR RTD AND THERMOWELLS	Doc No.	Rev	
	GAIL-STD-IN-DOC-TS-004	0	
	Page 2 of 6		

1.0 INTRODUCTION

1.1 Scope

1.1.1 This specification, together with the data sheets attached herewith covers the requirements for the design, materials, nameplate marking, inspection, testing and shipping of thermo-couples, RTDs and thermowell.

1.1.2 The related, standards referred to herein and mentioned below shall be of the latest editions prior to the date of the purchaser's enquiry:-


ANSI/ASME	B 16.5	Pipe Flanges & Flanged Fittings
ANSI/ASME	B 16.20	Metallic Gaskets for Pipe Flanges
	B 1.20.1	Pipe Threads General Purpose (Inch)
	B16.34	Valves Flanged, Threaded and Welding End
	Sec-VIII	Boiler & Pressure vessel code rules for construction of Pressure vessels
API		American Petroleum Institute
RP 551		Recommended Practice 551 -Process Measurement Instrumentation.
PTC 19.3 TW 2016		Performance Test Code-Temperature measurement Inspection Documents For Metallic Products.
IEC -60079		Electrical Apparatus for Explosive Gas Atmosphere
IEC 60529		Degree of protection provided by enclosures (IP)
IEC 60751		Industrial platinum resistance thermometers and platinum temperature
IEC 60854-2		Thermocouple Tolerances.
IS-2148		ELECTRICAL APPARATUS FOR EXPLOSIVE GAS ATMOSPHERES- FLAMEPROOF ENCLOSURES "d"
IS-7358		Specifications for Thermocouples
ISA		International Society of Automation
MC 96.1		Minerals Insulated Thermocouple

1.1.3 In the event of any conflict between this standard specification, job specification, datasheets, statutory regulations, related standards, codes etc. the following order of priority shall govern:

- a) Statutory Regulations
- b) Data Sheets
- c) Standard Specification
- d) Codes and Standards

1.1.4 In addition to compliance to purchaser's specifications, vendor's extent of responsibility shall include the following:

- a) Data sheets indicate the minimum acceptable material of construction for sensing element, thermowell etc. Alternate superior material of construction shall also be acceptable provided vendor assumes complete responsibility for the selected materials for their compatibility with the specified fluid and its operating conditions.
- b) Vendor shall carry out the vibration analysis of thermowell as per ASME PTC 19.3 standard

STANDARD SPECIFICATION FOR RTD AND THERMOWELLS	Doc No.	Rev	
	GAIL-STD-IN-DOC-TS-004	0	
	Page 3 of 6		

and shall provide suitable design for the thermowells wherever necessary.


2.0 DESIGN AND CONSTRUCTION

2.1 Resistance Temperature Detectors

- 2.1.1 The type of RTD shall be as specified in purchaser's data sheet. In general RTD shall be 4 wire, Class A type with platinum element having 100 ohms resistance at 0°C, selected for temperature range of (-) 200 to 650°C.
- 2.1.2 The element shall be of highly refined material of reference grade and shall have been stress relieved. RTD calibration shall be as per IEC-60751.
- 2.1.3 The wire shall be wound on a ceramic core and immobilised against strain or damage. The winding shall be of bifilar type. The leads shall be copper up to terminal block.
- 2.1.4 The element shall be within a metal sheath, in a manner which provides good thermal transfer and protection against moisture. The sheath material shall be 316 Stainless Steel, unless otherwise specified.
- 2.1.5 The RTD assemblies shall be furnished with threaded heads. The heads shall consist of a case, screwed on cover and terminal block. The RTD shall be screwed to the terminal block. Separate screw shall be provided on the terminal block for terminating the incoming cable. There shall be an extra terminal in the terminal block connected to the head for grounding the shield.
- 2.1.6 The case shall be suitable for mounting terminal blocks for single or duplex type RTD element assemblies. The connecting terminals shall be properly numbered and shall be permanently and legibly identified.
- 2.1.7 The RTD assemblies shall be spring loaded.
- 2.1.8 A heat resistant and moisture proof gasket shall be fitted between the case and cover. The head support chain (between case and cover) shall be of stainless steel.
- 2.1.9 Unless otherwise specified, the assembly shall conform to the following standards:
- a) The heads shall be weather proof to IP-65 as per IEC-60529.
 - b) In case of flame proof construction, heads shall be flame proof as per IS-60079/IS-2148 & weather proof to IP-65 as per IEC-60529/IS-13947.

2.2 Thermowells

- 2.2.1 Unless otherwise specified, the thermowell material shall be 316 Stainless Steel, as a minimum.
- 2.2.2 Thermowells with immersion length up to 500 mm shall be machined out of forged bar-stock. Built-up thermowell with welded wall construction shall be acceptable for immersion length of greater than 500 mm, unless specified otherwise in purchaser's datasheet.
- 2.2.3 Thermowell flange material and rating shall be as specified in the data sheet.
- 2.2.4 All thermowell weld joints shall be full penetration weld type only.
- 2.2.5 Thermowell immersion length shall be as specified in purchaser's data sheet. Where immersion length is not specified in purchaser's data sheet, following shall govern:

STANDARD SPECIFICATION FOR RTD AND THERMOWELLS	Doc No.	Rev	
	GAIL-STD-IN-DOC-TS-004	0	
	Page 4 of 6		

<u>Line Size</u>	<u>Immersion length</u>
Up to 6"	280 mm
8" and above	320 mm
Equipments	400 mm

The immersion length of built-up thermowells shall be as per actual requirements.

2.2.6 Tip thickness of Thermowell shall be minimum 9 MM.

2.2.7 Unless otherwise specified, the following shall govern:

- a) Threaded end connections shall be NPT as per ANSI/ASME B 1.20.1
- b) Flanged end connections shall be to ANSI/ASME B 16.5
- c) Where ring type joint flanges shall have been specified, groove shall be suitable for octagonal rings as per ANSI/ASME B 16.20.
- d) Flange face finish shall be as per clauses 6.4.5.1, 6.4.5.2 and 6.4.5.3 to ANSI/ASME B 16.5. The face finish as specified in the datasheets, shall be as follows:

125AARH	:	125 to 250AARH
63 ARH	:	32 to 63 AARH

2.2.8 All the thermowells in oxygen and chlorine service shall be thoroughly degreased using reagents like trichloro-ethylene or carbon tetrachloride.

3.0 NAME PLATE

3.1 Thermowell

3.1.1 The following information shall be punched on the extension of the thermowell:

- a) Tag number as per purchaser's data sheets.
- b) Thermowell material as per purchaser's data sheets.
- c) Thermowell immersion length TJ'.


3.1.2 The following information shall be punched on the thermowell flange at a visible place:

- a) Nominal flange size in inches and rating in pounds.
- b) Flange material as per purchaser's data sheets.

4.0 INSPECTION AND TESTING

4.1 Vendor shall submit following test certificates and test reports for purchasers review.

- a) Material test certificate as per clause 3.2 of EN 10204 for thermowells and flanges and as per clause 2.2 for RTDs.
- b) Dimensional test report.
- c) For instruments with rating of 600# and above, certificate of radiography / X-ray for welded joints. Dye penetration test certificate shall be provided for joints where Radiograph / X-ray is not possible.
- d) Certificate for concentricity of bore.

STANDARD SPECIFICATION FOR RTD AND THERMOWELLS	Doc No.	Rev	
	GAIL-STD-IN-DOC-TS-004	0	
	Page 5 of 6		

- e) Hydrostatic test report as per clause 4.2 of this specification.
- f) Calibration report for RTD's.
- g) Certificate from any statutory authority for explosion proof and weatherproof
- h) Construction of RTD's head as applicable.

4.2 Hydrostatic Test

4.2.1 Each thermowell made of bar stock or built-up type shall be subjected to hydrostatic test for a time period of 20 minutes at the following pressures:


- a) Inside of the well at 100 kg/cm² upto 600# flange rating and at 200 kg/cm² above 600# or up to flange rating whichever is higher
- b) Outside of the well as per ANSI flange rating.

During and after the hydrostatic test, the thermowell shall not show any leaks or rupture.

5.0 MATERIAL OF CONSTRUCTION

SNo	Item	Specified Material of Construction
	Thermowell	SS316

-----X-----

STANDARD SPECIFICATION FOR RTD AND THERMOWELLS	Doc No.	Rev	
	GAIL-STD-IN-DOC-TS-004	0	
	Page 6 of 6		



GAIL INDIA LIMITED

**STANDARD SPECIFICATION
FOR
INSTRUMENT CABLES**

GAIL-STD-IN-DOC-TS-005

Rev	Date	Purpose	Prepared By	Checked By	Approved By
0	15.01.2019	Issued As Standard	RKS	UNU	UNU




TABLE OF CONTENTS

1.0 GENERAL.....3

2.0 DESIGN AND CONSTRUCTION.....4


3.0 NAME PLATE.....8

4.0 INSPECTION AND TESTING.....8

STANDARD SPECIFICATION FOR INSTRUMENT CABLES	Doc No.	Rev	
	GAIL-STD-IN-DOC-TS-005	0	
	Page 2 of 10		

1.0 GENERAL**1.1 Scope**

- 1.1.1 This specification, together with the data sheets attached herewith covers the requirements for design, materials, manufacturing, inspection, testing and shipping of signal cables.
- 1.1.2 Cables shall comply with latest edition of the following standards prior to the date of the purchaser's enquiry.
- | | |
|-----------------|--|
| ASTM D 2843 | Standard Test Method for Density of Smoke from the Burning or Decomposition of Plastics. |
| ASTM D 2863 | Test method for measuring the minimum oxygen concentration to support candle like combustion of plastics (oxygen index). |
| BS-5308 Part 1 | Specification for Polyethylene insulated cables. |
| BS-5308 Part 2 | Specification for PVC insulated cables. |
| IEC: 540 & 540A | Test methods for insulation and sheaths of electric Cables |
| IEC60584-3 | Extension and compensating cables - Tolerances and identification system. |
| IEC-60331 | Testing of Fire Resistant cables. |
| IEC-60332 | Tests on bunched wires and cables |
| .IEC-60092 | Electrical Installations of Cables. |
| IEC – 60574 | Test on Gases Evolved during Combustion of materials from Cables - Part 1,2. |
| IS-1554 | PVC insulated (heavy duty) electric cables-working voltage up to and including 1100 V. |
| IS-3975 | Mild steel wires, formed wires and tapes for armouring of cables. |
| IS-5831 | PVC insulation and sheath of electric cables. |
| IS-6380 | Elastomeric insulation and sheath of electric cables |
| IS-6474 | Polyethelene Insulation and sheath of electric cables |
| IS-10810 | Method of test for cables. |
| Part 40 | Method for testing uniformity of coating on zinc coated articles. |
| Part 41 | Mass of zinc coating on steel armour |
| Part 58 | Oxygen Index test |
| Part 59 | Determination of halogen acid gas evolved during combustion of polymeric material taken from cables |
| Part 61 | Flame Retardant test |
| Part 62 | Flame Retardance test for bunched cables |
| Part 63 | Smoke density of electric cables under fire conditions |
- 1.1.3 In the event of any conflict between this standard specification, data sheets, statutory regulations, related standards, codes etc., the following order of priority shall govern:

STANDARD SPECIFICATION FOR INSTRUMENT CABLES	Doc No.	Rev	
	GAIL-STD-IN-DOC-TS-005	0	
	Page 3 of 10		

- a) Statutory Regulations
- b) Data Sheets
- c) Standard Specification
- d) Codes and Standards


1.3 Drawings and Data

- 1.3.1 Detailed drawings, data and catalogues required from the vendor are indicated by the purchaser in the vendor data requirement sheets. The required number of reproducible, prints and soft copies should be dispatched to the address mentioned, adhering to time limits indicated.
- 1.3.2 Final documentation consisting of design and constructional data submitted by the vendor after placement of order shall include the following, as a minimum.
- a) Specification sheet for each type of cable.
 - b) Cable details giving electrical characteristics, overall diameter, diameter under armour and diameter over armour

2.0 DESIGN AND CONSTRUCTION

2.1 Constructional requirements:

- 2.1.1 Cable shall be Flame Retardant Low Smoke Type.
- 2.1.2 Voltage Class of cables shall be 1100 V.
- 2.1.3 Primary insulation for PVC insulated cables, shall be 85°C polyvinyl chloride Type C as per IS 5831. Thickness of primary insulation shall be 0.5 mm as a minimum. For PE insulated cables, primary insulation shall be of 70° C Polyethylene.
- 2.1.4 Inner sheath colour of signal cables shall be black. Outer sheath colour shall also be black except for cables used in intrinsically safe systems. The outer sheath colour for all such cables used in intrinsically safe application shall be light blue. The thickness of the sheath shall be as per IS 1554. part 1.
- 2.1.5 Inner and outer sheath of cable shall be Flame Retardant Low Smoke made of extruded PVC Type ST2 (90°C) as per IS 5831 and shall meet the following requirements:
- a) Minimum Oxygen index of PVC shall be 30 at 27 °C \pm 2°C.
 - b) Temperature index shall be over 250 °C.
 - c) Inner and Outer sheath shall meet flame retardant requirements for bunched cables as per IS 10810 (Part 62) category AF or IEC 60332 category A.
 - d) A rip cord shall be provided for inner sheath.
 - e) Outer sheath shall be suitable for protecting the cable against rodent and termite attack.

STANDARD SPECIFICATION FOR INSTRUMENT CABLES	Doc No.	Rev	
	GAIL-STD-IN-DOC-TS-005	0	
	Page 4 of 10		


- 2.1.6 Armour over inner sheath shall be of galvanised steel wire/flat. The dimensions of armour shall be as per IS 1554 (Part 1). Requirement and methods of tests for armour material and uniformity of galvanisation shall be as per IS 3975 and IS 10810 (Part 40) respectively.
- 2.1.7 Each pair/triad shall be shielded. Shield shall be of aluminium backed by mylar / polyester tape bonded together helically applied with metallic side down having 25% overlap on either side and 100% coverage. Minimum shield thickness shall be 0.05 mm. Drain wire shall be 0.5 mm² multi-strand bare tinned annealed copper conductor. The drain wire shall be in continuous contact with aluminium side of the shield.
- 2.1.8 Overall shield shall be of aluminium backed up by mylar/polyester tape helically applied with the metallic side down with either side having 25% overlap and 100% coverage. Minimum shield thickness shall be 0.075 mm. Drain wire shall be similar to individual pair/triad drain wire and shall be over the overall shield.
- 2.1.9 The cores of a pair triad shall be twisted with a minimum of 10 twists per metre of cable.
- 2.1.10 Sequential marking of the length of the cable in meters shall be provided on the outer sheath at every one meter. The embossing /engraving shall be legible and indelible.
- 2.1.11 Tolerance in overall diameter of cable shall be within ± 2 mm over offered value.
- 2.1.12 The cables used in installations under the jurisdiction of Director General of Mines and Safety (DGMS) shall meet all requirements of DGMS. The word "Mining Cable" shall be embossed on the cable outer sheath as per IS 1554 (Part 1).
- 2.1.13 Tinning process shall be performed over cable conductor.

2.1.14 Drum length and length tolerance

- 2.1.14.1 The length of the cables in each drum (drum length) shall be as specified in the purchaser data sheets .Where no drum length is indicated in the data sheet /material requisition, the following shall be apply:
- Drum length for single pair/ single triad cable : 500 metres
- Drum length for multi-pair/ multi- triad cable : 1000 metres
- 2.1.14.2 Actual produced drum length shall not vary by more than $\pm 5\%$ from the length indicated in purchaser's datasheet or clause 2.1.14.1 of the specification

Tolerance over the total ordered length for a type of cable shall be as follows;

- a) $\pm 5\%$ for total length less than 5 km.
- b) $\pm 2\%$ for total length more than 5 km.


STANDARD SPECIFICATION FOR INSTRUMENT CABLES	Doc No.	Rev	
	GAIL-STD-IN-DOC-TS-005	0	
	Page 5 of 10		

2.1.15 Specific Requirements for fire resistant cable.

- a. The cables shall have circuit integrity as per IEC 60331.
- b. Primary insulation shall be heat resisting elastomeric which can withstand temperature up to 90°C such as silicon rubber/mica glass tape/EPR (medium grade) as per IS 6380. Insulation thickness shall be 1.0mm minimum and shall confirm to IEC 60092.
- c. A wrapping of tape made of PETP (polyethylene terephthalate) /woven glass shall be provided over core insulation.
- d. Individual pair triad shall be shielded. The shield shall be aluminium backed by glass mica / PETP tape with the metallic side down helically applied with 25% overlap on either side and 100% coverage. Minimum shield thickness shall be as per IEC 60092. Drain wire shall be 0.5mm² (7/0.3mm dia). Multi-stranded bare tinned annealed copper conductor. Drain wire shall be in continuous contact with aluminium side of the shield.
- e. Inner and outer sheath shall be made of low smoke, heat resistant, oil resistant and flame retardant material with oxygen index over 30, temperature index shall be over 250°C. Acid generation shall be maximum 20% by weight as per IEC 60754. Smoke density rating not to exceed 60% as per ASTM D 2843.
- f. The thickness of the sheath shall be as per IEC 60092. Inner and outer sheath colour shall be orange. A rip cord shall be provided for inner sheath.
- g. Armour bedding over inner sheath shall be of special high oxygen index, low smoke halogen free fire resisting compound.

2.2 Electrical Characteristics

- a. Maximum DC resistance of the conductor of the finished cable shall not exceed 12.3 Ω / km at 20°C for cables with 1.5 mm² conductors and 39.7 Ω / km at 20°C for cables with 0.5 mm² conductors.
- b. Mutual Capacitance for PVC Insulated cables. The mutual capacitance of between pairs/triads or adjacent cores shall not exceed of 250 pF / metre at a frequency of 1 KHz.
- c. Mutual Capacitance for PE Insulated cables. The mutual capacitance between the pairs/triads shall not exceed of 100 pF / metre at a frequency of 1 KHz.
- d. Capacitance between any core or screen. The capacitance between any core and screen shall not exceed a maximum of 400 pF / meter at a frequency of 1 KHz.
- e. L/R ratio of adjacent core shall not exceed 40 uH / Ω.for cables with 1.5 mm² conductors and 25 micro H / Ω for cables with 0.5 mm² conductors.
- f. The drain wire resistance including shield shall not exceed 30 Ω. / km.
- g. Electrostatic noise rejection ratio of the finished cable shall be over 76 dB.

STANDARD SPECIFICATION FOR INSTRUMENT CABLES	Doc No.	Rev	
	GAIL-STD-IN-DOC-TS-005	0	
	Page 6 of 10		

2.3 Type I (Single pair / Triad shielded).

- a. Each core shall be 1.5 mm² made of 7 stranded annealed tinned electrolytic copper conductor. Each strand shall be 0.53 mm dia.
- b. Colour of core insulation shall be black and blue in pair and black, blue and brown in a triad.
- c. All other specifications shall be as per clauses 2.1. and 2.2 of this specification.

2.4 Type-II (Multi-pair / Multi-triad cable with individual pair / triad shield and overall shield)

- a. Conductor sizes shall be 0.5mm² made up of 7 strands of annealed tinned electrolytic copper conductor. Each strand shall be of 0.3 mm diameter. Tinned conductor copper wire.
- b. Overall twist of all pair / triads shall be as per vendor's standard.
- c. A pair of communication wire shall be provided for multipair / multitriad cables. Each wire shall be 0.5 mm² of plain annealed single or multistrand copper conductor with 0.4 mm thick 85°C PVC insulation. Insulation shall be green and red colour coded.
- d. A pair identification shall be with numbers at interval of not more than 250 mm.
- e. All other specifications shall be as per clauses 2.1. and 2.2 of this specification.

2.5 Type-III (Multi-pair / Multi-triad cable with only overall shield)

The cable shall be same as type-II cable, except that the individual pair/triad shall not have shielding.

2.6 Type-IV (Multi-pair / Multi-triad cable with individual pair shield and overall shield)

The cable shall be same as Type II, except conductor size shall be 1.5 mm² made of 7 stranded annealed tinned electrolytic copper conductor. Each strand shall be of 0.53 mm dia.


2.7 Type-V (Multi-pair / Multi-triad cable with overall shield only)

The cable shall be same as type IV except that the individual pair/triad shall not have the shielding.

2.8 Wiring Coding

The wiring shall be marked by colour code to differentiate the signal level/type according to the following table:

Function	Wire Colour	Outer Jacket Colour
FF signals	Orange (+) / Blue (-)	Orange
Signals for DCS	Black (+) / White (-)	Grey
Signals for ESD/FGS	Black (+) / White (-)	Red
Intrinsically safe signals	Black (+) / White (-)	Blue
Thermocouple signals	Green (+) / White (-)	Green
AC power	Brown (Ph) / Blue (Ne)	Black
DC power	Red (+) / Black (-)	Black
Safety earth	-	Green/Yellow

STANDARD SPECIFICATION FOR INSTRUMENT CABLES	Doc No.	Rev	
	GAIL-STD-IN-DOC-TS-005	0	
	Page 7 of 10		

Instrument earth	-	Black outer, Green/Yellow sheath
------------------	---	----------------------------------

3.0 NAMEPLATE

3.1 Each cable drum shall be marked with the following information at a visible place;

- a) Manufacturer's name
- b) Type and size of the cable with cable indicated in material requisition.
- c) Length of the cable in meters contained in the drum.
- d) Gross weight
- e) Drum number
- f) Direction of rotation of drum for unwinding by means of an arrow.
- g) Purchase order number.

4.0 INSPECTION AND TESTING

4.1 Unless otherwise specified purchaser reserves the right to test and inspect all the items at the vendors work in line with the inspection test plan for signal cables..

4.2 Vendor shall furnish raw material test certificates for conductor, PVC / PE etc to prove the quality and composition of the materials used for manufacturing the cable to the satisfaction of purchaser or their authorised representative during various stages of expediting and inspection.

4.3 Type test, routine test and acceptance tests shall be carried out as per relevant Indian Standard (IS), unless specified otherwise.


4.4 Type Test

4.4.1 Certificates from third party or purchaser's authorised representative for the following shall be furnished by vendor for cables similar to those being offered ;

- a) Flame retardant test on bunched cables.
- b) Electrostatic noise rejection test
- c) Fire resistance test

4.4.2 Vendor shall submit the following test certificates and test reports as per IS 10810 for each batch for purchaser's review:

- a) Physical tests for insulation and outer sheath as given below as minimum:
 - i) Tensile strength and elongation at break
 - ii) Ageing in air oven.
 - iii) Shrinkage test
 - iv) Hot deformation
 - v) Loss of mass in air oven

STANDARD SPECIFICATION FOR INSTRUMENT CABLES	Doc No.	Rev	
	GAIL-STD-IN-DOC-TS-005	0	
	Page 8 of 10		

- vi) Heat shock test
- vii) Thermal stability
- b) Test for armouring wires / strips.
- c) H.V. Water Immersion Tests.

4.5 Routine Tests


4.5.1 Each of the following tests shall be carried out by vendor during various stages of manufacture on each finished cable drum.

- a) Spark test as per BS 5308 Part 2.
- b) Conductor resistance
- c) High voltage test as per BS 5308 Part 2
- d) Armour resistance test (for mining cables).
- e) Mutual capacitance and capacitance between any core or screen.
- f) Inductance and L/R ratio.
- d) Annealing test (for copper)

4.6 Acceptance Tests

4.6.1 Following acceptance tests shall be carried out by vendor on representative samples taken from manufactured lot:

- a) Finished cable dimensions
- b) Conductor resistance
- c) Thickness of insulation and sheath.
- d) Tensile strength and elongation at break of insulation and sheath.
- e) Pair twisting, laying and identification.
- f) Shield overlap, drain wire resistance and continuity check.
- g) Armour resistance test (for mining cables).
- h) Uniformity of zinc coating on armour.
- i) Insulation resistance (volume resistivity) as per BS 5308 Part 2.
- j) High voltage.
- k) Test for rodent and termite repulsion.
- l) Mutual capacitance and capacitance between any core or screen
- m) Inductance and L/R ratio
- n) Oxygen and Temperature index as per ASTM D 2863.
- o) Flame retardant Test on sample cable as per IS 10810 Part 61.
- p) Acid Generation test IEC 60754 / IS 10810 Part 59 (for fire resistant cables)
- q) Smoke density test ASTM D 2843 / IS 10810 Part 63 (for fire resistant cables)

STANDARD SPECIFICATION FOR INSTRUMENT CABLES	Doc No.	Rev	
	GAIL-STD-IN-DOC-TS-005	0	
	Page 9 of 10		

- r) Overall finish and drum length check.
- s) Swedish Chimney test

4.7 Witness Inspection


4.7.1 Vendor shall offer all cables for pre-dispatch inspection to purchaser or their authorized representative and following test/checks shall be carried out as minimum:

- a) Acceptance tests as per clause 4.6 on representative samples.
- b) Review of all certificates and test reports as indicated in clause 4.0.

4.8 Immediately after completion of electrical tests, the ends of the cable shall be sealed to prevent ingress of moisture with suitable PVC / rubber caps.

4.9 In the event no witness inspection is carried out by purchaser, the tests shall anyway be completed by the vendor and documents for the same shall be submitted to purchaser for scrutiny.

-----X-----

STANDARD SPECIFICATION FOR INSTRUMENT CABLES	Doc No.	Rev	
	GAIL-STD-IN-DOC-TS-005	0	
	Page 10 of 10		



GAIL INDIA LIMITED

**STANDARD SPECIFICATION
FOR
JUNCTION BOXES & CABLE GLANDS**

GAIL-STD-IN-DOC-TS-006

Rev	Date	Purpose	Prepared By	Checked By	Approved By
0	15.01.2019	Issued As Standard	RKS	UNU	UNU




TABLE OF CONTENTS

1.0 GENERAL.....3

2.0 DESIGNS AND CONSTRUCTION.....4

3.0 NAME PLATE.....6

4.0 INSPECTION AND TESTING.....6

STANDARDL SPECIFICATION FOR JUNCTION BOXES & CABLE GLANDS	Doc No.	Rev	
	GAIL-STD-IN-DOC-TS-006	0	
	Page 2 of 7		

1.0 GENERAL

1.1 Scope

1.1.1 This standard specification, together with the data sheets attached herewith, covers the requirements for design, materials, nameplate marking, testing and shipping of junction boxes and cable glands which include the following types:

- a) Electrical junction boxes
- b) Pneumatic junction boxes
- c) Cable glands (whenever specified)

1.1.2 The related standards referred to herein and mentioned below shall be of the latest editions prior to the purchaser's enquiry;

ANSI/ASME American National Standards Institute / American Society of Mechanical Engineers.

B 1.20.1 Pipe Threads, General Purpose (Inch).

EN 10204 Inspection Documents For Metallic Products.

IEC-60079 Electrical Apparatus for Explosive Gas Atmosphere.

IEC-60529 Degrees of Protection Provided by Enclosures. (IP Code)

IS-5 Colours for ready mixed paints and enamels.

IS-13947 Specification for Low Voltage Switchgear and Control gear.

IS-2148 Electrical Apparatus for Explosive Gas Atmospheres - Flame proof Enclosures 'd'.

1.1.3 In the event of any conflict between this specification, data sheets, related standards, codes etc., the following order of priority shall govern:


- a) Statutory Regulations
- b) Data Sheets
- c) Standard Specification
- d) Codes and Standards

1.2 Drawings and Data

1.2.1 Detailed drawings, data, catalogues and manuals required from the vendor are indicated by the purchaser in vendor data requirement sheets. The required number of reproducible, prints and soft copies, shall be sent to the address mentioned, adhering to the time limits indicated.

1.2.2 Final documentation consisting of design data and installation manual submitted by the vendor after placement of purchase order shall include the following, as a minimum;

- a) Specification sheet for each junction box and its accessories like cable glands etc.

STANDARDL SPECIFICATION FOR JUNCTION BOXES & CABLE GLANDS	Doc No.	Rev	
	GAIL-STD-IN-DOC-TS-006	0	
	Page 3 of 7		

- b) Certified drawing sheets for each junction box and its accessories, which shall provide dimensional details, internal constructional details (general arrangement details), and material of construction.
- c) Copy of type test certificates.
- d) Copy of test certificates for all the tests indicated in clause 4.0 of this specification.
- e) Installation procedure for junction boxes and its accessories.

2.0 DESIGN AND CONSTRUCTION

2.1 Junction Boxes

2.1.1 Junction boxes shall be either of the following type as specified in data sheets.

- a) Weather proof junction boxes.
- b) Weather proof and flameproof junction boxes.

No other type of junction boxes shall be offered / supplied unless specifically indicated otherwise.

2.1.2 Unless otherwise specified, the enclosure shall conform to the following standards:

Weatherproof housing : IP 65 to IEC-60529

Flameproof housing : Flameproof/Ex (d) as per IEC-60079.

2.1.3 Number of entries and their location shall be as per data sheets. Junction boxes with top entries shall not be offered. The size of cable entries shall be as per the cable sizes indicated in the data sheet.

2.1.4 Multi-pair junction boxes shall be provided with telephone sockets and plugs for connection of hand-powered telephone set.

2.1.5 Electrical Junction Boxes


- a) The material of construction of electrical junction boxes shall be die-cast aluminium of minimum 5 mm thick (LM-6 alloy).
- b) Weather proof junction box shall have hinged type door with neoprene gasket, which shall be fixed to the box by plated countersunk screws.
- c) Flameproof junction box shall have detachable cover, which shall be fixed to the box by means of cadmium plated triangular head/hexagonal head screws.
- d) Flameproof junction boxes for signal, alarm and control shall have the following warning engraved/integrally cast on the cover;

"Isolate power supply elsewhere before opening"

- e) Power junction boxes (junction boxes for power supply cable / distribution) shall have either the warning cast or shall have warning plate with following marking;

"Isolate power supply elsewhere before opening".

Unless otherwise indicated in the job specification, power junction boxes shall be suitable for incoming armoured power cable up to 150 sq.mm conductor size.

STANDARDL SPECIFICATION FOR JUNCTION BOXES & CABLE GLANDS	Doc No.	Rev	
	GAIL-STD-IN-DOC-TS-006	0	
	Page 4 of 7		


- f) Terminals shall be spring loaded, vibration proof, clip-on type, mounted on nickel plated steel rails complete with end cover and clamps for each row.
- g) All terminals used in signal, alarm and control junction boxes shall be suitable for accepting minimum 2.5sq.mm copper conductor, in general.
- h) Terminal used in power junction boxes / power supply distribution box shall be suitable for accepting conductor size of 4 Sq. mm to upto 120 sq. mm. Exact requirement shall be specified in data sheet/job specification. Higher size of terminals provided when indicated. Bus bar terminals shall be provided for conductor size 50 sq.mm and above. Suitable size of lugs shall be provided to suit conductor size specified.
- i) Each junction shall have minimum of 30% spare terminal of those actually required to be utilised. Unless higher number of terminal are specified in the purchaser's data sheet, the number of terminals for various types of junction boxes shall be as follows;
- 24 Nos. for 6 pair junction box.
- 48 Nos. for 12 pair junction box
- 36 Nos. for 6 triad junction box.
- 48 Nos. for 8 triad junction box.
- j) Terminals shall be identified as per the type of input signal indicated in data sheets e.g all terminal for intrinsically safe inputs shall be blue while others shall be grey in colour.
- k) Junction boxes shall be provided with external earthing lugs.
- l) Sizing shall be done with due consideration for accessibility and maintenance in accordance with the following guidelines;
- i) 50 to 60 mm gap between terminals and sides of box parallel to terminal strip for upto 50 terminals and additional 25 mm for each additional 25 terminals.
- j) 100 to 120 mm between two terminal strips for upto 50 terminals and additional 25 mm for each additional 25 terminals.
- iii) Bottom/top of terminal shall not be less than 100 mm from bottom / top of the junction box.

2.1.6 Pneumatic Junction Boxes

- a) Pneumatic junction boxes shall be made of 3 mm thick hot rolled steel. They shall have necessary neoprene gasket between door and body. Door shall be flush with the box and shall be hinged type and provided with wing nuts.
- b) Single tube entries shall be suitable for 6 mm O.D copper tube with bulk head fittings. Multi tube bundle entry shall be suitable for the data furnished in data sheets.

2.1.7 Painting

- a) Surface shall be prepared for painting. It shall be smooth and devoid of rust and scale.

STANDARDL SPECIFICATION FOR JUNCTION BOXES & CABLE GLANDS	Doc No.	Rev	
	GAIL-STD-IN-DOC-TS-006	0	
	Page 5 of 7		

- b) Two coats of lead-free base primer and two final coats of lead free epoxy based paint shall be applied both for interior and exterior surfaces.
- c) The colour shall be as specified in data sheets. However, following philosophy shall be followed, in general:
 - (i) Light blue for all intrinsically safe junction boxes.
 - (ii) Light grey for all others

2.2 Cable glands, Plugs and Reducers/Adaptors

- 2.2.1 Cable glands shall be supplied by vendor whenever specified.
- 2.2.2 Cable glands shall be double compression type for use with armoured cables.
- 2.2.3 The cable glands shall be of nickel plated brass, as a minimum and shall be provided with PVC shrouds.
- 2.2.4 The cable glands shall be weatherproof. Whenever specified they shall also be flameproof and certificate for the specified electrical area classification specified in the data sheets.
- 2.2.5 Cable glands shall be supplied to suit the cable dimensions indicated along with tolerances in data sheets. Various components like rubber ring, metallic ring, metallic cone and the outer / inner nuts etc. shall be capable of adjusting to the indicated tolerances of cable dimensions.
- 2.2.6 Reducers / adapters shall be supplied as per details indicated in data sheets. They shall be nickel-plated brass, as a minimum. These shall also be weatherproof and / or flame proof wherever specified and certified for the electrical area classification specified in the data sheets.
- 2.2.7 Plugs shall be provided wherever specified. They shall be of nickel-plated brass.
- 2.2.8 Plugs shall be certified flameproof when used with flameproof junction boxes.


3.0 NAME PLATE

Each junction box shall have an anodised aluminium nameplate permanently fixed to it at a visible place furnishing the following information;

- a) Tag number as per purchaser's data sheet.
- b) Manufacturer's serial number and model number.
- c) Manufacturer's name/trade mark.
- d) Stamp of certifying agency with certificate number.
- e) Electrical area classification.

4.0 INSPECTION AND TESTING

- 4.1 Unless otherwise specified, purchaser reserves the right to test and inspect all the items at the vendor's works in line with inspection test plan for junction boxes and cable glands.


STANDARDL SPECIFICATION FOR JUNCTION BOXES & CABLE GLANDS	Doc No.	Rev	
	GAIL-STD-IN-DOC-TS-006	0	
	Page 6 of 7		

- 4.2 Vendor shall submit following test certificates and test reports for purchaser's review:
- a) Material test certificates as per clause 2.2 of EN 10204
 - b) Pressure test on castings for flameproof junction boxes.
 - c) Dimensional test report.
 - d) High voltage and insulation resistance test report.
 - e) Air leak test report on pneumatic junction boxes.
 - f) Certificate from statutory body for suitability to install in specified hazardous area.

4.3 Witness Inspection

- 4.3.1 All junction boxes, cable glands and other accessories shall be offered for pre-dispatch inspection for the following, as a minimum;
- a) Physical dimensional verification and workmanship on representative samples.
 - b) High voltage and Insulation resistance test on representative samples.
 - c) Air leak test report on representative samples of pneumatic junction boxes.
 - d) Review of all certificates and test reports as indicated in clause 4.2 of this specification.
- 4.3.2 In the event when witness inspection is not carried out by purchaser, the tests shall anyway be completed by the vendor and documents for the same shall be submitted for scrutiny of purchaser.

-----X-----

STANDARDL SPECIFICATION FOR JUNCTION BOXES & CABLE GLANDS	Doc No.	Rev	
	GAIL-STD-IN-DOC-TS-006	0	
	Page 7 of 7		



GAIL INDIA LIMITED

**STANDARD SPECIFICATION
FOR
INSTRUMENT TUBE FITTINGS
(STAINLESS STEEL TUBE FITTINGS)**

GAIL-STD-IN-DOC-TS-007

Rev	Date	Purpose	Prepared By	Checked By	Approved By
0	15.01.2019	Issued As Standard	RKS	UNU	UNU



CONTENTS

1.0 GENERAL-----3


2.0 DESIGN AND CONSTRUCTION-----3

3.0 NAME PLATE-----4

4.0 INSPECTION AND TESTING-----4

ANNEXURES:

ANNEXURE - 1: HYDROSTATIC TEST PRESSURES FOR INSTRUMENT TUBE FITTINGS

STANDARD SPECIFICATION FOR INSTRUMENT TUBE FITTINGS (STAINLESS STEEL TUBE FITTINGS)	Doc No.	Rev	
	GAIL-STD-IN-DOC-TS-007	0	
	Page 2 of 6		

1.0 GENERAL**1.1 Scope**

1.1.1 This standard specification, together with the data sheets attached herewith, covers the requirements for the design, materials, inspection, testing of instrument tube fittings which includes the following types:

- a) Stainless steel compression fittings (for stainless steel tube)
- b) Brass compression fittings (for copper tube)

1.1.2 The related standards referred to herein and mentioned below shall be of the latest editions prior to the date of the purchaser's enquiry: -

ANSI/ASME American National Standards Institute/American Society of Mechanical Engineers

B 1.20.1 Pipe Threads General Purpose (Inch).

B 16.11 Forged Steel Fittings - Socket Welding and Threaded.

BS-4368 Metallic tube connectors for fluid power and general use. Specification for type test requirements

ASTM F 1387 Standard Specification for Performance of Piping and Tubing Mechanically Attached Fittings

EN 10204 Inspection Documents For Metallic Products.

IS-319 Specification for free cutting Brass Bars, Rods and Sections.

ISA International Society of Automation

RP 42.1 Nomenclature for Instrument Tube Fittings.


1.1.3 In the event of any conflict between this standard specification, data sheets, statutory regulations, related standards, codes etc., the following order of priority shall govern:

- a) Statutory Regulations
- b) Data Sheets
- c) Standard Specification
- d) Codes and Standards

2.0 DESIGN AND CONSTRUCTION**2.1 Stainless Steel Tube Fittings**

2.1.1 Nomenclature of all tube fittings shall be as per ISA RP 42.1.

2.1.2 Fittings shall be of flare less compression type having four-piece (for double compression type) construction consisting of two ferrules, nut and body or three piece (compression type) construction consisting of single ferrule, nut and body suitable for use on tubes of specified material for example stainless steel tubes conforming to ASTM A269 TP 316L with hardness in the range of HRB 70 to 79.

STANDARD SPECIFICATION FOR INSTRUMENT TUBE FITTINGS (STAINLESS STEEL TUBE FITTINGS)	Doc No.	Rev	
	GAIL-STD-IN-DOC-TS-007	0	
	Page 3 of 6		

- 2.1.3 All parts of the tube fittings shall be of 316 Stainless Steel unless specified otherwise.
- 2.1.4 Hardness of the ferrules shall be in the range of HRB 85-90 so as to ensure a hardness difference of the order of 5 to 10 between tube and fittings for better sealing.
- 2.1.5 Nuts and ferrules of a particular size shall be interchangeable for each type.
- 2.1.6 Spanner hold shall be metric.
- 2.1.7 Threaded ends of fittings shall be NPT as per ANSI B 1.20.1.
- 2.1.8 Specific techniques like silver plating shall be used over threading in order to avoid jamming and galling.
- 2.1.9 Ferrule finish and fitting finish shall be such that there is no abrasion/galling when the nut is tightened.
- 2.1.10 All instrument tube fittings in oxygen and chlorine service shall be thoroughly degreased using reagents like trichloro-ethylene or carbon tetrachloride. End connection shall be plugged after degreasing process in order to avoid entrance of grease or oil particles.

2.2 Copper Tube Fittings


- 2.2.1 Nomenclature of all tube fittings shall be as per ISA RP 42.1.
- 2.2.2 Fittings shall be of flare less compression type and of three-piece construction consisting of ferrule, nut
- 2.2.3 and body suitable for use on copper tubes conforming to ASTM B68 /B68M, hardness not exceeding HRB 50.
- 2.2.4 All parts shall be manufactured from brass as per IS 319 bar stock and nickel plated.
- 2.2.5 For better grip, vendor shall maintain hardness difference between tube and ferrule and indicate the same along with the offer.
Threaded ends of fittings shall be NPT as per ASME B 1.20.1
Spanner hold shall be metric.

3.0 NAMEPLATE

- 3.1 No separate nameplates are required on the fittings. However, manufacturer's name/trademark should be punched on a visible place on the body of each fitting for easy identification.

4.0 INSPECTION AND TESTING

- 4.1 Unless otherwise specified, purchaser reserves the right to test and inspect all items at vendor's works, inline with the inspection test plan for instrument tube fittings.
- 4.2 Vendor shall submit following test certificates and test reports for purchaser's review:
 - 4.2.1 Type test reports for following tests in accordance with BS-4368 Part IV:
 - a) Hydrostatic proof pressure test.

STANDARD SPECIFICATION FOR INSTRUMENT TUBE FITTINGS (STAINLESS STEEL TUBE FITTINGS)	Doc No.	Rev	
	GAIL-STD-IN-DOC-TS-007	0	
	Page 4 of 6		

- b) Minimum hydrostatic burst pressure test.
- c) Disassembly and reassembly test.
- d) Minimum static gas pressure (vacuum) test.
- e) Maximum static gas pressure test.
- f) Hydraulic impulse and vibration test.

4.2.2 Material test certificates as per clause 3.1 B of EN 10204.

4.2.3 Routine test reports for following tests:


- a) **Hydrostatic Test**
Instrument tube fittings shall be hydrostatically tested at ambient temperature at test pressures given in Annexure 1 of this specification. During and after the hydrostatic test, the tube fittings shall not show any leakage or rupture.
- b) **Pneumatic pressure test**
The fittings shall be tested at 7 kg/cm²g of dry air. There shall not be any visible leakage when immersed in water or coated with a leak detection solution.
- c) **Disassembly and reassembly test.**
- d) **Hardness verification:**
Hardness test shall be carried out on each rod used for machining ferrules. Vendor shall ensure that after machining, the finished ferrules shall meet the required hardness given in the specification.
- e) **Dimensional test report**

4.3 **Witness Inspection**

4.3.1 All fittings shall be offered for pre-dispatch inspection for the following as a minimum:

- a) Physical dimensional verification and workmanship on representative samples.
- b) Hydrostatic and pneumatic tests as per clause 4.2.3 of this specification on representative samples.
- c) Hardness verification as per clause 4.2.3 of this specification.
- d) Disassembly and reassembly test on representative samples.
- e) Review of all certificates and test reports as indicated in clause 4.2 of this specification.


4.3.2 In the event when no witness inspection is carried out by purchaser, vendor shall anyway complete the tests and test reports for the same shall be submitted to purchaser for scrutiny.

STANDARD SPECIFICATION FOR INSTRUMENT TUBE FITTINGS (STAINLESS STEEL TUBE FITTINGS)	Doc No.	Rev	
	GAIL-STD-IN-DOC-TS-007	0	
	Page 5 of 6		

ANNEXURE – 1

HYDROSTATIC TEST PRESSURES
FOR INSTRUMENT TUBE FITTINGS

Sr. No.	Size of Tube Fittings	Material	Line Pressure Class	Max Working Pressure	Hydrostatic Test Pressure
1	6mm and 1/2"	Stainless Steel	< or = 600#	102 Kg/cm ² g	153 Kg/cm ² g
2	6mm and 1/2"	Stainless Steel	> or = 900# to < or = 1500#	253 Kg/cm ² g	383 Kg/cm ² g
3	1/4" and 3/8"	Brass	> or = 900# to < or = 1500#	53 Kg/cm ² g	80 Kg/cm ² g

STANDARD SPECIFICATION FOR INSTRUMENT TUBE FITTINGS (STAINLESS STEEL TUBE FITTINGS)	Doc No.	Rev	
	GAIL-STD-IN-DOC-TS-007	0	
	Page 6 of 6		



GAIL INDIA LIMITED

**STANDARD SPECIFICATION
FOR
INSTRUMENT TUBING (STAINLESS STEEL TUBES)**

GAIL-STD-IN-DOC-TS-008

Rev	Date	Purpose	Prepared By	Checked By	Approved By
0	15.01.2019	Issued As Standard	RKS	UNU	UNU



TABLE OF CONTENTS


1.0 GENERAL-----3

2.0 DESIGN AND CONSTRUCTION-----4

3.0 NAME PLATE-----5

4.0 INSPECTION AND TESTING-----5

ANNEXURE:
ANNEXURE - 1: MAXIMUM WORKING PRESSURE AND HYDROSTATIC TEST
PRESSURES FOR INSTRUMENT TUBING

STANDARD SPECIFICATION FOR INSTRUMENT TUBE (STAINLESS STEEL TUBES)	Doc No.	Rev	
	GAIL-STD-IN-DOC-TS-008	0	
	Page 2 of 7		

1.0 GENERAL

1.1 Scope

1.1.1 This standard specification, together with the data sheets attached herewith, covers the requirements for the design, materials, inspection, testing and shipping of Instrument Tubing which includes the following types: -

- a) Stainless steel tubes
- b) Copper tubes

1.1.2 The related standards referred to herein and mentioned below shall be of the latest edition prior to the date of purchaser's enquiry;


ASTM	American Society for Testing and Materials.
A269 /A269- 15A	Standard Specification for Seamless and Welded Austenitic Stainless Steel Tubing for General Services.
A632	Standard Specification for Seamless and Welded Austenitic Stainless Steel Tubing (Small Diameter) for General Services.
B 251	Specification for general requirements for wrought seamless copper and copper alloy tube.
B 251M	Specification for general requirements for wrought seamless copper and copper alloy tube (Metric)
B 68/B68M	Specification for seamless copper tube, bright annealed.
E 243	Standard Practice for Electromagnetic (Eddy - Current) Examination of Copper and Copper - Alloy Tubes
EN 10204	Inspection Documents for Metallic Products

1.1.3 In the event of any conflict between this standard specification, job specification/data sheets, statutory regulations, related standards, codes etc. the following order of priority shall govern:

- a) Statutory regulations
- b) Job specification
- c) Standard specification
- d) Codes and standards

1.2 Drawings and Data

1.2.1 Detailed drawings, data, catalogues and manuals required from the vendor are indicated by the purchaser in vendor data requirement sheets. The required number of reproducible, prints and soft copies shall be dispatched to the address mentioned adhering to the time limits indicated.

STANDARD SPECIFICATION FOR INSTRUMENT TUBE (STAINLESS STEEL TUBES)	Doc No.	Rev	
	GAIL-STD-IN-DOC-TS-008	0	
	Page 3 of 7		

1.2.2 Final documentation consisting of design data by the contractor after placement of purchase order shall include the following as a minimum;

- a) Specification sheet for each type of tube.
- b) Copy of test certificates of all tests indicated in clause 4.0 of this specification.

2.0 DESIGN AND CONSTRUCTION

2.1 Stainless Steel Tubes

- 2.1.1 The tubes shall be 316L Stainless Steel fully annealed, seamless and cold drawn as per ASTM A 269/A269-15A.
- 2.1.2 The hardness of the tubes shall be limited to HRB 70-79. Equivalent hardness as Rockwell superficial scale (30T/15T) or Vicker's hardness scale shall also be acceptable.
- 2.1.3 Tubes shall have good surface finish and shall be free from scratches burrs etc. and suitable for bending.
- 2.1.4 Maximum working pressure shall be as per Annexure - 1 attached with this specification.
- 2.1.5 Tubes shall preferably be supplied in length of 5 to 6 metres without welding in between. Tube length less than 5 meters shall be rejected.
- 2.1.6 All tubes in oxygen and chlorine service shall be thoroughly degreased using reagents like trichloroethylene or carbon tetrachloride and tube ends shall be plugged after degreasing process in order to avoid entrance of grease or oil particles.


2.2 Copper Tubes

2.2.1 Copper Tubes (PVC Jacketed)

- a) The tube shall be soft annealed copper with 6mm OD and a wall thickness of 1.0mm as per ASTM B 68/B68 M copper No. C 12200.
- b) The tube shall be jacketed with black PVC. The jacket thickness shall be 1.6mm. The PVC jacket shall confirm to ASTM D-1047.
- c) The tube ends shall be plugged prior to transportation.
- d) The tube shall be continuous length without any brazing in between.
- e) The length of single tube shall preferably be 100 metres. However any tube length less than 70 meters shall be rejected unless specifically required otherwise in job specification.
- f) The dimensional tolerances shall be as per ASTM B 251/B251 M.

2.2.2 Bare Copper Tubes (For Steam Tracing)

- a) The tube shall be soft annealed copper with 3/8" (10mm) OD with wall thickness of 0.049" or 6mm OD with wall thickness of 1.0mm as per ASTM B68/B68 M, copper No. C12200.

STANDARD SPECIFICATION FOR INSTRUMENT TUBE (STAINLESS STEEL TUBES)	Doc No.	Rev	
	GAIL-STD-IN-DOC-TS-008	0	
	Page 4 of 7		

- b) The tube ends shall be plugged prior to transportation.
- c) The tube shall be continuous length without any brazing in between.
- d) The length of single tube shall preferably be 100 metres. However any tube length less than 70 meters shall be rejected unless specifically required otherwise in job specification.
- e) The dimensional tolerances shall be as per ASTM B 251/B 251M.
- f) Maximum working pressure shall be 53.0kg/cm²g at 38°C unless specified otherwise.

3.0 NAME PLATE

The following information shall be marked on the stainless steel tubes:

- a) Name of manufacturer
- b) Type and material grade of tube
- c) Tube outer diameter and wall thickness.

4.0 INSPECTION AND TESTING

4.1 Unless otherwise specified, purchaser reserves the right to test and inspect all the items at vendor's works, inline with the inspection test plan for instrument tubing.

4.2 Vendor shall submit following test certificates and test reports for purchasers review:


- a) Material test certificates as per clause 3. IB of EN 10204.
- b) Hydrostatic test for stainless steel tube and bare copper tubes as per clause 4.3 of this specification.
- c) Pneumatic test for PVC jacketed copper tubes as per clause 4.4 of this specification.
- d) Hardness / tension test for stainless steel tubes as per clause 4.5 of this specification.
- e) Ball test for copper tubes as per clause 4.6 of this specification.
- f) Eddy current examination of copper tubes as per ASTM E-243
- g) Dimensional test report.

4.3 Hydrostatic test

4.3.1 Stainless steel and bare copper tube shall be hydrostatically tested at ambient temperature at test pressures given in Annexure - 1 attached with this specification. During and after the hydraulic test, the tubes shall not show any leaks or rupture.

4.4 Pneumatic test

4.4.1 PVC jacketed copper tubes shall be tested at 7.0 kg/cm²g of dry air. During and after the test, tubes shall not show any leak or rupture.

STANDARD SPECIFICATION FOR INSTRUMENT TUBE (STAINLESS STEEL TUBES)	Doc No.	Rev	
	GAIL-STD-IN-DOC-TS-008	0	
	Page 5 of 7		

4.5 Hardness/Tension Test

4.5.1 All mother tubes shall be hardness tested for each heat prior to drawing for proper quality control. The hardness of the drawn tubes shall be checked by Rockwell Hardness Test. Following shall apply;

- a) For tubing less than 0.65in (1.65mm) in wall thickness, Rockwell superficial hardness test on 30T / 15T scale or Vicker's scale shall be equivalent to HRB 70 - 79.
- b) Hardness test is not required for tubes smaller than 1/4in (6.4mm) inside diameter or tubes having a wall thickness thinner than 0.020in (0.51mm). These tubes shall be tension tested in accordance with ASTM A632.

4.6 Ball Test


4.6.1 Ball test shall be carried on all copper tubes to ensure clear opening of the tube. The OD of the ball shall be minimum 1.0mm for 6.0mm OD tube and 2.0mm for 3/8" (10mm) OD tube.

4.7 Witness Inspection

4.7.1 All tubes shall be offered for pre-dispatch inspection for the following, as a minimum;


- a) Physical dimensional verification and workmanship.
- b) Hardness / tension test for stainless steel tubes.
- c) Hydrostatic and pneumatic tests on representative samples.
- d) Ball test on copper tubes on representative samples.
- e) Eddy current examination of copper tubes on representative samples.
- f) Review of all certificates and test reports as indicated in clause 4.2 of this specification.

4.7.2 In the event that the witness inspection is not carried out by purchaser, contractor shall anyway complete the tests and test reports for the same shall be submitted to purchaser for scrutiny.

STANDARD SPECIFICATION FOR INSTRUMENT TUBE (STAINLESS STEEL TUBES)	Doc No.	Rev	
	GAIL-STD-IN-DOC-TS-008	0	
	Page 6 of 7		

ANNEXURE - 1
MAXIMUM WORKING PRESSURE AND
HYDROSTATIC TEST PRESSURES
FOR INSTRUMENT TUBING

Sr. No.	Size of Tube (OD)	Material	Line Pressure Class	Thickness	Maximum Working Pressure	Hydrostatic Test Pressure
1	1/2" (12mm)	Stainless Steel	< or = 600#	0.049" (1.2mm)	102 Kg/ cm ² g	153 Kg/ cm ² g
2	1/2" (12mm)	Stainless Steel	> or = 900# to < or =1500#	0.065" (1.65mm)	253 Kg/ cm ² g	383 Kg/ cm ² g
3	(6mm)	Stainless Steel	< or = 600#	1.00mm	102Kg/cm ² g	153 Kg/cm ² g
4	1/4" (6mm)	Stainless Steel	> or = 900# to < or =1500#	0.065" (1.65mm)	253 Kg/ cm ² g	383 Kg/cm ² g
5	3/8" (10mm)	Copper	< or = 300#	0.049"	53 Kg/ cm ² g	80 Kg/ cm ² g
6	1/4" (6mm)	Copper	< or = 300#	1.00mm	53 Kg/ cm ² g	80 Kg/ cm ² g

STANDARD SPECIFICATION FOR INSTRUMENT TUBE (STAINLESS STEEL TUBES)	Doc No.	Rev	
	GAIL-STD-IN-DOC-TS-008	0	
	Page 7 of 7		



GAIL INDIA LIMITED

**STANDARD SPECIFICATION
FOR
INSTRUMENT VALVE AND MANIFOLDS**

GAIL-STD-IN-DOC-TS-009

Rev	Date	Purpose	Prepared By	Checked By	Approved By
0	15.01.2019	Issued As Standard	RKS	UNU	UNU



TABLE OF CONTENTS


1.0 GENERAL-----3

2.0 DESIGN AND CONSTRUCTION-----4

3.0 NAME PLATE-----6

4.0 INSPECTION AND TESTING-----7

ANNEXURE - 1: HYDROSTATIC TEST PRESSURES FOR INSTRUMENT VALVES AND MANIFOLDS.

STANDARD SPECIFICATION FOR INSTRUMENT VALVE & MANIFOLDS	Doc No.	Rev	
	GAIL-STD-IN-DOC-TS-009	0	
	Page 2 of 8		

1.0 GENERAL**1.1 Scope**

1.1.1 This standard specifications, together with the data sheets attached herewith, covers the requirements for the design, materials, inspection, testing and shipping of instrument valves and manifolds which includes the following types:

- a) Miniature instrument valves
- b) Instrument valve manifolds
- c) Instrument air valves

1.1.2 The related standards referred to herein and mentioned below shall be of the latest edition prior to the date of purchaser's enquiry;

ASME/ANSI American Society of Mechanical Engineers/ American National Standards Institute

B 1.20.1 Pipe threads General Purpose (Inch)

B 16.11 Forged steel fittings-socket welding and threaded.

B 16.9 Factory made Wrought Steel Butt welding fittings.

B 16.34 Valves-Flanged. Threaded and welding end.

API-598 Valve Inspection and Testing

EN 10204 Inspection Documents for Metallic Products.

MSS Manufacturers Standardization Society of the Valve and Fittings Industry.

SP99 Instrument Valves


1.1.3. In the event of any conflict between this standard specification, job specification/data sheets, statutory regulations, related standards, codes etc. the following order of priority shall govern:

- a) Statutory Regulations
- b) Data Sheets
- c) Standard Specification
- d) Codes and Standards

1.3 Drawings and Data

1.3.1 Detailed drawings, data, catalogue and manuals etc. required from the vendor is indicated by the purchaser in vendor data requirement sheets attached with material requisition. The required number of reproducible, prints and soft copies shall be dispatched to the address mentioned in the material requisition, adhering to the time limits indicated.

1.3.2 Final documentation consisting of design data, installation and maintenance manual etc. submitted by the vendor after the placement of purchase order shall include the following, as a minimum:

STANDARD SPECIFICATION FOR INSTRUMENT VALVE & MANIFOLDS	Doc No.	Rev	
	GAIL-STD-IN-DOC-TS-009	0	
	Page 3 of 8		


- a) Specification sheet for type of instrument valve and manifold.
- b) Certified dimensional details showing internal constructional details and material of construction.
- c) Copy of type test certificates.
- d) Copy of test certificates for all the tests indicated in clause 4.0 of this specification.
- e) Installation and maintenance procedures.

2.0 DESIGN AND CONSTRUCTION

- 2.1 The instrument valves shall be of manufacturer proprietary design. However, the minimum requirements specified herein must be complied.
- 2.2 Qualification tests (hydrostatic proof and burst tests) as per MSS SP-99 shall be conducted by vendor for each design and size of valve to establish the cold working pressure (CW.P) rating.
- 2.3 For all valves and manifolds with body material of carbon steel/stainless steel, the valve trim material shall be 316 Stainless Steel, as a minimum. Whenever body material is other than that specified above, trim material should be same as body material as a minimum.
- 2.4 Unless otherwise specified, the valve packing material for all valves and manifolds shall be PTFE only. The o-ring materials wherever used shall also be of PTFE.
- 2.5 The finishing and tolerances of parts like stem, piston, stem threading etc. of the offered valves and manifolds shall be properly machined to avoid problems like galling.
- 2.6 The hand wheel material for all valves and manifolds shall be zinc/nickel plated carbon steel. Any other material, if provided as per standard vendor design, shall also be acceptable.

2.7 Instrument Valves (Miniature)

- 2.7.1 The instrument valves shall be of globe pattern needle valves forged/ bar stock with inside screwed bonnet, with back-seated blow out proof system.
- 2.7.2 Body material shall be 316 Stainless Steel unless otherwise specified.
- 2.7.3 The minimum cold working pressure (CWP) rating of the valve shall be as per Annexure 1 of this specification, unless otherwise specified.
- 2.7.4 The end connection shall be 1/2"NPTF to ANSI B 1.20.1, unless otherwise specified.
- 2.7.5 Flow direction shall be marked on the body.
- 2.7.6 The valve dimensions shall be as follows:
- a) End to end dimensions 76mm (approximately).
 - b) Height in fully open condition - 135mm maximum. These dimensions are indicative only.

STANDARD SPECIFICATION FOR INSTRUMENT VALVE & MANIFOLDS	Doc No.	Rev	
	GAIL-STD-IN-DOC-TS-009	0	
	Page 4 of 8		

2.8 Valve Manifolds

2.8.1 3-Valve and 5-Valve manifolds:

2.8.1.1 3-Valve manifold

- a) 3-Valve manifold shall be designed for direct coupling to differential pressure transmitters having 2 bolt flanges with 54mm (2-1/8") centre-to-centre connections and 41.3mm (1 - 5/8") bolt-to-bolt distance.
- b) 3-Valve manifold shall contain two main line block valves and an equalising bypass valve. The valves shall be needle type. They shall use self-aligning 316 Stainless Steel ball seats, unless otherwise specified.

2.8.1.2 5-Valve manifold

- a) 5-Valve manifold shall be designed for direct coupling to differential pressure transmitters having 2 bolt flanges with 54mm (2-1/8") centre-to-centre connections and 41.3mm (1- 5/8") bolt-to-bolt distance.
- b) 5-Valve manifold shall contain two main line block valves and a combination double block and bleed for the bypass line. The valve shall of needle type or special ball with bleed hole.

2.8.1.3 The flanges shall be integral part of manifold block.

2.8.1.4 The material of construction shall be 316 Stainless Steel, unless otherwise specified.

2.8.1.5 The minimum cold working pressure (CWP) rating of manifolds shall be as per Annexure 1 of this specification, unless otherwise specified.

2.8.1.6 The process connection shall be 1/2"NPTF to ANSI B 1.20.1.

2.8.1.7 Wherever the manifolds are specified for stanchion mounting, these shall be supplied along with mounting accessories. The bolts and nuts shall be alloy steel as per ASTM A 193 Gr B7 and ASTM A194 Gr. 2H (Hot dip galvanised or zinc plated) respectively. Other accessories shall be zinc plated.


2.8.2 3 way 2 valve manifold for pressure gauges

2.8.2.1 The manifold shall be designed for use with pressure gauges with block and bleed valves. The manifold body shall be either straight or angle type as specified in the data sheet.

2.8.2.2 The valve shall be a needle type.

2.8.2.3 The body material shall be 316 Stainless Steel, unless otherwise specified.

2.8.2.4 The minimum cold working pressure rating of the manifold shall be as per Annexure 1 of this specification, unless otherwise specified.

STANDARD SPECIFICATION FOR INSTRUMENT VALVE & MANIFOLDS	Doc No.	Rev	
	GAIL-STD-IN-DOC-TS-009	0	
	Page 5 of 8		

2.8.2.5 The manifold shall have the following connections:

- a) The inlet connection shall be 3/4" plain ends with a minimum of 100mm nipple extension suitable for socket weld or butt weld as per B 16.11/ BI 6.9 as specified in the job specifications
- b) The gauge connection shall be with union nut and tail piece threaded to 1/2"NPTF.
- c) The drain connection shall be W'NPTF.

2.9 Instrument Air Valves

2.9.1 Instrument Air Isolation Valves (Miniature)

- 2.9.1.1 The valves shall be full-bore ball type with forged body.
- 2.9.1.2 Body material shall be 316 Stainless Steel.
- 2.9.1.3 The minimum cold working pressure rating of instrument air isolation valves shall be as per Annexure 1 of this specification, unless specified otherwise.
- 2.9.1.4 The end connection shall be 1/2"NPTF to ANSI B 1.20.1, unless otherwise specified.
- 2.9.1.5 End to end dimensions shall be 70mm (approximately).

2.9.2 Instrument Air Needle Valves (Miniature)


- 2.9.2.1 The instrument valves shall be globe pattern-needle valves forged/bar stock with inside screwed bonnet.
- 2.9.2.2 Body material shall be 316 Stainless Steel.
- 2.9.2.3 The minimum cold working pressure of Instrument Air Needle valves shall be as per Annexure 1 of this specification, unless otherwise specified.
- 2.9.2.4 The end connection shall be 1/2" NPTF to ANSI B1.20.1, unless otherwise specified.
- 2.9.2.5 Flow direction shall be marked on the body.
- 2.9.2.6 The valve dimensions shall be as follows:
 - a) End to end dimensions - 54 mm (approximately).
 - b) Height in fully open condition - 49 mm maximum. These dimensions are tentative only.

2.10 All instrument valves in oxygen and chloride service shall be thoroughly degreased using reagents like trichloroethylene or carbon tetrachloride. End connection shall be plugged after degreasing process in order to avoid entrance of grease or oil particles.

3.0 NAME PLATE

3.1 Following information shall be punched on the body of each of these items;

- a) Material of construction to the same standards as in purchaser's data sheets.
- b) Cold working pressure of each item to the same standards as in purchaser's data sheets.

STANDARD SPECIFICATION FOR INSTRUMENT VALVE & MANIFOLDS	Doc No.	Rev	
	GAIL-STD-IN-DOC-TS-009	0	
	Page 6 of 8		

- c) Manufacturer's identification and model number.
- d) Flow direction (if applicable)
- e) Material of construction.

4.0 INSPECTION AND TESTING

4.1 Unless otherwise specified, purchaser reserves the right to test and inspect all the items at vendor's works, inline with the inspection test plan for instrument valve and manifolds.

4.2 Vendor shall submit following test certificates and test reports for purchaser's review:

- a) Material test certificates as per clause 3. IB of EN 10204 for body and bonnet and as per clause 2.2 for other parts.
- b) Dimensional test report.
- c) Pressure test report as per clause 4.3 of this specification.
- d) Hydrostatic proof and burst tests as per MSS-SP-99 for each design and size of valve.

4.3 Pressure Test Requirements

4.3.1 Each valve and manifold shall be subjected to hydrostatic pressure test at ambient temperature for both seat and shell leakage at test pressures given in Annexure-1 of this specification. During and after the hydrostatic test there shall not be any visible leakage.

4.3.2 Pneumatic Test


Each valve and manifold shall be subjected to pneumatic test for both shell and seat leakage at 7.0 kg/cm²g with testing medium as air at ambient temperature. There shall not be any visible leakage when immersed in water or coated with a leak detection solution.

4.4 Witness Inspection

4.4.1 All valves and manifolds shall be offered for pre-dispatch inspection for following, as a minimum:

- a) Physical dimensional verification and workmanship.
- b) Pressure test as per clause 4.3 of this specification on representative samples.
- c) Review of all certificates and test reports as indicated in clause 4.2 of this specification.

4.4.2 In the event, when witness inspection is not carried out by purchaser, the tests shall anyway be completed by the vendor and documents for the same shall be submitted to purchaser for scrutiny.

STANDARD SPECIFICATION FOR INSTRUMENT VALVE & MANIFOLDS	Doc No.	Rev	
	GAIL-STD-IN-DOC-TS-009	0	
	Page 7 of 8		

ANNEXURE-1

HYDROSTATIC TEST PRESSURES FOR INSTRUMENT VALVES AND MANIFOLDS

SL.NO.	ITEM	LINE PRESSURE	MIN. COLD WORKING PRESSURE	HYDROSTATIC TEST PRESSURE FOR SEAT LEAKAGE	SHELL LEAKAGE TEST
1.	Instrument Valves (Miniature)				
A)		< or = 600#	102kg/cm ² g	112kg/cm ² g	153kg/cm ² g
B)		> or = 900# to < or = 1500#	253kg/cm ² g	278kg/cm ² g	383kg/cm ² g
2.	Instrument Valve Manifold				
A)		< or = 600#	102kg/cm ² g	112kg/cm ² g	153kg/cm ² g
B)		> or = 900# to < or = 1500#	253kg/cm ² g	278kg/cm ² g	383kg/cm ² g
3.	Instrument Air Isolation Valves	< or = 300#	27kg/cm ² g	30kg/cm ² g	41kg/cm ² g
4.	Instrument Air Needle Valves	< or = 300#	27kg/cm ² g	30kg/cm ² g	41kg/cm ² g



GAIL INDIA LIMITED

**STANDARD SPECIFICATION
FOR
FIRE & GAS DETECTION SYSTEM**

GAIL-STD-IN-DOC-TS-011

Rev	Date	Purpose	Prepared By	Checked By	Approved By
0	14.01.2019	Issued As Standard	RKS	UNU	UNU



CONTENTS

- 1.0 GENERAL
- 2.0 FIRE DETECTION SYSTEMS
- 3.0 GAS DETECTION SYSTEM
- 4.0 FIELD ANNUNCIATION DEVICES
- 5.0 FIRE AND GAS ALARM /MONITORING PANEL
- 6.0 PORTABLE CALIBRATOR
- 7.0 AREA CLASSIFICATION
- 8.0 POWER SUPPLY
- 9.0 FIRE DETECTION LOCATION PLAN

STANDARD SPECIFICATION FOR FIRE & GAS DETECTION SYSTEM	Doc No.	Rev	
	GAIL-STD-IN-DOC-TS-011	0	
	Page 2 of 9		



1. GENERAL

1.1.1 This document defines the technical requirements for Design, engineering, Fabrication / manufacturing, assembly, testing at works, packing and supply of:

- A. Fire Detection systems
- B. Gas Detection systems

1.1.2 The related standards referred to herein and mentioned below shall be of the latest editions prior to the date of purchaser's enquiry:

API RP-55	Recommended Practice for Oil and Gas Producing & Gas Processing Plant Operations Involving Hydrogen sulphide.
API RP-552	Transmission Systems
EN-10204	Inspection Documents for Metallic Products
EN-50054	Electrical Apparatus for the Detection and Measurement of Combustible Gases - General Requirements and Test Methods.
EN-50057	Performance Requirements for Group II Apparatus Indicating upto 100% LEL.
IEC-1000-6-3	Electromagnetic Compatibility (EMC)-Generic Standard - Emission Standard for Residential, Commercial and Light Industrial Environments
IEC-60079	Electrical Apparatus for Explosive Gas Atmosphere.
IEC 60331	Testing of Fire Resisting Cables
IEC-60332	Tests on hunched wires and cables.
IEC-60529	Degree of protection provided by Enclosures (IP code).
IEC-60617 (Part12)	Graphical Symbols for Diagrams – Binary Logic Elements
IEC-61000-4	Electromagnetic compatibility for Industrial Process Measurement and Control Equipment.
IEC-61131	Programmable Logic controllers
IEC 61508	Functional Safety of electrical/electronic/programmable electronic safety related systems
IEC 61511	Functional Safety – Safety Instrumented Systems for the Process Industry Sector.
IS-13947	Specification for low Voltage Switchgear and Control gear.
IS-2148	Flameproof Enclosures for Electrical Apparatus for Explosive Gas Atmospheres – Flameproof Enclosures 'd'.

1.1.3 In the event of any conflict between this standard specification, job specification/datasheets, statutory regulations, related standards, codes etc the following order of priority shall govern:

- a. Statutory Regulations

STANDARD SPECIFICATION FOR FIRE & GAS DETECTION SYSTEM	Doc No.	Rev
	GAIL-STD-IN-DOC-TS-011	0
	Page 3 of 9	

- b. Data Sheets
- c. Standard Specifications
- d. Codes and standards

2. FIRE DETECTION SYSTEMS

2.1 SMOKE DETECTION

Smoke detectors shall be provided in control building. The detectors shall be installed in control room inside cable trenches, inside building in various rooms, electrical equipment room.

High sensitivity photo cell type (optical type) smoke detectors shall be provided.

All smoke detectors shall have self checking facility.

Each detector shall have a LED indicating the status of the detector. For smoke Detectors installed above false ceiling and in cable trenches remote indicator shall be provided in fire and gas panel.

Circuit type: 2 wire.

Open and short circuit shall be monitored by end of line resistor.

All smoke detectors shall have facility for remote reset.

Mounting type: on ceiling with base.

Alarm indication shall be LED.

2.2 HEAT DETECTORS

Heat detectors shall be provided in battery room. Rate of temp. rise type detectors shall be provided as these provide rapid response while the ambient temp. is subject to fluctuations. Quantity and installation requirements are given in data provided in this specification.

Temp set point: 85 Deg C.

Mounting: on ceiling with base.

Circuit type: 2 wire.

Alarm indication: LED.

Open and short circuit shall be monitored by end of line resistor.

All heat detectors shall be auto reset type.

2.3 Manual Call Points:

Manual Call Points (MCP) shall be positioned in such a way that they stand out against the Background i.e. they shall be clearly recognizable from a distance either by day or Night.

Manual call points shall be located;

- a) Two nos at each end outside control building
- b) Outside guard room (one no.)
- c) One no. as decided in field by Project Manager.

STANDARD SPECIFICATION FOR FIRE & GAS DETECTION SYSTEM	Doc No.	Rev
	GAIL-STD-IN-DOC-TS-011	0
	Page 4 of 9	

Type: Break glass type.

Operation: By hammer. Hammer and chain shall be provided.

Housing material: UV resistant GRP for break glass installed outside control building IP 65.

MCPs installed outdoors in field shall be in addition be suitable for hazardous area classified

Housing colour:- Red paint two coat epoxy type.

Each manual call point shall have SS tag / label with wording "Manual alarm call station", & "Break glass to activate"

2.4 LINEAR HEAT SENSOR CABLE

- a. LHS cable shall be capable of detecting heat from a fire over entire length of cable trench and false ceiling area of control room. Cable shall be located where it will not be subject to physical damage. Normal operating state of LHS cable shall be open circuit type.
- b. The operation of system must be based on two conductors to short circuit together, and then creating an alarm condition on the Fire Alarm Panel. "switching " cable where a change in state of internal insulation - caused by temperature rise to a pre-defined level - allows a short circuit or "hot junction" to occur between two twisted tin plated copper conductors.
- c. The system shall follow principles of fire protection engineering, as well as comply applicable standard NFPA-72 / NEC 760.
- d. Alarm Temperature of the system shall be set at temperature of minimum 68 °C and response time of fire detection less than 5 second.
- e. Twisted pair copper coated steel conductors shall be covered by temperature sensitive thermoplastic or fluoropolymer insulation and protected by a jacket of thermoplastic strip braid, PVC, nylon or fluoropolymer material.
- f. LHS cable connects to Fire Alarm Panel (FCP) as a dry-contact initiative device. The maximum length of cable shall be determined by the electrical characteristic (resistance and capacitance) of the FCP initiating circuit board. FCP initiating circuit shall be installed at the end of cable.
- g. LHS cable shall be mounted at the ceiling above false ceiling of the control room. The thermal path of the LHS cable must be obstructed and maintain 1" distance from ceiling fast detection. The cable shall be adequately supported to prevent sagging; it is not necessary to tension the cable , however on straight runs it is recommended that the cable is supported every 3 feet (1m).
- h. Standard accessories like Weather tight connector, master clamp, flange clip and nylon cable tie shall be used for installation of LHS cable.
- i. In any case soldering, heat shrink tubing cannot allow during installation as well as any maintenance. Use of junction box for connecting two lengths of sensor cable will be preferable. Junction box must be weather proof.

3.0 Gas Detection system.

3.1 Open Path Gas Detectors:-

IR absorption type gas detectors shall be provided as follows:

STANDARD SPECIFICATION FOR FIRE & GAS DETECTION SYSTEM	Doc No.	Rev
	GAIL-STD-IN-DOC-TS-011	0
	Page 5 of 9	

2 nos detectors near each pig launcher / pig receiver
 2 nos around isolation valve in SV station.
 4 nos detectors around metering skid.

Power supply: 24 VDC.

Area classification:-Zone1,Gr IIA,IIB,T3.

Weather proof protection: IP65.

Out put :-4-20 ma DC.

Accuracy:-+/-3% full scale.

Response time:-T 95<5 secs.

Range :8 LEL meters /100 meters minimum.

Housing Material:- SS 316.

Mounting: Swivel mounting.

Lens cleaning fluid shall be supplied by contractor.

Beam blockage more than 10 secs. Shall give "BEAM BLOCKED" warning after 60 secs
 Shall give fault alarm.

Calibration Accessories. Hand held calibrator suitable for area classified with battery and charging unit, TEST FILM etc;

Tag plate :-SS 316.

3.2 Fixed Point Gas Detectors.:

IR absorption type detectors shall be provided as follows:

2 nos detectors near each pig launcher/pig receiver.
 2 nos around isolation valve in SV station
 4 nos detectors in metering skid.

Power supply: 24 V DC.

Area classification :- Zone 1,Gr. II A.IIB.T3.

Weather proof protection:-IP65.

Detection Range:-100% LEL.

Out put: 4-20 mA DC

Accuracy : +/- 3% full scale.

Response time : T90< 15 Secs.

Housing material: SS 316.

Tag plate: SS required with tag details.

STANDARD SPECIFICATION FOR FIRE & GAS DETECTION SYSTEM	Doc No.	Rev
	GAIL-STD-IN-DOC-TS-011	0
	Page 6 of 9	

Each detector shall be equipped with facilities for site calibration and testing. The detection Range shall be adjustable between 0 and 100% LEL.

3.3 Control Card and Controller for Gas Detection System shall be of OEM make only.

4.0 Field Annunciation Devices.

Alarm Beacons / Flash Lights.

Alarm beacons shall be rotating type with a coloured lens and dual high intensity halogen Bulbs. One no. red (for fire alarm) and one no. blue (for gas alarms) shall be supplied and installed at highly visible location outside control building.

5.0 Fire Alarm / Monitoring Panel and Gas Alarm / Monitoring Panel.

Fire Alarm monitoring Panel and **separate** Gas Alarm monitoring Panel shall be supplied and installed in each control room.

This panel shall have following minimum facilities / equipment.

- a) **Gas Alarm / Monitoring Panel:** For gas detectors Single channel gas monitors shall be provided with 0-100% LEL indication (LCD) ,alarms adjustable over 100% LEL range) for low and high LEL.,AND fault alarm.(LEDs). Shall have test/acknowledge alarm, reset push buttons.

Control Card and Controller for Gas Detection System shall be of OEM make only

- b) **Fire Alarm / Monitoring Panel:** Alarm annunciator showing zone wise fire alarms, and remote indication for smoke Detectors installed above false ceiling and inside cable trenches.
- c) A horn installed above fire /gas alarm panel, and high sound level (120 DbA) installed Guard room.
- d) The panel shall be wall mounting type suitable for safe area installation.
- e) Siren with range of 1 KM shall be provided at the top of the building with acknowledge, Test and Reset provision in panel.

6.0 Portable Calibrator:

- a. Portable calibrator for fixed point detectors consisting of all accessories like volume bottles, containing known gas / mixture, a pressure regulator, a flexible hose adapter cap shall be supplied to enable field calibration of the sensors/detectors without dismantling them from the field.
- b. Calibration range shall be suitable for the sensors supplied, 0-100% LEL.
- c. Sufficient quantity of calibration gas shall be supplied to enable calibration of all the Sensors / detectors at least twice.

STANDARD SPECIFICATION FOR FIRE & GAS DETECTION SYSTEM	Doc No.	Rev
	GAIL-STD-IN-DOC-TS-011	0
	Page 7 of 9	



7.0. Area Classification

The Hazardous area classification is Zone 1, gas Group IIA/IIB, Temp. Class T3. For Certification requirement for instruments items are as below:

For all flame proof equipment / instrument / systems, which is manufactured abroad (outside India) certification by any approving authority like BASEEFA, FM, UL, PTB, LCIE. ATEX etc shall be required. For units manufactured in India certificate from CMRI will be required.

8.0 Power Supply

Power supply available is 24V DC, Contractor to convert from this level to other levels.

STANDARD SPECIFICATION FOR FIRE & GAS DETECTION SYSTEM	Doc No.	Rev	
	GAIL-STD-IN-DOC-TS-011	0	
	Page 8 of 9		

9.0 FIRE DETECTOR ALLOCATION PLAN

Sl. no	Area Description	OSD	MHSD	Multicriteria Heat Detectors	MCP (Break Glass Unit)	LHS CABLE	Hooter	Flashlight	ZONE
1	Control room / UPS room a) above false ceiling		2		-	1			Zone-1
	b) Below false ceiling	2		—					Zone-2
2	Inside cable trench in a) Control room			—		1			Zone-3
	b) Electrical room.					1			
3	Battery room	—		2	-				Zone-4
4	Electrical Room	1	1	—	-				Zone-5
5	Manual Call points (Break Glass Unit)	—		—					Zone-6
	a) Control room				1				
	b) Electrical room				1				
	c) Store Room				-				
	d) Battery Room				1				
6.	Store Room	1							Zone-7
7	Guard Room				1				Zone-8
8	Hooter + Flash Light								Zone-9
	a) Control Room						2	1	
	b) Guard Room						-	1	

OSD -- Optical Smoke Detector
 MHSD – Multicriteria Heat & Smoke Detectors
 MCP – Manual Call Point

NOTES:

- Above mentioned numbers are tentative, However same shall be finalized during detail Engineering.
- Hooter / Flash lights / Beacons – Shall be different from Fire suppression system.

STANDARD SPECIFICATION FOR FIRE & GAS DETECTION SYSTEM	Doc No.	Rev
	GAIL-STD-IN-DOC-TS-011	0
	Page 9 of 9	



GAIL INDIA LIMITED

**STANDARD SPECIFICATION
FOR
CONTROL PANEL**

GAIL-STD-IN-DOC-TS-012

Rev	Date	Purpose	Prepared By	Checked By	Approved By
0	14.01.2019	Issued As Standard	RKS	UNU	UNU



CONTENTS

- 1.0 GENERAL
- 2.0 CONTROL PANEL CONSTRUCTION
- 3.0 DIMENSIONS AND MATERIAL OF CONSTRUCTION
- 4.0 WIRING
- 5.0 DELETED
- 6.0 BULK POWER SUPPLY UNIT
- 7.0 SPECIFICATIONS FOR ACCESSORIES
- 8.0 INDICATORS
- 9.0 SIGNAL DISTRIBUTION CARDS
- 10.0 ZENER BARRIERS/ ISOLATORS
- 11.0 DRAWINGS AND DATA.

STANDARD SPECIFICATION FOR CONTROL PANEL	Doc No.	Rev	
	GAIL-STD-IN-DOC-TS-012	0	
	Page 2 of 9		

1.0 GENERAL

- 1.1** Pipeline and location of panels (Local control panel, fire alarm panel, gas alarm/monitoring panel, telecom interface panel).
- 1.2** Location of control panel and accessories: Indoor
- 1.3** Floor : Concrete Floor with Trench
- 1.4** Air conditioning :- YES
- 1.5** Control Panels Size :- Local control panel (Size 2100mmX1000mmX800mm)
Wall mounted Fire and gas monitoring panels, Telecom interface panel.
(Approx size 600mmX600mmX300mm)
- 1.6** Contractor shall provide an alarm annunciator for fire and gas alarms, in fire and gas monitoring panels.

2.0 CONTROL PANEL CONSTRUCTION

- 2.1** Type: Self supported, Free standing, enclosed cubicle.
- 2.2** Lighting: Required inside Panel with door switch
- 2.3** Ventilation: Required with louvers backed by wire fly screen & fan. Fan failure alarm required.
- 2.4** Doors: Rear double removable hinged doors with flush pull type handles & with locking arrangement.
- 2.5** Cable Entry: Bottom, Cable glands shall be single compression type. All unused entries are plugged.
- 2.6** Receptacles: Required for 230VAC UPS.
- 2.7** Painting: The finish should include sand blasting, grinding, chemical cleaning's finishing by suitable filler and two coats of paint. Panel colour shall be Non-glossy high strain finish. Panel colour shall be RAL 7032.
- 2.8** Channel Base : 100*50*6 MM, MS material
- 2.9** Name Plates: Front of panel instrument name plates shall be black laminated plastic white core. Name plate shall be provided on rear of panel also.

3.0 DIMENSION & MATERIAL OF CONSTRUCTION

- 3.1** Panel Dimension: 800(w) mm X 2100(H)mm X 800(D)mm including channel base

STANDARD SPECIFICATION FOR CONTROL PANEL	Doc No.	Rev	
	GAIL-STD-IN-DOC-TS-012	0	
	Page 3 of 9		

- 3.2** Control Panels : 3.0 CRCA / 5.0 mm thick HRCA steel welded to frame
- 3.3** Side & Top plates : 2mm thick CRCA steel welded to frame.
- 3.4** Door of Panel: 1.6 mm thick CRCA steel. Rear side door shall be double door type. Concealed Hinges and Flush pull chrome plated handles.
- 3.5** Cable Gland Plate: 3mm thick CRCA steel
- 3.6** Anchor Bolt Size: By contractor
- 3.7** Frame: 50 mm * 50 mm * 3mm Formed section
- 3.8** Lifting Eye Bolt : Required
- 4.0** **WIRING**
- 4.1** Type : General Purpose
- 4.2** Wiring details (Power)
- 230 V AC UPS Wiring (Outside cabinet) : Min, 3* 2.5 mm² copper conductor PVC insulated armoured
- Low Voltage Inside the Cabinet: (24V DC) : Min 19 strands, 16 AWG copper conductor PVC insulated.
- 230V AC Non UPS (outside cabinet) : Min, 3* 2.5 mm² copper conductor PVC insulated armoured
- 4.3** Signal Wiring :
- External to cabinet : 1.0 mm² twin twisted, individual shielded/overall Shielded with overall drain PVC insulated, armoured.
- Inside the cabinet : Multi strand min 1.0mm² copper conductor PVC Insulated.
- Terminal Type : Screw clamp with pressure plate
- Terminal Size for signal : Suitable for min. 2.5mm² size conductor.
- Terminal size for power dist : Suitable for min 4.0 mm² size conductor and higher as per actual cable sizes.
- Terminal Block : Clip on type.
- Wiring colour code
- Power supply : Hot-Red
Neutral-Black
Earth-green
- DC Wiring : Positive-Red Negative Black
- Alarm System : White

STANDARD SPECIFICATION FOR CONTROL PANEL	Doc No.	Rev
	GAIL-STD-IN-DOC-TS-012	0
	Page 4 of 9	

Control and shutdown	:	Yellow
Analog Signals(IS)	:	Light Blue

5.0 Deleted

6.0 BULK POWER SUPPLY UNIT

6.1	Input	:	As per Scope of Work
6.2	Output	:	24V DC _+ 5 % or as required for instruments.
6.3	Rating	:	By Contractor
6.4	Mounting	:	DIN Rail mounted
6.5	Qty	:	2 nos. for each Panel (Dual Redundant)

7.0 SPECIFICATIONS FOR ACCESSORIES

7.1 ALARM ANNUNCIATOR

No. of Window	12 (4X3)
Type	Solid State
Mounting	Flush Panel
Enclosure	General Purpose IP 41
Window Size	50 mm X 60 mm
Make / Model No.	By Contractor

Annunciator alarm sequence shall be as per F3A of ISA.

The design of the alarm annunciator system shall be such that transient alarms of less than 330 milliseconds duration shall be automatically rejected.

7.2 LAMPS

Type	Miniature filament
Rating	By Contractor
Voltage	24V DC
Make/Model No.	By Contractor

Lamps shall be provided with series resistor to increase life of lamp.

7.3 Push Buttons

Type	Spring return
Contacts	2NO + 2NC
Contact Rating	2A 24V DC
Make	By Contractor
Color	As per standard

7.4 Selector Switch

Type	As per functional switching and logic requirement
------	---

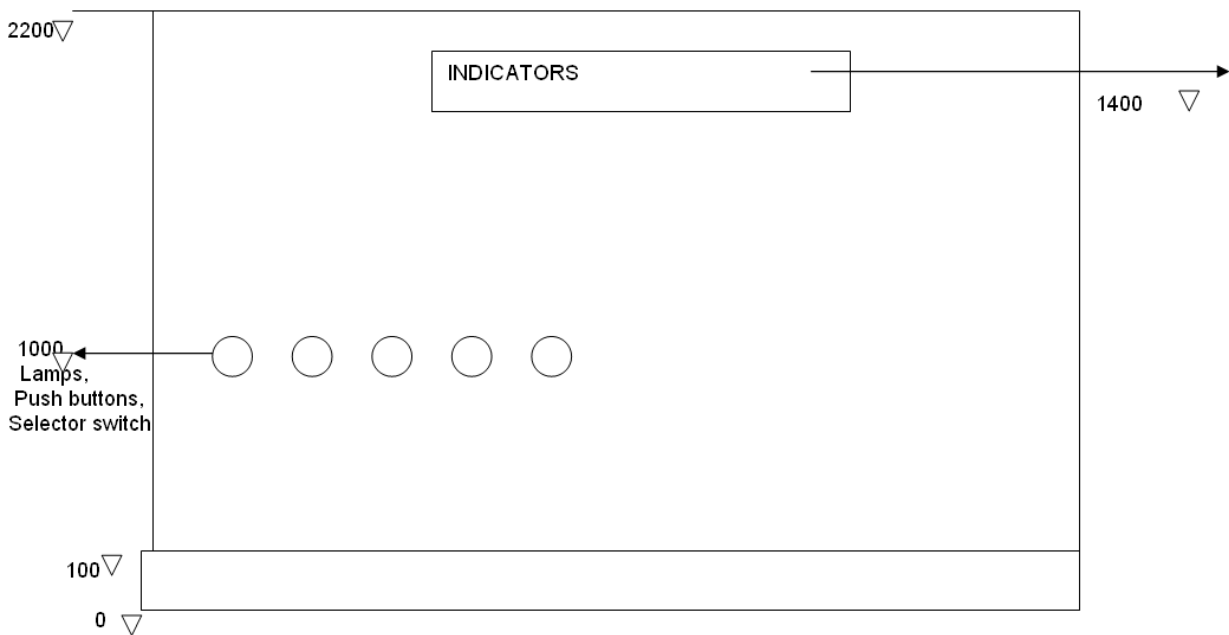
STANDARD SPECIFICATION FOR CONTROL PANEL	Doc No.	Rev
	GAIL-STD-IN-DOC-TS-012	0
	Page 5 of 9	

Specification	Silver alloy gold plated contacts with SS shaft dust covers with water proof covering and contact shall be made before break type.
Rating	2A, 24V DC
Make	KAYCEE/Eqv.

7.5 Relays

Type	Plug in relays
Contact Type	Potential free contact
Contact nos.	3NO + 3NC
Rating	24V DC , 5.0 AMP
Make	OEN/Eqv.

7.6 SUGGESTIVE PANEL ARRANGEMENT



1. All dimensions are in mm
2. Panel front arrangement is tentative only

Panel layout shall be designed considering ease of operation. No push button or hand switch shall be located below 600 mm. Instrument Mounting heights, in general, shall be as follows:-

- a) Annunciators - 1950 mm
- b) Indicators - 1400 mm
- c) Electric push buttons / Switches, lamps etc. - 1000 mm

8.0 INDICATORS

STANDARD SPECIFICATION FOR CONTROL PANEL	Doc No.	Rev
	GAIL-STD-IN-DOC-TS-012	0
	Page 6 of 9	

8.1	Type	: Single Channel Microprocessor Based Fluorescent Display with Engineering units
8.2	Mounting	: Flush Panel
8.3	Enclosure	: General Purpose
8.4	To be used in intrinsically safe System	: With exit. Zener barrier / Isolator cum Repeater
8.5	Inputs	: 4-20 mA DC (2 wires)
8.6	Outputs	: 4-20 mA DC
8.7	Facia	: Bar graph display of PV (with digital display)
8.8	Scan time	: 500 msec. Max
8.9	A/D Convertor resolution	: 1500 steps min
8.10	D/A Convertor resolution	: 1500 steps min
8.11	Load driving capacity	: 750 ohms
8.12	Online diagnostics	: Required
8.13	Power Supply	: 24V DC
8.14	QTY	: AS Required

Note: One number spare indicator (dual channel) shall be provided.

9.0 SIGNAL DISTRIBUTION CARDS

9.1	Type	Dual output current isolator
9.2	Input	4-20 mA DC
9.3	Output	Two nos 4-20m A isolated outputs as minimum
9.4	Isolation	Between input & output, Between power supply and between output and input
9.5	Accuracy	_ \pm 0.1 %
9.6	Power Supply	24V DC
9.7	Transmitter Power Supply	24V DC
9.8	Output load driving capacity	550ohms min for each output
9.9	Qty	As Required

STANDARD SPECIFICATION FOR CONTROL PANEL	Doc No.	Rev
	GAIL-STD-IN-DOC-TS-012	0
	Page 7 of 9	

10.0 ZENER BARRIERS / ISOLATORS CUM REPEATER**10.1** Type Active**10.2** Application Instrument Type

- a) 4-20 m A Analog I/P from 2 wire transmitter .
- b) RTD (4wire) Input output 4-20 mA analog O/P
- c) Limit switch (SPDT snap acting micro type) Output Pot. free contact
- d) Proximity switch (inductive type) output Pot. Free contacts
- e) solenoid valves 24V DC.

10.3 Hazardous Area Classification Zone 1 Gr IIA,IIB,T3**10.4** Approval FM/Basseefa/CSA/ATEX/CCOE/BIS/CMRI**10.5** Supply Volt 20-35V DC**10.6** Qty. As Required

ZENER BARRIERS/ISOLATORS CUM REPEATER AND SIGNAL DISTRIBUTION CARDS MAY BE COMBINED INTO ONE CARD.

10.7 MAKE MTL/P&F.**11.0 Drawings and Data**

- 11.1** Detailed drawings, data, catalogues and manuals required from the vendor are indicated by the purchaser in vendor data requirement sheets. The required number of prints, soft copies and reproducible shall be provided by contractor.
- 11.2** Basic engineering drawings required for preparation of detail panel drawings are provided in the tender.
- 11.3** Final documentation consisting of design data, installation manual, maintenance manual etc. submitted by the contractor after placement of purchase order shall include the following, as a minimum;
- a) Specification sheet for control panels, instruments and accessories.
 - b) Certified drawings for each control panel, which shall provide following details:
 - i) Control panel front arrangement drawing showing all dimensions including bezel/cut out dimensions.
 - ii) Loop wiring drawings showing the terminal numbers of each instrument/ accessory used in the wiring.
 - iii) Ladder drawings and relay wiring drawings showing terminal numbers for interlock/shutdown.
 - iv) Power supply distribution drawings with terminal numbers, incoming/ outgoing feeder size, fuse and isolator rating etc.

STANDARD SPECIFICATION FOR CONTROL PANEL	Doc No.	Rev
	GAIL-STD-IN-DOC-TS-012	0
	Page 8 of 9	

- c) Contractor shall provide test certificates for all the tests as per approved QAP.

- d) Calibration and maintenance procedure including replacement of instruments and accessories in contractor's scope, whenever it is applicable

STANDARD SPECIFICATION FOR CONTROL PANEL	Doc No.	Rev	
	GAIL-STD-IN-DOC-TS-012	0	
	Page 9 of 9		





GAIL INDIA LIMITED

**STANDARD SPECIFICATION FOR
PIG SIGNALLERS**

GAIL-STD-IN-DOC-TS-013

Rev	Date	Purpose	Prepared By	Checked By	Approved By
0	14.01.19	Issued for Standard	RKS	UNU	UNU



CONTENTS

1. SCOPE.....	3
2. MATERIALS	3
3. DESIGN AND CONSTRUCTION REQUIREMENTS	3
4. INSPECTION AND TESTS	3
5. TEST CERTIFICATES	3
6. PAINTING, MARKING AND SHIPMENT	4

1. SCOPE

This specification covers the basic requirements for the design and manufacture testing & supply of pig signallers, used for the detection of passage of scraper and instrumented gauging pigs, to be installed in pipeline systems handling RLNG.

2. MATERIALS

2.1 All materials used in the manufacture of the main components of the pig signalers shall be as indicated in the data sheets. Other components shall be as per manufacturer's standard suitable for the service conditions indicated in data sheets which will be subject to approval by Purchaser.

3. DESIGN AND CONSTRUCTION REQUIREMENTS

3.1 Pig signallers shall be Bi-directional, Non-Intrusive, Magnetic type.

3.2 Pig signallers shall be designed to meet the requirements of pipeline diameter indicated in the data sheet.

3.3 Pig signallers shall be provided with a visual indicator to indicate the passage of pigs.

3.4 Pig signallers shall be fitted with sealed, weather-proof and explosion proof micro switch for remote signal indication. The area classification and rating of micro switch shall be as indicated in data sheet. Suitable for installation in IEC- Zone II, Gas Group-IIA & IIB, T3 hazardous area, Micro switch shall have the following rating;

2 Amp, 240 Volts, 50 Hz,
Type: SPDT,

4. INSPECTION AND TESTS

4.1 Manufacturer shall perform all inspection and tests required to supply the signallers as per the requirements of this specification.

4.2 All pig signallers shall be visually inspected.

4.3 Chemical composition & mechanical properties including hardness shall be checked for each heat of steel used.

4.4 All welds shall be non destructively examined.


4.5 Manufacturers shall perform functional tests to establish satisfactory performance of both manual and electrical indications.

5. TEST CERTIFICATES

5.1 Manufacturer shall supply the test certificates for material compliance as per the relevant Material Standards.

5.2 Certificate for hydrostatic test and functional test

5.3 Test reports on heat treatment carried out, if any.

Standard Specification for Pig Signalers	Doc No.	Rev	
	GAIL-STD-IN-DOC-TS-013	0	
	Page 3 of 4		


6. PAINTING, MARKING AND SHIPMENT

6.1 Exterior surface of the pig signallers shall be thoroughly cleaned, freed from rust and grease and applied with sufficient coats of corrosion resistant paint. Manufacturer shall indicate the type and corrosion resistant paint used in the drawings submitted for approval. The minimum dry film thickness shall be 300 microns.

6.2 A corrosion resistant metal tag shall be permanently attached with each unit, with the following marking:-

- i) Manufacturer's name
- ii) Serial No.
- iii) Tag No.

6.3 Each unit shall be suitably protected to avoid any damage during transit. Care shall be exercised during packing to prevent any damage to the welding ends. All machined surfaces subject to corrosion shall be well protected by a coat of grease or other suitable materials.


Standard Specification for Pig Signalers	Doc No.	Rev	
	GAIL-STD-IN-DOC-TS-013	0	
	Page 4 of 4		




GAIL INDIA LIMITED

DATASHEET FOR PRESSURE TRANSMITTER (PT)

GAIL-STD-IN-DOC-DS-001

							
0	14.01.2019	Issued for Bid	RKS	UNU	UNU		
REV	Date	Purpose of Issue	Prepared By	Checked By	Approved By		Lyons Engineering Pvt. Ltd


CLIENT:														
QUANTITY:		AS PER P&ID												
1	Function	Transmission & Indication			Other Material		(*)							
2	Type	2 Wire, Electronic smart transmitter with HART Protocol.			Process Connection		(*)							
3	Case	Mfr. Std.			Size & Rating		(*)							
4	Mounting	Yoke			Facing & finish		(*)							
5	Elec. Area Class.	IEC Zone 1, Gr. II A/IB, Temp. class T3			Capillary Material		(*)							
6	Enclosure	WP to IP 65 as per IEC 60529			Armour Flexible		(*)							
7	Ex-Proof	NOTE - 3			Armour flexible material		(*)							
8	Power Supply	(*)			Capillary Length		(*)							
9	Cable Entry	1/2 " NPT(F) with SS plug			20	Fill Fluid	Silicone Oil							
10	Accuracy	"+/-" 0.075% or better of span (Note 1)			21	Zero Suppression & Elevation	100% of span							
11	Repeatability	40:1 or better			22	Zero & span adjustment	Continuously adjustable externally, non interactive type							
12	Transmitter Output	4-20mA DC			23	Adapter "O" ring	PTFE							
13	Load Driving Capability	(*)			24	Body Rating	(*)							
MEASURING UNIT					MISCELLANEOUS									
14	Service	Natural Gas			25	Over Range Protection	Yes							
15	Element	Diaphragm			26	Options	(*)							
16	Body Materials	SS 316			a)	Output meter :- Yes (LCD in Engg. Unit)								
17	Element Materials	SS 316 L			b)	Air Filler Regulator								
18	Process Connection	1/2" NPT (F) thru flange adapter with plug.			c)	Mounting Accessories suitable for 2" NB pipe :- Yes								
	Process Connection Location	Bottom			d)	2 Way manifold:- Yes								
19	Diaphragm Seat	(*)			27	Model	(*)							
	Wetted Parts Material	(*)												
Bill of Material (BOM)														
S.NO.	TAG NO.	Range (Barg)		Operating Pressure (Barg)	Maximum Operating		Fluid	Service	Options					
		Span	Set		Pressure (Barg)	Temperature (°C)								
1	ITC-7006-PT-01001	Note 6	0 ~ 150	60 ~ 95	98	(-)20 ~ 65	Gas	Natural Gas	a, c & d					
2	ITC-7006-PT-04001	Note 6	0 ~ 150	10 ~ 19	98	(-)20 ~ 65	Gas	Natural Gas	a, c & d					
3	ITC-7006-PT-01002A	Note 6	0 ~ 150	10 ~ 19	98	(-)20 ~ 65	Gas	Natural Gas	a, c & d					
4	ITC-7006-PT-01002B	Note 6	0 ~ 150	10 ~ 19	98	(-)20 ~ 65	Gas	Natural Gas	a, c & d					
5	ITC-7006-PT-06001A	Note 6	0 ~ 150	10 ~ 19	98	(-)20 ~ 65	Gas	Natural Gas	a, c & d					
6	ITC-7006-PT-06001B	Note 6	0 ~ 150	10 ~ 19	98	(-)20 ~ 65	Gas	Natural Gas	a, c & d					
7	ABU-4002-PT-01001	Note 6	0 ~ 150	60 ~ 95	98	(-)20 ~ 65	Gas	Natural Gas	a, c & d					
8	ABU-4002-PT-04001	Note 6	0 ~ 150	04 ~ 19	98	(-)20 ~ 65	Gas	Natural Gas	a, c & d					
9	SHI-1276-PT-01001	Note 6	0 ~ 150	75 ~ 95	98	(-)20 ~ 65	Gas	Natural Gas	a, c & d					
10	SHI-1276-PT-04001	Note 6	0 ~ 150	10 ~ 19	98	(-)20 ~ 65	Gas	Natural Gas	a, c & d					
11	PIN-4004-PT-01001	Note 6	0 ~ 150	60 ~ 95	98	(-)20 ~ 65	Gas	Natural Gas	a, c & d					
12	PIN-4004-PT-04001	Note 6	0 ~ 150	10 ~ 19	98	(-)20 ~ 65	Gas	Natural Gas	a, c & d					
NOTES:- (*) Vendor to furnish														
	1	Accuracy includes the combined effect of repeatability, linearity, hysteresis etc.												
	2	Operating principle of transmitters shall be capacitance / peizo resistance												
	3	Transmitter shall be Intrinsically safe.												
	4	Transmitters shall have Lightning Protection.												
	5	Transmitter Load Resistance shall be Max 600Ω @ 24 V DC												
	6	Contractor shall develop detailed datasheets with all the required information like span, make/model etc. during detailed engineering.												
	7	Manifold Shall be of Swgelok or Parker Only.												
	8	PESO/CCOE certificate for specified hazardous area classification is required with transmitters.												
	9	2 Nos cable entries shall be provided with one cable entry plugged with weather proof plug.												
					PRESSURE TRANSMITTERS					DOCUMENT NO.		Rev.		
										GAIL-STD-IN-DOC-DS-001				0
										SHEET 1 of 1				



GAIL INDIA LIMITED

DATASHEET FOR TEMPERATURE TRANSMITTER (TT)

GAIL-STD-IN-DOC-DS-002

						
0	14.01.2019	Issued for Bid	RKS	UNU	UNU	
REV	Date	Purpose of Issue	Prepared By	Checked By	Approved By	

CLIENT:		
QUANTITY: AS PER P&ID		
1	Function	Transmission & Indication
2	Type	2 Wire, Electronic smart transmitter with HART Protocol.
3	Case	Mfr. Std.
4	Mounting	Yoke & Remote
5	Elec. Area Class.	IEC Zone 1, Gr. II A/II B, Temp. class T3
6	Enclosure	WP to IP 65 as per IEC 60529 / IS 2147
7	Intrinsically Safe	Yes
8	Power Supply	24 VDC, 2 Wire
9	Cable Entry	1 Nos 1/2" NPTF for output signal + 1 Nos. 1/2" or 3/4" NPTF for RTD signal wire
10	Accuracy	±0.18% or better of span
11	Self Diagnostic Facility	Yes
12	Cold Junction Compensation	(*)
13	Transmitter Output	4-20 mA DC
14	Load Capability	(*)
15	Sensor Element	(*)
16	Calibration	As per DIN 43760
17	Options	(*)
	a)	Mount. Accessories for 2" NB Pipe
	b)	Integral output meter
18	Model	(*)
19	Quantity	(*)

Bill of Material (BOM)

S.NO.	TAG NO.	Range (°C)		Temperature (°C)		SERVICE	OPTIONS
		Adjustable	Set	Operating (Nor)	Design (Max)		
1	ITC-7006-TT-01001	Note 5	(-) 20 ~ 100	20	(-) 20 ~ 65	Natural Gas	a,b
2	ITC-7006-TT-04001	Note 5	(-) 20 ~ 100	20	(-) 20 ~ 65	Natural Gas	a,b
3	ITC-7006-TT-01002A	Note 5	(-) 20 ~ 100	20	(-) 20 ~ 65	Natural Gas	a,b
4	ITC-7006-TT-01002B	Note 5	(-) 20 ~ 100	20	(-) 20 ~ 65	Natural Gas	a,b
5	ITC-7006-TT-06001A	Note 5	(-) 20 ~ 100	20	(-) 20 ~ 65	Natural Gas	a,b
6	ITC-7006-TT-06001B	Note 5	(-) 20 ~ 100	20	(-) 20 ~ 65	Natural Gas	a,b
7	ABU-4002-TT-01001	Note 5	(-) 20 ~ 100	20	(-) 20 ~ 65	Natural Gas	a,b
8	ABU-4002-TT-04001	Note 5	(-) 20 ~ 100	20	(-) 20 ~ 65	Natural Gas	a,b
9	SHI-1276-TT-01001	Note 5	(-) 20 ~ 100	20	(-) 20 ~ 65	Natural Gas	a,b
10	SHI-1276-TT-04001	Note 5	(-) 20 ~ 100	20	(-) 20 ~ 65	Natural Gas	a,b
11	PIN-4004-TT-01001	Note 5	(-) 20 ~ 100	20	(-) 20 ~ 65	Natural Gas	a,b
12	PIN-4004-TT-04001	Note 5	(-) 20 ~ 100	20	(-) 20 ~ 65	Natural Gas	a,b

NOTES:- (*) Vendor to furnish

- 1) PESO/CCOE certificate for specified hazardous area classification is required with transmitters.
- 2) Transmitters shall have Lightning Protection.
- 3) Transmitter Load Resistance shall be Max 600Ω @ 24 V DC
- 4) Temperature transmitter shall be dual compartment type.
- 5) Contractor shall develop detailed datasheets with all the required information like span, make/model etc. during detailed engineering.


	TEMPERATURE TRANSMITTERS	DOCUMENT NO.	Rev.
		GAIL-STD-IN-DOC-DS-002	0
		SHEET 1 of 1	



GAIL INDIA LIMITED

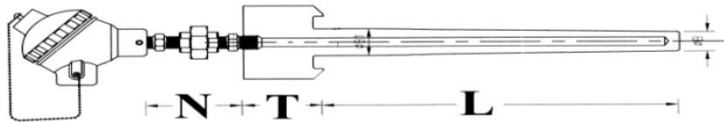
DATASHEET FOR TEMPERATURE ELEMENT (RTD) WITH THERMOWELL

GAIL-STD-IN-DOC-DS-003

							
0	14.01.2019	Issued for Bid	RKS	UNU	UNU		
REV	Date	Purpose of Issue	Prepared By	Checked By	Approved By		Lyons Engineering Pvt. Ltd

CLIENT:	
QUANTITY: AS PER P&ID	

1	Assembly	As per drawing	12	Cable Entry	1/2" NPT	
2	Element	4 Wire RTD Class A type	13	No. of Entries	Two	
3	No. of Elements	Duplex	14	Enclosure Type	WP to IP 65 as per IEC 60529 / IS 2147 and Ex-Proof (IS 2148)	
4	Calibration	As per DIN 43760 / IEC 60751	THERMOWELL			
5	Element Material	Pt-100, Class A	15	Material	SS 316	
6	Resistance at 0 deg. Celsius	100 Ω	16	Construction	Drilled bar stock upto immersion length 500 mm, otherwise fabricated	
7	Leads	Hermetically Sealed	17	Process Connection	2" But-Weld	
8	Sheath	(*)	18	Inst. Connection	1/2" NPT	
	a)	O.D.	8 mm	20	Thermowell Dwg	
	b)	Material	SS 316	21	Options	(*)
9	Nipple & Union Material	SS 316	a)	Extra nipple extents	150 mm	
10	No. of Wires	Four Wires	b)			
			c)			
HEAD						
MEASURING UNIT						
11	Head Cover Type	Screw Cap of Die Cast Aluminium with SS chain				



Bill of Material (BOM)

S.NO.	TAG NO.	Element Length	Temperature (°C)		Thermowell			Service	Options	
			Operating (Nor)	Design (Max)	Material	Dimension				
						N	T			L
1	ITC-7006-TE-01001	Note 1	20	(-) 20 ~ 65	SS 316L	(*)	(*)	(*)	Natural Gas	
2	ITC-7006-TE-04001	Note 1	20	(-) 20 ~ 65	SS 316L	(*)	(*)	(*)	Natural Gas	
3	ITC-7006-TE-01002A	Note 1	20	(-) 20 ~ 65	SS 316L	(*)	(*)	(*)	Natural Gas	
4	ITC-7006-TE-01002B	Note 1	20	(-) 20 ~ 65	SS 316L	(*)	(*)	(*)	Natural Gas	
5	ITC-7006-TE-06001A	Note 1	20	(-) 20 ~ 65	SS 316L	(*)	(*)	(*)	Natural Gas	
6	ITC-7006-TE-06001B	Note 1	20	(-) 20 ~ 65	SS 316L	(*)	(*)	(*)	Natural Gas	
7	ABU-4002-TE-01001	Note 1	20	(-) 20 ~ 65	SS 316L	(*)	(*)	(*)	Natural Gas	
8	ABU-4002-TE-04001	Note 1	20	(-) 20 ~ 65	SS 316L	(*)	(*)	(*)	Natural Gas	
9	SHI-1276-TE-01001	Note 1	20	(-) 20 ~ 65	SS 316L	(*)	(*)	(*)	Natural Gas	
10	SHI-1276-TE-04001	Note 1	20	(-) 20 ~ 65	SS 316L	(*)	(*)	(*)	Natural Gas	
11	PIN-4004-TE-01001	Note 1	20	(-) 20 ~ 65	SS 316L	(*)	(*)	(*)	Natural Gas	
12	PIN-4004-TE-04001	Note 1	20	(-) 20 ~ 65	SS 316L	(*)	(*)	(*)	Natural Gas	

NOTES:- (*) Vendor to furnish

- 1) Element length shall be suitable for thermowell.
- 2) Thermowell immersion length shall be selected in such a way that tip of thermowell shall preferably be at the centre of pipe to sense temperature properly.
- 3) RTD element shall be 4-wire, duplex type, Class A tolerance, Pt-100
- 4) Vendor to furnish GAD of complete assembly (TG with T/W), WFC Calculation as per the latest PTC 19.3.



RESISTANCE TEMPERATURE DETECTORS (RTD) WITH THERMOWELL

DOCUMENT NO.

Rev.

GAIL-STD-IN-DOC-DS-003

0


SHEET 1 of 1



GAIL INDIA LIMITED

DATASHEET FOR GAS DETECTOR

GAIL-STD-IN-DOC-DS-004

						
0	14.01.2019	Issued for Bid	RKS	UNU	UNU	
REV	Date	Purpose of Issue	Prepared By	Checked By	Approved By	Lyons Engineering Pvt. Ltd

CLIENT:		
QUANTITY: AS PER P&ID		
1	Tag Number	Refer below BOM
2	Qty.	12 Nos.
3	Hazardous area Classification	Zone-1, Div. 1, Group IIA & IIB, T3
4	P&ID Number	GAIL -ENG-7006-PR-DWG-PID-002/003/007/011/013
5	Technology	IR based
6	Ambient Tempertaure	25 ~ 30°C
7	Electrical Certification	Intrinsically Safe(Ex 'ia') or Ex 'd'
8	Protection	IP 65 as per IEC 60529
9	Housing material	Stainless steel 316, Flameproof
10	Low Explosive Limit (LEL)	1 (% v/v in Air)
11	Range	0 ~ 100% LEL and Detection Range upt 15 feet.
12	Accuracy	± 2% LEL
13	Immunity to catalytic poisoning	Required
14	Temperature compensation	Required
15	Output	4~20 mA DC HART
16	Power supply	24V DC
17	Type of wiring	3-Wire
18	Cable Entry	3/4" NPTF
19	Response time	Less than T90 < 12 sec
20	Sensor life	5 Years
21	Self diagnostic facility	Required
22	Fail safety	Required
23	Mounting Accessories	Refer Note 2
24	Dustguard & Splashguard	Required
25	Integral meter	Digital LED type
26	High concentration alarm	Required
27	High concentration switch	Not Required
28	Model No.	(*)
29	Make	(*)

Bill of Material (BOM)

S.NO.	TAG NO.	Type of Gas Detector	Remarks
1	ITC-7006-GDPA-01001	Point Gas Detector	
2	ITC-7006-GDPA-01002	Point Gas Detector	
3	ITC-7006-GDPA-01003	Point Gas Detector	
4	ITC-7006-GDPA-01004	Point Gas Detector	
5	14.01.2019	Point Gas Detector	
6	ITC-7006-GDPA-06002	Point Gas Detector	
7	ABU-4002-GDPA-01001	Point Gas Detector	
8	ABU-4002-GDPA-01002	Point Gas Detector	
9	SHI-1276-GDPA-01001	Point Gas Detector	
10	SHI-1276-GDPA-01002	Point Gas Detector	
11	PINSHI-4004-GDPA-01001	Point Gas Detector	
12	PINSHI-4004-GDPA-01002	Point Gas Detector	

NOTES:- (*) Vendor to furnish

1)	Instrument shall be tested by any recognised authority like BASEEFA, FM, PTB, CMRI etc. and certified by Petroleum and Explosives Safety Organisation (PESO) / Chief Controller of Explosives (CCOE) in India.
2)	Mounting Brackets shall be suitable to 2" pipe mounting. The bolts and nuts shall be alloy steel as per ASTM A193 Gr. B7 and ASTM A194 Gr. 2H (Hot dipped Galvanized or zinc Plated) respectively. Other accessories shall be zinc Plated.



POINT GAS DETECTOR

DOCUMENT NO.


Rev.

GAIL-STD-IN-DOC-DS-004

0

SHEET 1 of 3

CLIENT:			
QUANTITY: AS PER P&ID			
1	Tag Number	Refer below BOM	
2	Qty.	12 Nos.	
3	Hazardous area Classification	Zone-1, Div. 1, Group IIA & IIB, T3	
4	P&ID Number	GAIL -ENG-7006-PR-DWG-PID-002/003/007/011/013	
5	Ambient Tempertaure	25 ~ 30°C	
6	Technology	IR based (Transmitter & Receiver type)	
7	Electrical Certification	Intrinsically Safe(Ex 'ia') or Ex 'd'	
8	Protection	IP 65 as per IEC 60529	
9	Housing material	Stainless steel 316, Flameproof	
10	Low Explosive Limit (LEL)	1 (% v/v in Air)	
11	Range	0 ~ 100% LEL and Detection Range 5 to 100 mtrs.	
12	Accuracy	± 2% LEL	
13	Immunity to catalytic poisoning	Required	
14	Temperature compensation	Required	
15	Output	4~20 mA DC HART	
16	Power supply	24V DC	
17	Type of wiring	3-Wire	
18	Cable Entry	3/4" NPTF	
19	Response time	Less than T90 < 5 sec	
20	Sensor life	5 Years	
21	Self diagnostic facility	Required	
22	Fail safety	Required	
23	Mounting Accessories	Refer Note 2	
24	Dustguard & Splashguard	Required	
25	Integral meter	Digital LED type	
26	High concentration alarm	Required	
27	High concentration switch	Not Required	
28	Model No.	(*)	
29	Make	(*)	
Bill of Material (BOM)			
S.NO.	TAG NO.	Type of Gas Detector	Remarks
1	ITC-7006-AE(T/R)-01001	Open Path Gas Detector	
2	ITC-7006-AE(T/R)-01002	Open Path Gas Detector	
3	ITC-7006-AE(T/R)-01003	Open Path Gas Detector	
4	ITC-7006-AE(T/R)-01004	Open Path Gas Detector	
5	14.01.2019	Open Path Gas Detector	
6	ITC-7006-AE(T/R)-06002	Open Path Gas Detector	
7	ABU-4002-AE(T/R)-01001	Open Path Gas Detector	
8	ABU-4002-AE(T/R)-01002	Open Path Gas Detector	
9	SHI-1276-AE(T/R)-01001	Open Path Gas Detector	
10	SHI-1276-AE(T/R)-01002	Open Path Gas Detector	
11	PINSHI-4004-AE(T/R)-01001	Open Path Gas Detector	
12	PINSHI-4004-AE(T/R)-01002	Open Path Gas Detector	
NOTES:-			
		(*) Vendor to furnish	
1)	Instrument shall be tested by any recognised authority like BASEEFA, FM, PTB, CMRI etc. and certified by Petroleum and Explosives Safety Organisation (PESO) / Chief Controller of Explosives (CCOE) in India.		
2)	Mounting Brackets shall be suitable to 2" pipe mounting. The bolts and nuts shall be alloy steel as per ASTM A193 Gr. B7 and ASTM A194 Gr. 2H (Hot dipped Galvanized or zinc Plated) respectively. Other accessories shall be zinc Plated.		
3)	Detector able to operate even when obscured by fog, rain, dust, snow or blowing sand.		
4)	Detector shall be based on Transmitter module & Receiver Module.		
		OPEN PATH GAS DETECTOR	DOCUMENT NO.
			GAIL-STD-IN-DOC-DS-004
			Rev.
		SHEET 2 of 3	0


CLIENT:		TECHNICAL DATA SHEET - IR TYPE PORTABLE GAS DETECTOR	
QUANTITY - AS PER REQUIREMENT			
Sr No.	Parameter	Typical requirements	
GENERAL CHARACTERISTICS			
1	Manufacture	(*)	
2	Model	(*)	
3	Part No.	(*)	
4	Quantity	5 Nos.	
DETECTOR CHARACTERISTICS			
5	Sensor Type	Non-Dispersive Type IR Absorption	
6	Detection Method	Diffusion Type	
7	Detector Range	0 to 100% Vol. CH4, 0-30% vol. O2	
8	Warm Up Time	Less than 5 Mins.	
9	Response Time	≤ 15 Secs.	
10	Battery	Rechargeable Li-ion Type, Battery back up time is 18 hours and recharge time is < 6 hours.	
11	Display	Monochrome graphical LCD display (128 X 160) with backlighting (activated automatically in dim ambient lighting conditions when monitor is in alarm or with a button press), Automatic screen flipping.	
12	Display Readout	Real-time reading of gas concentrations; battery status; datalogging on/off; STEL, TWA, Peak, and minimum values, Various instrument status related information.	
13	Alarms	Multi-tone audible (95 db @30 cm), Vibration, Visible (flashing bright red LEDs), on-screen indication of alarm conditions and Man Down Alarm with pre-alarm.	
14	Datalogging	Continuous datalogging (six months for 5 sensors at 1-minute intervals, 24/7) or User configurable datalogging interval (from 1 to 3600 seconds).	
15	Monitoring Object	Natural Gas Leak, O2	
16	Calibration Gas	Methane	
17	Calibration	Pre-Calibrated with Methane (Valid Calibration Certificate shall be provided). O2 (with valid calibration certificates).	
18	Self Test & Diagnostics	Fitted	
ENVIRONMENTAL PROTECTION			
17	Hazardous Area Classification	II 2G Ex ia d IIC T4 Gb	
18	Ingress Protection	IP 65	
19	Operating Humidity	0 to 95% RH (Non-Condensing)	
20	Operating/Ambient Temp. Range	- 20 to 50 deg C	
21	Storage Temp. Range	- 20 to 50 deg C	
MECHANICAL CHARACTERISTICS			
22	Total Weight		
23	Dimensions		
24	Mounting		
25	Accessories	Travel Charger, AC Adapter, Calibration Adapter	
Note: (*) Vendor to furnish			
1. Required certificates has to be submitted by Contractor.			
	DATA SHEET - IR TYPE PORTABLE GAS DETECTOR	DOCUMENT NO.	Rev.
		GAIL-STD-IN-DOC-DS-004	0
		SHEET 3 of 3	



GAIL INDIA LIMITED

DATASHEET FOR PRESSURE GAUGES (PG)

GAIL-STD-IN-DOC-DS-005

							
0	14.01.2019	Issued for Bid	RKS	UNU	UNU		
REV	Date	Purpose of Issue	Prepared By	Checked By	Approved By		Lyons Engineering Pvt. Ltd

CLIENT:					
QUANTITY: AS PER P&ID					
1	Type	Direct	Wetted Parts Material	(*)	
2	Mounting	Local	Other Material	(*)	
3	Dial Size	150 mm	Process Connection	1/2"	
4	Colour	White with black inscription	Size & rating	(*)	
5	Case Material	SS 316	Facing & finish	(*)	
6	Bezel Ring	Beyonnet type SS 316	Capillary Material	(*)	
7	Window Material	Shatterproof glass	Armour Flexible Material	(*)	
8	Enclosure	WP to IP 65 as per IEC 60529/IS 2147	Capillary Length	(*)	
9	Pressure Element	Bourdon	Flushing/filling connection with	(*)	
10	Element Material	SS 316	17 Over range protection	130 % of FSD	
11	Socket Material	SS 316	18 Blow out protection	Yes	
12	Accuracy	"+/-" 1% of FSD	19 Options		
13	Zero Adjustment	Micropointer - External Type	a) Scrubber	b) Syphon	
14	Connection	1/2" NPT(M)	c) Gauge Saver	d) Liquid filled casing	
	Connection location	Bottom	e) Vaccum protection	f) Solid front	
15	Movement	SS 316	g) Three valve manifold	Yes (*)	
16	Diaphragm Seat	Rigid			
	Type	(*)			

Bill of Material (BOM)

Sl. No.	Tag No.	Range (Barg)	Operating Pressure (Barg)	Maximum Service		Fluid	Service	Options
				Pressure (Barg)	Temperature (°C)			
1	ITC-7006-PG-01003A	0 ~ 160	10 ~ 19	98	(-) 20 ~ 65°C	Gas	Natural Gas	c, d, f, g
2	ITC-7006-PG-01003B	0 ~ 160	0 ~ 01	98	(-) 20 ~ 65°C	Gas	Natural Gas	c, d, f, g
3	ITC-7006-PG-01002A	0 ~ 160	10 ~ 19	98	(-) 20 ~ 65°C	Gas	Natural Gas	c, d, f, g
4	ITC-7006-PG-06001	0 ~ 160	10 ~ 19	98	(-) 20 ~ 65°C	Gas	Natural Gas	c, d, f, g
5	ITC-7006-PG-06002	0 ~ 160	10 ~ 19	98	(-) 20 ~ 65°C	Gas	Natural Gas	c, d, f, g
6	ITC-7006-PG-06002A	0 ~ 160	10 ~ 19	98	(-) 20 ~ 65°C	Gas	Natural Gas	c, d, f, g
7	ITC-7006-PG-06002B	0 ~ 160	0 ~ 01	98	(-) 20 ~ 65°C	Gas	Natural Gas	c, d, f, g
8	ITC-7006-PG-09001	0 ~ 160	0 ~ 01	98	(-) 20 ~ 65°C	Gas	Natural Gas	c, d, f, g
9	ITC-7006-PG-09002	0 ~ 160	0 ~ 01	98	(-) 20 ~ 65°C	Gas	Natural Gas	c, d, f, g
10	MDR-4003-PG-01001	0 ~ 160	60 ~ 95	98	(-) 20 ~ 65°C	Gas	Natural Gas	c, d, f, g
11	MDR-4003-PG-06001	0 ~ 160	60 ~ 95	98	(-) 20 ~ 65°C	Gas	Natural Gas	c, d, f, g
12	MDR-4003-PG-06002	0 ~ 160	12 ~ 19	98	(-) 20 ~ 65°C	Gas	Natural Gas	c, d, f, g
13	ABU-4002-PG-06001	0 ~ 100	04 ~ 19	49	(-) 20 ~ 65°C	Gas	Natural Gas	c, d, f, g
14	ABU-4002-PG-07001	0 ~ 100	04 ~ 19	49	(-) 20 ~ 65°C	Gas	Natural Gas	c, d, f, g
15	ABU-4002-PG-07002	0 ~ 100	04 ~ 19	49	(-) 20 ~ 65°C	Gas	Natural Gas	c, d, f, g
16	ABU-4002-PG-13002	0 ~ 100	04 ~ 19	49	(-) 20 ~ 65°C	Gas	Natural Gas	c, d, f, g
17	ABU-4002-PG-15001	0 ~ 100	04 ~ 19	49	(-) 20 ~ 65°C	Gas	Natural Gas	c, d, f, g
18	ABU-4002-PG-15002	0 ~ 100	04 ~ 19	49	(-) 20 ~ 65°C	Gas	Natural Gas	c, d, f, g
19	ABU-4002-PG-18001	0 ~ 100	04 ~ 19	49	(-) 20 ~ 65°C	Gas	Natural Gas	c, d, f, g

20	ABU-4002-PG-18002	0 ~ 100	04 ~ 19	49	(-) 20 ~ 65°C	Gas	Natural Gas	c, d, f, g
21	ABU-4002-PG-08001	0 ~ 100	04 ~ 19	49	(-) 20 ~ 65°C	Gas	Natural Gas	c, d, f, g
22	ABU-4002-PG-08002	0 ~ 100	04 ~ 19	49	(-) 20 ~ 65°C	Gas	Natural Gas	c, d, f, g
23	SHI-1276-PG-06001	0 ~ 160	10 ~ 19	98	(-) 20 ~ 65°C	Gas	Natural Gas	c, d, f, g
24	SHI-1276-PG-06002	0 ~ 160	10 ~ 19	98	(-) 20 ~ 65°C	Gas	Natural Gas	c, d, f, g
25	PIN-4004-PG-06001	0 ~ 160	10 ~ 19	98	(-) 20 ~ 65°C	Gas	Natural Gas	c, d, f, g
26	PIN-4004-PG-06002	0 ~ 160	10 ~ 19	98	(-) 20 ~ 65°C	Gas	Natural Gas	c, d, f, g


NOTES:-		* Vendor to furnish	
	1)	Gauge Saver shall be provide with Low Pressure Gauges on Pig Launcher & Receiver.	
	2)	Manifold shall be of Swgelok or Parker Only.	
	3)	Contractor shall develop detailed datasheets with allthe required information like make/model etc during detailed engineering.	

	PRESSURE GAUGE	DOCUMENT NO.	Rev.
		GAIL-STD-IN-DOC-DS-005	0
		SHEET 2 of 2	



GAIL INDIA LIMITED

DATASHEET FOR TEMPERATURE GAUGES (TG)
GAIL-STD-IN-DOC-DS-006

							
0	14.01.2019	Issued for Bid	RKS	UNU	UNU		
REV	Date	Purpose of Issue	Prepared By	Checked By	Approved By		Lyons Engineering Pvt. Ltd


CLIENT:										
QUANTITY: AS PER P&ID										
1	Type	Bimetalic	17	Extension Type	Rigid					
2	Well	Required	18	Bulb diameter	To suit thermowell					
3	Mounting	Local	19	Capillary Material	WP to IP 65 as per IEC 60529 /IS 2147					
4	Dial Size	150 mm		Armour flexible	(*)					
5	Colour	White with black inscription		Armour Material	(*)					
6	Case Material	Cast Aluminium		Capillary Length	(*)					
7	Window Material	Shatter proof glass	20	Over Range protection						
8	Conn. Location	Bottom	THERMOWELL							
9	Accuracy	"±" 1% of FSD	21	Material	SS 316					
10	Enclosure	WP to IP 65 as per IEC 60529 / IS 13947	21	Options	(*)					
11	Zero adj. screw	Required External Type	22	Construction	Drilled bar stock upto immersion length 500mm, otherwise fabricated					
BIMETAL			23	Process Connection	Welded					
12	Stem		24	Gauge Connection	1/2" NPT(F)					
	Type	(*)	25	Thermowell Dwg.	(*)					
	Material	(*)	26	Over Range protection	(*)					
	Size	(*)	27	Options	(*)					
13	Stem Diameter	(*)	a)	Liquid Filled	Yes					
	Filled System	(*)	b)							
14	SAMA class	V	c)							
	Compensation	Case								
15	Bulb Type	Adjustable Union								
	Bulb Material	SS 316								
16	Bulb Union Threaded to	1/2" NPT(M)								
Bill of Material (BOM)										
Sl. No.	Tag No.	Range	Temperature (°C)		Thermowell			Service	Options	
			Operating (Nor)	Design (Max)	Material	Dimension				
						N	T			L
1	ITC-7006-TG-09001	(-) 20°C ~ 100°C	20°C	(-) 20°C ~ 65°C	(*)	(*)	(*)	Natural Gas		
2	MDR-4003-TG-06001	(-) 20°C ~ 100°C	20°C	(-) 20°C ~ 65°C	(*)	(*)	(*)	Natural Gas		
3	ABU-4002-TG-06002	(-) 20°C ~ 100°C	20°C	(-) 20°C ~ 65°C	(*)	(*)	(*)	Natural Gas		
4	ABU-4002-TG-07001	(-) 20°C ~ 100°C	20°C	(-) 20°C ~ 65°C	(*)	(*)	(*)	Natural Gas		
5	ABU-4002-TG-15001	(-) 20°C ~ 100°C	20°C	(-) 20°C ~ 65°C	(*)	(*)	(*)	Natural Gas		
6	ABU-4002-TG-18001	(-) 20°C ~ 100°C	20°C	(-) 20°C ~ 65°C	(*)	(*)	(*)	Natural Gas		
7	ABU-4002-TG-08001	(-) 20°C ~ 100°C	20°C	(-) 20°C ~ 65°C	(*)	(*)	(*)	Natural Gas		
8	SHI-1276-TG-06002	(-) 20°C ~ 100°C	20°C	(-) 20°C ~ 65°C	(*)	(*)	(*)	Natural Gas		
9	PIN-4004-TG-06002	(-) 20°C ~ 100°C	20°C	(-) 20°C ~ 65°C	(*)	(*)	(*)	Natural Gas		
NOTES:-		(*) Vendor to furnish								
	U	Immersion length								
	T	Lagging Extension								
	1)	Element length shall be suitable for thermowell.								
	2)	U-length shall be selected in such a way that the thermowell tip shall be preferably at the centre of pipe to sense the temperature accurately.								
		TEMPERATURE GAUGE				DOCUMENT NO.		Rev.		
						GAIL-STD-IN-DOC-DS-006		0		
						SHEET 1 of 1				



GAIL INDIA LIMITED

DATASHEET FOR PRESSURE SAFETY VALVE (PSV)

GAIL-STD-IN-DOC-DS-007

							
0	14.01.2019	Issued for Bid	RKS	UNU	UNU		
REV	Date	Purpose of Issue	Prepared By	Checked By	Approved By		Lyons Engineering Pvt. Ltd

CLIENT:	
QUANTITY:	As Per P&ID

PSV

UNITS: Flow-> Liquid- m³/hr Gas- Sm³/hr Steam- kg/hr Pressure->Barg Temperature-> Deg C Level/Length-> mm

General	1	Tag No.	Quantity	ITC-7006-PSV-01001 / 06001	2 nos.
	2	Line No.	Schedule	X"-NG-01013-6D1-P / X"-NG-06010-6D1-P	600# / 150#
	3	Vessel No.		ITC-7006-PL-01001 / ITC-7006-PR-06001	
Valve	4	Safety / Relief		Pressure Safety Valve	
	5	Full Nozzle Full Lift/Mod. Nozzle		Full nozzle full lift	
	6	Bonnet type		Closed	
	7	Conv./Bellows/Pilot Operated		Conventional	
	8	Inlet Conn.	Size & Rating	As per P&ID	
	9		Facing & Finish	*	
	10	Outlet Conn.	Size & Rating	As per P&ID	
	11		Facing & Finish	*	
	12	Cap Over Adj. Bolt		Yes	
	13		Screwed / Bolted	Bolted	
Material	14	Lifting Gear - Type			
	15	Test Gag		Yes	
	16	Lever(Plain/Packed)		*	
	17				
	18	Body and Bonnet		A352 Gr LCC / A 350 LF2 / A 351 CF8M	
	19	Nozzle and Disc		SS316	
Options	20	Spring		As per API 526	
	21	Bellows		--	
	22				
	23				
	24	Resilient Seat Seal		--	
	25				
	26				
	27	Code		ASME / API	
Basis	28				
	29				
Service conditions	30	Fluid	State	Natural Gas	Gas
	31	Corrosive Constituent			
	32	Required Flow Capacity		0.578 MMSCMD	
	33	Mol.Wt.	S.G. at Rel. Temp	17.95	
	34	Oper. Pressure	Normal	10 ~ 19	
	35	Oper. Temp.	Rel. Temp.	(-) 20 ~ 65°C	
	36	Valve Discharges to		Atmosphere	
	37	Back Press.	Const. Or Variable	Constant	
	38	Set Pressure (Barg)		98	
	39	Cold Bend Test Pressure			
	40	% Over Pressure	% Blow Down	21%	As per API / ASME
	41	Cp/Cv (k)	Compressibility Factor	1.29%	0.97
	42	Viscosity @ Rel. Temp.	mPas(cP)		
	43	Vess. Wall Temp.	Surf.Area-m2		
	44	Max & Min Pressure (Barg)		10 ~ 19	
	Orifice	45	Calculated Area cm2		*
46		Sel. Area cm2	Orifice Design	*	*
47		No. of Valves Req'd. for capacity		*	
48		Tota Area - cm2		*	
49		Actual Flow Capacity		*	
50					
NOTES:	51	Model No.		*	
	52	CCOE		Yes	
	53	Radiography		100%	
	54	ASME UV/NB		Yes	

- NOTES:
- *1: Vendor to furnish
 - 1 At the time of approval, vendor shall furnish sizing calculation and catalogues of PSV.
 - 2 Test GAG Required for safety valve & Pressure Safety valve shall be fire case type.
 - 3 Vendor to submit Sizing sheet, Model Decodification sheet, Catalogue, Drawings and QAP for approval.



Data Sheet of Pressure Safety Valve


DOCUMENT NO.	Rev.
GAIL-STD-IN-DOC-DS-007	0



GAIL INDIA LIMITED

**DATASHEET FOR SCRAPPER/PIG SIGNALLER/DETECTOR - INTRUSIVE
TYPE**

GAIL-STD-IN-DOC-DS-008

							
0	14.01.2019	Issued for Bid	RKS	UNU	UNU		
REV	Date	Purpose of Issue	Prepared By	Checked By	Approved By	Lyons Engineering Pvt. Ltd	


CLIENT:								
QUANTITY: AS PER P&ID								
1	General	Tag No. & Quantity	As per BOM below					
2		Make	(*)					
3		Model	(*)					
4		Service	Outdoor,unprotected					
5		Ambient temp.	0°C ~55°C					
6		Relative Humidity	0.98					
7		Area Classification	Zone-2, IIA/II B T3					
8	Process Condition	Process Fluid	Natural Gas					
9		Gas Temperature (Design)	(-)20~60 (Under Ground); (-)20~65 (Above Ground)					
10		Line gas Pressure (Design)	(*)					
11		Multiphase Product	No					
12	Pig Details	Pig Material	Carbon Steel (*)					
13		Pig Length	(*)					
14		Pig Diameter (O. D.)	95% ~ 100 % of Pipeline ID					
15		Pig Velocity (Max.)	8 m/Sec					
16	Sensing Element	Type	Intrusive (Bi-directional)					
17		Mounting	On Above Ground Pipe					
18		Detection Speed	By Vendor					
19		Connection	Welded on Scrapper Barrel					
20		Body Material	ASTM A 350 LF 2					
21		Corrosion Allowance	1.6 mm					
22		Internals	SS 316 or better					
23		Type of neck	Short neck					
24	Body enclosure	Anti-corrosive epoxy painted						
25	Switch	Enclosure type	EEx 'd', IP 65					
26		Electrical Entry	1/2" NPTF(Note-3)					
27		Signal Output	Potential free contact SPDT (2 NOS.)/ DPDT (1 NO.)					
28		Setting	Adjustable (Factory set for Scrapper passage/detection signal)					
29		Type	Limit switch / Proximity Switch Hermetically sealed; auto reset (restores to normal Position after actuation). Make – As per vendor list					
30		Contact Rating	24 VDC, 2A					
31		Response Time	(*)					
32	Barrel Specification	Pipeline Diameter (NB)	6"					
33		Pipeline wall Material API 5L Gr. (PSL-2)	X-52					
34		Wall Thickness (mm)	6.4 mm (Main Pipeline)					
35		Min. Pipeline Coating Thickness (External-3 Layer Polyethylene)	Minimum 2.7 mm					
36	Others	Local Indicator	Mechanical visual (flag) with manual reset					
37		Local Reset Buton	Black Colour, Eexd, IP65					
38		Ball valves for removing scraper detector for servicing	Required					
39		Jacking bracket for removal of scraper detector	Required					
Bill of Material(BOM)								
Sr. No.	Station No.	Tag No.	Line Size	Operating temp (°C)		Line Gas pressure (barg)		Remarks
				Normal	Max.	Normal	Max.	
1	Existing SV - 7006 of BJPL (New Despatch Terminal	ITC-7006-XXS-01001	ITC-7006-PL-01001					
2	Existing SV - 7006 of BJPL (New Despatch Terminal	ITC-7006-XXS-01002	6"-NG-01019-XS2-P					
3	ITC Food Park - Kapurthala (New Receiving Terminal	ITC-7006-XXS-06002	ITC-7006-PR-06001					
4	ITC Food Park - Kapurthala (New Receiving Terminal	ITC-7006-XXS-06001	6"-NG-06005-XS2-P					
NOTES:-								
1	(*) To be provided by Vendor.							
2	Pig Signallers shall be with isolation valve (Full Bore) for On-line repair. Valve material shall be LTCS.							
3	Visual Indicator with manual reset shall be provided.							
4	Material Compliance as per EN 10204 3.2 Certificate.							
5	Painting shall be suitable for Corrosive Industrial environment.							
		DATASHEET FOR SCRAPPER/PIG SIGNALLER/DETECTOR - INTRUSIVE TYPE				DOCUMENT NO.		Rev.
						GAIL-STD-IN-DOC-DS-008		0
						SHEET 1 of 1		



GAIL INDIA LIMITED

DATASHEET FOR GAS OVER OIL ACTUATOR VALVES (GOOV)

GAIL-STD-IN-DOC-DS-009

REV	Date	Purpose of Issue	Prepared By	Checked By	Approved By	Lyons Engineering Pvt. Ltd
0	14.01.2019	Issued for Bid	RKS	UNU	UNU	



DATASHEET FOR GOOV



Doc. No. GAIL-STD-IN-DOC-DS-009

Rev. 0

Page 1 of 4

Tag No. ITC-7006-GOV-6"-0101 / 0601

General	1	Location Class	Confirm later	ACTUATOR	51	Type	Gas Over Oil Actuator ,Quarter Turn Operation
	2	Press. / Temp. Rating	ANSI Class 600#		52	Min. Pressure For Actuator Sizing	15 barg Or Specified in PTS
	3	Pipe Class	6D1 (ASTM A333 Gr. 6)		53	Supply Pressure Min. / Nor / Max. bar(g)	As per Process Parameters given in Tender
	4	Design Standard	API 6D		54	Power Gas supply Connection	Vendor to Provide
	5	Location	After Pig Launcher (ITC-7006-PL-01001)		55	Tubing Material	SS316L
	6	Valve Type & Size	ON/OFF-Ball & 6"		56	Tubing Size	Vendor to Provide
	7	Area Classification	Zone-1, Gr. A / B, T3-4 or Better		57	Filter Regulator	Required
	8	P&ID No.			58	Filter regulator Material \ Filter Element	SS316 / 2-5 Micron
VALVE	9	Make	VTA	59	Valve Position Indicator	Required	
	10	Model	VTA	60	Manual Override	Required on The Actuator local Control Panel	
	11	Weight / Dimension	VTA	61	Failure Position	Stay Put	
	12	Body	Top entry	62	Painting	As per Painting Specification	
	13	Stem	Quarter Turn Design/Anti Blow Out	63	Control Panel Material	SS316	
	14	Ball	Solid Ball	64	Logic / Tubing Components	SS316L (SWAGELOK/PARKER)	
	16	Body Stud	Fully Threaded	65	Panel Enclosure Class	WP- IS 2147 to IP-66 - IEC 60529 & Flame Proof as per IS 2148	
	17	Body Nuts	Two Hexagonal Nuts	66	Gas Storage and Hydraulic Cylinder Capacity	Min Two Open & close operations in case of loss of line pressure	
	18	Body Seat Ring	Renewable	67	Stroke Time/Response Time	Vendor to Provide for Opening & Closing @ specified Pressure	
	19	Type of Bore	Full Bore	68	Safety Factor	Actuator torque shall be minimum 1.25 times the maximum valve break torque required at full rated differential pressure of valve	
	20	Type of Support	Trunion Mounted	69	Position Switches	Required for both open and close positions	
	MATERIAL	21	Body	ASTM A 350 Gr. LF2 / Equivalent	70	Solenoid Valves	Required Asper Attached Data sheet
22		Stem (No Casting - Single Piece)	ASTM A276 Type 410 (SS 410) / A 564 Type 630 (17-4 PH) / ASTM A 479 Gr. 316	71	Relief Valve	Required - Material: SS316	
23		Ball	ASTM A 182 Gr. F 316 / A 351 Gr. CF8M / A 350 Gr. LF2 + 75 Micron ENP) / ASTM A 479 SS 316	72	Pressure Gauge	Required - Material: SS316	
24		Stud Bolts	ASTM A 320 Gr. L7	73	Differential Pressuer Switches	Required As per Attached Data sheet integral with system	
25		Nuts	ASTM A 194 Gr. 4 / Gr. 7	74	Adjustable Stoppers for Actuator	Required for both opening and closing	
26		Body Seat Ring	ASTM A 182 Gr. F 316 / A 350 Gr. LF2 + 75 Micron ENP	75	Stem Extension	As per Approved P&ID's	
27		Spring	Inconel X-750	76	Certification	As mentoned below	
END CONNECTIONS	28	Line Size	6"	77	Gas Consumption \ Displacement	Vendor to Provide	
	29	Pipe Material	ASTM A 333 Gr. 6	78	Oil Displacement	Vendor to Provide	
	30	End connection	Butt Weld	79	Tank Capacity	Vendor to Provide	
	31	Schedule of Pup piece	ASTM A 333 Gr. 6, Sch. 80	80	Oil Content	Vendor to Provide	
	32	End to End Dimensions	As per API 6D	81	Hydraulic Fluid Cleanliness	As per NAS 1638 / ISO 4406 - Latest Editions	
ADDITIONS	FLUID PROPERTIES			POSITION SWITCH	82	Hand Pump	Required
	33	Fluid Type / Phase	Natural Gas / Gas		83	Area Classification	Zone-1, Gr.II A/B, T3-T4 or Better
	34	Corrosive / Erosive constituent	CO2 (0.24%)		84	Switch Type	Proximity Type(Namur Certified)
	35	Flow Rate: Min./Max.	1.5 MMSCMD		85	Form	DPDT / SPDT
	36	Pressure Drop @ Normal flow, bar (g)	2.93		86	Contact Rating	Vendor to Provide
	37	Operating Pressure: Min./Max.	19 bar (g) /		87	Cable Entry	1/2" NPTF (2 Nos.)
38	Operating Temperature: Min./Max.	20°C	88	Switch Quantity	Two		

PROCESS COI	39	Design Pressure	98 bar (g)	VALVES PC	89	Enclosure Material	SS 304 or Equivalent (Mfr Std Subject to Approval)	
	40	Design Temperature: Min./Max.	-20°C / 65°C		90	Enclosure Class	WP to IP-65	
	41	Density, Kg/M3: Min./Max.			91	Certification	Required	
	42	Molecular Weight	19 Kg/Kmol		92	Certifying Agency	CCOE/UL / FM / BASEEFA/ATEX or Equal	
	43	Viscosity, Cp: Min./Max.			JUNCTION BOX	93	Junction Box (JB)	As per PTS\GTS\Data Sheet of Junction Box
	44	Specific Heat Ratio, Cp/Cv: Min./Max.				CABLE GLAND	94	Cable Gland
45	Compressibility Factor: Min/Max.		Certification required : 1) Flame Proof / Ex. Proof Certificates, 2) Weather Proof Certificates, 3) Functional Test Reports, 4) Test Certificates for Actuator, 5) Calibration Report of Relief Valve with Serial No marked on Valve, 6) Calibration Report of Pressure Gauge with Serial No marked, 7) Blasting , Surface Preparation & Painting Report, 8) Operational , Maintenance & Installation Manual, 9) Catalogues for all the accessories.					
PERFORMANCE TABLE / TORQUE DETAILS	46	Break to Open (BTO)	Vendor to Provide					
	47	End to Open	Vendor to Provide					
	48	Running	Vendor to Provide					
	49	Break to Close	Vendor to Provide					
	50	End to Close	Vendor to Provide					
Documents Required: 1) Electrical Wiring Diagram 2) Interconnection Loop Diagram 3) Pnuematic Operating Diagram 4) Overall Dimension Drawing 5) Actuator GA Drawing 6) Technical Summary Table of OEM 7) Tank Sizing Calculation of OEM 8) Junction Box Details with GA Drawing								
Above mentioned details are bare minimum ther than as specified in Instrument Design Basis are also applicable								
The control logic shall enable the following: a) Local and remote selection in field. b) Maintenance / panel / SCADA selection in local panel. c) Logic function shall include open / close facilities. Logic may be implemented using relay logic in control panel. Panel / SCADA contacts shall be momentary, hold on contacts shall be used in logic. d) Remote function shall facilitate remote closure and opening of valve (without any manual intervention if all process interlocks are met). In case electrical signal to solenoid valves fail, e) Manual local hydraulic operation of valve , with hand pumps, in case of non availability of pneumatic (gas) operation. f) High differential pressure inhibit switch shall inhibit the remote operation of the valve, when differential becomes high (more than 3 bars). However it shall be possible to operate the valve locally. g) Close command (or open command) shall be inhibited during valve opening (or valve closing) and be made effective only after 100% opening (or closing) is achieved. h) Opposite movement inhibitor shall be provided.								



DATASHEET FOR SOLENOID VALVES (SOV)



Doc. No. GAIL-STD-IN-DOC-DS-009

Tag No. ITC-7006-GOV-6"-XXXX/ XXXX

Rev. 0

Page 3 of 4

General	1	Tag Numbers	XX-XSV-XXXX	
	2	Make \ Model	Vendor to provide	
	3	Quantity	Vendor to provide	
	4	Location	Mounted on Actuator Cabinet	
	5	Service	Natural Gas	
	6	Area Classification	Zone-0,1, Gr.II A/B,T3-T4 or Better,Exia	
	7	Enclosure Calss	WP to IP-66	
	8	Certification	Required (Note-1)	
VALVE	9	Configuration (See Figure)	Vendor to provide	
	10	Body Size/ Rating	Vendor to provide	
	11	Body Material	SS316L	
	12	Process Connection	Vendor to provide	
	13	Trim Material	SS316L	
	14	Operation :Direct/Pilot	Vendor to provide	
	15	Operating Mode NC/NO/UNIVERSAL	Vendor to provide	
ACTUATOR	16	Style of Coil	Vendor to provide	
	17	Coil Voltage	24 VDC	
	18	Coil Insulation Class	Vendor to provide	
	19	Electrical Connection	Required	
	20	Cable Entry	1/2" NPTF	
	21	Volts	Vendor to provide	
	22	On De-Energised Condition, Port	Vendor to provide	
	23	On Energised Condition,Ports	Vendor to provide	
END CONNECTION	24	Manual Reset	Not Required	
	25	Process Fluid	State	Natural Gas Gas
	26	Flow	Vendor to provide	
	27	Temperature	Vendor to provide	
	28	Upstream Pressure	Vendor to provide	
	29	Down stream Pressure	Vendor to provide	
	30	Density	Vendor to provide	
CONFIGURATION				

- Notes:**
- 1) The Solenoid valves shall be intrinsically safe to specified area classification. The Certificate from a statutory body like UL /FE / BASEEFA\ATEX or equal shall be submitted along with the bid.
 - 2) Flying Leads are not acceptable and shall be terminated in a termination box.
 - 3) Solenoid valves shall be Operated by open/close command from SCADA system or Local Panel.
 - 4) This is a Part of main line Valve/Emergency Isolation Valve Actuators and shall be supplied by main line valve Actuator Vendor.



DATASHEET FOR DIFFERENTIAL PRESSURE SWITCH (DPSH)



Doc. No. GAIL-STD-IN-DOC-DS-009

Tag No. ITC-7006-GOV-6"-XXXX/ XXXX

Rev. 0

Page 4 of 4

General	1	Tag No.	XX-PDSH-XXXX
	2	Quantity	As per latest P&ID's
	3	Service	Natural gas
	4	Type	Electric ,Differential Pressure
	5	Mounting	Surface mounted
	6	Area Classification	Zone 0, 1, GR.II A/B,T3-T4 or Better, Exia
	7	Enclosure Class	WP to IP-66
	8	Housing Material	LM-6 Cast Aluminum
SWITCH	9	Electrical output	Contact
	10	Form	DPDT
	11	Type	Micro Switch, Hermetically Sealed
	12	Current	Vendor to provide
	13	Load Type	Inductive
	14	Conduit conn.	1/2"NPTF
	15	No. of Entries	Two
	16	Terminal Block	Required
	17	Set Point adjustment	Internal
	18	Differential Range	Fixed
	19	Accuracy	±1% of Span
	20	Repeatability	±1% of Span
MEASURING UNIT	21	Hysteresis / Dead Band Details	Vendor to provide
	22	Pressure Element	Diaphragm
	23	Element Material	SS316L
	24	Process Connection	1/2" NPTF, Bottom
	25	Over Range Protection	150% of FSD
	26	Manifold Type	5 Valve Manifold
	27	Manifold Material	SS316
	28	Manifold Connection	1/2" NPTF
OTHERS	29	Make	Vendor to provide
	30	Model no.	Vendor to provide
	31		

Notes:


- 1) The Switch Enclosure Shall be Weather Proof To NEMA 4X and it shall be intrinsic Safe for Zone-0,1 group II A/B and temperature class T3- T4.
- 2) Vendor shall select the suitable model for each Tag no. such that the switch differential shall be with in the following limits. The sum of the differential & repeatability (in Engg.Units) Shall be less than the difference between the set point and the normal operating pressure .In other words, it shall be ensured that at no point of time the switch shall remain in Alarm status while the process is within the normal operating range.
- 3) 5 -way valve Manifold in 316SS shall be provided for all Tags.
- 4) Differential Pressure Switches Shall withstand maximum Static/Design Pressure Without affecting calibration, 150% Full Scale Deflection or design pr. Whichever is higher.
- 5) Differential pressure Switch shall be mounted on Valve Actuator and electrical/pneumatic connections shall be shown in respective drawings.
- 6) Calibration Report.



GAIL INDIA LIMITED

QAP FOR TEMPERATURE TRANSMITTERS

GAIL-STD-IN-DOC-QAP-001

						
0	15.01.2019	Issued for Bid	RKS	UNU	UNU	
REV	Date	Purpose of Issue	Prepared By	Checked By	Approved By	Lyons Engineering Pvt. Ltd



VENDOR LOGO



STANDARD QUALITY ASSURANCE PLAN FOR TEMPERATURE TRANSMITTER

CUSTOMER:- _____ END USER:- _____ QAP NO.:- _____ REV.:- _____
 SO NO:- _____ DATE:- _____
 PO NO:- _____
 PROJECT:- _____
 REF DOCUMENT:- _____

Sr No.	Component Operation	Characteristics	Class	Type of Check	Quantum of Check	Reference document	Acceptance norm	Format of Record	Agency			Remarks
									Vendor	TPI	Client	
1	Internal test/Inspection	Physical Verification of -General Finishing -Model no. & Serial no. -Tag no. -Certification -Accessories -Range -Accuracy -Calibration -Communication with HART	Major	Visual	100%	Approved Datasheet / Job Specification	Approved Datasheet / Job Specification	Test and Calibration Report	P	R	R	
			Critical	Electrical	100%				P	R	R	
2	Final Test/ Inspection	Physical Verification of -Model No.,Serial no -Tag No -Electrical / Conduit Entry -connection check -Accessories Check - Dimensional Check -Visual Inspection -Calibration Test -Indicator Operation Check(If Meter Display) -Configuration of Range -Communication with HART configurator -Accuracy -Repeatability -Power supply variation test -Reverse Polarity Test -Load Variation Test	Major	Visual	100%	Approved Datasheet / Job Specification	Approved Datasheet / Job Specification	COC	P	W	W / R	
			Critical	Electrical	100%				T&C	P	W	
			Critical	Electrical	100%			P		W	W / R	
3	Review Documents	-Review of internal test report & MTC -Hazardous Area Classification Report - Test & Calibration Report - Certification for Compliance - CCOE certificate -Degree of protection certificate	Major	Visual	100%	Approved Datasheet / Job Specification	Approved Datasheet / Job Specification	T&C and COC	H	R	R	
4		TPI Inspection Report & Inspection Release Note							H	P	R	

P - Performance, R - Review, W - Witness, COC - Certificate of Conformance, T&C - Test & Calibration Report, H - Hold

Notes:


- 1). Material and Type shall be as per tender specification / datasheet.
- 2). Acceptance Norms/ Acceptance Criteria for all the activities shall be as per specification/ data sheets/ applicable codes & standards etc.
- 3). GAIL and/or his representative reserve right for inspection at any stage of manufacturing of materials as per approved QAP.
- 4). All Testing & Measuring Instruments shall have valid Calibration with Calibration Certificates & Traceabilities.



GAIL INDIA LIMITED

QAP FOR RTDs AND THERMOWELLS

GAIL-STD-IN-DOC-QAP-002

							
0	15.01.2019	Issued for Bid	RKS	UNU	UNU		
REV	Date	Purpose of Issue	Prepared By	Checked By	Approved By		Lyons Engineering Pvt. Ltd



VENDOR LOGO



STANDARD QUALITY ASSURANCE PLAN FOR RTD AND THERMOWELLS

CUSTOMER:- _____ END USER:- _____ QAP NO.:- _____ REV.:- _____
 SO NO:- _____ DATE:- _____
 PO NO.:- _____
 PROJECT:- _____
 REF DOCUMENT:- _____

Sr. No.	Component Operation	Characteristics	Class	Type of Check	Quantum of Check	Reference Document	Acceptance Norm	Format of Record	Agency			Remarks
									Vendor	TPI	Client	

RTD ASSEMBLIES												
1	RTD Assemblies	a) Accuracy Test	Major	Testing	100%	IEC751/DIN43760	IEC751/DIN43760	Test & Calibration Certificate	P	W	W/R	
		b) IR at AMB & at 500VDC	Major	Testing		As per STD	As per STD	Test Report				
		c) Hot IR at 320 Deg c & 500 VDC	Major	Testing		As per STD	As per STD	Test Report				
		d) N2 Test	Major	Testing		As per STD	As per STD	Test Report				
		e) Response Time test	Major	Testing		As per STD	As per STD	Test Reports				
		f) Dimensions/Connection	Major	Measurement		Approved Specification/Drawings	Approved Specification/Drawings	Test Report				
		g) Weather proof test / Ex-proof Test	Major & Critical	Testing		IS 2147 / IS2148	IS 2147 / IS2148	Statutory Test Certificate				

THERMOWELL												
1	Raw material of Thermowell	Chemical Composition	Major	Analysis	One Sample	Approved Datasheet / Technical Specification	Approved Datasheet / Technical Specification	Material Test Certificate	P	R	R	
2	Thermowell	a) Dimensions	Major	Measurement	100%	Approved Datasheet / Drawings Applicable STD	Approved Datasheet / Drawings Applicable STD	Test Reports & Certificates	P	W	W/R	
		b) Hydro test	Major	Testing								
		c) Bore Concentricity test	Critical	Testing								
		d) Visual	Major	Observation								
		e) Workmanship/Finish	Major	Observation								
		f) Spec/Tagging	Major	Visual								
		g) Threading	Critical	Testing								
		h) Surface Finish	Major	Visual								
3		TPI Inspection Reports & Inspection Release Note							H	P	R	

P - Performance, R - Review, W - Witness, COC - Certificate of Conformance, T&C - Test & Calibration Report, H - Hold

Notes:


- 1). Material and Type shall be as per tender specification / datasheet.
- 2). Acceptance Norms/ Acceptance Criteria for all the activities shall be as per specification/ data sheets/ applicable codes & standards etc.
- 3). GAIL and/or his representative reserve right for inspection at any stage of manufacturing of materials as per approved QAP.





GAIL INDIA LIMITED

QAP FOR PRESSURE TRANSMITTERS

GAIL-STD-IN-DOC-QAP-003

						
0	15.01.2019	Issued for Bid	RKS	UNU	UNU	
REV	Date	Purpose of Issue	Prepared By	Checked By	Approved By	Lyons Engineering Pvt. Ltd


		VENDOR LOGO											
STANDARD QUALITY ASSURANCE PLAN FOR PRESSURE TRANSMITTER													
CUSTOMER:-		END USER:-			QAP NO.:-			REV.:-					
SO NO.:-		DATE:-											
PO NO.:-													
PROJECT:-													
REF DOCUMENT:-													
Sr No.	Component Operation	Characteristics	Class	Type of Check	Quantum of Check	Reference document	Acceptance norm	Format of Record	Agency			Remarks	
									Vendor	TPI	Client		
1	Internal test/Inspection	Physical Verification -General Finish -Model no. & Serial no. -Tag no. Certification -Accessories -Calibration -Range -Accuracy -Leak Check Process -Connection -Communication with HART	Major	Visual	100%					P	R	R	
			Critical	Electrical	100%		Approved Datasheet / Job Specification	Approved Datasheet / Job Specification	Test and Calibration Report				
2	Final Test/ Inspection	Physical Verification of -Model no., Serial no., Tag no., -Process connection check -Electrical/Conduit Entry Connection check -Accessories check	Major	Visual	100%	Approved Datasheet / Job Specification	Approved Datasheet / Job Specification	COC	P	W	W / R		
		Calibration	Critical	Electrical	100%	Approved Datasheet / Job Specification	Approved Datasheet / Job Specification	T&C	P	W	W / R		
		-Accuracy -Repeatability -Indicator Operation Check(if Meter display) -Communication with Field Communicator -Power supply variation test -Reverse Polarity Test -Load Variation Test	Critical	Electrical	100%	Approved Datasheet / Job Specification	Approved Datasheet / Job Specification	COC	P	W	W / R		
3	Review of Documents	-Review of internal test report & MTC -Hazardous Area Classification Report - Test & Calibration Report - Certification for Compliance - COE certificate -Degree of protection certificate	Major	Visual	100%	Approved Datasheet / Job Specification	Approved Datasheet / Job Specification	Test Certificate & COC	P	R	R		
4		TPI Inspection Report & Inspection Release Note							H	P	R		
P - Performance, R - Review, W - Witness, COC - Certificate of Conformance, T&C - Test & Calibration Report, H - Hold													
Notes: <ol style="list-style-type: none"> 1). Material and Type shall be as per tender specification / datasheet. 2). Acceptance Norms/ Acceptance Criteria for all the activities shall be as per specification/ data sheets/ applicable codes & standards etc. 3).GAIL and/or his representative reserve right for inspection at any stage of manufacturing of materials as per approved QAP. 													





GAIL INDIA LIMITED

QAP FOR PRESSURE GAUGES

GAIL-STD-IN-DOC-QAP-004


							
0	15.01.2019	Issued for Bid	RKS	UNU	UNU		
Rev.	Date	Purpose of Issue	Prepared By	Checked By	Approved By	Lyons Engineering Pvt. Ltd	

						VENDOR LOGO						
STANDARD QUALITY ASSURANCE PLAN FOR PRESSURE GAUGE												
CUSTOMER:-		QAP NO.:-			REV.:-							
SO NO.:-		DATE:-										
PO NO.:-												
PROJECT:-												
REF DOCUMENT:-												
Sr. No.	Component Operation	Characteristics	Category	Type of Check	Quantum of Check	Reference Document	Acceptance Norm	Format of Plan	Agency			Remarks
									Vendor	TPI	Client	
1	Raw Material	a) Dimensions	MA	Mechanical	100%	PO approved Spec/Drg. Approved Spec/PO	PO approved Spec/Drg. Approved Spec/PO	Test Certificate	P	R	R	
		b) Chemical Analysis	MA	Chemical	Sample				P	R	R	
		c) Dial Marking, Unique, Srl. No.	MA	Visual	100%				P	R	R	
2	Internal Test/Inspection	Accuracy	CR	Measurement	100%	EN 837-1	EN 837-1	Calibration Report	P	R	R	
		Hystresis										
3	Final Test/Inspection	Repeatability										
		Over range protection	CR	Visual	100%	EN 837-1	EN 837-1	Test Report	P	R	R	
3	Final Test/Inspection	Accuracy	CR	Measurement	100%	EN 837-1	EN 837-1	Calibration Report	P	W	W/R	
		Hystresis										
4	Accessories	1) Chemical Analysis	MA	Chemical	Sample	Approved Datasheet/ Drawing/Job Specification	Approved Datasheet/ Drawing/Job Specification	Material Test Certificate	P	R	R	
		2) Dimensions	MA	Measurement	100%	Approved Datasheet/ Drawing/Job Specification	Approved Datasheet/ Drawing/Job Specification	Test Reports/ Certificates	P	W	W / R	
3	2-Way Valve Manifold	3) Leak Tightness	CR	Hydrotest	100%	Approved Datasheet/ Drawing/Job Specification	Approved Datasheet/ Drawing/Job Specification	Test Reports/ Certificates	P	W	W/ R	
		Over range protection	CR	Visual	100%	EN 837-1	EN 837-1	Test Report	P	W	W/R	
3	IRN	TPI Inspection Reports & Inspection Release Note							P	R		
Legends: P - Performance, R - Review, W - Witness, COC - Certificate of Conformance, T&C - Test & Calibration Report, H - Hold Category: CR - Characteristics affecting safety of equipment and personnel Notes: 1). Material and Type shall be as per tender specification / datasheet. 2). All Testing & Measuring Instruments shall have valid Calibration with Calibration Certificates & Traceabilities. 3). Acceptance Norms/ Acceptance Criteria for all the activities shall be as per specification/ data sheets/ applicable codes & standards etc. 4). GAIL and/or his representative reserve right for inspection at any stage of manufacturing of materials as per approved QAP.												



GAIL INDIA LIMITED

**QAP FOR TEMPERATURE GAUGES
GAIL-STD-IN-DOC-QAP-005**

						
0	15.01.2019	Issued for Bid	RKS	UNU	UNU	
Rev.	Date	Purpose of Issue	Prepared By	Checked By	Approved By	



VENDOR LOGO



QUALITY ASSURANCE PLAN FOR TEMPERATURE GAUGE WITH THERMOWELL

Sr No.	Components & Operation	Characteristics	Class	Type of Check	Quantum of Check	Reference document	Acceptance norm	Agency		
								Vendor	TPI	Client
1	Raw Materials									
1.1	Ring	Chemical composition	Major	Chemical Analysis	100%	As per Specification/data sheet	Approved Documents	P	R	R
1.2	Case	Chemical composition	Major	Chemical Analysis	100%	As per Specification/data sheet	Approved Documents	P	R	R
1.3	Movement	Chemical composition	Major	Chemical Analysis	100%	As per Specification/data sheet	Approved Documents	P	R	R
1.4	S.S. Socket	Chemical composition	Major	Chemical Analysis	100%	As per Specification/data sheet	Approved Documents	P	R	R
1.5	Dial	Chemical composition	Major	Visual	100%	As per Specification/data sheet	Approved Documents	P	R	R
1.6	Rubber Parts	Oil Test	Major	Oil Test	Sample	As per Relevant Std	Approved Documents	P	R	R
2	Routine & Acceptance Testa									
2.1	Thermometers	Dimensions, Connections & Mounting		Measurement, Visual	100%	EN 13190 Std	Approved Documents	P	R	R
2.2	Calibration Test (5 points)	Accuracy and Repeatability		Calibration Check	100%	Approved test procedure	Approved Documents	P	R	R
2.3	Response Time Test	Response			10%		Approved Documents	P	R	R
3	In Process Inspection									
3.1	Dimensional check	Physical Measurement	Major	Measurement	100%	As per Relevant Std	Approved Drawings	P	R	R
3.2	Leakage test	Leak Test	Critical	Hydro test	100%	As per Relevant Std	As per Relevant Std	P	R	R
4	Final Test Inspection									
4.1	Finish Product check for completeness	Performance check & Calibration	Major	Measurement	100%	As per Relevant Std	Approved Documents / Relevant Std	P	W	W/R
		a) Accuracy +/- 1% of FSD						P	W	W/R
		b) Repeatability						P	W	W/R
		c) Leakage						P	W	W/R
4.2	Finished Gauge Protection	Over Range Protection	Major	130% of FSD	100%			P	W	W/R
4.3	Casing	Dimension, Enclosure Type	Major	Measurement	100%			P	W	W/R
4.4	Finished Gauge	Identification, Name plate detail, appearance & Cleanliness	Minor	Visual	100%			P	W	W/R
5	Review of Documents	Weather Proof Test	Major	Environmental	Type test report	IS 2147 / IEC 60529	As per Relevant Std	P	R	R
THERMOWELL										
1	Raw material of Thermowell	Chemical Composition	Major	Analysis	One Sample	Approved Datasheet / Technical Specification	Approved Datasheet / Technical Specification	P	R	R

2	Thermowell	a) Dimensions	Major	Measurement	100%	Approved Datasheet / Drawings Applicable STD	Approved Datasheet / Drawings Applicable STD	P	W	W/R
		b) Hydro test	Major	Testing						
		c) Bore Concentricity test	Critical	Testing						
		d) Visual	Major	Observation						
		e) Workmanship/Finish	Major	Observation						
		f) Spec/Tagging	Major	Visual						
		g) Threading	Critical	Testing						
		h) Surface Finish	Major	Visual						
3		TPI Inspection Reports & Inspection Release Note					H	P	R	

LEGEND: R: Review, W: Witness, P: Perform, H: Hold

Notes:


- 1). Material and Type shall be as per tender specification / datasheet.
- 2). All Testing & Measuring Instruments shall have valid Calibration with Calibration Certificates & Traceabilities.
- 3). Acceptance Norms/ Acceptance Criteria for all the activities shall be as per specification/ data sheets/ applicable codes & standards etc.
- 4). GAIL and/or his representative reserve right for inspection at any stage of manufacturing of materials as per approved QAP.



GAIL INDIA LIMITED

QAP FOR INSTRUMENT CABLES

GAIL-STD-IN-DOC-QAP-006

							
0	15.01.2019	Issued for Bid	RKS	UNU	UNU		
Rev.	Date	Purpose of Issue	Prepared By	Checked By	Approved By		Lyons Engineering Pvt. Ltd



VENDOR LOGO



QAP for Instrument Cables

CUSTOMER:- _____ **QAP NO.:-** _____ **REV.:-** _____
SO NO:- _____ **DATE:-** _____
PO NO.:- _____
PROJECT:- _____
REF DOCUMENT:- _____

1.2	Insulation & Sheathing compound	1. Tensile & Elongation before & after ageing	A	Visual	One sample per batch	IS 5831/ BS 5308(P-2) Relevant Standard as per Specification	IS 5831/ BS 5308(P-2) Relevant Standard as per Specification	P	R	R
		2. Type of compound	C	Visual				P	R	R
		3. Thermal Stability	C	Physical				P	R	R
	FR Test for FR PVC only	1. Oxygen Index	C	Enviro	ASTM-D2863	Min. 30%	P	R	R	
		2. Temperature Index	C	Enviro			Min 250deg C	P	R	R
1.3	Armour	1. Surface Condition	A	Visual	One sample per batch	IS 3975/ BS 5308(P-2) Relevant Standard as per Specification	IS 3975/ BS 5308(P-2) Relevant Standard as per Specification	P	R	R
		2. Uniformity of Zinc Coating	C	Chemical				P	R	R
		3. Mass of zinc coating	B	Chemical				P	R	R
		4. Tensile strength & elongation	B	Physical				P	R	R
		5. Wrapping	B	Physical				P	R	R
		6. Torsion/ Winding	B	Physical				P	R	R
2	Process Inspection									
2.0	Insulated core	1. Type of Material	B	Visual	Each setting &	BS 5308(P-2) & Relevant	BS 5308(P-2) &	P	R	R
		2. Thickness of Insulation (Avg. Min.)	C	Physical				P	R	R

		3. Core Identification	C	Visual	during run of M/c	Standard as per Specification	Relevant Standard as per Specification	P	R	R
		4. Surface Finish	B	Visual				P	R	R
		5. Volume Resistivity	C	Electrical				P	R	R
2.1	Pair/Triad	1. Sequence of laying	C	Visual	Setting & During Process	BS 5308(P-2) & Relevant Standard as per Specification	BS 5308(P-2) & Relevant Standard as per Specification	P	R	R
		2. Continuity of conductor	C	Electrical				P	R	R
		3. Lay Length	B	Physical				P	R	R
2.2	Pair/Triad screening	1. Tape thickness	B	Physical	Setting & During Process	BS 5308(P-2) & Relevant Standard as per Specification	BS 5308(P-2) & Relevant Standard as per Specification	P	R	R
		2. Tape overlap	B	Visual				P	R	R
		3. Drain wire size	B	Physical				P	R	R
2.3	Pair/Triad Laying	1. Sequence of laying	B	Visual	Setting & During Process	BS 5308(P-2) & Relevant Standard as per Specification	BS 5308(P-2) & Relevant Standard as per Specification	P	R	R
		2. Lay Length	B	Physical				P	R	R
		3. Dimension	B	Physical				P	R	R
		4. Continuity of conductor	C	Electrical	100% Drum			P	R	R
		5. HV	C	Electrical				P	R	R
		6. Continuity of common pair	C	Electrical				P	R	R
2.4	Overall screening	1. Tape thickness	B	Physical	Setting & During Process	BS 5308(P-2) & Relevant Standard as per Specification	BS 5308(P-2) & Relevant Standard as per Specification	P	R	R
		2. Tape overlap	B	Visual				P	R	R
		3. Drain wire size	B	Physical				P	R	R
2.5	Inner sheath	1. Type of PVC	B	Visual	Each setting & at the running of M/c	BS 5308(P-2) & Relevant Standard as per Specification	BS 5308(P-2) & Relevant Standard as per Specification	P	R	R
		2. Dimension	B	Physical				P	R	R
		3. Thickness of Inner Sheath	C	Physical				P	R	R
		4. Surface finish & Colour	B	Visual			BS 5308(P-2)/Should be smooth & free from porosity & Relevant Standard as per Specification	P	R	R

2.6	Armouring	1. No. of strips/wires	B	Visual	Starting of M/c & during process	BS 5308(P-2) & Relevant Standard as per Specification	BS 5308(P-2) & Relevant Standard as per Specification	P	R	R
		2. Dimension of strips/wires	B	Physical				P	R	R
		3. Direction of lay	B	Visual				P	R	R
2.5	Conductor	1. Make up	B	Visual	100% spools at start & end	IS 8130/ BS 5308(P-2) & Relevant Standard as per Specification	IS 8130/ BS 5308(P-2) Relevant Standard as per Specification	P	R	R
		2. Size/Dimensions	B	Physical				P	R	R
		3. DC Resistance at 20deg C	C	Electrical				P	R	R
2.6	Outer Sheath	1. Type of PVC Compound	C	Physical	Setting & During running of M/c	BS 5308(P-2) & Relevant Standard as per Specification	BS 5308(P-2) & Relevant Standard as per Specification	P	R	R
		2. Thickness Average/Minimum	C	Physical				P	R	R
		3. Dia over Outer sheath	B	Physical				P	R	R
		4. Colour	B	Visual				P	R	R
		5. Surface finish	B	Visual				P	R	R
		6. Embossing/ Printing/Sequential Marking	B	Visual				P	R	R
3	Routine Test							P		
		1. Conductor Resistance	B	Electrical	100% Drums	IS 8130/ BS 5308(P-2) & Relevant Standard as per Specification	IS 8130/ BS 5308(P-2) & Relevant Standard as per Specification	P	R	R
		2. Mutual Capacitance	B	Electrical	10% Drums	BS 5308(P-2) & Relevant Standard as per Specification	BS 5308(P-2) & Relevant Standard as per Specification	P	R	R
		3. Capacitance between core & screen	B	Electrical	10% Drums			P	R	R
		4. L/R Ratio	B	Electrical	10% Drums			P	R	R
		5. HV Test a) Core to core b) Core to shield/Armour	C	Electrical	100% Drums			P	R	R
		6. Spark Test a. Core b. Sheath				BS 5308(P-2) / BS 5099 & Relevant Standard as per Specification	Relevant Standard as per Specification	P	R	R
		7. Test for rodent & termite repulsion						P	R	R
4	Final Test									

		1. HV Test a) Core to core b) Core to shield/Armour	C	Electrical	10% Sample	BS 5308(P-2) & Relevant Standard as per Specification	BS 5308(P-2) & Relevant Standard as per Specification	P	W	W/R
		2. Conductor Resistance	B	Electrical	10% Sample	IS 8130/ BS 5308(P-2) & Relevant Standard as per Specification	IS 8130/ BS 5308(P-2) & Relevant Standard as per Specification	P	W	W/R
		3. Continuity test	B	Electrical	10% Sample	BS 5308(P-2) & Relevant Standard as per Specification	BS 5308(P-2) & Relevant Standard as per Specification	P	W	W/R
		4. Insulation Resistance (Before & After HV) a. Individual Conductor b. Individual Screens	C	Electrical	One sample per lot			P	W	W/R
		5. Tensile Strength & Elongation for Insulation & sheath before ageing	B	Physical	10% Sample			P	W	W/R
		6. Dimension	B	Visual	10% Sample			P	W	W/R
		7. Electrostatic noise reduction ratio	B	Electrical	One sample per lot			P	W	W/R
		8. Cable capacitance & L/R ratio test	B	Electrical	10% Sample			P	W	W/R
		9. Spark Test a. Core b. Sheath				BS 5308(P-2) / BS 5099 & Relevant Standard as per Specification	Relevant Standard as per Specification	P	W	W/R
	Flammability Test for FRLS PVC only	1. Oxygen Index	C	Enviro	One sample per lot	ASTM-D2863	Min. 30%	P	W	W/R
		2. Temperature Index	C	Enviro			Min 250deg C	P	W	W/R
		3. Flammability test	C	Fire		IEC 332-1	Shall Pass	P	W	W/R
		4. Smoke Density	As Applicable	As Applicable		ASTM 2843		P	W	W/R
		5. Acid Gas Generation	As Applicable	As Applicable		IEC-754-1		P	W	W/R
		6. Swedish Chimmney Test	As Applicable	As Applicable		As per Relevant Staandard		P	W	W/R

5	Type Test									
5.0	Tests For Conductor	1. Conductor Resistance	B	Electrical	One sample per lot	IS 8130/ BS 5308(P-2) & Relevant Standard as per Specification	IS 8130/ BS 5308(P-2) & Relevant Standard as per Specification	P	R	R
		2. Annealing Test on Cu		Physical		BS 6360 & Relevant Standard as per Specification	BS 6360 & Relevant Standard as per Specification	P	R	R
5.1	Test on Armour wire/strip	1. Tensile strength	B	Physical	One sample per lot	BS 5308(P-2) & Relevant Standard as per Specification	BS 5308(P-2) & Relevant Standard as per Specification	P	R	R
		2. % Elongation	B	Physical				P	R	R
		3. Torsion/Winding	B	Physical				P	R	R
		4. Wt. of zinc coating	B	Chemical				P	R	R
		5. Dimensions	B	Physical				P	R	R
		6. Uniformity of coating	C	Chemical				P	R	R
5.2	Thickness of Insulation & Sheath	Thickness of Insulation & Sheath	B	Physical	One sample per lot	BS 5308(P-2) & Relevant Standard as per Specification	BS 5308(P-2) & Relevant Standard as per Specification	P	R	R
5.3	Physical tests on Insulation & Outer Sheath	1. Elongation & T. S. Before & After Ageing	B	Physical	One sample per lot	BS 5308(P-2) & Relevant Standard as per Specification	BS 5308(P-2) & Relevant Standard as per Specification	P	R	R
		2. Ageing in Air oven	B	Physical				P	R	R
		3. Shrinkage test	B	Physical				P	R	R
		4. Hot Deformation	B	Physical				P	R	R
		5. Heat Shock	B	Physical				P	R	R
		6. Thermal stability	B	Physical				P	R	R
		7. Flammability Test	B	Physical				P	R	R
		8. Loss of Mass	B	Physical				P	R	R
5.4	Insulation Resistance test at room & rated temperature	Volume resistivity	C	Electrical	One sample per lot	BS 5308(P-2) & Relevant Standard as per Specification	BS 5308(P-2) & Relevant Standard as per Specification	P	R	R
5.5	H.V. test at room temperature	H.V. test at room temperature	B	Electrical	One sample per lot	BS 5308(P-2) & Relevant Standard as per Specification	BS 5308(P-2) & Relevant Standard as per Specification	P	R	R

5.7	Flammability test	FRLS Tests (FR PVC Only)	C	Enviro	One sample per lot	Relevant Standard as per Specification	Relevant Standard as per Specification	P	R	R
		1. Oxygen Index				ASTM 2863	Min. 30%	P	R	R
		2. Temperature Index				ASTM 2863	Min 250deg C	P	R	R
		4. Smoke Density				ASTM 2843	ASTM 2843	P	R	R
		5. Acid Gas Generation				IEC-754-1	IEC-754-1	P	R	R
		6. Swedish Chimmney Test				As per Relevant Staandard	As per Relevant Staandard	P	R	R

LEGENDS: R: Review of Docs., A: Minor, B: Major, C: Critical, W: Witness


Notes:

- 1). All Testing and Measuring Equipments / Instruments shall have valid Calibration with Calibration Certificate & their Traceabilities.
- 2). Acceptance Norms/ Acceptance Criteria for all the activities shall be as per specification/ data sheets/ applicable codes & standards etc.
- 3). GAIL and/or his representative reserve right for inspection at any stage of manufacturing of materails as per approved QAP.
- 4). All Testing & Measuring Instruments shall have valid Calibration with Calibration Certificates & Traceabilities.



GAIL INDIA LIMITED

**QAP FOR PRESSURE SAFETY VALVES
GAIL-STD-IN-DOC-QAP-007**

							
0	15.01.2019	Issued for Bid	RKS	UNU	UNU		
REV	Date	Purpose of Issue	Prepared By	Checked By	Approved By	Lyons Engineering Pvt. Ltd	



VEDOR LOGO



QUALITY ASSURANCE PLAN FOR PRESSURE SAFETY VALVE


Sr No.	Components & Operation	Characteristics	Class	Type of Check	Quantum of Check	Reference document	Acceptance norm	Agency		
								Vendor	TPI	Client
1 Raw Materials										
1.1	Incoming materials like Forgings and castings for body, Bonnet & Nozzle, Springs, Bellows etc.	i. Material Properties (Mechanical & Chemical) ii. Size iii. Rating iv. Make v. Type	Major	Visual	100%	As per clause 3.1 of EN 10204 for each valve body & Bonnet/forging, nozzle and clause 2.2 for stem, disc etc.	Manufacturers certificate of conformity	P	R	R
1.2	Machining of components & their assembly.	Dimensions, Finish	Major	Visual/Physical	100%	Data sheet/Standard specification/Relevant code	Data sheet/Standard specification/Relevant code	P	R	R
1.3	Internal test/Inspection	i. Radiography of valve castings	Major	Visual/Physical	100%	ANSI B16.34	ANSI B16.34 annex.B	P	R	R
		ii. Bend test & Magnetic Particle Inspection of Body & Bonnet casting	Major	Visual/Physical	100%			P	R	R
		iii. Charpy V -notch impact testing (If specified)	Major	Visual/Physical	100%			P	R	R
		iv. Visual check, Verification of tag plate/Marking, Accessories.	Major	visual	100%			P	R	R
		v. Helium Leak test	Major	Physical	100%	Data sheet/Standard specification/Relevant code	Data sheet/Standard specification/Relevant code	P	R	R
		vi. Dye Penetrant test of Welds.	Major	Physical	100%			P	R	R
		vii. Hydrostatic test.	Major	Physical	100%			P	R	R
		viii. Cold bench set pressure	Major	Physical	100%			P	R	R
		ix. Seat Leakage test	Major	Physical	100%			P	R	R
		x. Valve lift test.	Major	Visual/Physical	100%	API RP 527	API RP 527	P	R	R
		xi. Blow down/ Reclosing pressure test	Major	Physical	100%			P	R	R
		xii. Capacity test	Major	Physical	100%			P	R	R
				xiii. Post weld Heat treatment of weld joints	Major	Physical	100%	Data sheet/Standard specification/Relevant code	Data sheet/Standard specification/Relevant code	P
3	Final Inspection Test	i. Dimensional, Finish, Visual check, Verification of tag plate/Marking, Accessories.	Major	Visual/Physical	100%	Data sheet/Standard specification/Relevant code	Data sheet/Standard specification/Relevant code	P	W	W/R
		ii. Helium Leak test	Critical					Physical	P	W
		iii. Dye Penetrant test of Welds.	Major	Physical				P	W	W/R
		iv. Hydrostatic test.	Major	Physical				P	W	W/R
		v. Cold bench set pressure	Major	Physical				P	W	W/R
		vi. Seat Leakage test	Major	Physical		P	W	W/R		
		vii. Valve lift test.	Major	Visual/Physical		P	W	W/R		
					API RP 527	API RP 527	P	W	W/R	
4	Review of Documents	i. Review of IBR certificate & Type test report for valves under IBR regulation (If Applicable)	Critical	Visual	100%	Data sheet/Standard specification/Relevant code	Data sheet/Standard specification/Relevant code	P	R	R
		ii. PWHT report/ Radiography reports/MPI reports	Critical	Visual	100%	Data sheet/Standard specification/Relevant code	Data sheet/Standard specification/Relevant code	P	R	R

	iii. Capacity test as per ASME (Type test report)	Critical	Visual	100%	Data sheet/Standard specification/Relevant code	Data sheet/Standard specification/Relevant code	P	R	R
	iv. Material test certificate	Major	Visual	100%	As per clause 3.1 of EN 10204 for each valve body & Bonnet/forging, nozzle and clause 2.2 for stem, disc etc.	Data sheet/Standard specification/Relevant code	P	R	R
<p>LEGENDS: R: Review of Docs W: Witness P: Perform</p> <p>Notes:</p> <p>1). Acceptance Norms/ Acceptance Criteria for all the activities shall be as per specification/ data sheets/ applicable codes & standards etc.</p> <p>2). GAIL and/or his representative reserve right for inspection at any stage of manufacturing of materials as per approved QAP.</p> <p>3). All Testing & Measuring Instruments shall have valid Calibration with Calibration Certificates & Traceabilities.</p>									



GAIL INDIA LIMITED

**QAP FOR PIG SIGNALLER
GAIL-STD-IN-DOC-QAP-008**

						
0	15.01.2019	Issued for Bid	RKS	UNU	UNU	
REV	Date	Purpose of Issue	Prepared By	Checked By	Approved By	



VENDOR LOGO



QUALITY ASSURANCE PLAN FOR PIG SIGNALLER

CUSTOMER:- END USER:- QAP NO.:- REV.:-

SO NO:- DATE:-

PO NO:-

PROJECT:-

REF DOCUMENT:-

Sr. No.	Stage / Activity	Characteristics	Quantum of Check	Reference documents	Acceptance norm	Format of Record	Agency			Remarks
							Vendor	TPI	Client	
A	Procedures									
a	Hydrostatic test, NDT, PWHT, Functional test and Visibility test	Documented Procedures	100%	Approved Datasheet / Job Specification	Approved Datasheet / Job Specification	Procedure Documents	P	R	R	
b	Welding Procedure Specification (WPQ), Procedure Qualification Record (PQR), Welders Performance Qualification (WPQ)	Qualification requirements as per ASME Sec.IX and Purchase specification	100%	Approved Datasheet / Job Specification	Approved Datasheet / Job Specification	WPS,POR & WPQ Records	P	W / R (Refer Note-3)	R	
B	Material Inspection									
a	Forgings for Trigger,Weldolet, Mounting Nozzle,etc at suppliers works	i) Chemical Properties ii)Tensile/Impact/Hardness/HIC (Hydrogen Induced Cracking) & other applicable tests iii) NDT (Non Destructive Testing) - As Applicable	Approved Datasheet / Job Specification	Approved Datasheet / Job Specification	Approved Datasheet / Job Specification	Material Test Certificates / Lab Test Reports	P	Mech- W, Rest-R	R	
b	Forgings ,Gaskets, Fasteners, Visual Indicator, Limit switch, and other material after receipt at suppliers works	i) Chemical Properties ii)Tensile/Impact/Hardness/HIC (Hydrogen Induced Cracking) & other applicable tests iii) NDT (Non Destructive Testing) - As Applicable	100%	Approved Datasheet / Job Specification	Approved Datasheet / Job Specification	Material test certificates	-	R	R	
C	In process Inspection									
a	Machining of Components	Visual & Dimensional	100%	Approved Datasheet / Job Specification	Approved Datasheet / Job Specification	Suppliers Records	P	R	-	


b	Inspection of Welds	i) Visual ii) Applicable NDT	100%	Approved Datasheet / Job Specification	Approved Datasheet / Job Specification	Test Reports	P	W/R (Refer Note-1)	R	
c	Heat Treatment	Heat treatment as applicable	100%	Approved Datasheet / Job Specification	Approved Datasheet / Job Specification	HT Chart/Record	P	R		
D	Final Inspection									
a	Functional Test	Satisfactory Performance	100%	Approved Datasheet / Job Specification	Approved Datasheet / Job Specification	Test Reports	P	W	W/R	
b	Hydrostatic Test	Leak Check	100%	Approved Datasheet / Job Specification	Approved Datasheet / Job Specification	Test Reports	P	W	W/R	
c	Visual and Dimensional Inspection	Dimensions & Completeness of Assembly	100%	Approved Datasheet / Job Specification	Approved Datasheet / Job Specification	Inspection Record	P	W	W/R	
E	Painting									
a	Corrosion Resistant Painting & / or Antifouling Coating (As Applicable)	i) Painting Scheme ii) Visual Check iii) Final DFT Check	100%	Approved Datasheet / Job Specification	Approved Datasheet / Job Specification	Inspection Record	P	R	R	
F	Documentation and IC									
a	Final Documentation & Inspection Certificate(IC)	Issue of IC & Final document completeness certificate	As per PR	Approved Datasheet / Job Specification	Approved Datasheet / Job Specification	IC & Document completeness certificate	H	P	R	
Legend:										
H- Hold (Do not proceed without approval), Random -10% (min. 1 no.) of each size and type of Bulk item, R-Review, W-Witness (Give due notice, work may proceed after scheduled date).										
Notes:										
1). Inspection Engineer shall decide the option to be exercised for the particular stage and Suppliers 2). Forgings for Trigger, Weldolet, Mounting Nozzle, etc Shall be procured duly inspected by TPIA appointed by Supplier. 3). Witness-If New PQR / Applicable PQR is not qualified under reputed TPIA. Review-If Applicable PQR is qualified under reputed TPIA. 4). Supplier's in house procedures may be accepted in case TPIA is satisfied with adequacy of procedures to comply with Purchase Order/Specifications requirements; in case of non availability of suitable procedure s fresh procedures may be qualified under EIL witness. 5). In case of conflict between purchase specification, contract documents and QAP more stringent conditions shall be applicable. 6). This document describes generally the requirements pertaining to all types of the item. Requirements specific to PO and the item are only applicable. 7). Acceptance Norms/ Acceptance Criteria for all the activities shall be as per relevant/ job specification / Standard specifica tion/ data sheets/applicable codes & Standards etc. referred there in /Job Specification /Approved Documents.										



GAIL INDIA LIMITED

QAP FOR GAS DETECTOR

GAIL-STD-IN-DOC-QAP-009

						
0	15.01.2019	Issued for Bid	RKS	UNU	UNU	
REV	Date	Purpose of Issue	Prepared By	Checked By	Approved By	



VENDOR LOGO



QUALITY ASSURANCE PLAN FOR GAS DETECTOR

CUSTOMER:- END USER:- QAP NO.:- REV.:-
 SO NO.:- DATE:-
 PO NO.:-
 PROJECT:-
 REF DOCUMENT:-

Sr No.	Components & Operation	Characteristics	Class	Type of Check	Quantum of Check	Reference document	Acceptance norm	Agency		
								Vendor	TPI	GSPL
1 Raw Materials										
1.1	Gas detectors, Portable gas detectors & Power supply units,	i. Material Properties ii. Size iii. Rating iv. Make v. Type/Model No.	Major	Visual	100%	Clause 2.2 of DIN 50049/BS EN-50054 & 50057	Manufacturers certificate of conformity	P	R	R
2 In Process Inspection										
2.2	Internal test/Inspection	i. Calibration check of gas detectors including alarm. ii. General Finish & Physical Verification of Model no. - Range - Serial no. - Tag no. - Certification label - Accessories iii. Bill of material check iv. Interface with RTU v. Checking of all power wiring for continuity. vi. Checking of all control wiring for continuity & Polarity	Critical Major Major	Electrical/Physical Visual Visual Physical / Electrical Electrical/Physical Physical Physical	100%	BS EN-50054/BS EN-50057/Relevant Drawing	BS EN-50054/BS EN-50057	P	R	R
3 Witness Test Inspection										
3	Witness Test Inspection	i. Calibration check of gas detectors including alarm. ii. Interface with SCADA/RTU	Critical	Electrical/Physical				P	W	W/R
			Critical	Physical				P	W	W/R
4 Review of Documents										
4	Review of Documents	i. Statuary approval certificates (BIS or equivalent) for gas detectors, portable detectors etc. for use in specified Hazardous area. ii. Certificates from testing agencies like BASEEFA, CENELEC, CMRI, FM, PTB, CCOE/PESO or equivalent for gas detectors, portable detectors, Junction boxes etc. for use in specified Hazardous area. iii. Degree of Protection iv. Material test certificate with detailed chemical analysis (MIL certificate)	Critical	Visual	100%	IS-2148/IEC-79	IS-2148/IEC-79	P	R	R
			Critical	Visual	100%	IS-2148/IEC-79	IS-2148/IEC-79	P	R	R
			Critical	Visual	100%	IS-2147/IEC-529	IS-2147/IEC-530	P	R	R
			Critical	Visual	100%	Clause 2.2 of DIN 50049/BS EN-50054 & 50057	Clause 2.2 of DIN 50049/BS EN-50054 & 50057	P	R	R


LEGENDS: R: Review of Docs, W: Witness, P: Perform
 Notes:
 1). Acceptance Norms/ Acceptance Criteria for all the activities shall be as per relevant specification/ data sheets/ applicable codes & standards etc. referred there in /Job Specification /Approved Documents.



GAIL INDIA LIMITED

GAS OVER OIL ACTUATOR

GAIL-STD-IN-DOC-QAP-010

						
0	15.01.2019	Issued for Bid	RKS	UNU	UNU	
REV	Date	Purpose of Issue	Prepared By	Checked By	Approved By	



QUALITY ASSURANCE PLAN GAS OVER OIL ACTUATOR

DOC.No.
GAIL-STD-IN-DOC-QAP-010



Sr. No.	Stage /Activity	Characterstics	Quantum of Check	Reference Document	Acceptance Norms	Format Of Records	Inspection By		Remarks
							Sub Suppliar	suppliar	
1	Procedures	--	--			--	--	--	
2	Material Description								
2.1	Incoming material like Control Valves, Solenoid Valves,Gaskets,Junction Boxes, Flow regulators, Hydraulic filters, Gas Filters, Limit Switches, Instrument tubing,Cables,Hydraulic Pumps,Limit Valves, Pressure Gauges, etc.	1. Matreial Identification & Chemical Composition 2. Mechanical & Physical propserties 3. Operational Checks 4. Caliberation Checks (As applicable)	100% by Supplier	Refer note -6	Refer note -5	Material test Certificate	p	H	
2.2	Oil Tanks	Hydrostatic Pressure test	100% by Sub Supplier	Refer note -6	Refer note -5	Material test Certificate	p	H	
2.3	Gas Buffer Tanks	Hydrostatic Pressure test	100% by Sub Supplier			Material test Certificate	p	H	
2.4	Hydraulic Fluid	1.Chemical Composition 2. Cleanliness Levels	100% by Sub Supplier	Refer note -6	Refer note -5	Material test Certificate	p	H	
3	In Process Inspection								
3.1	Castings of pressure Contating Parts	Radiographt test	100% by Supplier	Refer note -6	Refer note -5	Supplier's test record	-	H	
3.2	Forgings	Ultrasonic testing	100% by Supplier	Refer note -6	Refer note -5	Supplier's test record	-	H	
3.3	Machined Surface	Liquid Penetrent test	100% by Supplier	Refer note -6	Refer note -5	Supplier's test record	-	H	
	Sealing areas within the actuator body	Magnetic particle Testing	100% by Supplier	Refer note -6	Refer note -5	Supplier's test record	-	H	
	Actuator body	Pressure test for Flame proff Enclosuere	100% by Supplier	Refer note -6	Refer note -5	Supplier's test record	-	H	
	Complete Assembly	1. Visual, Dimensional & BOM 2.Operation Checks	100% by Supplier	Refer note -6	Refer note -5	Supplier's test record	-	H	
4	Final Inspection								



QUALITY ASSURANCE PLAN GAS OVER OIL ACTUATOR

DOC.No.
GAIL-STD-IN-DOC-QAP-010



Sr. No.	Stage /Activity	Characterstics	Quantum of Check	Reference Document	Acceptance Norms	Format Of Records	Inspection By		Remarks
							Sub Suppliar	suppliar	
4.1	Final Inspection (At Actuator Manufacturer's Works)	1. Visual, Dimensional Checks 2. Bill of Material 2.Verification of Tag no. and Plate no. 4.Hydrostatics test at 1.5 times the actuator Design pressure for min. 2 hrs. 5.Check for Actuator torque or Thrust 6. Seal test of Hydraulic Circuits 7. Verification of opening and closing time and contriol of operating time 8. Actutaor functional test including open close operations (at Least 5 times) Remote operation of actuatorand checking of all remote feedbacks and signals, Local operation of actuator, operation of linit switches and position indicators (mechanical & Electrical) 9. Check for Emergency manual override.	100% by Supplier and on random basis by EIL/TPIA	Refer note -6	Refer note -5	Supplier's test record	-	P	
4.2	Integral Testing	Valve/Actuator assembly test at valve manufacturer's work. The following as a minmum shall be Carried out - Open/Close Operations. (at min. & Max. Pressure. -Stroke time (if applicable) -No Load test or Load operations with the min. Required feeding pressure. - Electrical and Mechanical Operation test.	100% of each type and rating	Refer note -6	Refer note -5	Supplier's test record	-	P	
5	Painting								



QUALITY ASSURANCE PLAN GAS OVER OIL ACTUATOR

DOC.No.
GAIL-STD-IN-DOC-QAP-010



Sr. No.	Stage /Activity	Characteristics	Quantum of Check	Reference Document	Acceptance Norms	Format Of Records	Inspection By		Remarks
							Sub Supplier	supplier	
5.1	Painting & Packing	1. Visual 2. Suitable protection to prevent entry of foreign material 3. Protection against damage during transportation 4. Suitable packing for outdoor storage areas with heavy rains/high ambient temprature ubnless otherwise agreed	100%	Refer note -6	Refer note -5	Supplier's test record	-	W	
6	Documentation and IC								
6.1	Documentation and IC	1. Certificate for testing agency like ATEX,CIMFR,BASEEFA,FM/UL, PTB etc. for suitability in specified hazardeous area. 2. Statutory approval certificates from CCE/PESO for use in specifised hazardeous area. 3. Degree of protection certificate for actuator enclosure, JB, Solenoid Enclosure, Limit switches etc. 4. Flameproof Certification for cable glands, Relays, Valves etc from independent testing agency. 4. A valid BIS license for inmdegenious supply. 5. Operation and maintenace manual	100%	Refer note -6	Refer note -5	Supplier's test record	-	R	
- Supplier to submit internal test reports, type test reports before offereing items for ispection to TPIA.									
*Radiography Films shall be reviewed									
Legend :									
M : Manufacturer		C : Client (GAIL)				A : Approval		H : Hold	
NA : Not Applicable		W / R : Witness of Test & Review of Certificates & Documents as per QAP			W : Witness		RW : Random Witness		
Notes: -									
1	wherever W/R or H/W is indicated, inspection Engineer shall decide the option to be exercised for the particular stage and supplier.								
2	In case of conflict between purchase specification, cotract documents and ITP, more stringent conditions shall be applicable.								
3	This documnets describes genreally the requirements pertaining to all types of the items. Requirements specific to PO and the item are only applicable								
4	Acceptance norms/ acceptance criteria for all the activities shall be as per relevent/job specification/standard specification/data sheets/applicable codes & standard etc. referred there in /job specification/approved documents.								
5	Reference documents are relevent Job specifications /standard specifications/data sheets/applicable codes & standards								



LYONS ENGINEERING PVT. LTD.
NEW DELHI

INSTRUMENT CONNECTION ON VESSEL,
STANDPIPES AND TANKS

DRAWING NO.

GAIL-ENG-IN-DWG-TP-001

1 OF 4

INSTRUMENT CONNECTION ON VESSEL, STANDPIPES AND TANKS

0	15.01.19	ISSUED FOR TENDER	D.V		U.N		S.B	
REV.NO.	DATE	SUBJECT OF REVISION	BY	CHECKED	APPROVED			



LYONS ENGINEERING PVT. LTD.
NEW DELHI

INSTRUMENT CONNECTION ON VESSEL,
STANDPIPES AND TANKS

DRAWING NO.

GAIL-ENG-IN-DWG-TP-001

2 OF 4

S.NO.	TYPE OF INSTRUMENTS	UNCLADDED EQUIPMENTS		CLADDED EQUIPMENTS		INSTRUMENT CONNECTION
		EQUIPMENT/STANDPIPE CONNECTION	FIRST BLOCK VALVE	EQUIPMENT/STANDPIPE CONNECTION	FIRST BLOCK VALVE	
1.	EXTERNAL DISPLACER LEVEL INSTRUMENT ON EQUIPMENT	2" FLGD.	2" FLGD.	3" FLGD.	3" FLGD.	2" FLGD.
2.	EXTERNAL DISPLACER LEVEL INSTRUMENT ON STANDPIPE	2" FLGD.	2" FLGD.	2" FLGD.	2" FLGD.	2" FLGD.
3.	EXTERNAL GUIDED WAVE LEVEL INSTRUMENT ON EQUIPMENT	2" FLGD.	2" FLGD.	3" FLGD.	3" FLGD.	2" FLGD.
4.	EXTERNAL GUIDED WAVE LEVEL INSTRUMENT ON STANDPIPE	2" FLGD.	2" FLGD.	2" FLGD.	2" FLGD.	2" FLGD.
5.	EXTERNAL MAGNETIC LEVEL INSTRUMENT/ GAUGE ON EQUIPMENT	2" FLGD.	2" FLGD.	3" FLGD.	3" FLGD.	2" FLGD.
6.	EXTERNAL MAGNETIC LEVEL INSTRUMENT/ GAUGE ON STANDPIPE	2" FLGD.	2" FLGD.	2" FLGD.	2" FLGD.	2" FLGD.
7.	EXTERNAL BALL FLOAT LEVEL INSTRUMENT ON VESSEL	2" FLGD.	2" FLGD.	3" FLGD.	3" FLGD.	1" SW.
8.	EXTERNAL BALL FLOAT LEVEL INSTRUMENT ON STANDPIPE	1" SW/BW #	1" SW/BW #	1" SW/BW #	1" SW/BW #	1" SW
9.	INTERNAL DISPLACER / FLOAT LEVEL INSTRUMENTS	4" FLGD.	-	-	4" FLGD.	4" FLGD.
10.	INTERNAL GUIDED WAVE LEVEL INSTRUMENT ON EQUIPMENT	4" FLGD.	-	-	4" FLGD.	4" FLGD.
11.	MAGNETIC LEVEL INSTRUMENT/ GAUGE (INTERNAL - TOP MOUNTED)	4" FLGD.	-	-	4" FLGD.	4" FLGD.
12.	LEVEL GAUGE ON VESSEL	2" FLGD.	2" FLGD.	3" FLGD.	3" FLGD.	3/4" SCRD.
13.	LEVEL GAUGE ON STANDPIPE	3/4" SW/BW #	3/4" SW/BW #	3/4" SW/BW #	3/4" SW/BW #	3/4" SCRD.
14.	SPECIAL LEVEL INSTRUMENT ON EQUIPMENT (CAPACITANCE PROBE/ULTRASONIC PROBE/R.F.PROBE)	2" FLGD.	-	3" FLGD.	-	2" FLGD.
15.	D.P. INSTRUMENT/ GAUGES ON VESSEL	2" FLGD.	2" BW/FLGD #	3" FLGD.	3" FLGD.	3/4" SCRD.
16.	D.P. INSTRUMENT/ GAUGES ON STANDPIPE	3/4" SW/BW #	3/4" SW/BW #	3/4" SW/BW #	3/4" SW/BW #	1/2" SCRD.
17.	DIAPHRAGM SEAL D.P.IN STRUMENT/ GAUGES ON VESSEL		3" FLGD.	3" FLGD.	3" FLGD.	3" FLGD.
18.	EXTENDED DIAPHRAGM SEAL D.P. INSTR/ GAUGE ON VESSEL	4" FLGD.(NOTE-1)	4" FLGD.(NOTE-1)	-	3" FLGD.	4" FLGD.

0	15.01.19	ISSUED FOR TENDER	D.V	U.N	S.B
REV.NO.	DATE	SUBJECT OF REVISION	BY	CHECKED	APPROVED



LYONS ENGINEERING PVT. LTD.
NEW DELHI

INSTRUMENT CONNECTION ON VESSEL,
STANDPIPES AND TANKS

DRAWING NO.

GAIL-ENG-IN-DWG-TP-001

3 OF 4

S.NO.	TYPE OF INSTRUMENTS	UNCLADDED EQUIPMENTS		CLADDED EQUIPMENTS		INSTRUMENT CONNECTION
		EQUIPMENT/STANDPIPE CONNECTION	FIRST BLOCK VALVE	EQUIPMENT/STANDPIPE CONNECTION	FIRST BLOCK VALVE	
19.	DIP TUBE LEVEL INSTRUMENT	6" FLGD.	1/2" SW (BY INST)	6" FLGD.	1/2" SW (BY INST)	1/2" SCRD.
20.	TANK LEVEL INSTRUMENT (MECHANICAL)	1/2" FLGD.	1/2" FLGD. (BY INST)	-	-	1/2" SCRD.
21.	TANK LEVEL INSTRUMENT (SERVO) ON ATMOSPHERIC TANKS	6" FLGD.	-	-	-	6" FLGD.
22.	TANK LEVEL INSTRUMENT (SERVO) FOR PRESSURISED EQUIPMENT	6" FLGD.	6" FLGD.(BY INST)	6" FLGD.	6" FLGD.(BY INST)	6" FLGD.
23.	TANK LEVEL INSTRUMENT (RADAR) ON ATMOSPHERIC TANK (CLEAN SERVICE)	8" FLGD.	-	-	-	8" FLGD.
24.	TANK LEVEL INSTRUMENT (RADAR) ON ATMOSPHERIC TANK (VISCIOUS SERVICE)	24" FLGD.	-	-	-	24" FLGD.
25.	TANK LEVEL INSTRUMENT (RADAR) FOR PRESSURISED EQUIPMENTS	8" FLGD.	-	8" FLGD.	-	8" FLGD.
26.	TANK LEVEL INSTRUMENT - CAPACITANCE / ULTRASONIC/ RF TYPE ON ATMOSPHERIC TANKS/PRESSURSED EQUIPMENTS	2" FLGD.	-	3" FLGD.	-	2" FLGD.
27.	TANK LEVEL INSTRUMENT - TUNING FORK	3" FLGD.	-	-	-	3" FLGD.
28.	PRESSURE INSTRUMENT/ GAUGE ON VESSEL	2" FLGD.	2" BW/FLGD. #	3" FLGD.	3" BW/FLGD. #	1/2" SCRD.
29.	PRESSURE INSTRUMENT/ GAUGE ON STANDPIPE	3/4" SW/BW #	3/4" SW/BW #	3/4" SW/BW #	3/4" SW/BW #	1/2" SCRD.
30.	CHEMICAL SEAL PRESSURE INSTRUMENT/ GAUGE ON VESSEL	2" FLGD.	2" FLGD.	3" FLGD.	3" FLGD.	1/2" SCRD.
31.	DIAPHRAGM SEAL PRESSURE INSTRUMENT /GAUGE ON VESSEL	2" FLGD.	2" FLGD.	3" FLGD.	3" FLGD.	2" FLGD.
32.	THERMOWELL ON EQUIPMENT	2" FLGD.	-	3" FLGD.	-	2" FLGD./ 3" FLGD.
33.	MULTI-POINT TEMPERATURE ELEMENTS FOR TANKS	3" FLGD.	-	3" FLGD.	-	3" FLGD.
34.	STANDPIPE (RATING UP TO 600#)	2" FLGD.	-	3" FLGD.	-	-
35.	STANDPIPE (RATING > 600#)	3" FLGD.	-	3" FLGD.	-	-

0	15.01.19	ISSUED FOR TENDER	D.V	U.N	S.B
REV.NO.	DATE	SUBJECT OF REVISION	BY	CHECKED	APPROVED



LYONS ENGINEERING PVT. LTD.
NEW DELHI

INSTRUMENT CONNECTION ON VESSEL,
STANDPIPES AND TANKS

DRAWING NO.

GAIL-ENG-IN-DWG-TP-001

4 OF 4

NOTES:

1. O.D OF EXTENDED DIAPHRAGM OF INSTRUMENT SHALL BE SELECTED TO SUIT NOZZLE I.D OF EQUIPMENT.
2. ALL FLANGES/SW RATING SHALL BE AS PER PIPING SPECIFICATION UNLESS PROJECT SPECIFICATION REQUIRES MIN. 300#.
3. IN CASE OF DIRECT MOUNTED FLANGED INSTRUMENTS AND WHERE FLANGED TYPE FIRST ISOLATION VALVE ARE PROVIDED, BOLTING AND GASKETS SHALL BE IN PIPING SCOPE.
4. INSTALLATION OF STILL WELL OF TANK LEVEL INSTRUMENTS (SERVO, MECHANICAL AND MULTIPOINT TEMPERATURE ELEMENT) ON TANKS ARE IN TANK VENDOR SCOPE
5. FOR ANY OTHER INSTRUMENTS NOT REFERED ABOVE THE CONNECTION DETAILS SHALL BE AS PER PROJECT REQUIREMENT.
6. AS PER PIPING SPECIFICATION/PROJECT PHILOSOPHY.

0	15.01.19	ISSUED FOR TENDER	D.V		U.N		S.B	
REV.NO.	DATE	SUBJECT OF REVISION	BY	CHECKED	APPROVED			



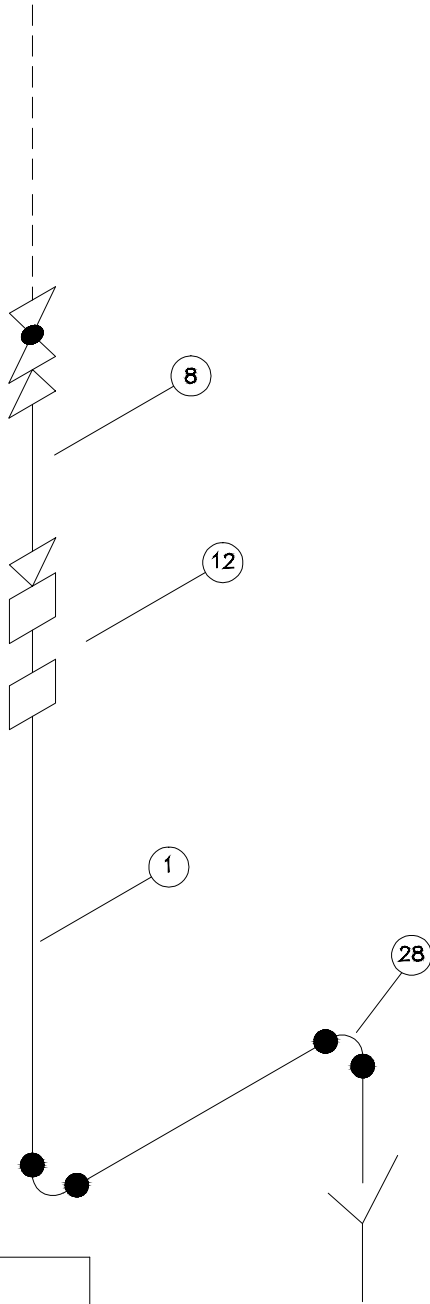
LYONS ENGINEERING PVT. LTD.
NEW DELHI

DARIN FOR SINGLE LINE

DRAWING NO.

GAIL-ENG-IN-DWG-TP-002

1 OF 1



LIST OF ITEMS

CODE	DESCRIPTION	SIZE	ENDS	QTY.	UNIT
1	PIPE	1/2"	PL	A/R	m
8	NIPPLE	1/2"	TH X TH	1	No
12	COUPLING	1/2"	TH	1	No
28	ELBOW	1/2"	SW	2	No

0	15.01.19	ISSUED FOR TENDER			D.V	U.N	S.B		
REV.NO.	DATE	SUBJECT OF REVISION			BY	CHECKED	APPROVED		



LYONS ENGINEERING PVT. LTD.
NEW DELHI

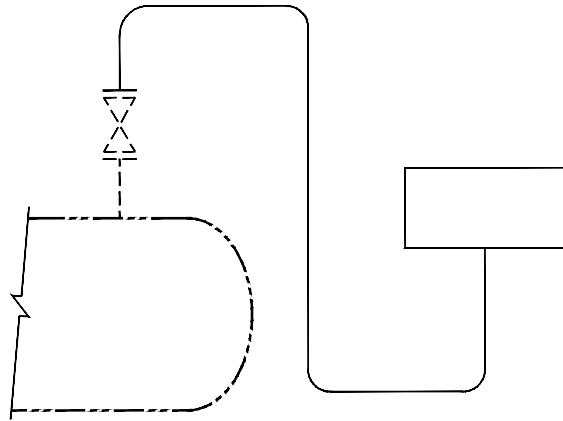
**PRESSURE INSTRUMENT
INSTALLATION
SCOPE OF WORK**

DRAWING NO.

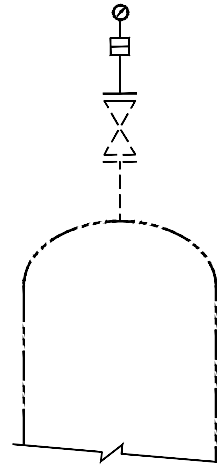
GAIL-ENG-IN-DWG-TP-003

1 OF 3

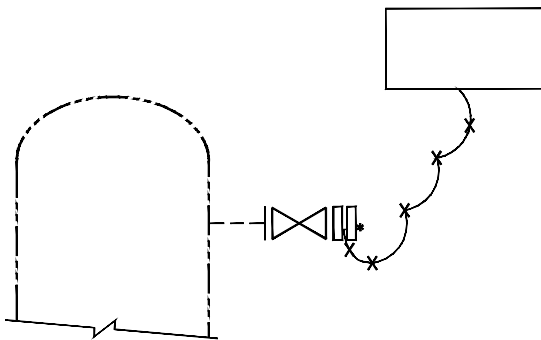
**(P-1) PRESSURE INSTRUMENT
ON VESSEL**



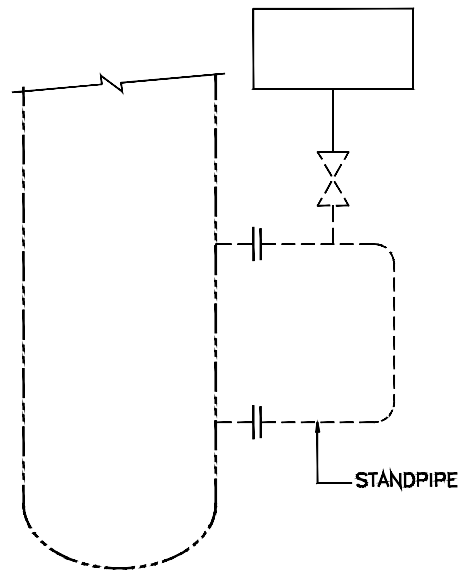
**(P-2) CHEMICAL SEAL PRESSURE
GAUGE
(SCRD.) ON VESSEL**



**(P-3) DIAPHRAGM SEAL PRESS.
INST./GAUGE
(FLGD.) ON VESSEL WITH CAPILLARY**



**(P-4) PRESSURE INSTRUMENT
ON STAND PIPE**



NOTES:

- * STUD LENGTH = STANDARD LENGTH + 3" STUD & NUTS BY INSTRUMENT GROUP
- 1. REFER STANDARD NO. SD-IC-001 FOR SIZE AND CONNECTION TYPE OF ISOLATION VALVE.

————— INSTRUMENT GROUP
 - - - - - PIPING GROUP
 - - - - - VESSEL GROUP

0	15.01.19	ISSUED FOR TENDER	D.V	U.N	S.B
REV.NO.	DATE	SUBJECT OF REVISION	BY	CHECKED	APPROVED



LYONS ENGINEERING PVT. LTD.
NEW DELHI

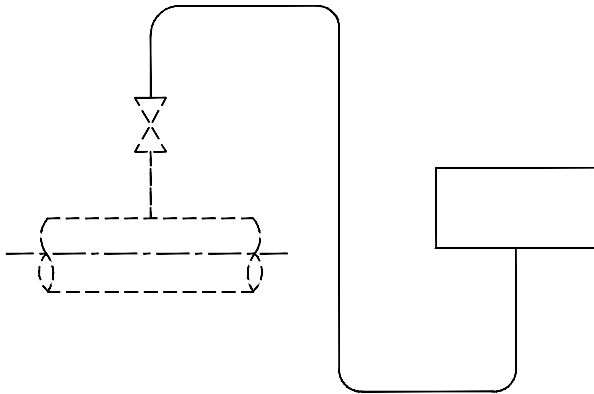
**PRESSURE INSTRUMENT
INSTALLATION
SCOPE OF WORK**

DRAWING NO.

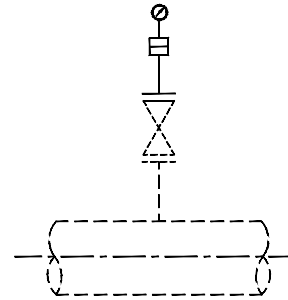
GAIL-ENG-IN-DWG-TP-003

2 OF 3

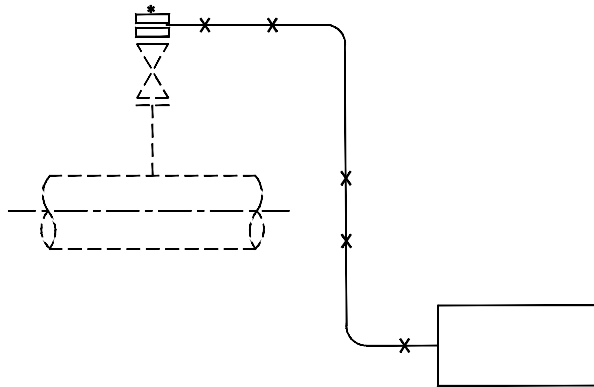
**(P-5) PRESSURE INSTRUMENT
ON PIPE**



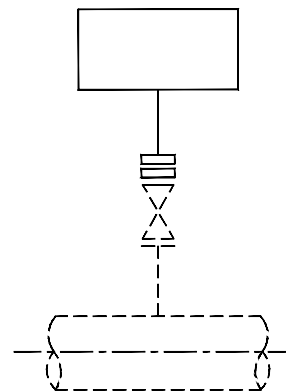
**(P-6) CHEMICAL SEAL
PRESSURE GAUGE (SCRD.) ON PIPE**



**(P-7) DIAPHRAGM SEAL PRESSURE
INST./
GAUGE ON PIPE WITH CAPILLARY**



**(P8) DIAPHRAGM SEAL PRESSURE
INST./
GAUGE (FLGD) ON PIPE**



NOTES:

* STUD LENGTH = STANDARD LENGTH + 3" STUD & NUTS BY INSTRUMENT GROUP.

1. REFER STANDARD NO. SD-IC-001.

FOR SIZE AND CONNECTION TYPE OF ISOLATION VALVE.

————— INSTRUMENT GROUP
----- PIPING GROUP

0	15.01.19	ISSUED FOR TENDER	D.V		U.N		S.B	
REV.NO.	DATE	SUBJECT OF REVISION	BY	CHECKED	APPROVED			



LYONS ENGINEERING PVT. LTD.
NEW DELHI

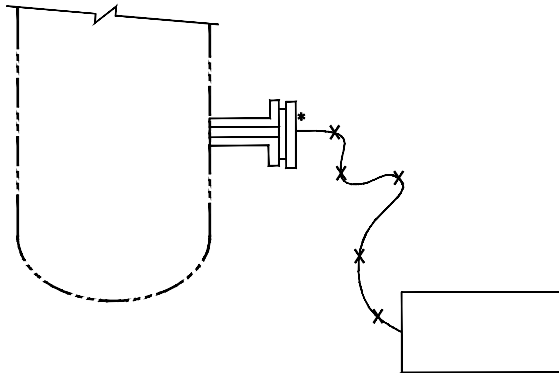
**PRESSURE INSTRUMENT
INSTALLATION
SCOPE OF WORK**

DRAWING NO.

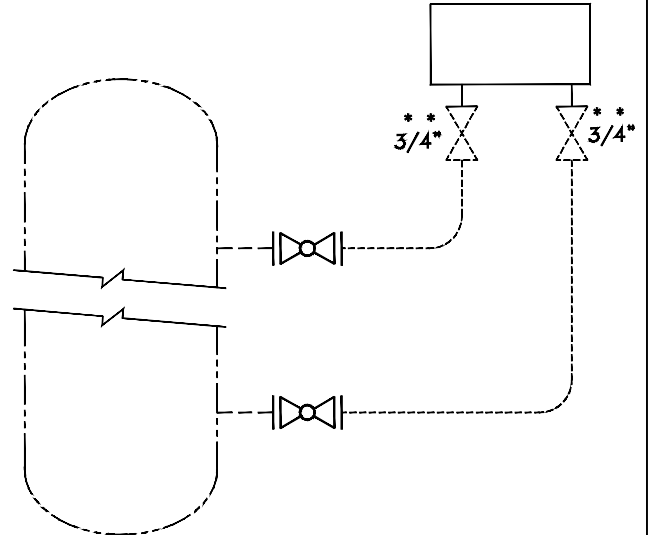
GAIL-ENG-IN-DWG-TP-003

3 OF 3

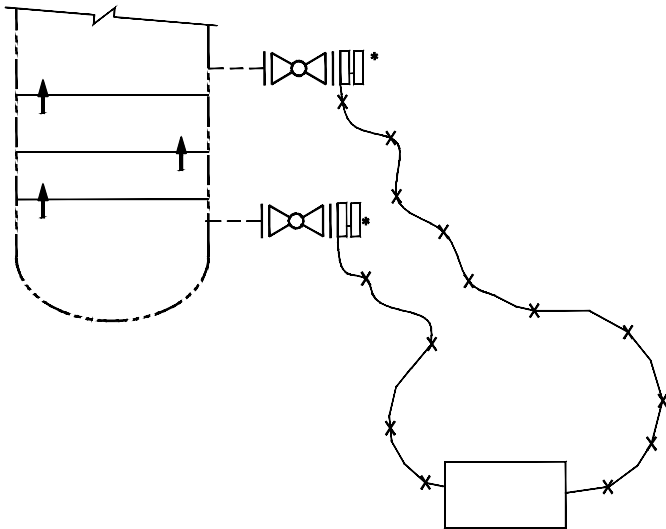
**(P-9) PRESSURE INSTRUMENT
EXTENDED DIAPHRAGM SEAL ON
VESSEL**



**(P-10) DIFFERENTIAL PRESSURE
INSTRUMENT
ACROSS COLUMN**



**(P-11) DIAPHRAGM SEAL
DP INSTRUMENT ON EQUIPMENT**



NOTES:

*STUD LENGTH = STANDARD LENGTH + 3" STUD & NUTS BY INSTRUMENT GROUP

** PROVIDE AT THE PLATFORM ABOVE THE UPPER TAP-OFF POINT.

1. REFER STANDARD NO. SD-IC-001.

FOR SIZE AND CONNECTION TYPE OF ISOLATION VALVE.

————— INSTRUMENT GROUP
 - - - - - PIPING GROUP
 - - - - - VESSEL GROUP

0	15.01.19	ISSUED FOR TENDER	D.V		U.N		S.B	
REV.NO.	DATE	SUBJECT OF REVISION	BY	CHECKED	APPROVED			



LYONS ENGINEERING PVT. LTD.
NEW DELHI

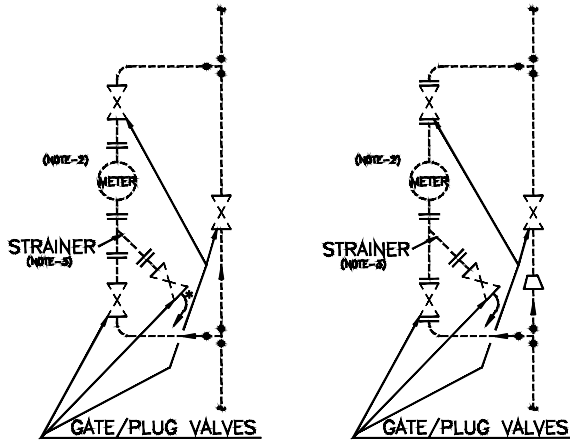
FLOW METER
INSTALLATION
SCOPE OF WORK

DRAWING NO.

GAIL-ENG-IN-DWG-TP-004

1 OF 8

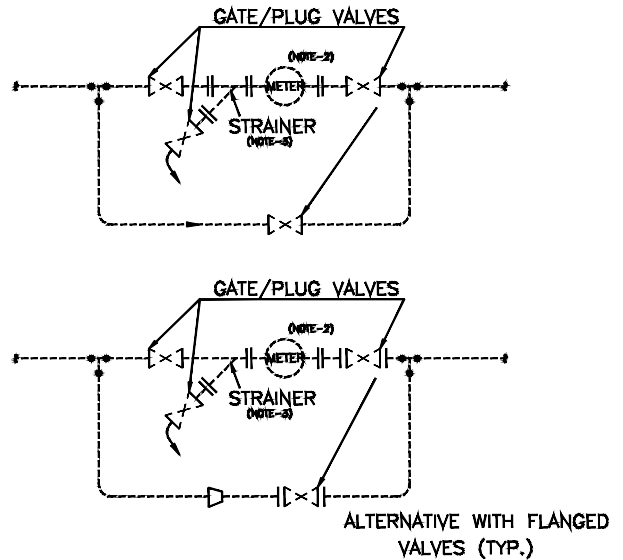
POSITIVE DISPLACEMENT METER IN
VERTICAL LINE



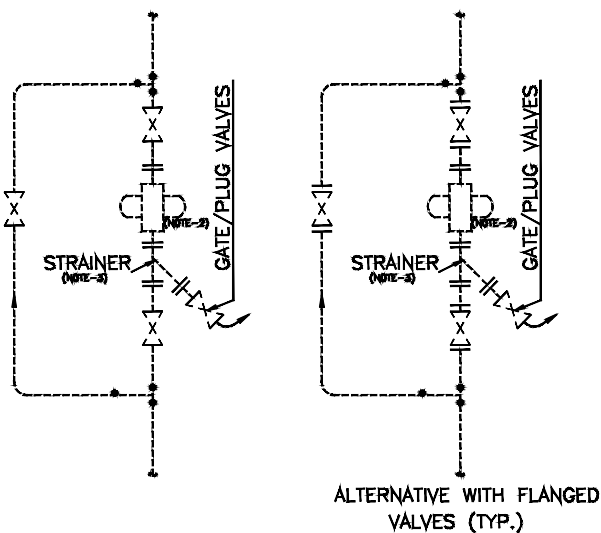
* DRAIN (TYP.)

ALTERNATIVE WITH FLANGED
VALVES (TYP.)

POSITIVE DISPLACEMENT METER IN
HORIZONTAL LINE

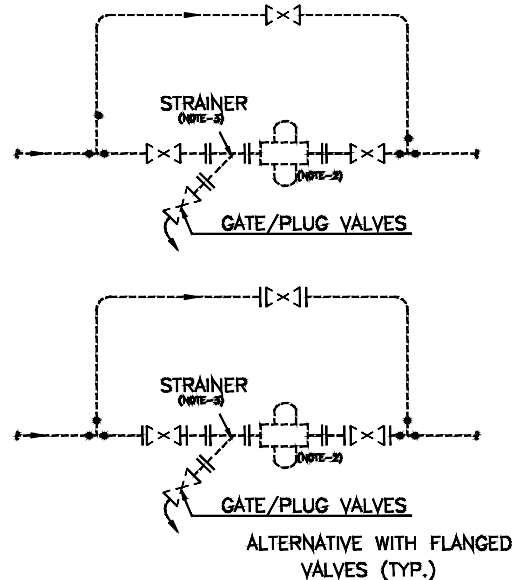


MASS FLOW METER IN VERTICAL LINE



ALTERNATIVE WITH FLANGED
VALVES (TYP.)

MASS FLOW METER IN HORIZONTAL LINE



ALTERNATIVE WITH FLANGED
VALVES (TYP.)

NOTES:

1. ENTIRE INSTALLATION SHOWN IS BY PIPING / MECHANICAL CONTRACTOR, P & ID SHALL BE REFERRED FOR FINAL SCHEME.
2. PROCUREMENT BY INSTRUMENT GROUP.
3. PROCUREMENT BY PIPING / INSTRUMENT GROUP AS PER P&ID.
4. PROCUREMENT OF OTHER ITEMS NOT COVERED IN NOTE-2 & NOTE-3 BY PIPING.

0	15.01.19	ISSUED FOR TENDER	D.V	U.N	S.B
REV.NO.	DATE	SUBJECT OF REVISION	BY	CHECKED	APPROVED



LYONS ENGINEERING PVT. LTD.
NEW DELHI

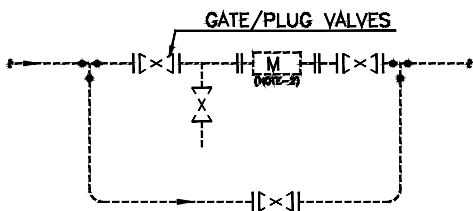
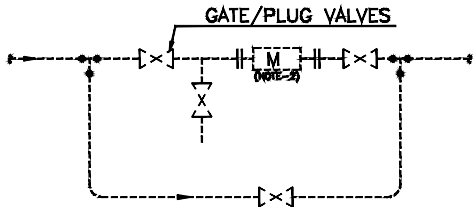
FLOW METER
INSTALLATION
SCOPE OF WORK

DRAWING NO.

GAIL-ENG-IN-DWG-TP-004

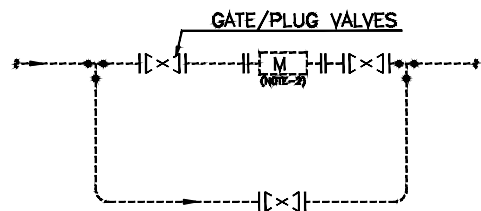
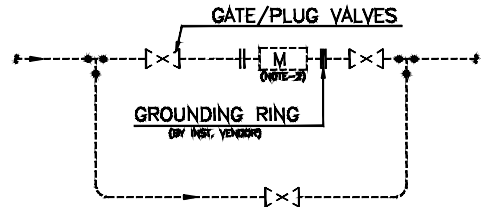
2 OF 8

MAGNETIC FLOW METER
(UNLINED PIPE)



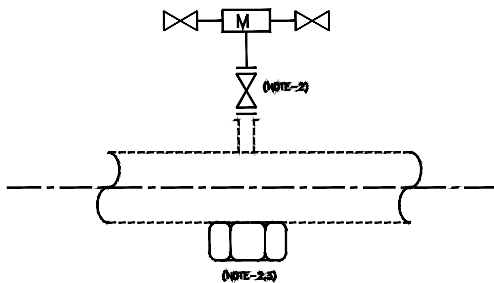
ALTERNATIVE WITH FLANGED
VALVES (TYP.)

MAGNETIC FLOW METER (LINED PIPE)

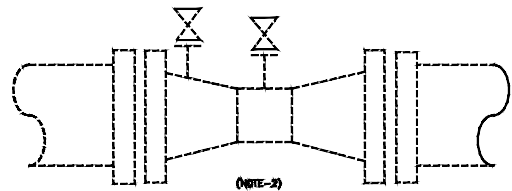


ALTERNATIVE WITH FLANGED
VALVES (TYP.)

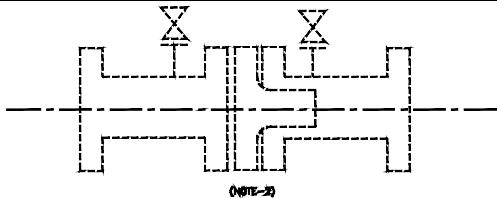
AVERAGING PITOT TUBE



VENTURI TUBE



FLOW NOZZLE



NOTES:

1. ENTIRE INSTALLATION SHOWN IS BY PIPING / MECHANICAL CONTRACTOR, P & ID SHALL BE REFERRED FOR FINAL SCHEME.
2. PROCUREMENT BY INSTRUMENT GROUP.
3. PROCUREMENT BY PIPING / INSTRUMENT GROUP AS PER P&ID.
4. PROCUREMENT OF OTHER ITEMS NOT COVERED IN NOTE-2 & NOTE-3 BY PIPING.

0	15.01.19	ISSUED FOR TENDER	D.V	U.N	S.B
REV.NO.	DATE	SUBJECT OF REVISION	BY	CHECKED	APPROVED



LYONS ENGINEERING PVT. LTD.
NEW DELHI

FLOW METER
INSTALLATION
SCOPE OF WORK

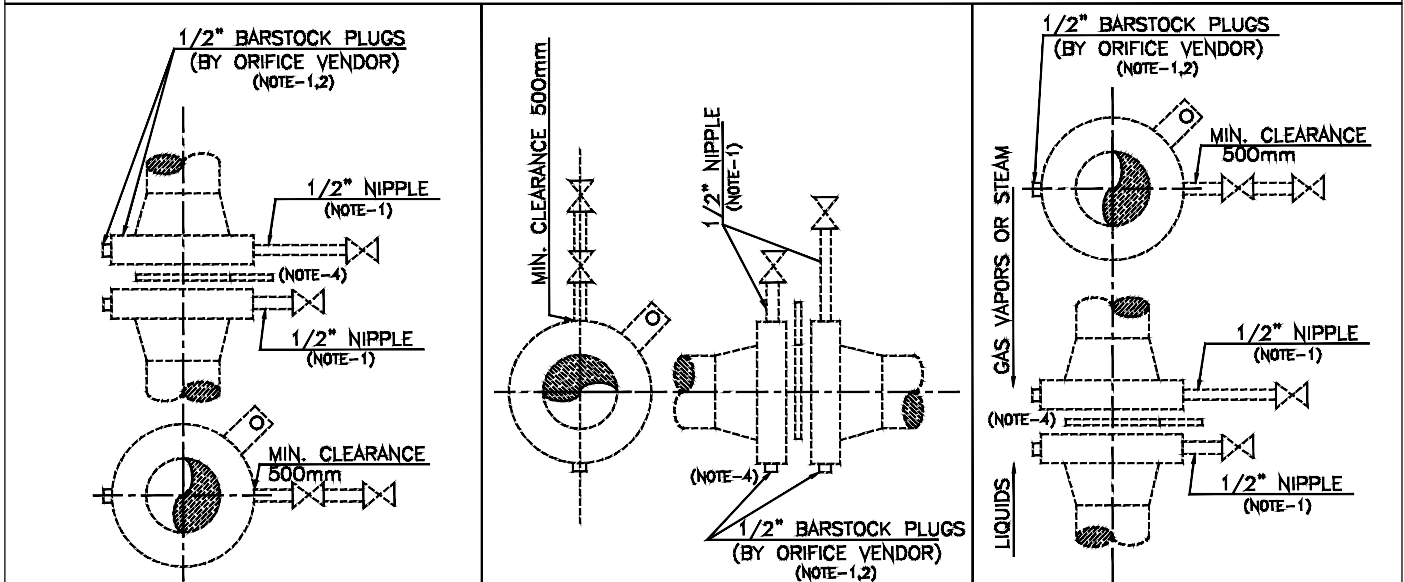
DRAWING NO.

GAIL-ENG-IN-DWG-TP-004

3 OF 8

ORIFICE FLANGE ASSEMBLIES – SINGLE TAPPING

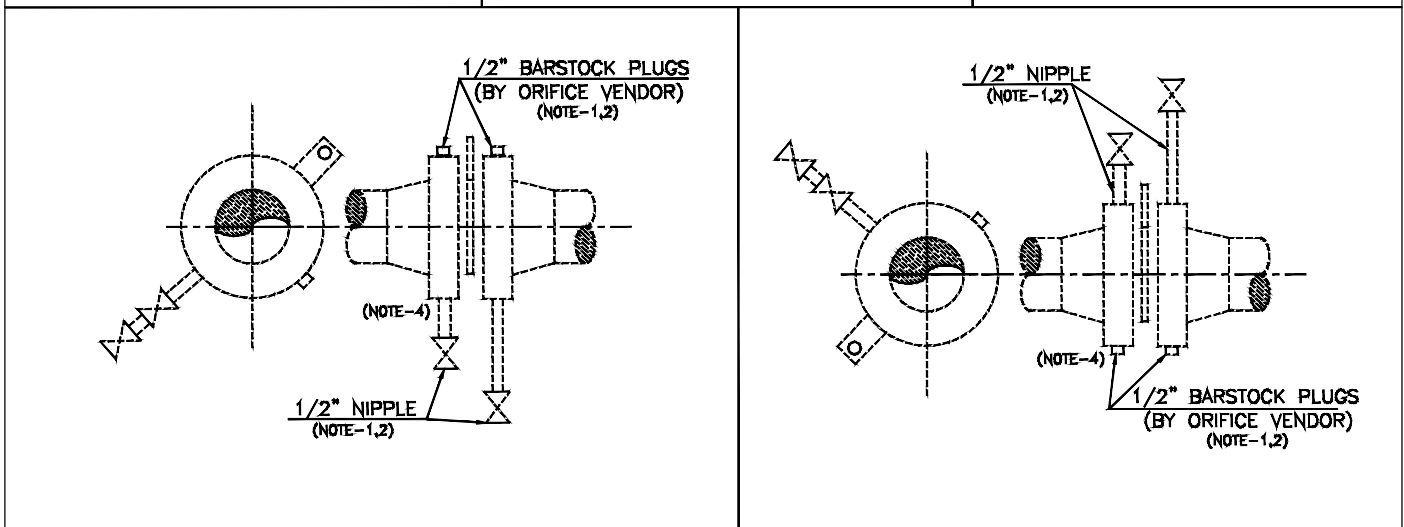
(FOR RATING UPTO ASME CLASS 600)



HORIZONTAL METER RUN
WHEREVER REQUIRED

GAS, HORIZONTAL METER RUN

ANY FLUID, VERTICAL METER RUN



LIQUID LINES ON PIPE RACK

STEAM / GAS LINES ON PIPE RACK

NOTES:

1. SEAL WELDING BY PIPING GROUP.
2. ORIFICE VENDOR SHALL PROVIDE 1/2" BAR STOCK PLUG FOR SPARE TAPPING.
3. ENTIRE INSTALLATION SHOWN IS BY PIPING / MECHANICAL CONTRACTOR.
4. PROCUREMENT BY INSTRUMENT GROUP
5. PROCUREMENT OF OTHER ITEMS NOT COVERED IN NOTE-2 & NOTE-4 BY PIPING.
6. IN CASE OF PRE-FABRICATED HOOKUP, NIPPLE & ISOLATION VALVE SHALL BE SUPPLIED BY PREFAB VENDOR.

0	15.01.19	ISSUED FOR TENDER	D.V	U.N	S.B
REV.NO.	DATE	SUBJECT OF REVISION	BY	CHECKED	APPROVED

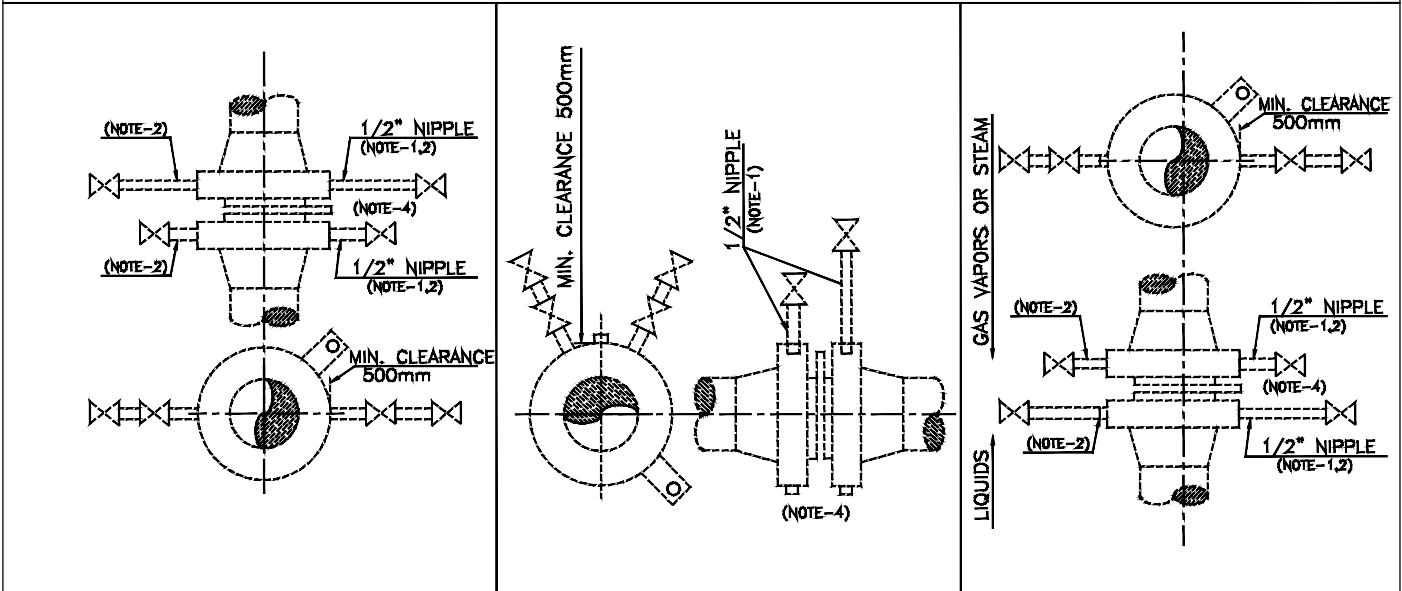


LYONS ENGINEERING PVT. LTD.
NEW DELHI

FLOW METER
INSTALLATION
SCOPE OF WORK

DRAWING NO.
GAIL-ENG-IN-DWG-TP-004
4 OF 8

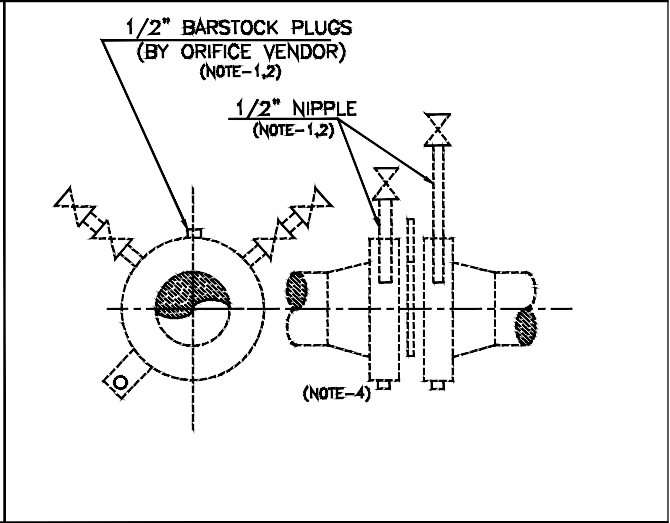
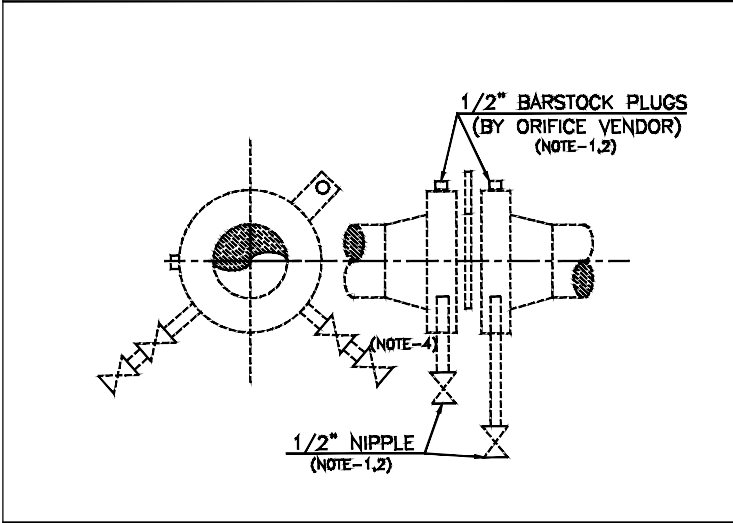
ORIFICE FLANGE ASSEMBLIES – TWO TAPPINGS
(FOR RATING UPTO ASME CLASS 600)



HORIZONTAL METER RUN
WHEREVER REQUIRED

GAS, HORIZONTAL METER RUN

ANY FLUID, VERTICAL METER RUN



LIQUID LINES ON PIPE RACK

STEAM / GAS LINES ON PIPE RACK

NOTES:

1. SEAL WELDING BY PIPING GROUP.
2. ORIFICE VENDOR SHALL PROVIDE 1/2" BAR STOCK PLUG FOR SPARE TAPPING.
3. ENTIRE INSTALLATION SHOWN IS BY PIPING / MECHANICAL CONTRACTOR.
4. PROCUREMENT BY INSTRUMENT GROUP
5. PROCUREMENT OF OTHER ITEMS NOT COVERED IN NOTE-2 & NOTE-4 BY PIPING.
6. IN CASE OF PRE-FABRICATED HOOKUP, NIPPLE & ISOLATION VALVE SHALL BE SUPPLIED BY PREFAB VENDOR.

0	15.01.19	ISSUED FOR TENDER	D.V	U.N	S.B
REV.NO.	DATE	SUBJECT OF REVISION	BY	CHECKED	APPROVED

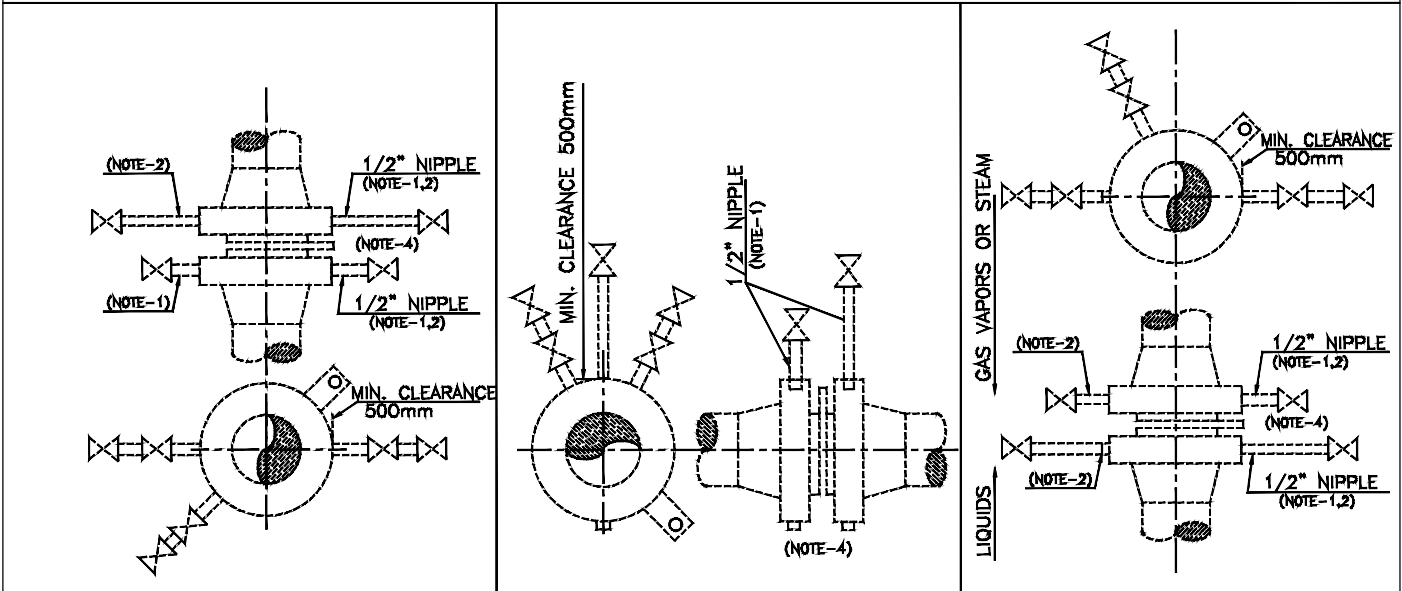


LYONS ENGINEERING PVT. LTD.
NEW DELHI

FLOW METER
INSTALLATION
SCOPE OF WORK

DRAWING NO.
GAIL-ENG-IN-DWG-TP-004
5 OF 8

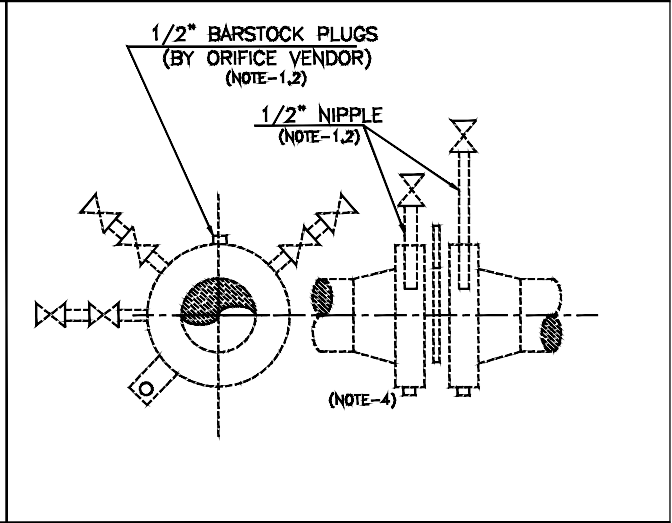
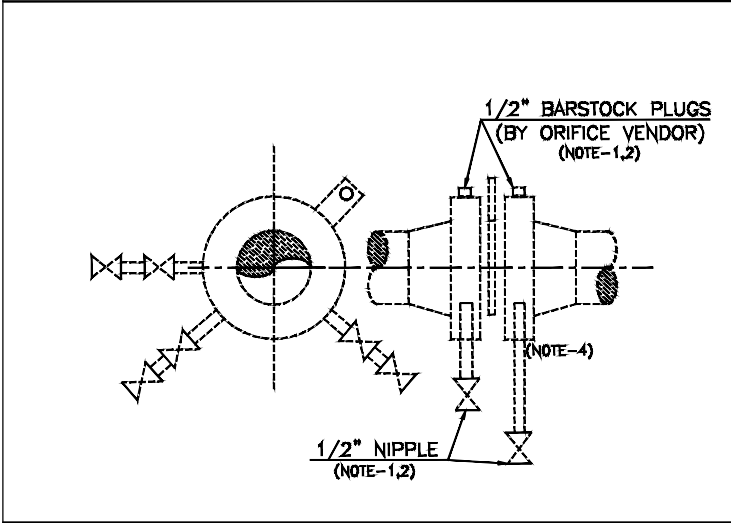
ORIFICE FLANGE ASSEMBLIES – THREE TAPPINGS
(FOR RATING UPTO ASME CLASS 600)



HORIZONTAL METER RUN
WHEREVER REQUIRED

GAS, HORIZONTAL METER RUN

ANY FLUID, VERTICAL METER RUN



LIQUID LINES ON PIPE RACK

STEAM / GAS LINES ON PIPE RACK

NOTES:

1. SEAL WELDING BY PIPING GROUP.
2. ORIFICE VENDOR SHALL PROVIDE 1/2" BAR STOCK PLUG FOR SPARE TAPPING.
3. ENTIRE INSTALLATION SHOWN IS BY PIPING / MECHANICAL CONTRACTOR.
4. PROCUREMENT BY INSTRUMENT GROUP
5. PROCUREMENT OF OTHER ITEMS NOT COVERED IN NOTE-2 & NOTE-4 BY PIPING.
6. IN CASE OF PRE-FABRICATED HOOKUP, NIPPLE & ISOLATION VALVE SHALL BE SUPPLIED BY PREFAB VENDOR.

0	15.01.19	ISSUED FOR TENDER	D.V	U.N	S.B
REV.NO.	DATE	SUBJECT OF REVISION	BY	CHECKED	APPROVED



LYONS ENGINEERING PVT. LTD.
NEW DELHI

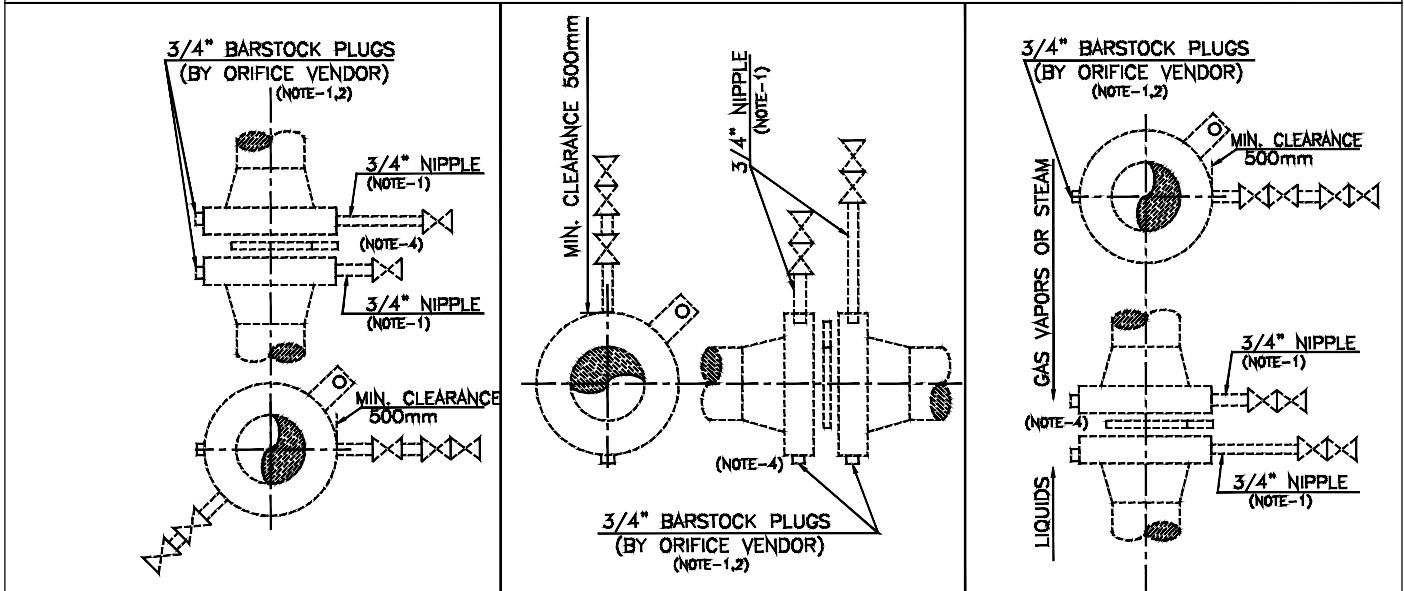
FLOW METER
INSTALLATION
SCOPE OF WORK

DRAWING NO.

GAIL-ENG-IN-DWG-TP-004

6 OF 8

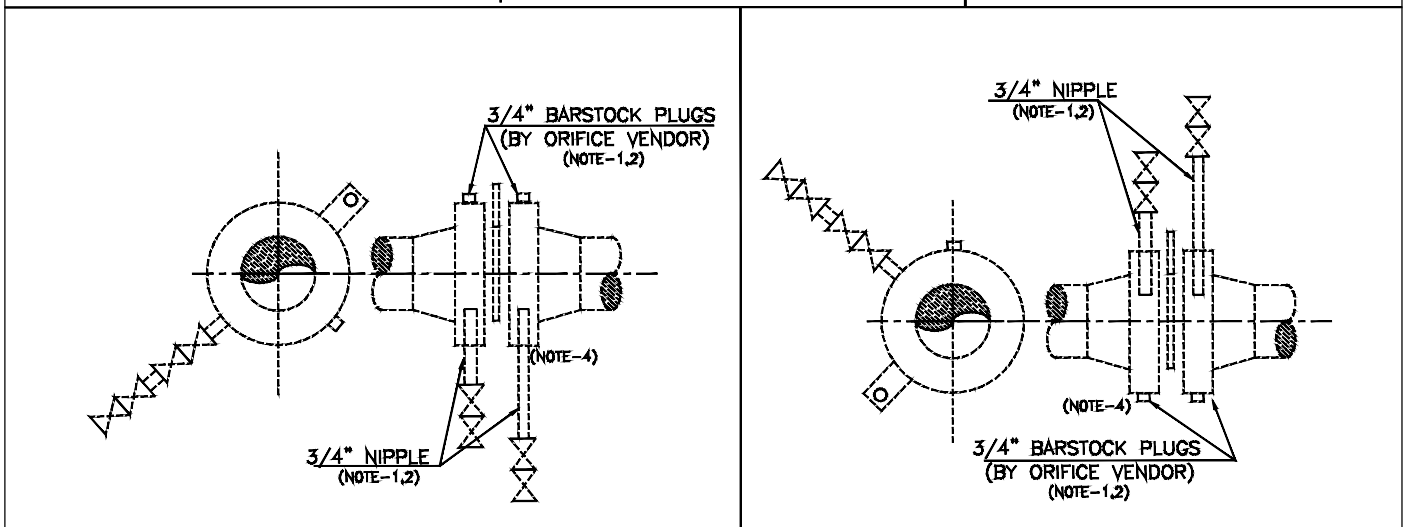
ORIFICE FLANGE ASSEMBLIES – SINGLE TAPPING
(FOR RATING ABOVE ASME CLASS 600)



HORIZONTAL METER RUN
WHEREVER REQUIRED

GAS, HORIZONTAL METER RUN

ANY FLUID, VERTICAL METER RUN



LIQUID LINES ON PIPE RACK

STEAM / GAS LINES ON PIPE RACK

NOTES:

1. SEAL WELDING BY PIPING GROUP.
2. ORIFICE VENDOR SHALL PROVIDE 1/2" BAR STOCK PLUG FOR SPARE TAPPING.
3. ENTIRE INSTALLATION SHOWN IS BY PIPING / MECHANICAL CONTRACTOR.
4. PROCUREMENT BY INSTRUMENT GROUP
5. PROCUREMENT OF OTHER ITEMS NOT COVERED IN NOTE-2 & NOTE-4 BY PIPING.
6. IN CASE OF PRE-FABRICATED HOOKUP, NIPPLE & ISOLATION VALVE SHALL BE SUPPLIED BY PREFAB VENDOR.

0	15.01.19	ISSUED FOR TENDER	D.V	U.N	S.B
REV.NO.	DATE	SUBJECT OF REVISION	BY	CHECKED	APPROVED

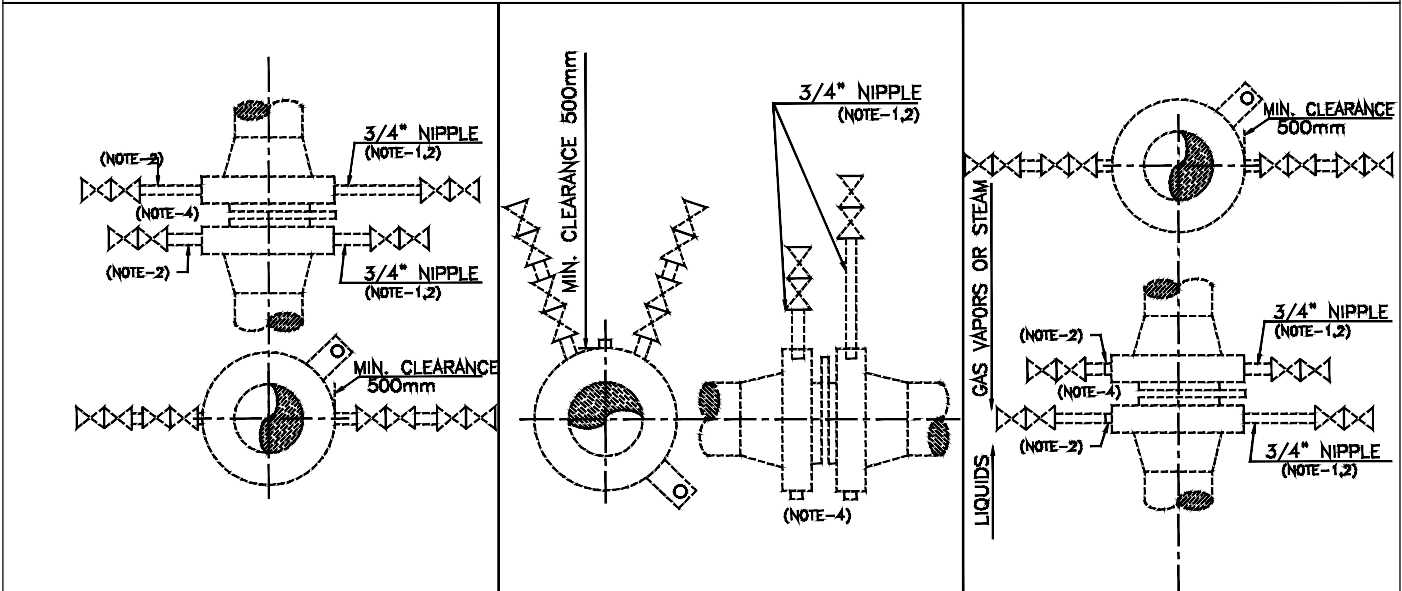


LYONS ENGINEERING PVT. LTD.
NEW DELHI

FLOW METER
INSTALLATION
SCOPE OF WORK

DRAWING NO.
GAIL-ENG-IN-DWG-TP-004
7 OF 8

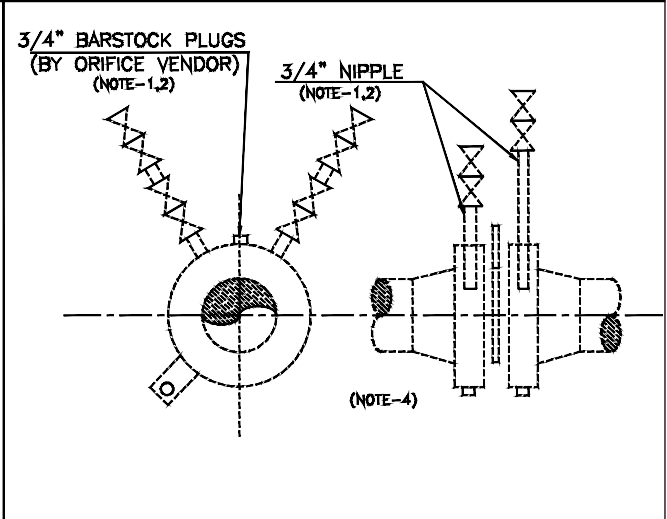
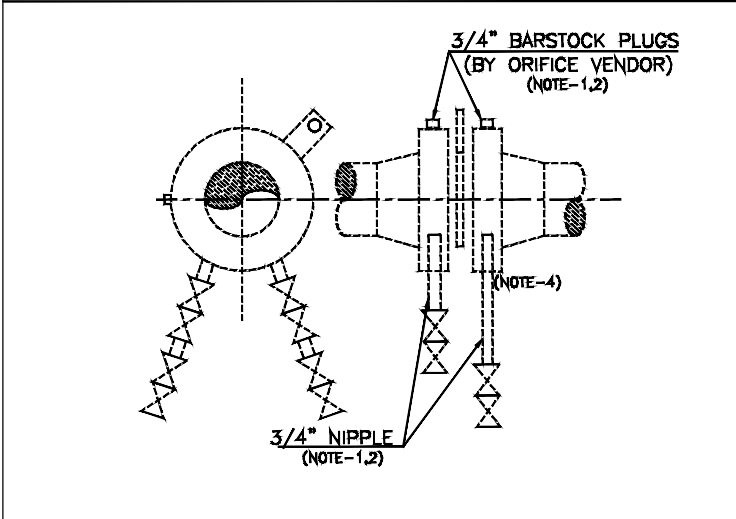
ORIFICE FLANGE ASSEMBLIES – TWO TAPPINGS
(FOR RATING ABOVE ASME CLASS 600)



HORIZONTAL METER RUN
WHEREVER REQUIRED

GAS, HORIZONTAL METER RUN

ANY FLUID, VERTICAL METER RUN



LIQUID LINES ON PIPE RACK

ANY FLUID, VERTICAL METER RUN

NOTES:

1. SEAL WELDING BY PIPING GROUP.
2. ORIFICE VENDOR SHALL PROVIDE 1/2" BAR STOCK PLUG FOR SPARE TAPPING.
3. ENTIRE INSTALLATION SHOWN IS BY PIPING / MECHANICAL CONTRACTOR.
4. PROCUREMENT BY INSTRUMENT GROUP
5. PROCUREMENT OF OTHER ITEMS NOT COVERED IN NOTE-2 & NOTE-4 BY PIPING.
6. IN CASE OF PRE-FABRICATED HOOKUP, NIPPLE & ISOLATION VALVE SHALL BE SUPPLIED BY PREFAB VENDOR.

0	15.01.19	ISSUED FOR TENDER	D.V	U.N	S.B
REV.NO.	DATE	SUBJECT OF REVISION	BY	CHECKED	APPROVED

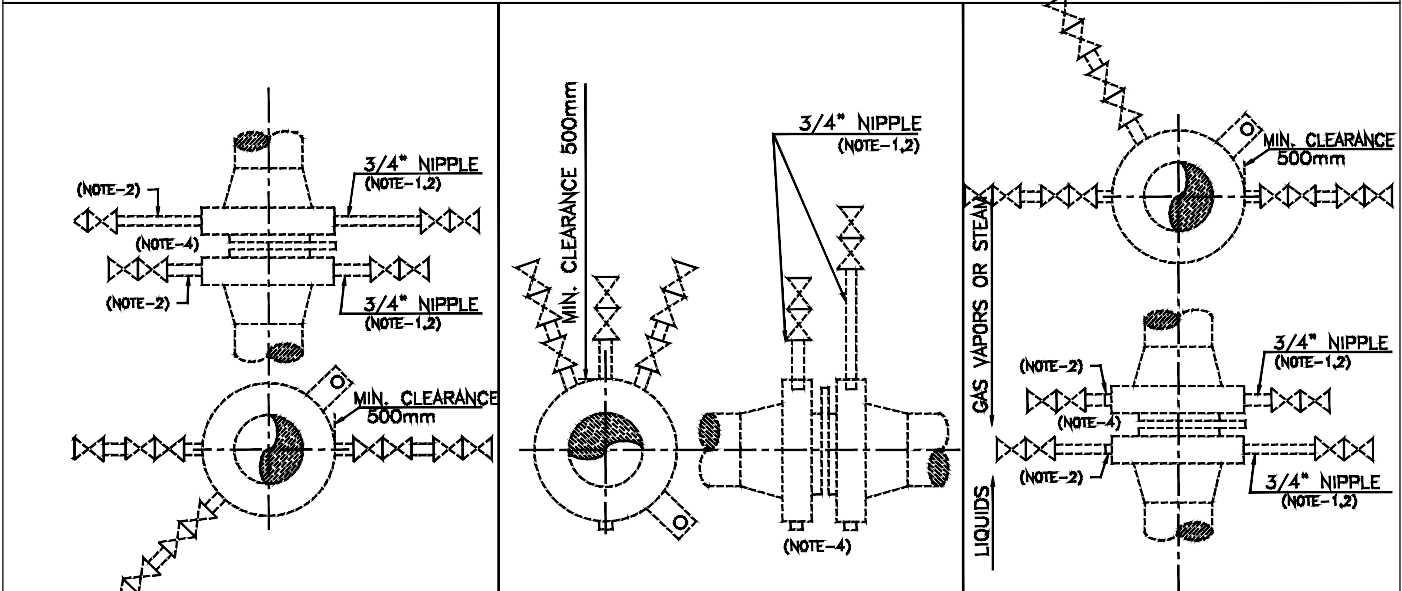


LYONS ENGINEERING PVT. LTD.
NEW DELHI

FLOW METER
INSTALLATION
SCOPE OF WORK

DRAWING NO.
GAIL-ENG-IN-DWG-TP-004
8 OF 8

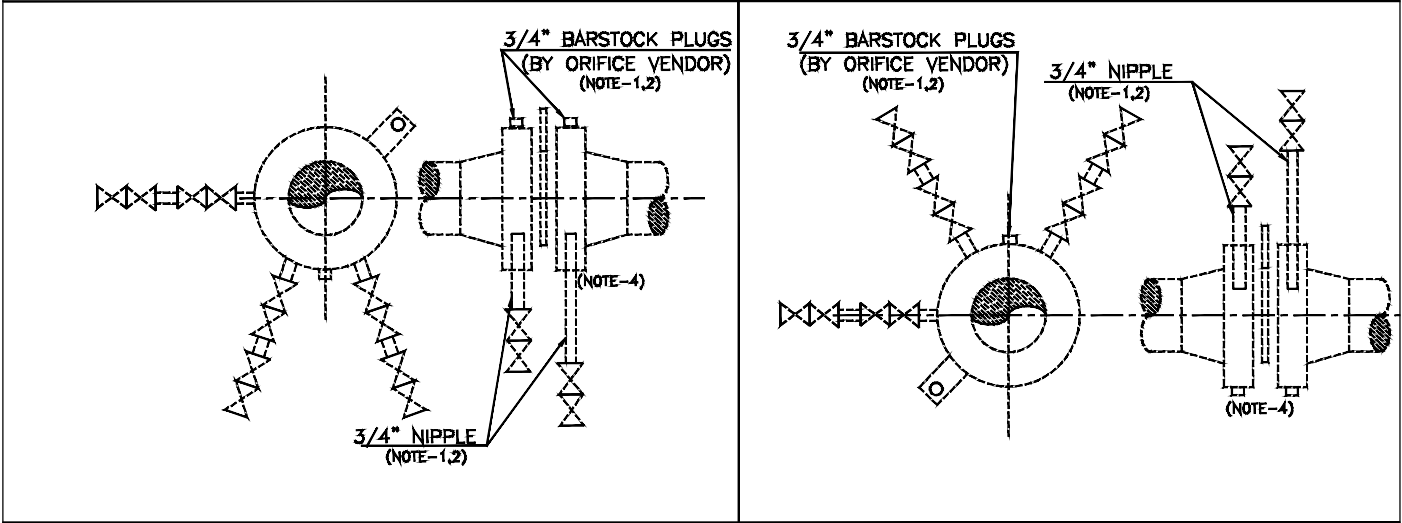
ORIFICE FLANGE ASSEMBLIES – THREE TAPPINGS
(FOR RATING ABOVE ASME CLASS 600)



HORIZONTAL METER RUN
WHEREVER REQUIRED

GAS, HORIZONTAL METER RUN

ANY FLUID, VERTICAL METER RUN



LIQUID LINES ON PIPE RACK

ANY FLUID, VERTICAL METER RUN

- NOTES:**
1. SEAL WELDING BY PIPING GROUP.
 2. ORIFICE VENDOR SHALL PROVIDE 1/2" BAR STOCK PLUG FOR SPARE TAPPING.
 3. ENTIRE INSTALLATION SHOWN IS BY PIPING / MECHANICAL CONTRACTOR.
 4. PROCUREMENT BY INSTRUMENT GROUP
 5. PROCUREMENT OF OTHER ITEMS NOT COVERED IN NOTE-2 & NOTE-4 BY PIPING.
 6. IN CASE OF PRE-FABRICATED HOOKUP, NIPPLE & ISOLATION VALVE SHALL BE SUPPLIED BY PREFAB VENDOR.

0	15.01.19	ISSUED FOR TENDER	D.V	U.N	S.B
REV.NO.	DATE	SUBJECT OF REVISION	BY	CHECKED	APPROVED



LYONS ENGINEERING PVT. LTD.
NEW DELHI

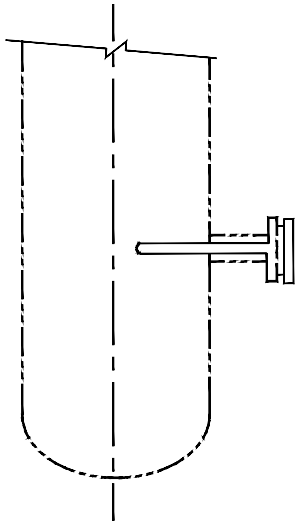
**THERMOWELL
INSTALLATION
SCOPE OF WORK**

DRAWING NO.

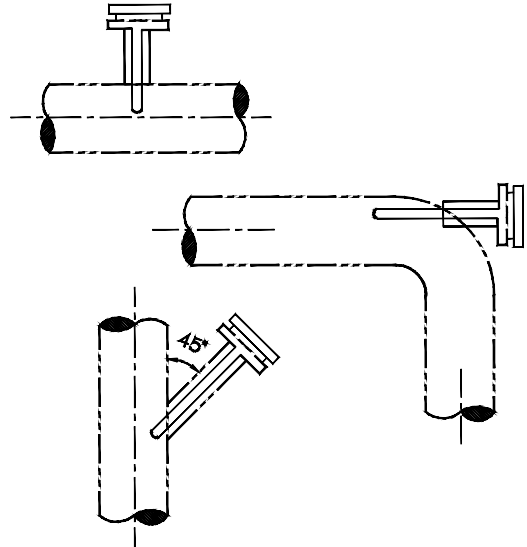
GAIL-ENG-IN-DWG-TP-005

1 OF 1

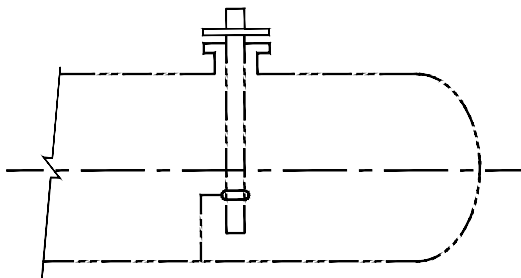
(T-1) THERMOWELL ON VESSEL



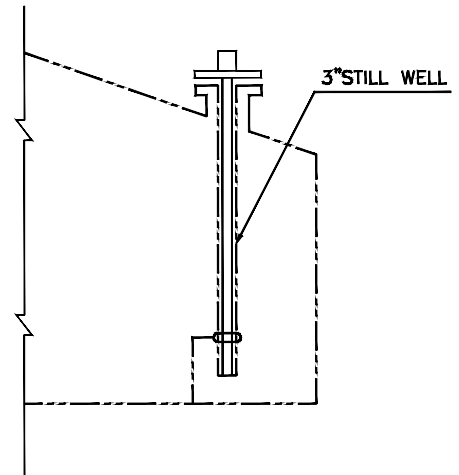
(T-2) THERMOWELL ON PIPE



(T-3) THERMOWELL ON BURRIED VESSEL



(T-4) THERMOWELL ON STORAGE TANK



NOTES:

1. REFER STANDARD NO. 7-52-0001 & 7-52-0002 FOR CONNECTION SIZE.

_____ INSTRUMENT GROUP
 - - - - - PIPING GROUP
 - - - - - VESSEL GROUP

0	15.01.19	ISSUED FOR TENDER	D.V	U.N	S.B
REV.NO.	DATE	SUBJECT OF REVISION	BY	CHECKED	APPROVED



LYONS ENGINEERING PVT. LTD.
NEW DELHI

INSTRUMENT CONNECTION ON VESSEL,
STANDPIPES AND TANKS

DRAWING NO.

GAIL-ENG-IN-DWG-TP-006

1 OF 1

S.NO.	TYPE OF INSTRUMENTS	HEATER/DUCT/LINE CONNECTION	FIRST BLOCK VALVE	INSTRUMENT CONNECTION
1.	FLOW ELEMENT - AVG. PITOT TUBE (F1)	3" FLANGED	-	3" FLANGED (NOTE-4)
2.	FLOW ELEMENT - VENTURI TUBE (F2)	1/2" FLANGED	1/2" FLANGED	1/2" NPT (F)
3.	FLOW ELEMENT - THERMAL MASS (F3)	1 1/2" FLANGED	-	1 1/2" FLANGED
4.	PRESSURE INSTRUMENT (P1)	1 1/2" FLANGED	1 1/2" FLANGED	1/2" NPT (F)
5.	PRESSURE INSTRUMENT (COIL) (P2/P4)	1 1/2" FLANGED	1 1/2" FLANGED	1/2" NPT (F)
6.	DRAFT GAUGE (P3)	1 1/2" FLANGED	-	1/2" NPT (F)
7.	TEMPERATURE INSTRUMENT (T1)	1 1/2" FLANGED	-	1 1/2" FLANGED
8.	TEMPERATURE INSTRUMENT (COIL) (T2)	1 1/2" FLANGED	-	1 1/2" FLANGED
9.	SKIN THERMOCOUPLE (T3)	1" PIPE	-	-
10.	FLUE GAS ANALYSER (SO _x , NO _x , O ₂ , HC,CO) (A1/A2/A4)	4" FLANGED	-	4" FLANGED
11.	FLUE GAS ANALYSER (SPM) (A3)	6" FLANGED	-	6" FLANGED

NOTES:

1. PRESSURE RATING OF FLANGE CONNECTION SHALL BE 150# FOR INSTRUMENTS MOUNTED DIRECTLY ON HEATER EXCEPT TEMPERATURE INSTRUMENTS FOR WHICH FLANGE RATING SHALL BE 300#.
2. PRESSURE RATING OF FLANGE CONNECTION ON TUBE SIDE SHALL BE AS PER PIPING CLASS.
3. FOR IDENTIFICATION (F1), (P1) ETC. REFER TO STANDARDS SD-IC-001, SD-IC-002, SD-IC-013, SD-IC-014.
3. TRANSMITTER CONNECTION SHALL BE 1/2" NPT(F).

0	15.01.19	ISSUED FOR TENDER	D.V		U.N		S.B	
REV.NO.	DATE	SUBJECT OF REVISION	BY	CHECKED	APPROVED			



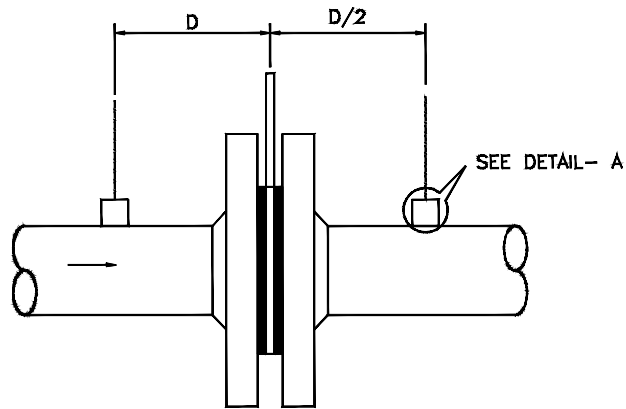
LYONS ENGINEERING PVT. LTD.
NEW DELHI

METER RUNS-PIPING
CONNECTIONS
D - D/2 TAPS

DRAWING NO.

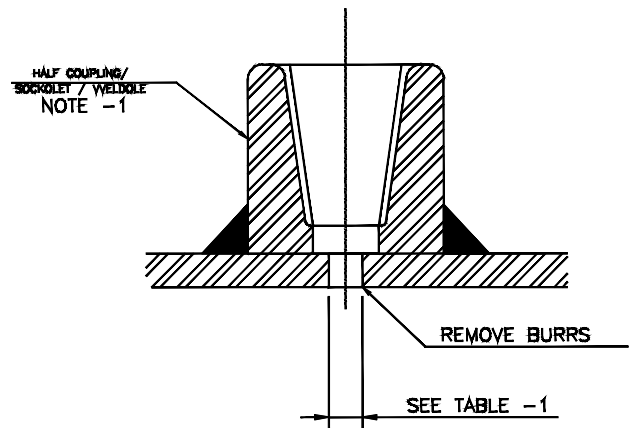
GAIL-ENG-IN-DWG-TP-007

1 OF 1



D-D/2 TAPS

TABLE -1	
NOMINAL PIPE DIAMETER & RATING	MAX. DIAMETER PRESSURE TAPS
400mm (16") & ABOVE 150# / 300#	13mm DRILL
500mm (20") & ABOVE 600#	13mm DRILL
350mm (14") & ABOVE 900#	13mm DRILL
600mm (24") & ABOVE 1500# & ABOVE	13mm DRILL



LEGEND :-

D = PIPE I. D (INTERNAL DIAMETER)

NOTES:

- WELD 15mm (1/2") HALF COUPLING / SOCKOLET / WELDOLET TO LINE, IN ACCORDANCE WITH THE APPLICABLE PIPING SPECIFICATION, FOR RATING UPTO 600# AND 20mm (3/4") SOCKOLET / WELDOLET TO LINE, IN ACCORDANCE WITH THE APPLICABLE PIPING SPECIFICATIONS, FOR RATING ABOVE ASME CLASS 600.
- DIMENSIONS, ARE FROM FACE OF PLATE TO CENTER LINE OF TAP DRILLED HOLE, AND SHALL INCLUDE THE THICKNESS OF THE GASKET.

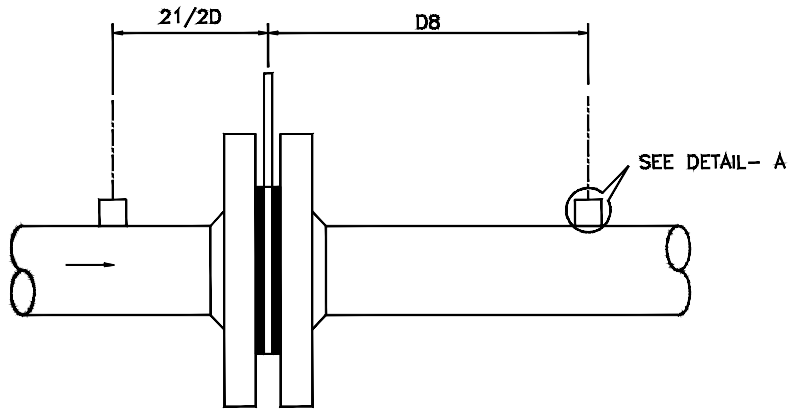
0	15.01.19	ISSUED FOR TENDER	D.V	U.N	S.B		
REV.NO.	DATE	SUBJECT OF REVISION	BY	CHECKED	APPROVED		



LYONS ENGINEERING PVT. LTD.
NEW DELHI

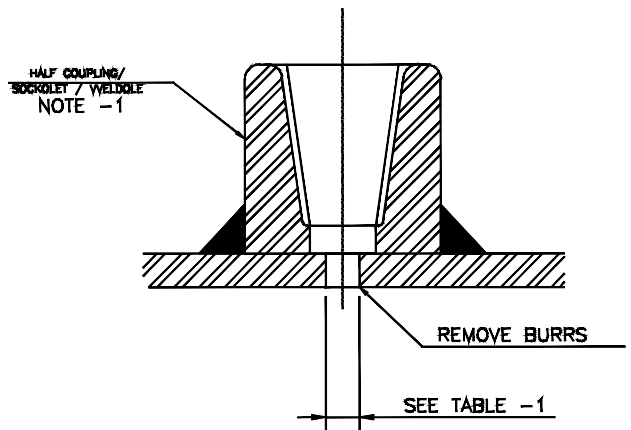
METER RUNS-PIPING
CONNECTIONS
PIPE (2 1/2 D - 8 D) TAPS

DRAWING NO.
GAIL-ENG-IN-DWG-TP-008
1 OF 1



PIPE TAPS

TABLE -1	
NOMINAL PIPE DIAMETER	MAX. DIAMETER PRESSURE TAPS
50mm (2")	6mm DRILL
80mm (3")	10mm DRILL
100mm (4") AND ABOVE	13mm DRILL



LEGEND :-

D = PIPE I. D (INTERNAL DIAMETER)

NOTES:

- WELD 15mm (1/2") HALF COUPLING / SOCKOLET / WELDOLET TO LINE, IN ACCORDANCE WITH THE APPLICABLE PIPING SPECIFICATION, FOR RATING UPTO 600# AND 20mm (3/4") SOCKOLET / WELDOLET TO LINE, IN ACCORDANCE WITH THE APPLICABLE PIPING SPECIFICATIONS, FOR RATING ABOVE ASME CLASS 600.
- DIMENSIONS, ARE FROM FACE OF PLATE TO CENTER LINE OF TAP DRILLED HOLE, AND SHALL INCLUDE THE THICKNESS OF THE GASKET.

0	15.01.19	ISSUED FOR TENDER	D.V	U.N	S.B
REV.NO.	DATE	SUBJECT OF REVISION	BY	CHECKED	APPROVED



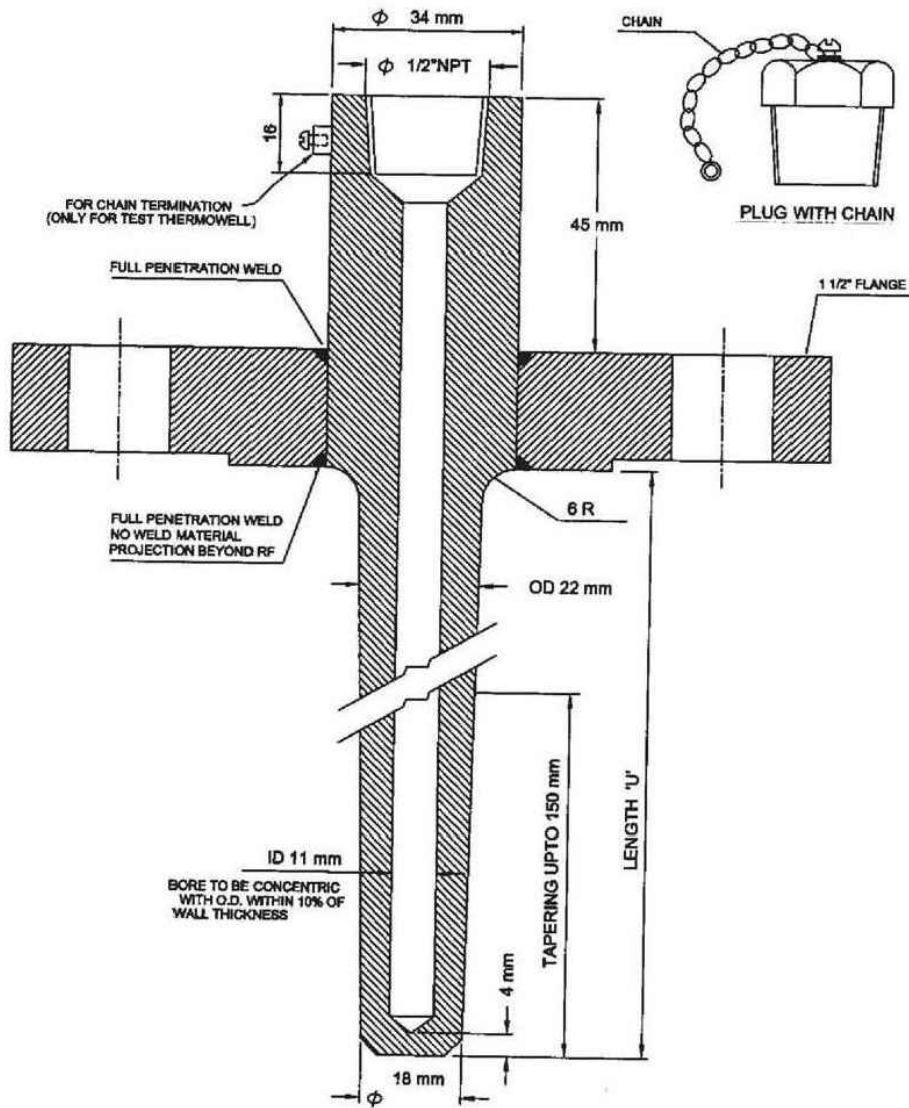
LYONS ENGINEERING PVT. LTD.
NEW DELHI

THERMOWELL

DRAWING NO.

GAIL-ENG-IN-DWG-TP-009

1 OF 3



NOTES:

1. THIS STANDARD IS APPLICABLE FOR ;
 - a).TEMPERATURE GAUGES, BEADED TEMPERATURE ELEMENTS AND DUPLEX TEMPERATURE ELEMENTS.
 - b).THERMOWELL UPTO 1500 CLASS AS PER ASME OR EQUIVALENT.
2. TYPE OF FLANGE SHALL BE RTJ FOR RATING (AS PER ASME CLASS) > 600.
3. DP TEST SHALL BE CARRIED OUT FOR ALL WELD JOINTS.
4. CHAIN AND PLUG SHALL BE APPLICABLE ONLY FOR TEST THERMOWELLS.

0	15.01.19	ISSUED FOR TENDER	D.V	U.N	S.B		
REV.NO.	DATE	SUBJECT OF REVISION	BY	CHECKED	APPROVED		



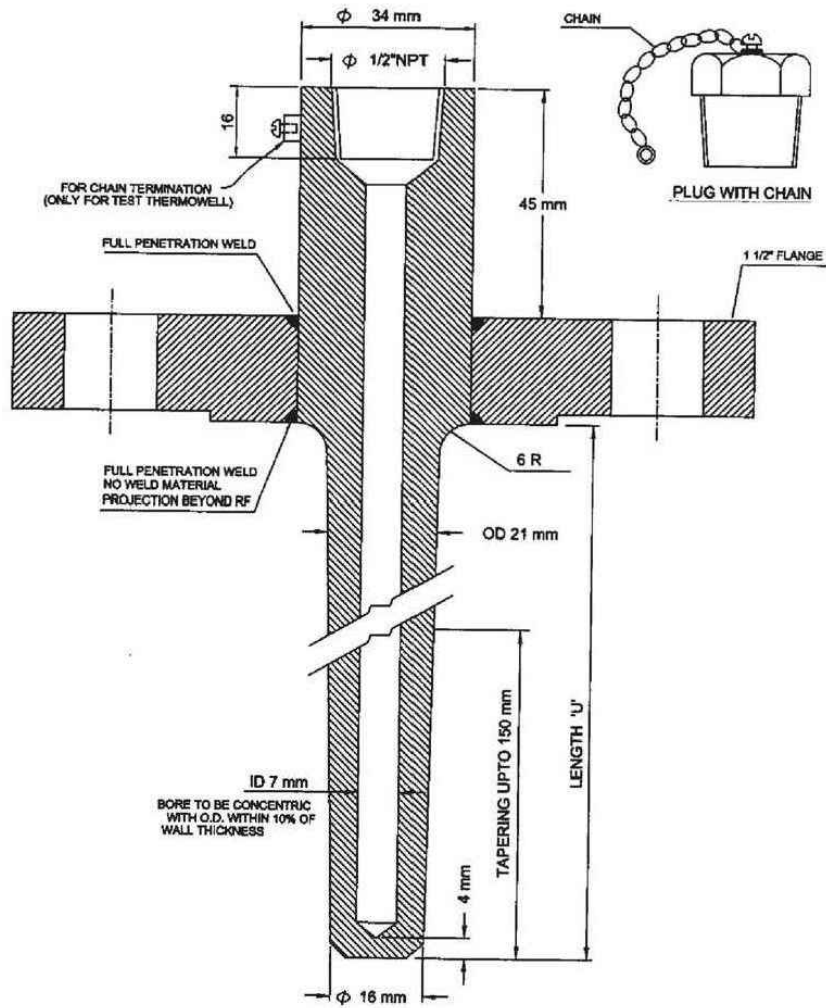
LYONS ENGINEERING PVT. LTD.
NEW DELHI

THERMOWELL

DRAWING NO.

GAIL-ENG-IN-DWG-TP-009

2 OF 3



NOTES:

1. THIS STANDARD IS APPLICABLE FOR ;
 - a).TEMPERATURE GAUGES, BEADED TEMPERATURE ELEMENTS AND DUPLEX TEMPERATURE ELEMENTS.
 - b).THERMOWELL UPTO 1500 CLASS AS PER ASME OR EQUIVALENT.
2. TYPE OF FLANGE SHALL BE RTJ FOR RATING (AS PER ASME CLASS) > 600.
3. DP TEST SHALL BE CARRIED OUT FOR ALL WELD JOINTS.
4. CHAIN AND PLUG SHALL BE APPLICABLE ONLY FOR TEST THERMOWELLS.

0	15.01.19	ISSUED FOR TENDER	D.V	U.N	S.B		
REV.NO.	DATE	SUBJECT OF REVISION	BY	CHECKED	APPROVED		



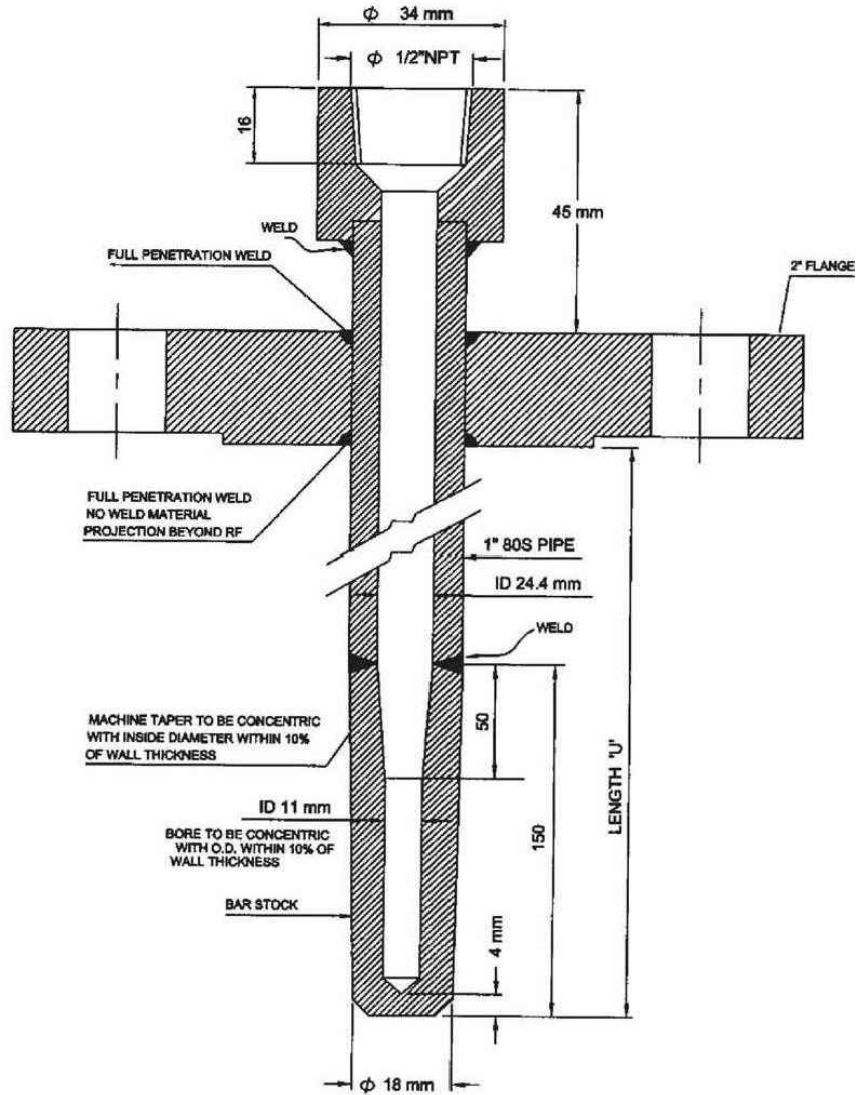
LYONS ENGINEERING PVT. LTD.
NEW DELHI

BUILT-UP THERMOWELL

DRAWING NO.

GAIL-ENG-IN-DWG-TP-009

3 OF 3



NOTES:

1. CHAIN AND PLUG SHALL BE APPLICABLE ONLY FOR TEST THERMOWELLS.
2. TYPE OF FLANGE SHALL BE RTJ FOR RATING (AS PER ASME CLASS) > 600.

0	15.01.19	ISSUED FOR TENDER	D.V		U.N		S.B	
REV.NO.	DATE	SUBJECT OF REVISION	BY	CHECKED	APPROVED			



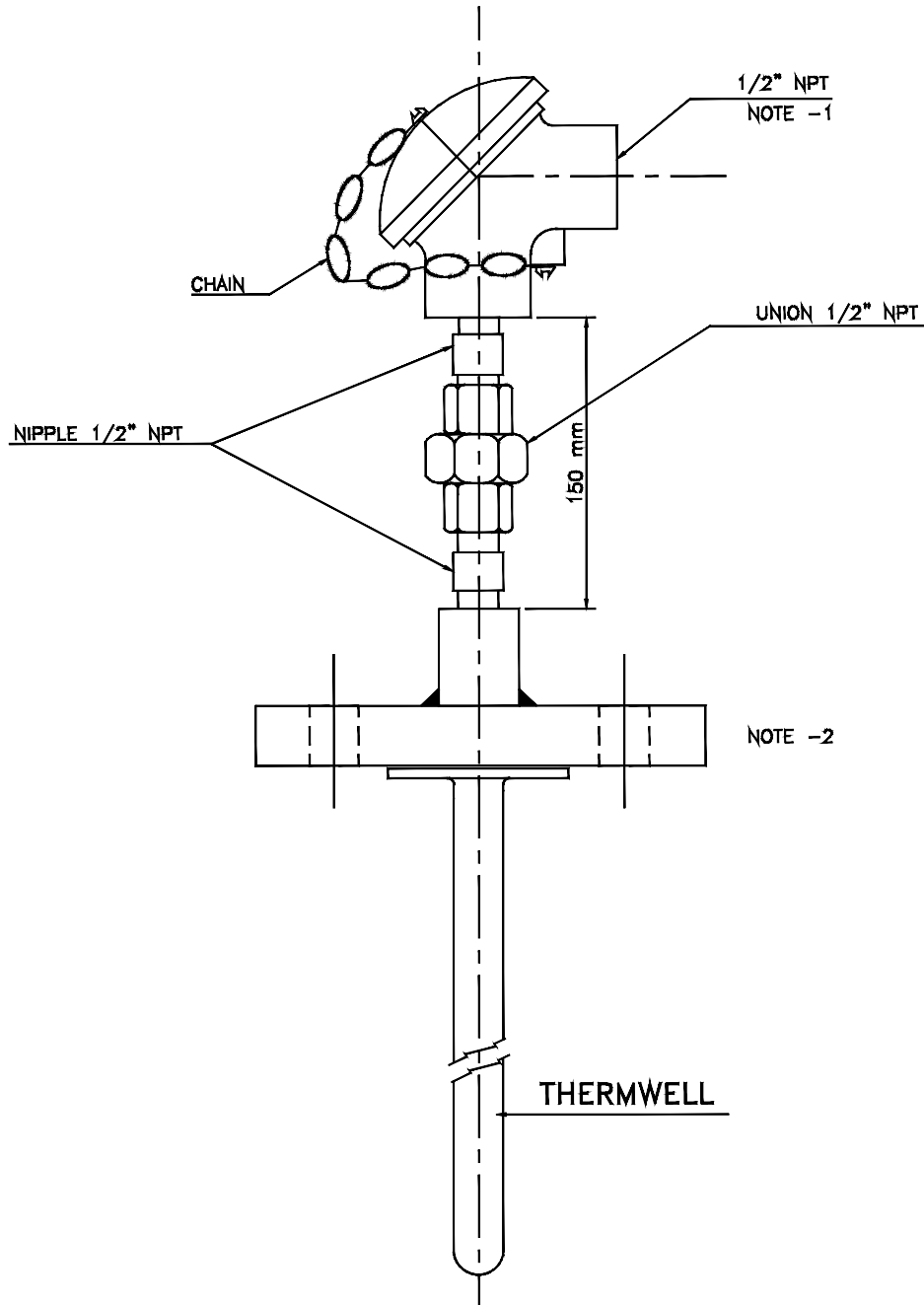
LYONS ENGINEERING PVT. LTD.
NEW DELHI

**THERMOCOUPLE / RTD
ASSEMBLY
WITH THERMOWELL**

DRAWING NO.

GAIL-ENG-IN-DWG-TP-010

1 OF 1



NOTES:

1. IN THE CASE OF DUPLEX THERMOCOUPLE/RTD, TWO INDEPENDENT CABLE ENTRIES SHALL BE PROVIDED.
2. FLANGE TYPE, SIZE AND RATING SHALL BE AS PER DATA SHEET.

0	15.01.19	ISSUED FOR TENDER	D.V	U.N	S.B		
REV.NO.	DATE	SUBJECT OF REVISION	BY	CHECKED	APPROVED		



LYONS ENGINEERING PVT. LTD.
NEW DELHI

SYMBOL FOR INSTRUMENT LOCATION DRAWINGS

DRAWING NO.

GAIL-ENG-IN-DWG-TP-011

1 OF 4

SYMBOL	DESCRIPTION	REMARKS
	TRANSMITTER (FLOW, PRESSURE, LEVEL AND TEMPERATURE)	
	LEVEL TRANSMITTER (DISPLACER / GUIDED WAVE RADAR)	
	ANALYSER TRANSMITTER (IN CABINET)	
	TRANSMITTER (FILLED SYSTEM)	
	LOCAL INDICATOR (FI, LI, DPI)	
	LOCAL CONTROLLER	
	THERMOCOUPLE (SINGLE ELEMENT)	
	THERMOCOUPLE (DUPLEX ELEMENT)	
	THERMOCOUPLE (TRIPLEX ELEMENT)	
	RESISTANCE TEMPERATURE DETECTOR (SINGLE ELEMENT)	
	RESISTANCE TEMPERATURE DETECTOR (DUPLEX ELEMENT)	
	SWITCH	
	SWITCH (FILLED SYSTEM)	
	PUSH BUTTON (HAND SWITCH)	
	LEVEL GAUGE (TRANSPARENT TYPE)	

0	15.01.19	ISSUED FOR TENDER	D.V		U.N		S.B	
REV.NO.	DATE	SUBJECT OF REVISION	BY	CHECKED	APPROVED			



LYONS ENGINEERING PVT. LTD.
NEW DELHI

SYMBOL FOR INSTRUMENT LOCATION DRAWINGS

DRAWING NO.

GAIL-ENG-IN-DWG-TP-011

2 OF 4

SYMBOL	DESCRIPTION	REMARKS
	HYDROCARBON GAS DETECTOR	
	HYDROGEN SULPHIDE DETECTOR	
	HYDROGEN DETECTOR	
	BEACON (* APPLICATION LIKE LEL / H2S / H2)	
	HOOTER	
	CCTV CAMERA	
	CONTROL VALVE (WITHOUT POSITIONER)	
	CONTROL VALVE (WITH SMART / FF POSITIONER)	
	CONTROL VALVE (WITH I/P CONVERTER)	
	SOLENOID VALVE (TWO WAY)	
	SOLENOID VALVE (THREE WAY)	
	SOLENOID VALVE (FOUR WAY)	
	CONTROL VALVE (WITH POS. / WITHOUT POS.)	[WITH LIMIT SWITCH LOW AND HIGH]

0	15.01.19	ISSUED FOR TENDER	D.V	U.N	S.B		
REV.NO.	DATE	SUBJECT OF REVISION	BY	CHECKED	APPROVED		



LYONS ENGINEERING PVT. LTD.
NEW DELHI

SYMBOL FOR INSTRUMENT LOCATION DRAWINGS

DRAWING NO.

GAIL-ENG-IN-DWG-TP-011

3 OF 4

SYMBOL	DESCRIPTION	REMARKS
	ORIFICE (ON HORIZONTAL LINE)	
	ORIFICE (ON VERTICAL LINE)	
	TRANSMITTER (ROTAMETER)	
	TRANSMITTER (MAGNETIC FLOW METER)	
	VENTURI	
	AVERAGING PITOT TUBE	
	MASS FLOW METER	
	ULTRASONIC FLOW METER	
	FLOW NOZZLE	
	VORTEX FLOW METER	

0	15.01.19	ISSUED FOR TENDER	D.V	U.N	S.B
REV.NO.	DATE	SUBJECT OF REVISION	BY	CHECKED	APPROVED



LYONS ENGINEERING PVT. LTD.
NEW DELHI

SYMBOL FOR INSTRUMENT LOCATION DRAWINGS

DRAWING NO.

GAIL-ENG-IN-DWG-TP-011

4 OF 4

SYMBOL	DESCRIPTION	REMARKS
	POSITIVE DISPLACEMENT METER	
	TURBINE METER	
	ANALYSER TAPPING WITH ANALYSER IN SHELTER	
	NUMBERING OF AN INSTRUMENT ALONG WITH JB NO.	
	INSTRUMENT WITH DIRECT RUN OF CABLE TO CONTROL ROOM. (WITHOUT INTERMEDIATE JUNCTION BOX)	
	JUNCTION BOX	
	INSTRUMENT DUCT	
	INSTRUMENT PERFORATED TRAY	
	INSTRUMENT LADDER TRAY	
	INSTRUMENT AIR HEADER WITH AIR SUPPLY TAP-OFF NO.	
	INSTRUMENT AIR SUPPLY DISTRIBUTION WITH MANIFOLD	

0	15.01.19	ISSUED FOR TENDER	D.V	U.N	S.B
REV.NO.	DATE	SUBJECT OF REVISION	BY	CHECKED	APPROVED



LYONS ENGINEERING PVT. LTD.
NEW DELHI

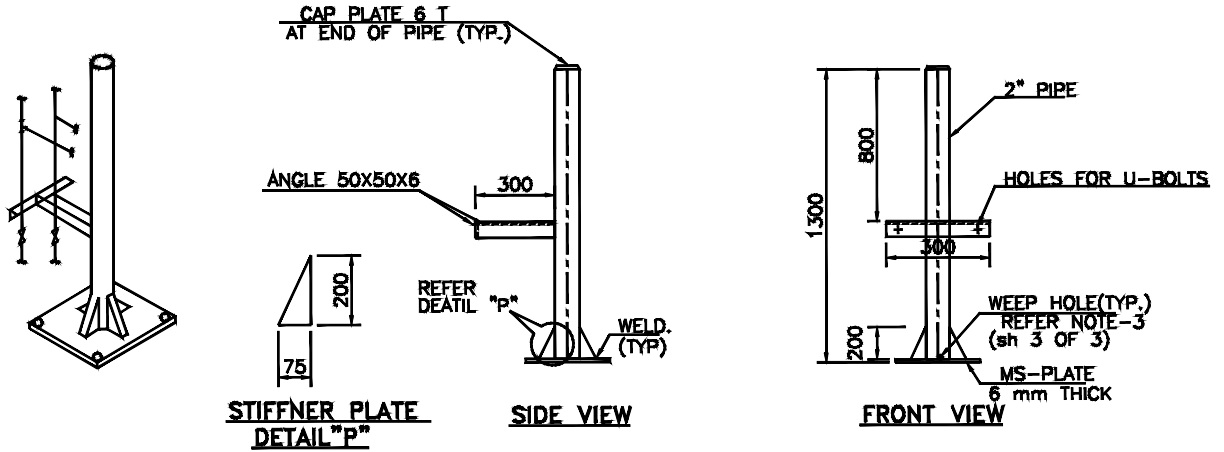
**INSTRUMENT SUPPORT
SINGLE INSTRUMENT**

DRAWING NO.

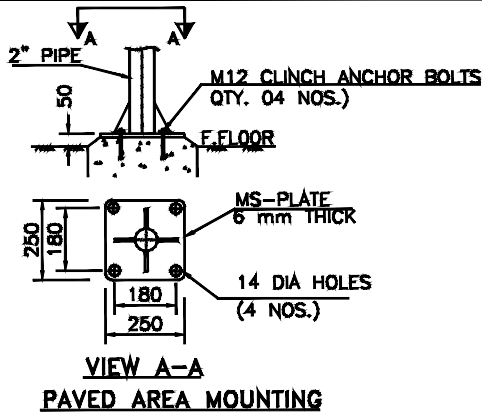
GAIL-ENG-IN-DWG-TP-012

1 OF 3

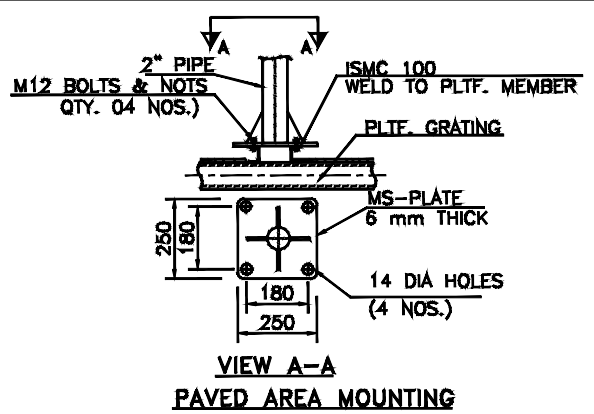
TYPE 11 SINGLE INSTRUMENT SUPPORT - GENERAL ARRANGEMENT



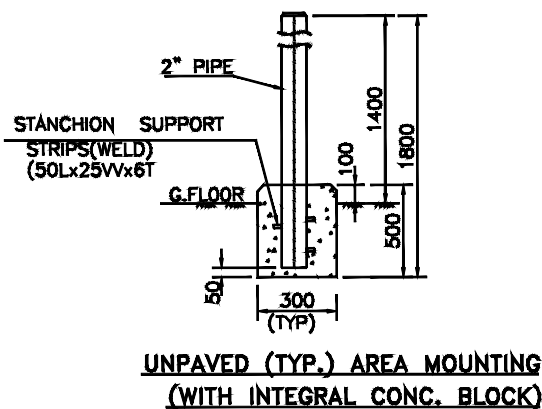
TYPE 11-1



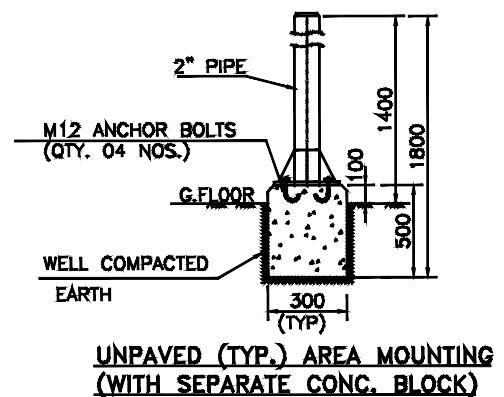
TYPE 11-2



TYPE 11-3



TYPE 11-4



0	15.01.19	ISSUED FOR TENDER	D.V	U.N	S.B
REV.NO.	DATE	SUBJECT OF REVISION	BY	CHECKED	APPROVED



LYONS ENGINEERING PVT. LTD.
NEW DELHI

**INSTRUMENT SUPPORT
SINGLE INSTRUMENT**

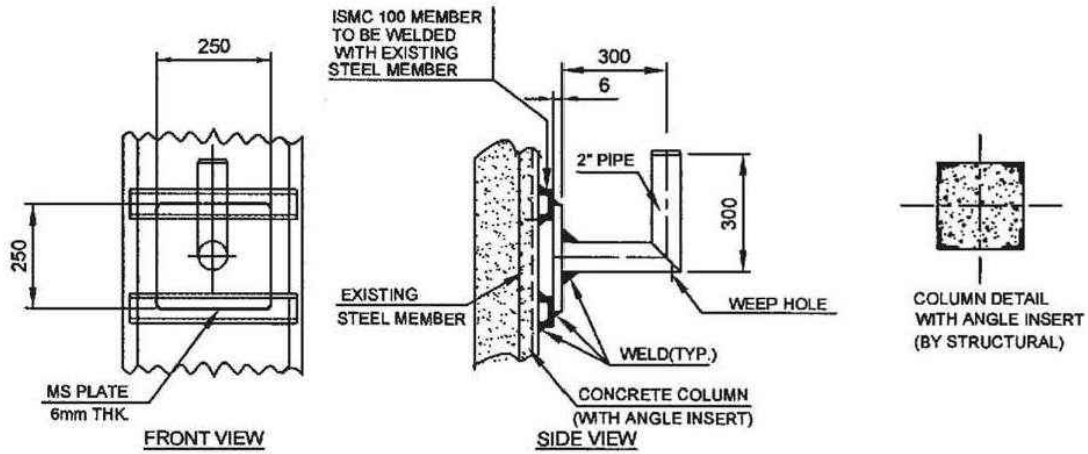
DRAWING NO.

GAIL-ENG-IN-DWG-TP-012

2 OF 3

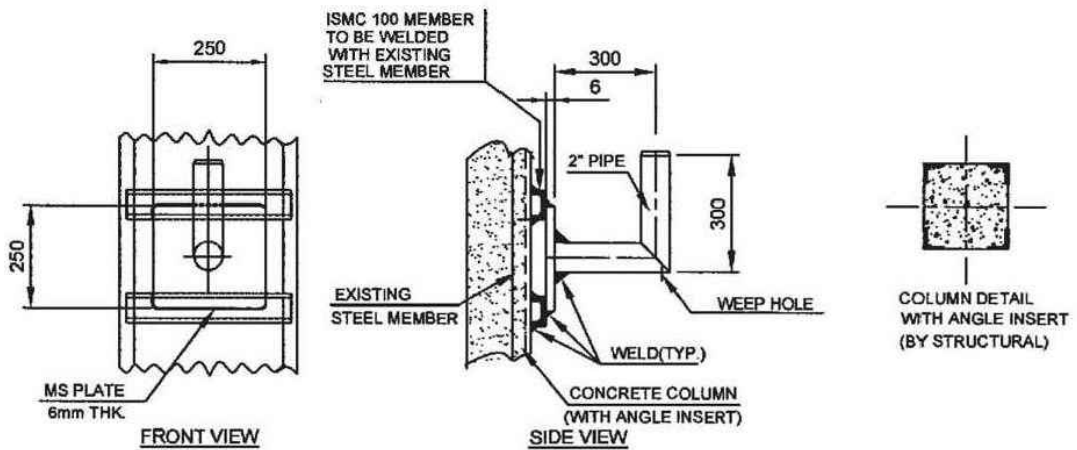
TYPE 12

CONCRETE COLUMN MOUNTING



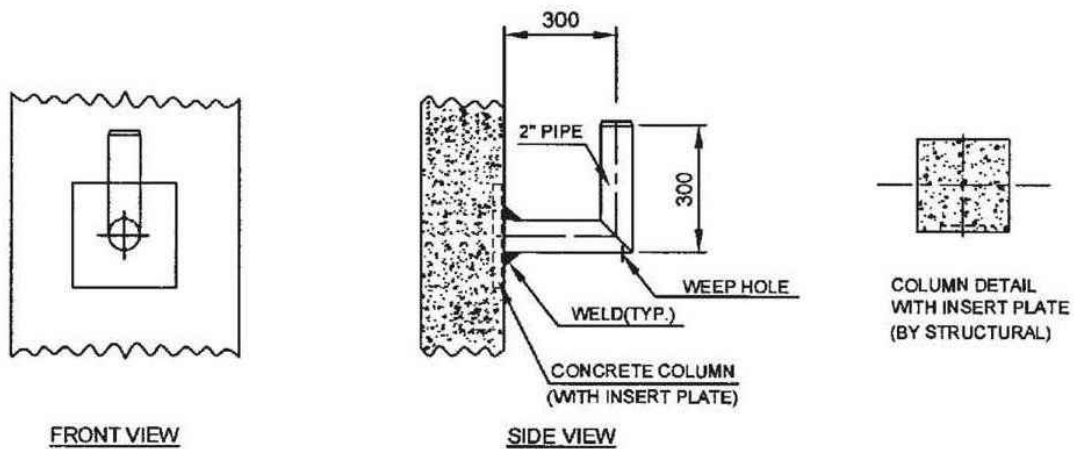
TYPE 13

CONCRETE COLUMN (WITH ANGLE INSERT) MOUNTING



TYPE-14

CONCRETE COLUMN (WITH INSERT PLATE) MOUNTING



0	15.01.19	ISSUED FOR TENDER	D.V	U.N	S.B			
REV.NO.	DATE	SUBJECT OF REVISION	BY	CHECKED	APPROVED			



LYONS ENGINEERING PVT. LTD.
NEW DELHI

**INSTRUMENT SUPPORT
SINGLE INSTRUMENT**

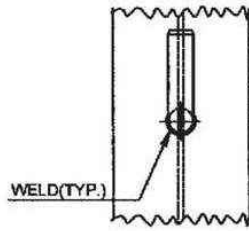
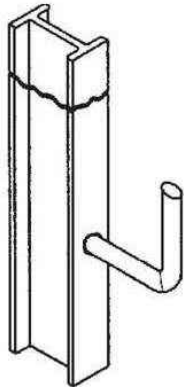
DRAWING NO.

GAIL-ENG-IN-DWG-TP-012

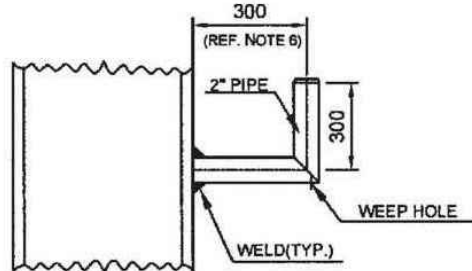
3 OF 3

TYPE 15

STEEL COLUMN MOUNTING (FLANGE FACE)



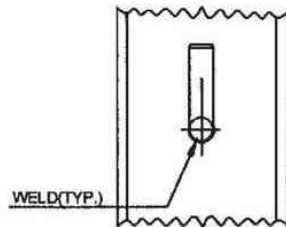
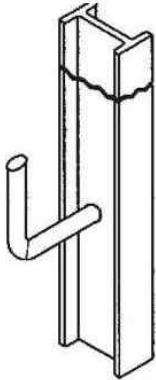
SIDE VIEW



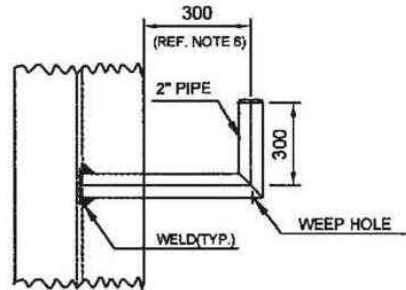
FRONT VIEW

TYPE 16

STEEL COLUMN MOUNTING (WEB FACE)



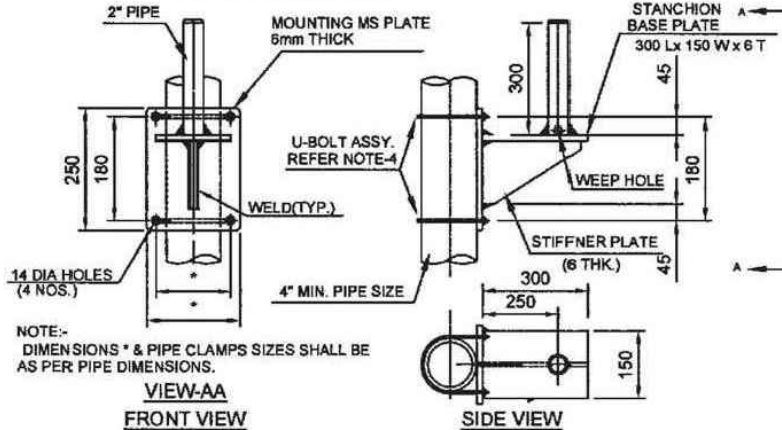
SIDE VIEW



FRONT VIEW

TYPE 17 PIPE BRACKET MOUNTING

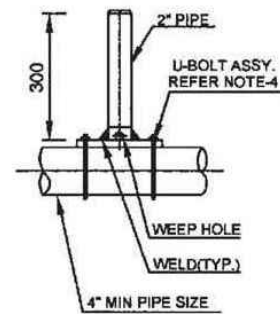
TYPE 17.1 (VERTICAL PIPE)



VIEW-AA
FRONT VIEW

SIDE VIEW

TYPE 17.2 (HORIZONTAL PIPE)



(HORIZONTAL PIPE)

NOTES:

1. ALL DIMENSIONS ARE IN M.M. UNLESS OTHERWISE SPECIFIED.
2. PIPE MATERIAL SHALL BE IS:1239 HEAVY GRADE AS A MINIMUM.
3. 6 mm DIA WEEP HOLE SHALL BE PROVIDED AT LOW POINT.
4. U-BOLT ASSEMBLY SHALL BE OF MINIMUM M12 SIZE WITH NUTS AND SPRING WASHERS.
5. ALL WELD SHALL BE 3mm FILLET WELD FULL STRENGTH
6. ADD 50mm WHERE-EVER FIRE INSULATION IS PROVIDED.
7. BOLT SHALL BE TURNED FROM M.S. ROUNDS CONFIRMING TO IS : 432 GRADE 1.
8. NUTS AND WASHERS SHALL CONFIRM TO IS : 1363 AND IS : 3138.

0	15.01.19	ISSUED FOR TENDER	D.V	U.N	S.B
REV.NO.	DATE	SUBJECT OF REVISION	BY	CHECKED	APPROVED



LYONS ENGINEERING PVT. LTD.
NEW DELHI

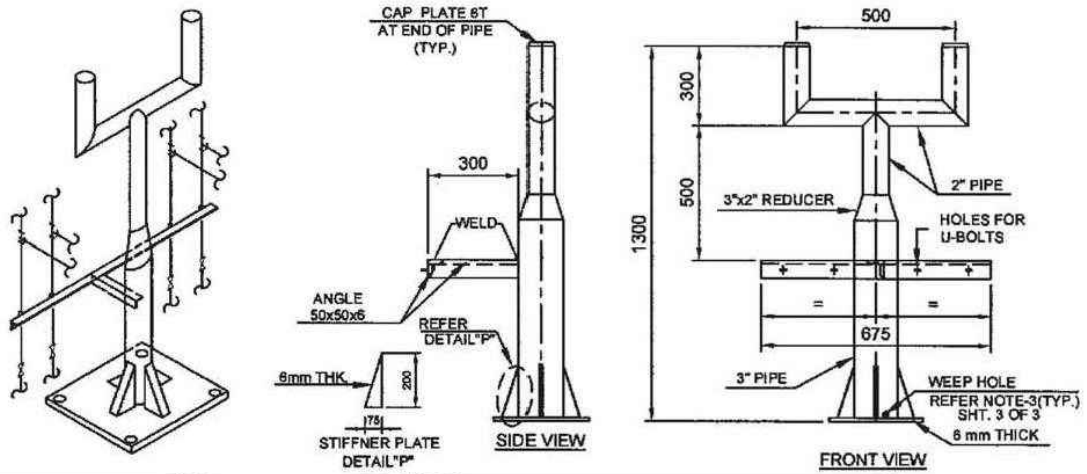
**INSTRUMENT SUPPORT
TWO INSTRUMENTS**

DRAWING NO.

GAIL-ENG-IN-DWG-TP-013

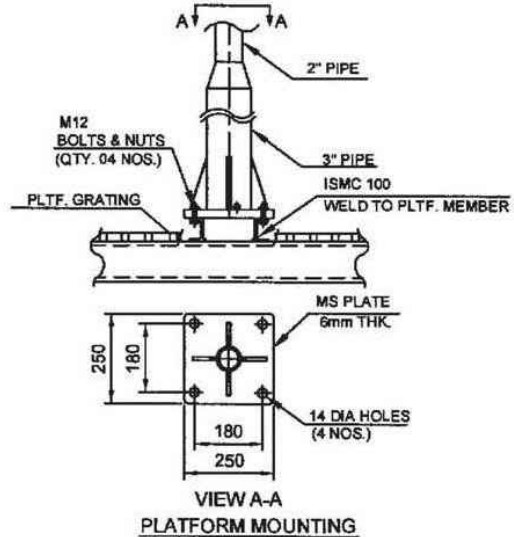
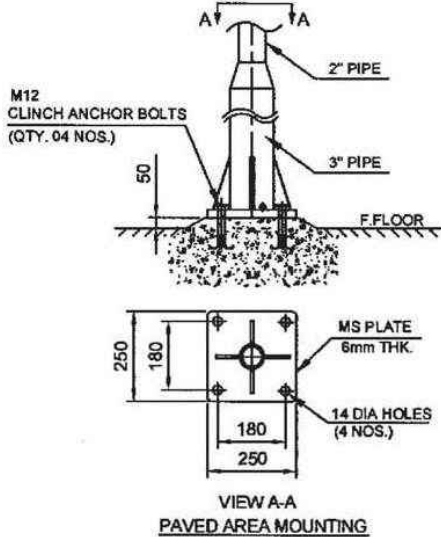
1 OF 3

TYPE 21 TWO INSTRUMENTS SUPPORT – GENERAL ARRANGEMENT



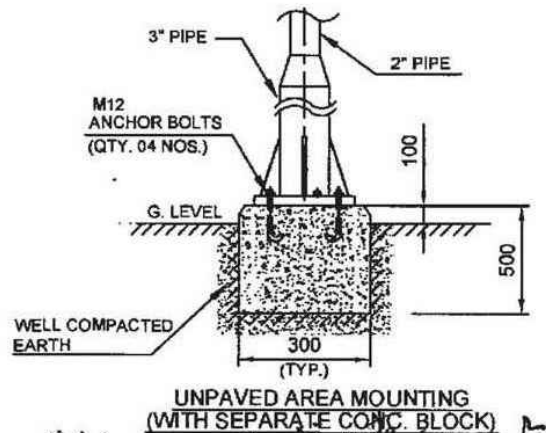
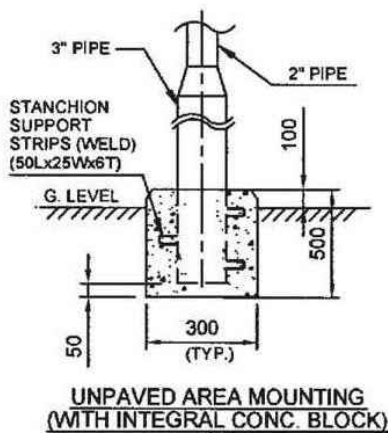
TYPE 21-1

TYPE 21-2



TYPE 21-3

TYPE 21-4



0	15.01.19	ISSUED FOR TENDER	D.V	U.N	S.B	
REV.NO.	DATE	SUBJECT OF REVISION	BY	CHECKED	APPROVED	



LYONS ENGINEERING PVT. LTD.
NEW DELHI

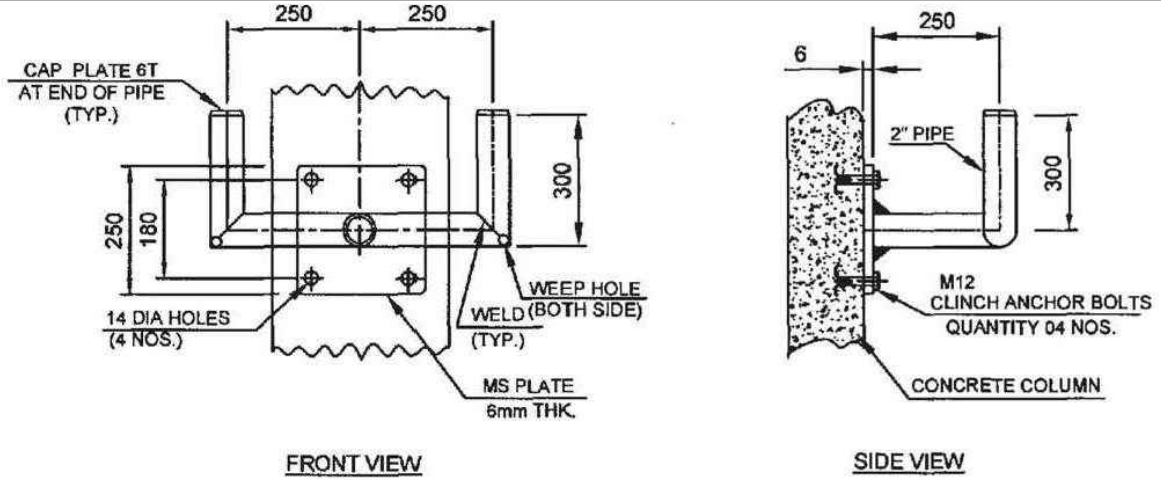
**INSTRUMENT SUPPORT
TWO INSTRUMENTS**

DRAWING NO.

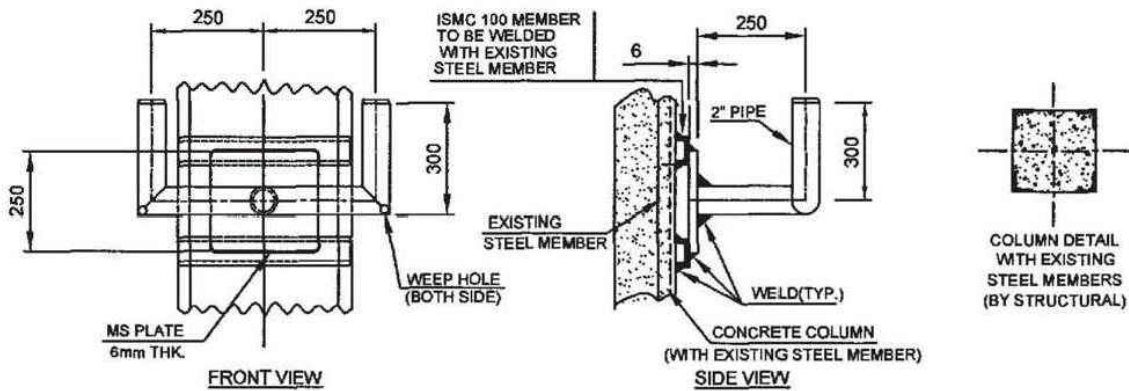
GAIL-ENG-IN-DWG-TP-013

2 OF 3

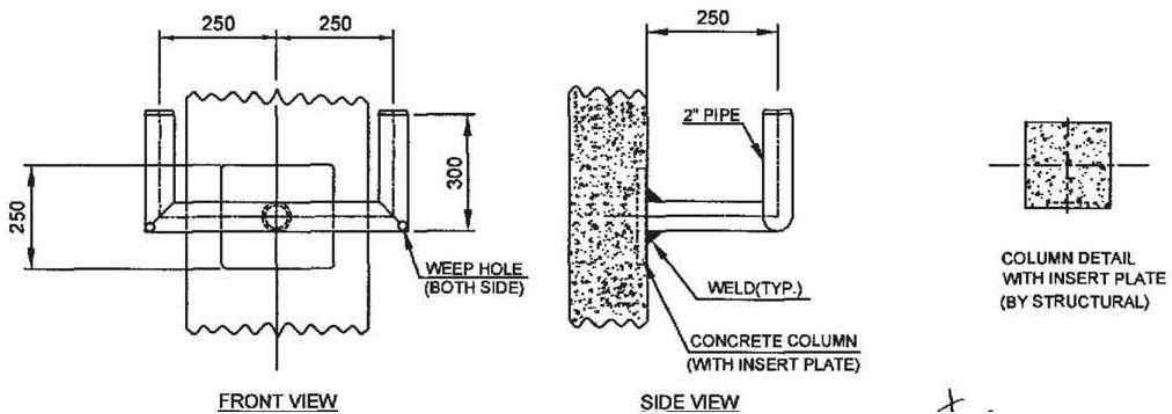
TYPE 22 CONCRETE COLUMN MOUNTING



TYPE 23 CONCRETE COLUMN (WITH ANGLE INSERT) MOUNTING



TYPE 24 CONCRETE COLUMN (WITH INSERT PLATE) MOUNTING



0	15.01.19	ISSUED FOR TENDER	D.V	U.N	S.B		
REV.NO.	DATE	SUBJECT OF REVISION	BY	CHECKED	APPROVED		



LYONS ENGINEERING PVT. LTD.
NEW DELHI

**INSTRUMENT SUPPORT
TWO INSTRUMENTS**

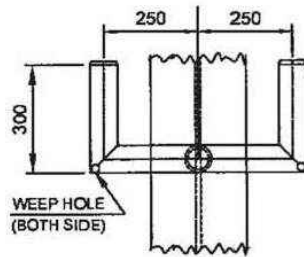
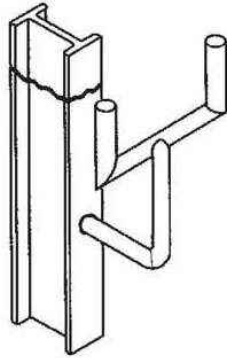
DRAWING NO.

GAIL-ENG-IN-DWG-TP-013

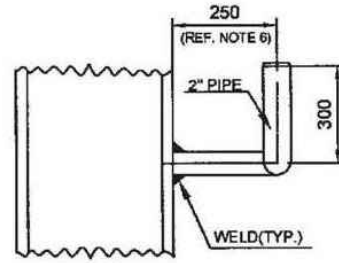
3 OF 3

TYPE 25

STEEL COLUMN MOUNTING (FLANGE FACE)



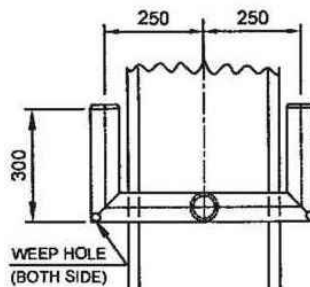
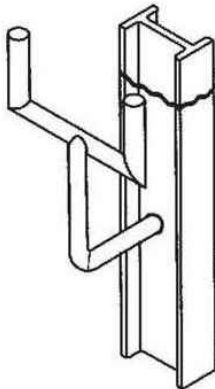
FRONT VIEW



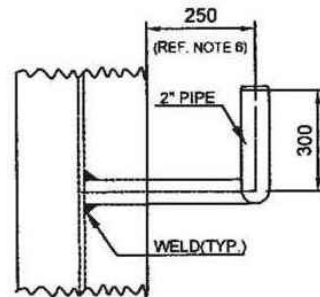
SIDE VIEW

TYPE 26

STEEL COLUMN MOUNTING (WEB FACE)



FRONT VIEW



SIDE VIEW

NOTES:

1. ALL DIMENSIONS ARE IN M.M. UNLESS OTHERWISE SPECIFIED.
2. PIPE MATERIAL SHALL BE IS:1239 HEAVY GRADE AS A MINIMUM.
3. 6 mm DIA WEEP HOLE SHALL BE PROVIDED AT LOW POINT.
4. U-BOLT ASSEMBLY SHALL BE OF MINIMUM M12 SIZE WITH NUTS AND SPRING WASHERS.
5. ALL WELD SHALL BE 3mm FILLET WELD FULL STRENGTH
6. ADD 50mm WHERE-EVER FIRE INSULATION IS PROVIDED.
7. BOLT SHALL BE TURNED FROM M.S. ROUNDS CONFIRMING TO IS : 432 GRADE 1.
8. NUTS AND WASHERS SHALL CONFIRM TO IS : 1363 AND IS : 3138.

0	15.01.19	ISSUED FOR TENDER	D.V	U.N	S.B		
REV.NO.	DATE	SUBJECT OF REVISION	BY	CHECKED	APPROVED		

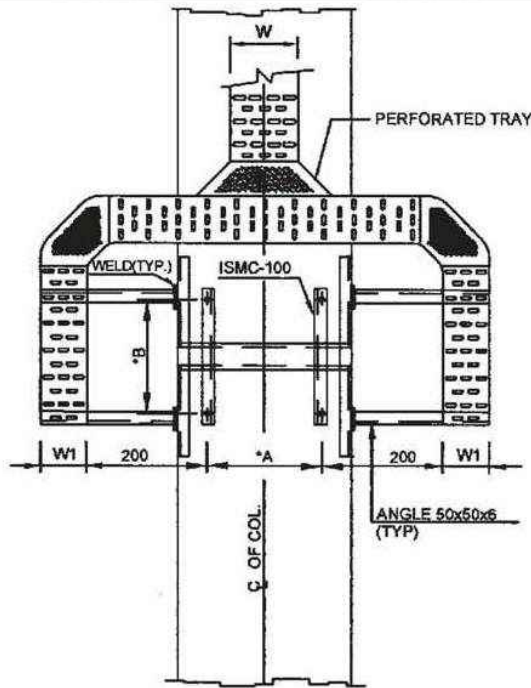


LYONS ENGINEERING PVT. LTD.
NEW DELHI

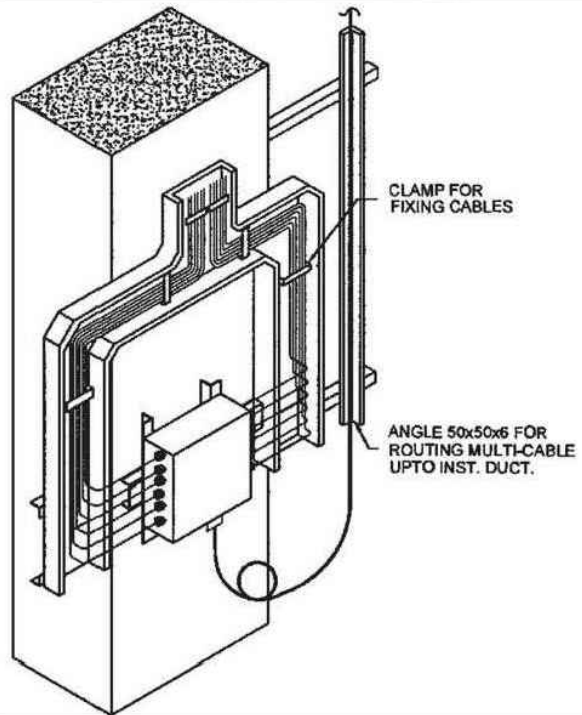
**SUPPORT DETAILS FOR
JUNCTION BOXES**

DRAWING NO.
GAIL-ENG-IN-DWG-TP-014
1 OF 1

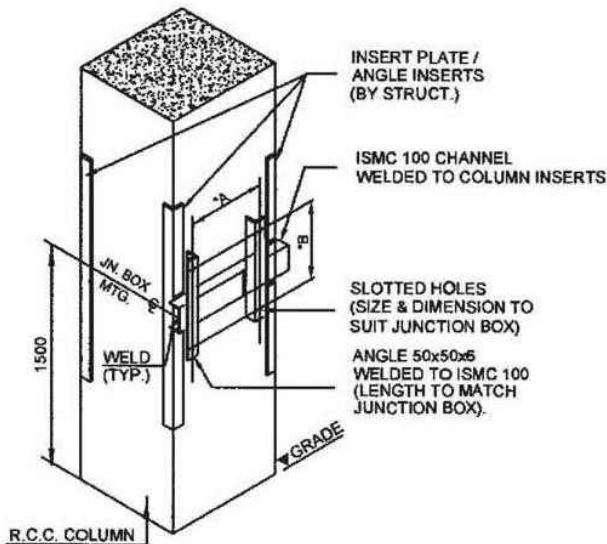
TRAY ARRANGEMENT FOR JUNCTION BOXES



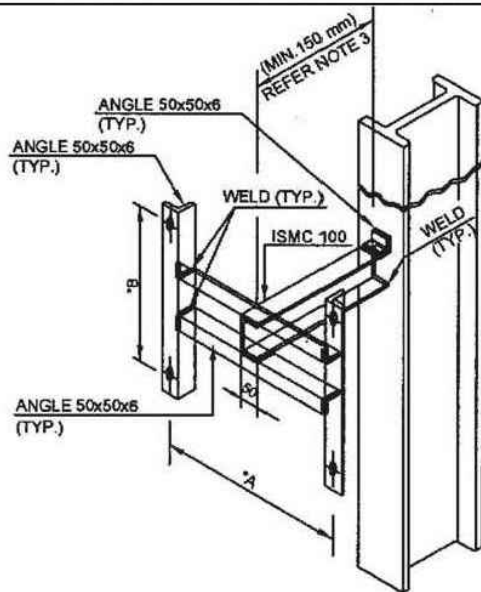
CABLE ROUTING FOR JUNCTION BOXES.



JN. BOX MOUNTING FRAME (R.C.C. COLUMN)



JN. BOX MOUNTING FRAME (STEEL COLUMN)



*DIMENSION 'A and B' TO SUIT JUNCTION BOX.

NOTES:

1. ALL DIMENSIONS ARE IN mm.
2. CLAMP MULTICABLE ON ANGLE WITH 25mm LAME PVC COVERED ALLUMINIUM STRIP.
3. ADD 50 mm WHERE-EVER FIRE INSULATION IS PROVIDED.

TREY WIDTH

JN. BOX	W	W1
12 PAIR	300	150
8 TRIAD	300	150
6 PAIR	150	100
6 TRIAD	150	100

0	15.01.19	ISSUED FOR TENDER	D.V	U.N	S.B
REV.NO.	DATE	SUBJECT OF REVISION	BY	CHECKED	APPROVED



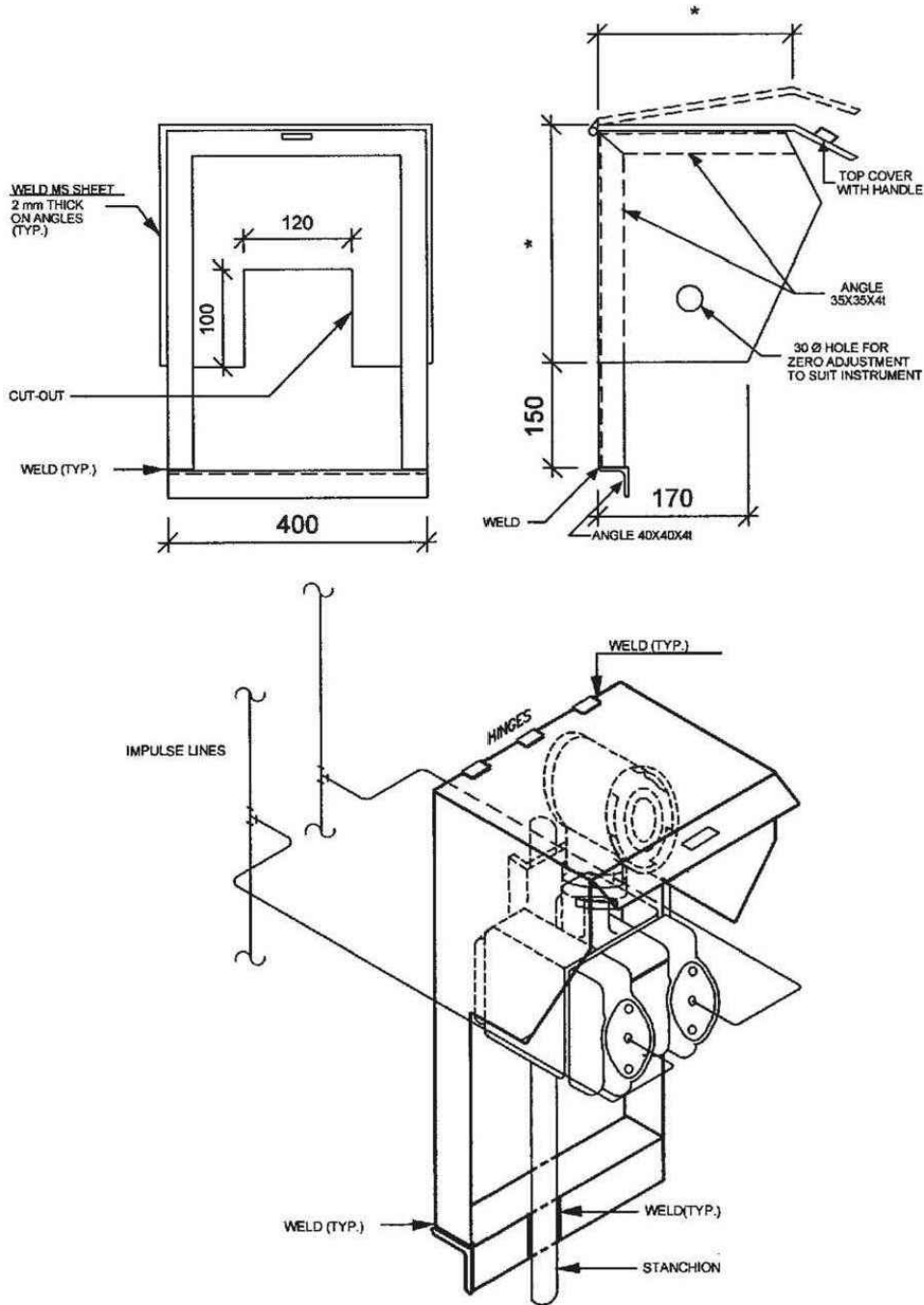
LYONS ENGINEERING PVT. LTD.
NEW DELHI

FABRICATED CANOPY
FOR
INSTRUMENTS

DRAWING NO.

GAIL-ENG-IN-DWG-TP-015

1 OF 1



NOTES:

1. ALL DIMENSIONS ARE IN mm.
2. * - TO SUIT INSTRUMENT DIMENSIONS
3. HINGES SHALL BE OF STAINLESS STEEL
4. A MINIMUM OF TWO COATS PAINTING SHALL BE CARRIED OUT AFTER A MINIMUM OF ONE COAT OF RED OXIDE ZINC CHROMATE PRIMER. THE COLOUR OF THE PAINT SHALL BE AS PER IS-5,

0	15.01.19	ISSUED FOR TENDER	D.V	U.N	S.B	
REV.NO.	DATE	SUBJECT OF REVISION	BY	CHECKED	APPROVED	



LYONS ENGINEERING PVT. LTD.
NEW DELHI

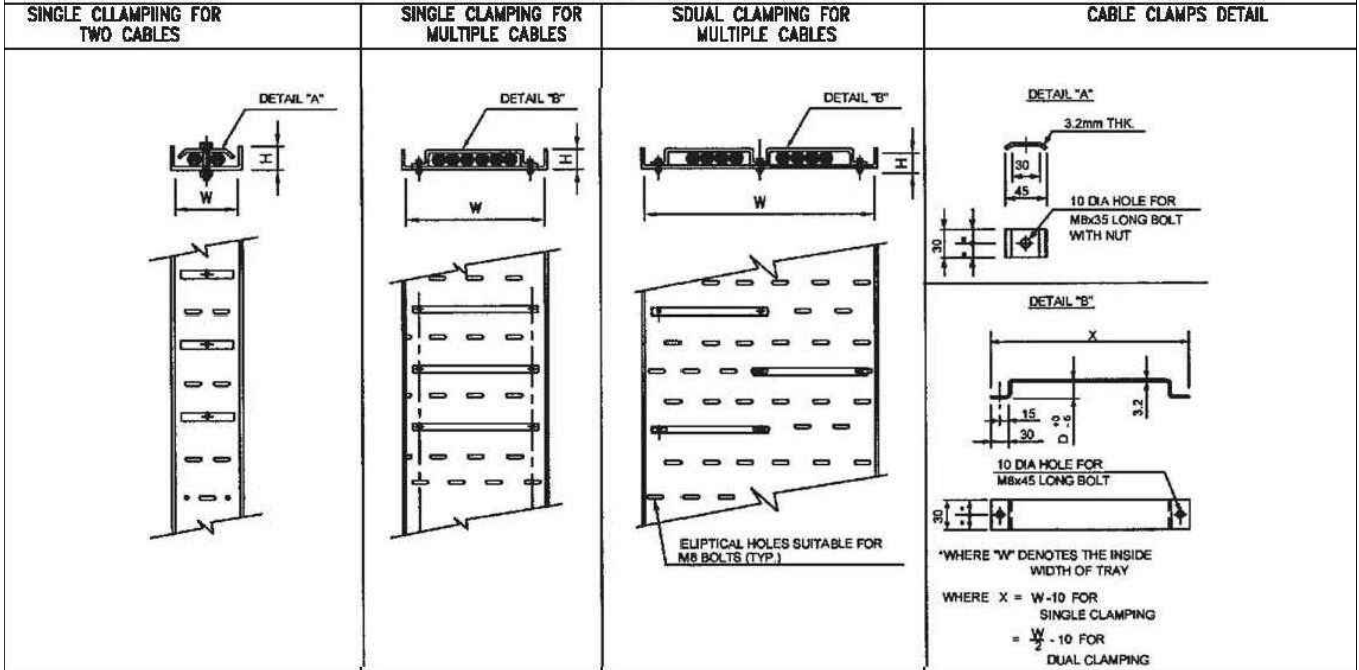
**PERFORATED TRAY SUPPORTS
AND
CABLES CLAMPING DETAILS**

DRAWING NO.

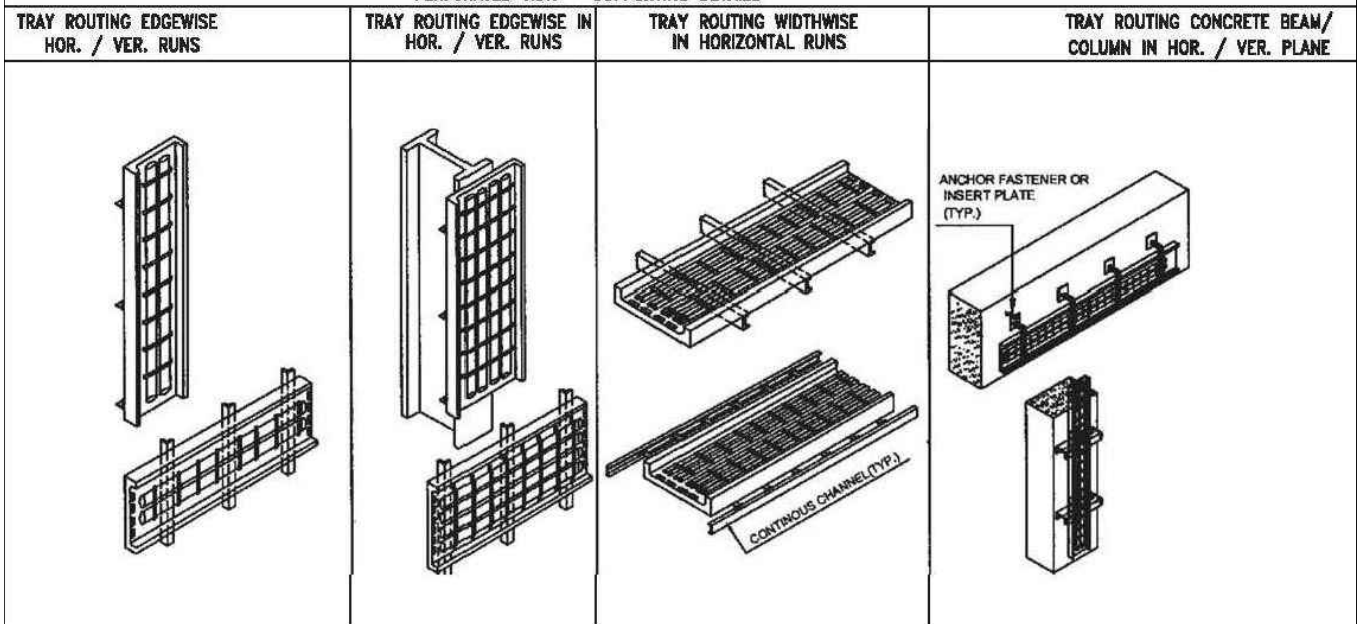
GAIL-ENG-IN-DWG-TP-016

1 OF 1

CABLE CLAMPING ON PERFORATED TRAYS



PERFORATED TRAY - SUPPORTING DETAILS



NOTES:

1. ALL DIMENSIONS ARE IN mm.
2. PERFORATED TRAYS SHALL BE SUPPORTED AT EVERY 1000 mm (TYP.) INTERVAL FOR HORIZONTAL AS WELL AS VERTICAL RUNS USING MINIMUM ANGLE SIZE AS
3. CLAMPING OF CABLES ON PERFORATED TRAYS SHALL BE AT EVERY 500 mm ON VERTICAL RUNS AND EVERY 1000 mm ON HORIZONTAL RUNS.
4. PERFORATED TRAYS SHALL BE SUPPLIED WITH CLAMPS, BOLTS / NUTS AND WASHERS OF GALVANISED MILD STEEL.
5. GALVANISING SHALL BE AS PER IS 4759 (66 gm/ 460 g / m²)
6. THE PERFORATED TRAY THICKNESS SHALL BE 2 mm.

CAPACITY OF PERFORATED TRAYS

TRAY WIDTH (W)	FLANGE HEIGHT (H)	NO. OF CABLES		
		1 PAIR / 1 TRIAD	6 PAIR / 6 TRIAD	12 PAIR / 8 TRIAD
60	20	2	1	1
100	30	4	2	1
150	30	6	4	3
200	30	10	6	4
300	30	15	8	6

0	15.01.19	ISSUED FOR TENDER	D.V	U.N	S.B
REV.NO.	DATE	SUBJECT OF REVISION	BY	CHECKED	APPROVED



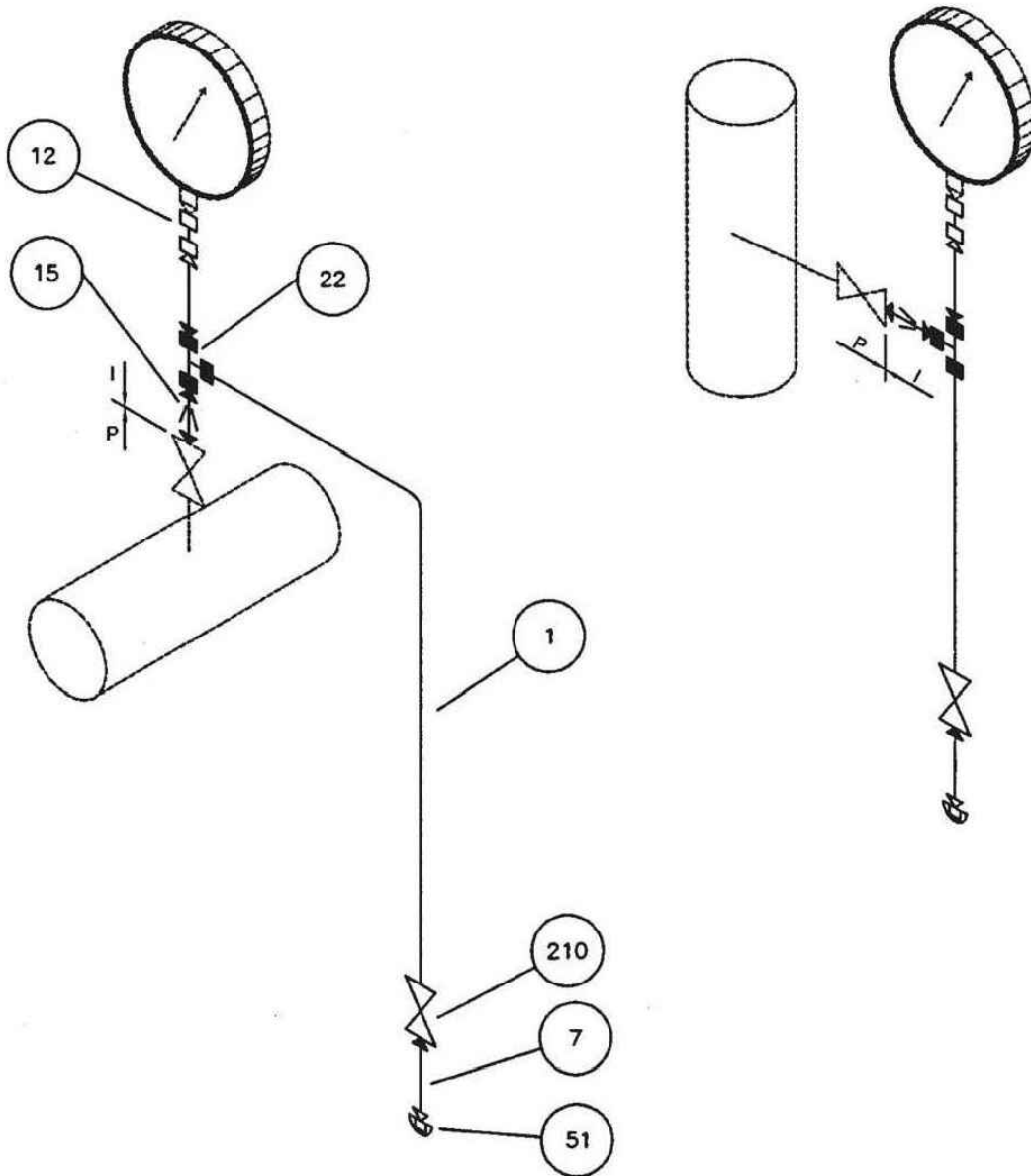
LYONS ENGINEERING PVT. LTD.
NEW DELHI

PRESSURE GAUGE
LIQUID/GAS SERVICE

DRAWING NO.

GAIL-ENG-IN-DWG-TP-017

1 OF 1



P - BY PIPING
I - BY INSTRUMENTATION

LIST OF ITEMS

CODE	DESCRIPTION	SIZE	ENDS	QTY.	UNIT	CODE	DESCRIPTION	SIZE	ENDS	QTY.	UNIT
1	PIPE	1/2"	PL	A/R	m						
7	NIPPLE	1/2"	TH X PL	2	No						
12	COUPLING	1/2"	TH	1	No						
15	SWAGE NIPPLE	3/4" X 1/2"	PL X PL	1	No						
22	EQUAL TEE	1/2"	SW	1	No						
51	CAP	1/2"	TH	1	No						
210	GATE VALVE	1/2"	SW	1	No						

0	15.01.19	ISSUED FOR TENDER	D.V	U.N	S.B
REV.NO.	DATE	SUBJECT OF REVISION	BY	CHECKED	APPROVED



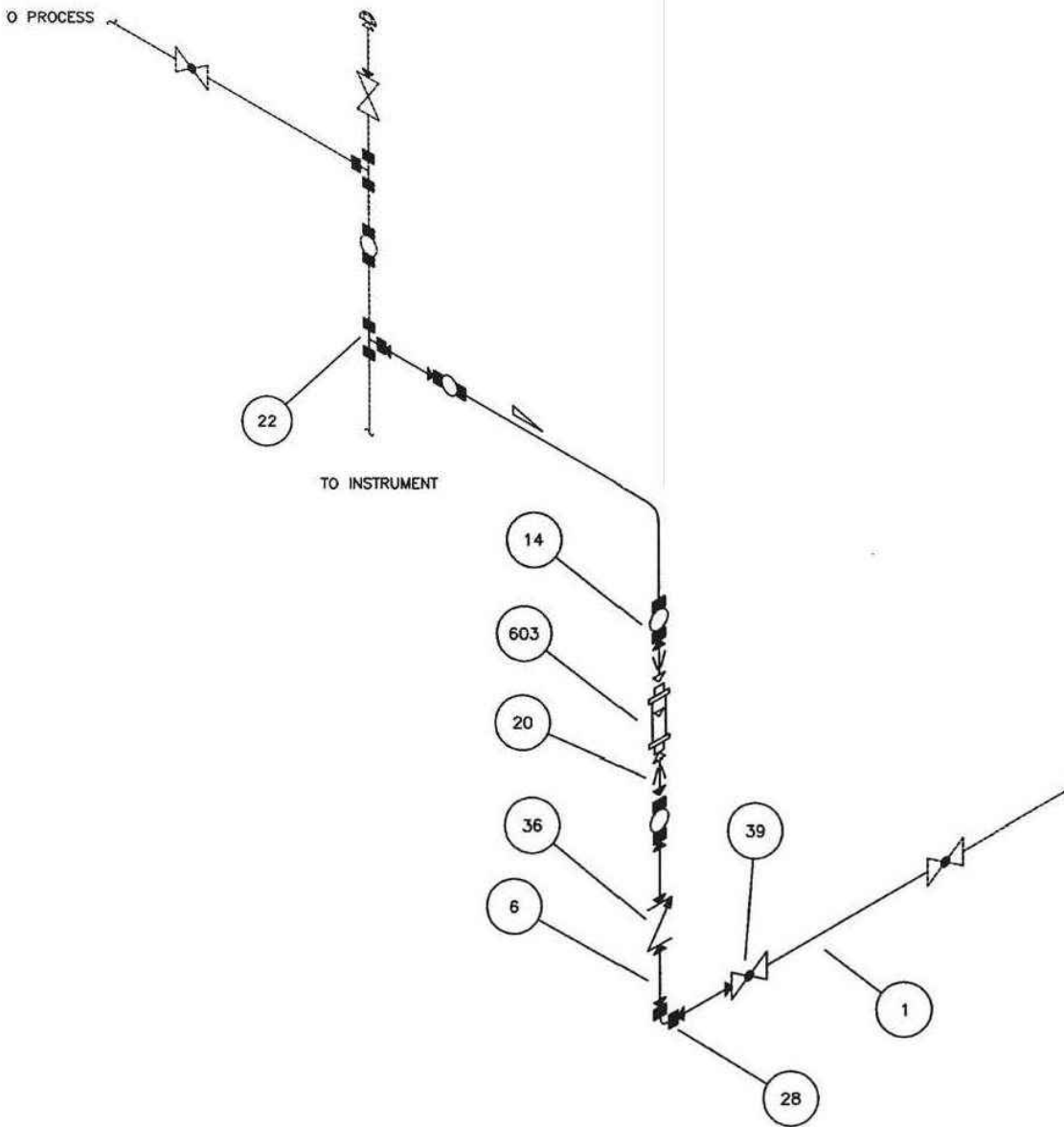
LYONS ENGINEERING PVT. LTD.
NEW DELHI

PURGE FOR INSTRUMENT
SINGLE LINE

DRAWING NO.

GAIL-ENG-IN-DWG-TP-018

1 OF 1



* PL x PL NIPPLE SHALL BE FABRICATED FROM PIPE

LIST OF ITEMS

CODE	DESCRIPTION	SIZE	ENDS	QTY.	UNIT	CODE	DESCRIPTION	SIZE	ENDS	QTY.	UNIT
1	PIPE	1/2"	PL	A/R	m	603	PURGE ROTAMETER	1/4"	TH (Int)	1	Ns
6	NIPPLE *	1/2"	PL X PL	4	Ns						
14	UNION	1/2"	SW	3	Ns						
20	SWAGE NIPPLE	1/2" X 1/4"	PL X TH	2	Ns						
22	EQUAL TEE	1/2"	SW	1	Ns						
28	ELBOW	1/2"	SW	1	Ns						
39	GLOBE VALVE	1/2"	SW	1	Ns						
36	CHECK VALVE	1/2"	SW	1	Ns						

0	15.01.19	ISSUED FOR TENDER	D.V	U.N	S.B
REV.NO.	DATE	SUBJECT OF REVISION	BY	CHECKED	APPROVED



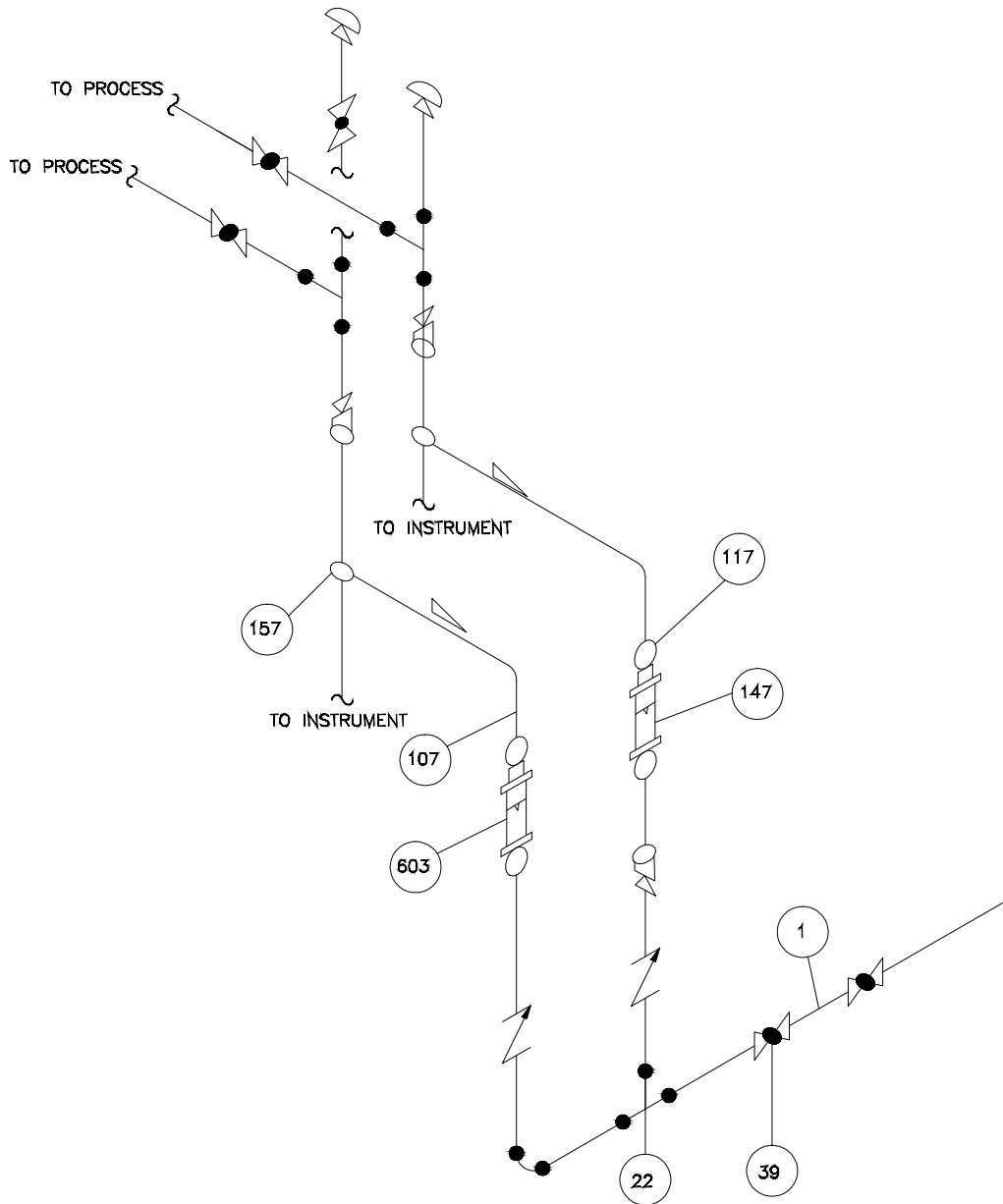
LYONS ENGINEERING PVT. LTD.
NEW DELHI

PURGE FOR INSTRUMENT
DOUBLE LINE

DRAWING NO.

GAIL-ENG-IN-DWG-TP-019

1 OF 1



* PL x PL NIPPLE SHALL BE FABRICATED FROM PIPE

LIST OF ITEMS

CODE	DESCRIPTION	SIZE	ENDS	QTY.	UNIT	CODE	DESCRIPTION	SIZE	ENDS	QTY.	UNIT
1	PIPE	1/2"	PL	A/R	m	107	TUBE	1/2"	OD	A/R	N#
6	NIPPLE *	1/2"	PL X PL	3	N#	117	MALE CONNECTOR	1/4" X 1/2"	TH X OD	4	N#
7	NIPPLE	1/2"	TH X PL	2	N#	147	FEMALE CONNECTOR	1/2" X 1/2"	TH X OD	2	N#
22	EQUAL TEE	1/2"	SW	1	N#	157	UNION TEE	1/2"	OD	2	N#
28	ELBOW	1/2"	SW	1	N#	603	PURGE ROTAMETER	1/4"	TH (Int)	2	N#
39	GLOBE VALVE	1/2"	SW	1	N#						
36	CHECK VALVE	1/2"	SW	2	N#						

0	15.01.19	ISSUED FOR TENDER	D.V	U.N	S.B
REV.NO.	DATE	SUBJECT OF REVISION	BY	CHECKED	APPROVED



GAIL INDIA LIMITED

**CONSTRUCTION OF STEEL PIPELINE AND ASSOCIATED FACILITIES
FOR CGD CONNECTIVITIES**

VOLUME II OF II (TECHNICAL) – I



TELECOM

E-TENDER REF : 8000017675

(BID DOCUMENT NO - 034/LEPL/GAIL/27-R0)



Lyons Engineering Pvt. Ltd.

	DCI - MASTER DELIVERABLE CONTROL INDEX FOR CONSTRUCTION OF STEEL PIPELINE AND ASSOCIATED FACILITIES FOR CGD TO M/S BPCLSAHARANPUR, CGD TO M/S THINK GAS MACCHIWARA(LUDHIANA), CGD TO M/S BPCL YAMUNANAGAR, & CGD TO M/S IGL FATEHPUR	Doc No.	
		GAIL-ENG-GN-DOC-DL-001	
		Rev. 0	
Sr. No.	Description	Document / Drawing No.	Rev. No.
	TECHNICAL VOLUME - II OF II		
I	TELECOM		
STANDARD SPECIFICATION FOR TELECOM			
1	Standard Specifications for OFC & HDPE	GAIL-STD-TL-DOC-TS-001	0
2	Standard Procedure for Fiber Optical Cable Testing	GAIL-STD-TL-DOC-TS-002	0
DATASHEET FOR TELECOM			
3	Datasheet for Fiber Optic Cable	GAIL-STD-TL-DOC-DS-001	0
4	Datasheet for HDPE Duct	GAIL-STD-TL-DOC-DS-002	0
QAP FOR TELECOM			
5	QAP for Optical Fibre Cable	GAIL-STD-TL-DOC-QAP-001	0
6	QAP for HDPE Duct & Accessories	GAIL-STD-TL-DOC-QAP-002	0
STANDARD TYPICAL DRAWING			
7	Telecom Typical (Cross section Installation & Joint Identification Marker) drawing	GAIL-STD-TL-DWG-TP-001	0
J	LIST OF RECOMMENDED VENDORS		
i)	List of Recommended Parties for Bought Out Items	GAIL-ENG-GN-DOC-VL-001	0



GAIL INDIA LIMITED

**STANDARD SPECIFICATION FOR
OPTICAL FIBRE CABLE AND HDPE DUCT**

GAIL-STD-TL-DOC-DS-001

Rev	Date	Purpose	Prepared By	Checked By	Approved By
0	14.01.19	First Issue	RKS	UNU	UNU




TABLE OF CONTENTS

1.0	GENERAL	4
1.1	ABBREVIATIONS	4
1.2	CONFLICTING REQUIREMENT	5
1.3	DRAWING AND DATA.....	5
1.4	SAFETY REQUIREMENT	5
2.0	OPERATING REQUIREMENT	5
3.0	TECHNICAL PARTICULARS- OPTICAL FIBRE CABLES	5
3.1	SPECIFICATION OF OPTICAL FIBRES	5
3.2	OPTICAL FIBRE CABLE CONSTRUCTION SPECIFICATIONS	10
4.	INSPECTION & TESTING OF OPTICAL FIBRE CABLES	13
4.1	Cable Aging Test (Type Test)	13
4.2	Cable Jacket Yield Strength And Ultimate Elongation	13
4.3	To Check of the quality of the loose tube (containing optical fiber) (Type Test).....	13
4.4	Termite & Rodent Test (Type Test)	14
4.5	Tensile Strength Test	14
4.6	Abrasion Test.....	14
4.7	Crush Test (Compressive Test)	14
4.8	Impact Test	15
4.9	Repeated Bending.....	15
4.10	Torsion Test.....	15
4.11	Kink Test	16
4.12	Cable Bend Test.....	16
4.13	Temperature Cycling	16
4.14	Water Penetration Test	17
4.15	Water Immersion Test	17
4.16	Flexural Rigidity Test on the Optical Fibre Cable.....	17
4.17	Test of Figure of 8 (Figure on the Cable).....	17
4.18	Static Bend Test.....	18
4.19	Sheath Integrity (Spark Test).....	18
4.20	Jointing Closures	18
4.21	TEST FOR LOOSE TUBE	19
5.	GENERAL REQUIREMENTS	21
5.1	CABLE MARKING	21
5.2	CABLE ENDS.....	21
5.3	THE NOMINAL DRUM LENGTH	21
5.4	COLOUR CODING IN O.F. CABLES.....	22
5.5	COLOUR CODING SCHEME.....	22
6.	QUALITY REQUIREMENTS	22
7.	RAW MATERIAL.....	22
8.	DOCUMENTATION	22
9.	SAFETY.....	23
10.	REFERENCE DOCUMENTS.....	23
11.	PERMANENTLY LUBRICATED HDPE DUCT	23

11.1	TECHNICAL SPECIFICATIONS OF HDPE DUCT	23
11.2	IDENTIFICATION	25
11.3	PLASTIC COUPLERS.....	25
11.4	TESTING	25
11.5	PACKING	26
12.	FIBER TERMINATION CLOSURE.....	26
12.1	GENERAL	26
12.2	PIGTAIL & CONNECTORS:	26
12.3	OPTICAL PATCH CORDS.....	27
13.	INSTALLATION.....	27
13.1	GENERAL REQUIREMENT.....	27
13.2	SCOPE OF WORK FOR INSTALLATION	28
13.3	OFC PIT.....	28
13.4	PROTECTIVE MEASURES DURING INSTALLATION	29
13.5	CABLE LAYING PROCEDURE	29
13.6	CROSSING.....	31
13.7	JOINTING / INSTALLATION AT PULL BOXES.....	31
13.8	BACKFILLING.....	31
13.9	EARTHING SYSTEM:	32
13.10	TESTING	32
14.	QUALITY ASSURANCE PROGRAMME & TESTING	32
14.1	OFC CABLE	32
14.2	HDPE DUCT	32
14.3	TESTS	32
14.4	FACTORY ACCEPTANCE TESTS	33
14.5	SITE ACCEPTANCE TESTS	33
14.6	HDPE DUCT TESTS	33
14.7	REFERENCE DOCUMENTS.....	34

1.0 GENERAL

This document describes the specifications of 24 fiber metal free Optical Fiber Cable for underground installation in ducts, which shall conform to TEC Draft GR No. TEC/GR/TX/OFC-23/01/XXX-2011 (under finalization in TEC). The optical fiber cable shall have low weight, small volume and high flexibility. The optical fiber cable shall have double HDPE jacketing with anti-rodent & anti-termite properties with glass yarn in between as reinforcement. The cable shall be suitably protected from the ingress of moisture by flooding jelly. The raw material used in the cable shall meet the requirements of the specifications for the raw materials (GR No.TEC/GR/TX/ORM-01/04 SEP-09).

The contractor shall be totally responsible for the desired performance of the offered OFC including design, engineering, manufacture, testing and supply of direct underground burial type OFC and for underground installation in ducts.

The design and construction of metal free optical cable shall be inherently robust and rigid under all conditions of operations, installation, adjustment, replacement, storage and transport and shall be of capable of laying in permanently lubricated HDPE conduits using blowing technology & shall be capable of direct burial and for crossing various roads, railways, canals, small rivers, marshy areas, etc. through appropriate casings & directly as per site conditions.


OFC shall be blow through self-lubricating type HDPE conduit of required diameter and shall be minimum of 50 mm (OD) by compressed air blowing method. Across each said crossing, the contractor shall install two HDPE duct sub-ducted in CS Pipe and blow optical fibre cable through the one of these HDPE ducts. Spare HDPE duct shall be plugged & kept for future use.HDPE conduits along with accessories such as end cap, cable sealing plug and all the machinery, tools, tackles etc. to complete the job in all respects to lay the HDPE & OFC shall be provided by the bidder.

It is mandatory that the supplied optical fiber cable shall be manufactured from a single source of optical fibers.

The intent of the following specifications is to establish the minimum requirements and guidelines for the OFC to be supplied for the project.

1.1 Abbreviations

ASTM	- American Society for Testing and Materials
EIA	- Electronic Industry Association
FRP	- Fiber Reinforced Plastic
HDPE	- High Density Polyethylene
IEC	- International Electra -Technical Commission
ISO	- International Standard Organizations
ITU-T	- International Telecommunication Union- Transmission
MFD	- Mode Field Diameter
OF	- Optical Fiber
OTDR	- Optical Time Domain Reflect meter
QA	- Quality Assurance
QM	- Quality Manual
RMS	- Route Mean Square
SMOF	- Single Mode Optical Fibre
TEC	- Telecommunication Engineering Centre
UV	- Ultra Violet

Technical Specification for Optical Fibre Cable and HDPE Duct	Doc No.	Rev	 14 13 of 15 17
	GAIL-STD-TL-DOC-DS-001	0	
Page 4 of 35			

1.2 Conflicting Requirement

In the event of any conflict between this standard specification, job specification, datasheets, statutory regulations, related standards, codes etc. the following order of priority shall govern:

- i) Statutory Rules & Regulations
- ii) Technical Specification for OFC & HDPE
- iii) Data Sheets
- iv) Codes and Standards Instrumentation Drawings

1.3 Drawing and Data

- 1.3.1 Detailed drawings, data, catalogues and manuals required from the vendor are indicated by the purchaser in vendor data requirement sheets. The required number of reproducible, prints and soft copies shall be dispatched to the address mentioned, adhering to the time limits indicated.
- 1.3.2 Final documentation consisting of design data, installation manual, operation and maintenance manual etc., submitted by the vendor after placement of purchase, order shall include complete technical literature in English with detailed cable construction diagram of various sub-components with dimensions & test data. All aspects of installation, operation, and maintenance shall also be covered in the document.
- 1.3.3 The Vendor / Contractor shall be completely responsible for the successful completion of the job. However, to ensure good quality of workmanship. As also of the uttered system, vendor shall prepare and submit the documents to be approved by the Owner/Owner's representatives. Vendor shall proceed with the manufacture / procurement / installation of the respective materials and/or equipment only after obtaining the necessary approval from the Owner/Owner's representatives.

1.4 Safety Requirement


The material used in the manufacturing of the armoured optical fibre cables shall be non-toxic and dermatologically safe in its lifetime.

2.0 OPERATING REQUIREMENT

- a) The design and construction of metal free optical cable shall be inherently robust and rigid under all conditions of operations, adjustment, replacement, storage and transport.
- b) The optical fibre cable shall be able to work in a saline atmosphere in coastal areas and should be protected against corrosion.
- c) Life of cable shall be better than 40 years. The bidder shall submit necessary statistical calculations.
- d) It shall be possible to operate and handle the metal free optical fibre cable with tools as per TEC specs No. G / OFT—01 / 02 Mar.'99 (or Latest) and subsequent amendment, if any. In case any Special tool requirement for operating and handling the optical fibre cable. The same shall be provided along with the cable.

3.0 TECHNICAL PARTICULARS- OPTICAL FIBRE CABLES

3.1 Specification of Optical Fibres

Technical Specification for Optical Fibre Cable and HDPE Duct	Doc No.	Rev	 14.14 of 15.17
	GAIL-STD-TL-DOC-DS-001	0	
Page 5 of 35			

Out of 24 fiber, eighteen fiber shall be as per ITU – T Rec. G 652 D and remaining six fiber shall be as per ITU-T Rec. G655. The specifications of optical fibers are as follows:

SR. NO.	SPECIFICATION	G.652D	G.655
3.1.1	Type of fiber	Single mode (Section – I of the TEC/GR/TX/ORM 01/04/ SEP-09 and subsequent amendments, if any)	NZDS Single mode Optical Fibre optimized for use in 1550 nm window conforming to ITU-T Rec.G.655
3.1.2	Geometrical Characteristics		
3.1.2.1	Nominal Mode Field Diameter (MFD) For matched clad	8.8 – 9.8 μm	9.6 \pm 0.4 μm
3.1.2.2	Nominal Cladding Diameter	125 $\mu\text{m} \pm 1.0 \mu\text{m}$	125 $\mu\text{m} \pm 1.0 \mu\text{m}$
3.1.2.3	Cladding Non-circularity	$\leq 1\%$	$\leq 1\%$
3.1.2.4	Core clad concentricity error	$\leq 0.6 \mu\text{m}$	$\leq 0.6 \mu\text{m}$
3.1.2.5	Diameter over primary coated with double UV cured acrylate (shall be measured on uncoloured fiber)	245 $\mu\text{m} \pm 10 \mu\text{m}$	245 $\mu\text{m} \pm 10 \mu\text{m}$
3.1.2.6	Coating / Cladding Concentricity	$\leq 12 \mu\text{m}$	$\leq 12 \mu\text{m}$

3.1.3	Transmission Characteristics of G.652D fibers	
3.1.3.1	Attenuation	
	a) Fiber attenuation before cabling	
	i) At 1310 nm	$\leq 0.34 \text{ dB/Km}$
	ii) Between 1285 to 1360 nm	$\leq 0.37 \text{ dB/Km}$
	iii) Between 1480 to 1525 nm	$\leq 0.34 \text{ dB/Km}$
	iv) At 1550 nm	$\leq 0.21 \text{ dB/Km}$
	v) Between 1525 to 1625 nm	$\leq 0.24 \text{ dB/Km}$
	b) Water Peak Attenuation before cabling Between	$\leq 0.34 \text{ dB/Km}$

3.1.3	Transmission Characteristics of G.652D fibers	
	<p style="text-align: center;">1360 – 1480 nm</p> <p>Note :</p> <ol style="list-style-type: none"> 1. Sudden irregularity in attenuation shall be less than 0.1 dB 2. The spectral attenuation shall be measured on un-cabled fiber. 3. The spectral attenuation in the 1250 nm – 1625 nm band shall be measured at an interval of 10 nm and the test results shall be submitted. 	
	<p>c) Fiber attenuation after cabling</p> <ol style="list-style-type: none"> i) At 1310 nm ii) At 1550 nm iii) At 1625 nm 	≤ 0.36 dB/Km ≤ 0.23 dB/Km ≤ 0.26 dB/Km
	<p>d) Water Peak Attenuation after cabling</p> <ol style="list-style-type: none"> i) At 1383 nm ii) Between 1360 – 1480 nm <p>Note: Water Peak Attenuation after cabling shall be measured either at 1383 nm or between 1360 – 1480 nm.</p>	≤ 0.34 dB/Km ≤ 0.34 dB/Km
3.1.3.2	<p>Dispersion</p> <p>a) Total Dispersion</p> <p>In 1285 – 1330 nm band In 1270 – 1340 nm band At 1550 nm At 1625 nm</p> <p>Note-The dispersion in 1250 nm – 1625 nm band shall be measured on un-cabled fiber at an interval of 10 nm and the test results shall be submitted.</p> <p>b) Polarization mode dispersion at 1310 & 1550 nm</p> <ol style="list-style-type: none"> i) Fiber ii) Cabled Fiber <p>Note- Measurement on un-cabled</p>	

3.1.3	Transmission Characteristics of G.652D fibers	
	fiber may be used to generate cabled fiber statistics and correlation established c) Zero Dispersion Slope d) Zero Dispersion wave length range	$\leq 0.092\text{ps}/(\text{nm}^2\cdot\text{km})$ 1300 – 1324 nm
3.1.4	a) Cut off wavelength for fibers used in cable Note – The above cut off wave length is w.r.t. 2 M sample length of fiber b) Cable Cut off wavelength	1320 nm Max 1260 nm Max

3.1.5	Transmission Characteristics of G655 fibres	
3.1.5.1	Attenuation	
	a) Fiber attenuation before cabling	
	i) Between 1525 to 1565 nm	$\leq 0.23 \text{ dB/Km}$
	ii) Between 1565 to 1625 nm	$\leq 0.26 \text{ dB/Km}$
	b) Fiber attenuation after cabling i) At 1550 nm ii) At 1625 nm Note : 1. Sudden irregularity in attenuation at 1550 nm shall be $\leq 0.05 \text{ dB}$. 2. The spectral attenuation shall be measured on uncabled fibre. 3. The spectral attenuation in the 1525 nm – 1625 nm band shall be measured at an interval of 10 nm and the test results shall be submitted.	$\leq 0.25 \text{ dB/Km}$ $\leq 0.28 \text{ dB/Km}$
3.1.5.2	• Chromatic Dispersion a) Chromatic Dispersion Coefficient in 1530-1565 nm band i) λ_{min} & λ_{max} ii) Minimum value of D_{min}	1530 nm to 1565 nm 1.0 ps/nm.Km

3.1.5	Transmission Characteristics of G655 fibres	
	iii) Maximum value of Dmax iv) Dmax - Dmin v) Sign b) Chromatic Dispersion Coefficient in 1565-1625 nm band i) λ_{min} & λ_{max} ii) Minimum value of Dmin iii) Maximum value of Dmax iv) Sign • Polarization mode dispersion at 1550 nm Individual (un-cabled) Fibre Cabled Fibre Link design value of PMD Note : Measurement on un-cabled fibre may be used to generate cabled fibre statistics and correlation established Dispersion Slope at 1550 nm	10.0 ps/nm.Km ≤ 5.0 ps/nm.Km Positive 1565 nm & 1625 nm 4.0 ps/nm.Km 14.0 ps/nm.Km Positive ≤ 0.15 ps/ $\sqrt{\text{Km}}$ ≤ 0.3 ps/ $\sqrt{\text{Km}}$ ≤ 0.1 ps/ $\sqrt{\text{Km}}$
3.1.6	c) Cut off wavelength for fibers used in cable	1480 nm Max
3.1.7	Mechanical Characteristics of G.652D& G.655Fibers	
3.1.7.1	a) Proof test for minimum strain level (Test method IEC-60793-1-30) b) Peak Strippability force to remove primary coating of the fiber (Test method IEC-60793-1-32) Note: The force required to remove 30 mm \pm 3mm of the fiber coating shall not exceed 8.9 N and shall not be less than 1.3 N. c) Dynamic Tensile Strength (Test method IEC-60793-1-31) i) Un-aged ii) Aged d) Dynamic Fatigue (Test method IEC-60793-1-33) e) Static Fatigue	1% $1.3 \leq F \leq 8.9$ N ≥ 550 KPSI (3.80 Gpa) ≥ 440 KPSI (3.00 Gpa) ≥ 20 ≥ 20

3.1.5	Transmission Characteristics of G655 fibres	
	(Test method IEC-60793-1-33)	
3.1.7.2	Fiber macro bend Change in attenuation when fiber is coiled with 100 turns on 30 ±1.0 mm radius mandrel(Test method FOTP– 62/ IEC- 60793-1-47)	≤ 0.05 dB at 1550 nm for G.652D& G.655 fiber ≤ 0.5 dB at 1625 nm for G.655fiber
3.1.7.3	Fiber macro bend Change in attenuation when fiber is coiled with 1 turn around 32 ± 0.5 mm diameter mandrel(Test method FOTP– 62/ IEC- 60793-1-47)	≤ 0.5 dB at 1550 nm for G.652D & G.655 fibers ≤ 1.0 dB at 1625 nm for G.655 fiber
3.1.7.4	Fiber Curl (Test method as per IEC-60793-1-34)	≥ 4 meters radius of curvature
3.1.8	Material properties of G.652D & G.655fibers	
3.1.8.1	Fiber Materials a) The substances of which the fibers are made. b) Protective materials requirement <ul style="list-style-type: none"> • The physical and chemical properties of the material used for the fiber primary coating and for single jacket fiber. • The best way of removing protective coating material. 	contractor to specify To be indicated by the bidder/vendor/contractor.

3.2 OPTICAL FIBRE CABLE CONSTRUCTION SPECIFICATIONS


3.2.1 Secondary Protection

The primary coated fibers shall be protected by loose packaging within a tube, which shall be filled with thixotropic jelly.

Number of fibers	: 24
Number of loose tubes	: 6
Number of Filler/ Dummy	: 0
Number of fibers per loose tube	: 4
Material for loose tube	: Polybutylene terephthalate.
The OD of loose tube	: 1.9 mm + 0.1 mm
The ID of loose tube	: minimum 1.2mm

3.2.2 Cable Core Assembly

Four fibers shall be placed loosely in each loose tube.

Technical Specification for Optical Fibre Cable and HDPE Duct	Doc No.	Rev	 14 19 of 15 17
	GAIL-STD-TL-DOC-DS-001	0	
Page 10 of 35			

3.2.3 Core Wrapping

The core wrapping shall not adhere to the secondary fiber coating and shall not leave any kink marks over the loose tube.

3.2.4 Filling Compound

The filling and the flooding jelly compound shall be as per the TEC Specs No. TEC/GR/TX/ORM 01/04/SEP-09 and subsequent amendment issued, if any.

3.2.5 Inner Sheath

A non-metallic moisture barrier sheath shall be applied over and above the cable core. The core shall be covered with tough weather resistant High Density Polyethylene (HDPE) sheath black in colour (UV stabilised) and colour shall conform to Munsell Colour Standards. Thickness of the sheath shall be uniform & shall not be less than 1.2 mm. The sheath shall be circular, smooth, free from pin holes, joints, mended pieces and other defects. Reference test method to measures thickness shall be as per IEC 189 Para 2.2.1 and Para 2.2.2.

Note : HDPE material, black in colour, from the finished cable shall be subjected to following tests (on sample basis) and shall conform to the requirement of the material as per GR No.TEC/GR/TX/ORM-01/04 SEP.09.


- i. Density
- ii. Melt Flow Index
- iii. Oxidative Induction time
- iv. Carbon Black Content
- v. Carbon Black Dispersion
- vi. ESCR
- vii. Moisture Content
- viii. Tensile Strength and Elongation at break
- ix. Absorption Coefficient
- x. Brittleness Temperature

3.2.6 Glass Reinforcement

Impregnated Glass Fiber Reinforcement shall be used to achieve the required tensile strength of the optic fiber cable over the cable inner sheath to provide peripheral reinforcement along with solid rigid FRP Rod in the centre at cable core. These flexible strength members shall be Non-water blocking type. Impregnated Glass Fiber Reinforcement used shall be equally distributed over the periphery of the cable inner sheath. It shall be applied helically and shall provide full coverage to inner sheath to provide rodent protection. The quantity of the Impregnated Glass fiber Reinforcement used per km length of the cable shall be minimum 20kg per KM cable. The specification of the glass roving shall be as per Section XII of GR No. TEC/GR/TX/ORM-01/04 SEP.09.

3.2.7 Outer Sheath

A non-metallic moisture barrier sheath (black in colour) shall be applied over the inner sheath and glass roving layer, which shall consist of tough weather resistant made High Density Polyethylene compound (HDPE) with anti-termite and anti-rodent properties. The outer sheath shall be UV stabilized and the

Technical Specification for Optical Fibre Cable and HDPE Duct	Doc No.	Rev	 1420 of 1517
	GAIL-STD-TL-DOC-DS-001	0	
Page 11 of 35			

colour shall confirm to Munsell colour standards. The thickness of the outer sheath shall not be less than 1.6mm. The outer sheath shall be uniform, circular, smooth; free from pin holes, joints mended pieces and other defects. The reference test method to measure thickness shall be as per IEC 811-5-1.

Note: HDPE material from finished product shall be subjected to following tests (on sample basis) and shall confirm to the requirement of the material as per the GR no. TEC/GR/TX/ORM-01/04/SEP-09 (Section-III):


- a) Density
- b) Melt flow index
- c) Oxidative Induction time
- d) Carbon black content
- e) Carbon black dispersion
- f) ESCR
- g) Moisture content
- h) Tensile strength and elongation at break
- i) Absorption Coefficient
- j) Brittleness Temperature
- k) Anti termite and Anti-rodent dopants shall be added in the outer sheath to resist termite attack and rodent attack on the cable. Bidder/vendor/contractor shall provide the details of doping material used and same shall be verified during testing.
- l) Protection against rodents- For protection against rodents, HDPE sheath shall have rodent repellent properties with the use of an eco-friendly, non-toxic rodent repellent additive. 2%-3% master-batch of rodent repellent material consisting of 5% additive & 95% HDPE/ LDPE shall be mixed in the HDPE sheath material/ granules (If otherwise, bidder/vendor/contractor to submit details of additive with OEM recommendation for mixing).
- m) Protection against termites- For protection against termites, HDPE sheath shall have termite repellent properties with the use of an eco-friendly, non-toxic termite repellent additive. The termite protection shall be as per DIN EN117.
- n) A copy of Invoice from OEM of rodent repellent material & termite repellent material shall be submitted with the pre-FAT internal inspection reports and bidder/vendor/contractor to evidence Original Invoice from OEM of rodent repellent master-batch & termite repellent material during Factory Acceptance Test of finished cable.
- o) Termite & Rodent Test - Termite & Rodent test shall be carried out at any recognized lab on finished cable samples. The reports shall be submitted by the bidder/vendor/contractor. Termite resistance shall be provided with an additive in outer sheath and rodent protection shall be provided with an additive in outer sheath and by use of Glass roving yarns around the periphery of inner sheath. These yarns should spread uniformly around the periphery of inner sheath. Bidder/vendor/contractor to note that apart from the above test report, it shall be Owner's prerogative to get sample of finished cable tested at OEM/ Other recognized test labs to establish presence of rodent & termite repellent additives in specified proportion.

3.2.8 Cable Diameter

- a) Bidder/vendor/contractor to specify the cable diameter.
- b) Bidder/vendor/contractor to note that the overall cable diameter shall be between 13-14mm.

3.2.9 Rip Cord

- a) Three suitable ripcords shall be provided in the cable, which shall be used to open the HDPE sheaths of the cable. Two ripcords shall be placed diametrically opposite to the each other at below the outer sheath & one ripcord shall be placed below the inner sheath. It shall be capable of consistently slitting the sheath without breaking for a length of 1 meter at the installation temperature. The ripcords (3ply & twisted) shall be properly waxed to avoid wicking action and shall not work as water carrier.

Technical Specification for Optical Fibre Cable and HDPE Duct	Doc No.	Rev	 1421 of 1517
	GAIL-STD-TL-DOC-DS-001	0	
Page 12 of 35			

- b) The ripcords used in the cable shall be readily distinguishable from any other components utilized in the cable construction.

4. INSPECTION & TESTING OF OPTICAL FIBER CABLES

4.1 Cable Aging Test (Type Test)

Objective: To check the cable material change dimensionally as the cable ages.

Method: At the completion of temperature cycle test, the test cable shall be exposed to 85 ± 2 degree C for 168 hours. The attenuation measurement at 1310 & 1550 nm wave length to be made after stabilization of the test cable at ambient temperature for 24 hours.

Requirement: The increase in attenuation allowed: ≤ 0.05 dB at 1310 and 1550 nm.

Note: The attenuation changes are to be calculated with respect to the base line attenuation values measured at room temperature before temperature cycling.

4.2 Cable Jacket Yield Strength and Ultimate Elongation

Objective: To determine the yield strength and elongation of the polyethylene (HDPE) cable sheath (jacket).

Test Method: FOTP-89 or ASTM 1248 Type III class

Test Condition:

1. Sample shall be taken from a completed cable. The aged sample shall be conditioned at $100 \pm 2^\circ\text{C}$ for 120 hours before testing.
2. The cross-head speed shall be 50 mm per minute.

Requirement:

Jacket Material	Minimum Yield Strength		Minimum Elongation (%)
	(MPa)	(psi)	
HDPE un-aged	16.5	2400	400
HDPE aged	12.4	1800	375


4.3 To Check of the quality of the loose tube (containing optical fiber) (Type Test)

a. Drip test on the cable

Objective: The purpose of this test is to determine the ability of jelly in the O.F. cable to withstand a temperature of 70 degree C.

Method: Take a sample of 30 cm. length of the cable with one end sealed by end cap. Remove outer black sheath, binder tapes for 5 cm from open end of the sample. Clean the jelly. Then the sample is kept vertically with open end downwards in the oven for 24 hours at 70°C with a paper under the sample.

Test Specs: Examine the paper placed below the cable inside the oven for dripping of the jelly after 24 hours. There should be no jelly drip or oily impression on the paper.

Technical Specification for Optical Fibre Cable and HDPE Duct	Doc No.	Rev	 1422 of 1517
	GAIL-STD-TL-DOC-DS-001	0	
	Page 13 of 35		

4.4 Termite & Rodent Test (Type Test)

Termite & Rodent test shall be carried out at any recognized lab on finished cable samples. The reports shall be submitted by the manufacturers. Termite resistant shall be provided with an additive in outer sheath.

4.5 Tensile Strength Test

Objective: This measuring method applies to optical fibre cables, which are tested at a particular tensile strength in order to examine the behavior of the attenuation as a function of the load on a cable, which may occur during installation.

Method: IEC 794 -1 -2 - E 1

Test Specs: The cable shall have sufficient strength to withstand a load of value $T(N) = 9.81 \times 2.5 W$ Newton or 2670 N whichever is higher. (Where W=mass of 1 km of cable in Kg) The load shall be sustained for two minutes and the strain of the fibre monitored.

Requirement: The load shall not produce a strain exceeding 0.25% in the fibre and shall not cause any permanent physical and optical damage to any component of the cable. The attenuation shall be noted before strain and after the release of strain. The change in attenuation of each fibre after the Test shall be < 0.05 dB both for 1310 nm and 1550 nm wavelength.

4.6 Abrasion Test

Objective: To test the abrasion resistance of the sheath and the marking printed on the surface of the cable.

Method: IEC - 794-1-2-E2 or by any other international test method.

Requirement: There shall be no perforation & loss of legibility of the marking on the sheath.

Test Specs: a) The conditions for testing shall be in accordance with standard atmospheric conditions.

b) Securely attach the cable sample, measuring approximately 750 mm in length, to the supporting plate by means of cable clamps. The abrading edge shall be loaded with the mass necessary to provide the force stated in the detail specification while avoiding shock on the cable.


Four tests shall be made on each sample, with the sample moved forwards 100 mm between tests and rotated through an angle of 90° , always in the same direction.

4.7 Crush Test (Compressive Test)

Objective: The purpose of this test is to determine the ability of an optical fibre cable to withstand crushing

Method: IEC 794-1-2-E3.

Test Spec.: The fibres and component parts of the cable shall not suffer permanent damage when subjected to a compressive load of 2000 Newton applied between the plates of dimension 100 x 100mm. The load shall be applied for 60 secs. The attenuation shall be noted before and after the completion of the test.

Technical Specification for Optical Fibre Cable and HDPE Duct	Doc No.	Rev	 1423 of 1517
	GAIL-STD-TL-DOC-DS-001	0	
Page 14 of 35			

Requirement: The change in attenuation of the fibre after the test shall be < 0.05 dB/Km both for 1300 nm and 1550 nm wavelength.

4.8 Impact Test

Object: The purpose of this test is to determine the ability of an optical fibre cable to withstand impact

Method: IEC 794-1-2-E4

Test Spec.: The cable shall have. Sufficient strength to withstand art impact caused) by a mass weight of 50 Newton, when falls freely from a height of 0.5 meters. The radius R of the surface causing impact shall be 300 mm. ten such impacts shall be applied at the same place with a gap between one impact to another of approximately at 60 seconds. The attenuation shall be noted before and after the completion of the test.

Requirement: The. Change in attenuation of the fibre after the test shall be < 0.05 dB/Km both for 1300 nm and 1550 nm wavelength.

4.9 Repeated Bending

Objective: The purpose of this test is to determine the ability of an optical fibre cable to withstand repeated bending.

Method: EIA-455-104

Test Specs.: The cable sample shall be of sufficient length (5 m minimum) to permit radium power measurements as required by this test. Longer lengths may be used if required.

Parameters	5 Kg
Minimum distance from Pulley center to holding device	216 mm
Minimum device from Wt. To Pulley center	457 mm
Pulley Diameter(U-cable diameter)	20 D
Angle of Turning	90°
No. of cycles	30
Time requirement for 30 cycles	2 minutes.

Requirement: During this test, no fibre shall break and the attenuation shall be noted before and after the completion of the test. The change in attenuation of the fibre after the test shall Be < 0.05 dB both for 1300 nm and 1550 nm wavelength.

4.10 Torsion Test

Object: The purpose of this test is to determine the ability of an optical fibre cable to withstand torsion.

Method: IEC 794- 1-2-E7

Test Spec.: The length of the specimen under test shall be 2 meters and the load shall be 100 N. The sample shall be mounted in the test apparatus with cable clamped in the fixed clamp sufficiently tight

to prevent the movement of cable sheath during the test. One end of the cable shall be fixed to the rotating clamp, which shall be rotated in a clockwise direction for one turn. The sample shall then be returned to the starting position and then rotated in an anti-clock wise direction for one turn and returned to the starting position. This complete movement constitutes one cycle, the cable shall withstand ten such complete cycles. The attenuation shall be noted before and after the completion of the test.

Requirement: The cable shall be examined physically for any cracks. Tearing on the outer sheath and for the damage to other component parts of the cable, the twist mark shall not be taken as damage. The change in attenuation of the fibre after the test shall be < 0.05 dB/Km. both for 1300 nm and 1550 nm wavelength.

4.11 Kink Test

Object: The purpose of this test is to verify whether kinking of an optical fibre cable results in breakage of any fibre, when a loop is formed of dimension small enough to induce a kink on the sheath.

Method: IEC 794-1-2-E10.

Test Spec.: The sample length shall be 10 times the minimum bending radius of the cable. The sample is held in both hands. A loop is made of a bigger diameter and by stretching both the ends of the cable in opposite direction. The loop is made to the minimum bend radius, and no kink shall form, the cable is then normalized and attenuation reading is taken.

Requirement: The kink should disappear after normalizing the cable. The change in attenuation of the fibre after test shall be < 0.05 dB both for 1300 nm 1550 nm wavelength.

4.12 Cable Bend Test

Objective: The purpose of this test is to determine the ability of an optical fibre cable to withstand repeated flexing. The procedure is designed to measure optical transmittance changes and requires an assessment of any damage occurring to other cable components.

Method: IEC 794-1-2-E11 (Procedure-1)


Test Spec.: The fibre and the component parts of the cable shall not suffer permanent damage when the cable is repeatedly wrapped and unwrapped 4 complete turns of 10 complete cycles around a mandrel of $20 D$, where D is the diameter of the cable. The attenuation shall be noted before and after the completion of the test.

Requirement: The change in attenuation of the fibre after the test shall be < 0.05 dB both for 1300 nm and 1550 nm wavelength. Sheath shall not show any cracks visible to the naked eye when examined whilst still wrapped to the mandrel.

4.13 Temperature Cycling

Objective: To determine the stability behavior of the attenuation of a cable subjected to temperature changes, which may occur during storage, transportation and usage.

Method: IEC 794-1-2-F1 (To be tested on cable length of 200 m).

Technical Specification for Optical Fibre Cable and HDPE Duct	Doc No.	Rev	 1425 of 1517
	GAIL-STD-TL-DOC-DS-001	0	
Page 16 of 35			

Test Specs.: The permissible temperature range for storage and operation will be from -20°C to $+70^{\circ}\text{C}$. The rate of change of temperature during the test shall be 1° per minute approx. The cable shall be subjected to temperature cycling for 12 Hrs. at each temperature as given below:

- | | |
|---|-----------|
| i) at room temperature | : 1 hr. |
| ii) at zero degrees | : 12 hrs. |
| iii) at 65 degrees | : 12 hrs. |
| iv) from 65 degrees to room temperature | : 1 hr. |

The test shall be conducted for 2 cycles at the above temperatures.

Requirement: The change in attenuation of the fibre under test shall be < 0.05 dB/Km for 1300 nm and 1550 nm wavelengths for the entire range of temperature.

4.14 Water Penetration Test

Objective: The aim of this test is to ensure that installed jelly filled Metal free Optical fibre cable will not allow water passage along its length.

Method: IEC 794-1-2-F5 (Fig. B) 1992.

Test Specs: A circumferential portion of the cable end (with HDPE sheath after removing the nylon jacket) shall face the water head. The watertight sleeve shall be applied over the cable. The cable shall be supported horizontally and two meter head of water. Containing a sufficient quantity of water soluble fluorescent dye for the detection of seepage; shall be applied on the HDPE sheath for a period of 7 days at ambient temperature. No other colored dye is permitted.

Requirement: No dye shall be detected when the end of the 3 m length is examined with ultraviolet light detector. The cable sample under test shall be ripped open after the test and it shall be examined for seepage of water into the cable and the distance to be noted. It shall not be more than 20cm. For Semi Dry core cable, it shall not be more than 1 meter.

4.15 Water Immersion Test

Method: IEC 60793 -53

4.16 Flexural Rigidity Test on the Optical Fibre Cable

Objective: To check the Flexural Rigidity of the metal free optical fibre cable.


Method: To be tested as per ASTM D-790

Test Specs.: The fibre and the component parts of the cable shall not suffer permanent damage in the cable subjected to Flexural Rigidity Test as per the above method. The attenuation shall be noted alter and before the completion of the test.

Requirement: The change in attenuation of the fibre after the test shall be < 0.05 dB both for 1300 nm and 1550 nm wavelength. The sheath shall not show any cracks visible to the naked eye.

4.17 Test of Figure of 8 (Figure on the Cable)

Objective: Check of easiness in formation of figure of 8 of the cable during installation in the field.

Technical Specification for Optical Fibre Cable and HDPE Duct	Doc No.	Rev	 1426 of 1517
	GAIL-STD-TL-DOC-DS-001	0	
Page 17 of 35			

Test method: 1000 meter of the cable shall be uncoiled from the cable reel and shall be arranged in figure of 8(eight) shape. The dimensions of each loop of the figure of 8 shall be maximum 2 meters.

Requirement: It shall be possible to make figure of 8 of minimum 1000 meters of the cable uncoiled from the cable reel without any difficulty. No visible damage shall occur.

4.18 Static Bend Test

Objective: To check the cable under Static bends

Method: As per clause no. 4.8 of the GR. alternatively as per ASTM D790

Test Specs.: The cable shall be subjected to static bend test. The optical fibre cable shall be bent on a mandrel having a radius of 10 D (D- is diameter of the cable).

Requirement: The change is attenuation of the fibre after the test shall be < 0.05 dB both for 1300 nm and 1550 nm not wavelength. Sheath shall not show any cracks visible with the naked eye when examined whilst wrapped on the mandrel.

4.19 Sheath Integrity (Spark Test)

The sheath shall withstand a spark test voltage of at least 8 KV nms or 12 KV DC.

4.20 Jointing Closures

Jointing closures shall be suitable for the cables, jointing closures shall be dust tight (No dust ingress) and protected against –immersion in water (Suitable for continuous immersion in saline water 0 and should be complete with all accessories including splice cassettes, splice protection and all accessories for electrical continuity of metallic layer of optical fibre cable. The jointing enclosures shall be provide with suitable jointing pit support hardware to secure the jointing closures to a 1200 mm dia circular jointing pit.

Jointing Closure Tests

Bidder shall provide detailed test procedures for testing Jointing Closures, and may improve upon the same. The following shall be conducted as a minimum:

a) Water ingress test


The cable jointing box shall be assembled along with a continuous piece of cable passing through. The jointing box shall then be secured at the bottom of a immersion tank containing water upto a height of 2.0m at normal room temp. for a period of 24 hrs. The joint box will then be opened as per the specified procedure and visually examined for any ingress of water. It shall be declared to have passed the test in case there is no water present inside the box.

b) Impact test

The cable joint box shall be kept on a metal platform. A weight of 5 kgs spherical type having radius of R 50 mm at striking end will be made to stike the box at the middle after having been released from a height of 500mm for 10 times. The joint box will be declared to have passed the test in case there are no cracks or fracture inside or outside of the box.

c) Drop and topple test

A drop test platform consisting of a steel plate not less than 6.5 mm thick is to be used. The steel plate is bolted to a fully set concrete block at least 460mm thick. The joint box shall then be

Technical Specification for Optical Fibre Cable and HDPE Duct	Doc No.	Rev	 1427 of 1517
	GAIL-STD-TL-DOC-DS-001	0	
Page 18 of 35			

allowed to topple and fall freely from a height of 200mm. The joint box will be declared to have passed the test in case there is no visible damage to the enclosure.

d) Pulling test

The joint box should be assembled with a long length of cable so that it can be pulled to the required tension of 100 KGS to check the strength of fixing arrangement inside the joint box.

e) Static load test

The assembled cable joint closure shall be kept on a platform with dimension more than that of cable joint closure. A curved hollow profiled mandrel shall be used for application of load and the mandrel shall be at the middle straight part of the joint closure. Weights shall be gradually placed on the mandrel till the weight becomes 250 kgs. The joint box shall be kept under the weight for a period of 24 hrs. The joint closure shall be declared to have passed the test in case there is no visible damage.

4.21 Test for Loose Tube

a) Embitterment Test of Loose Tube

The test method is based on bending by compression and reflects embitterment much better than the other used tensile test. The test is independent of wall thickness of the loose tube.

Sample: The minimum length of the test sample depends on the outside diameter of the loose tube and should be 85 mm for tubes upto 2.5 mm outside dia. The length of the bigger tubes should be, calculated by using the following* equation:

$$L_0 > 100 \times \sqrt{(D^2 + d^2)} / 4$$

Where

L_0 = Length of tube under test

D = Outside dia of loose tube

d = Inside dia of loose tube

Procedure: Both the ends of a butler tube test sample may be mounted in a tool which is clamped in jaws of a tensile machine which exert a constant rate of movement. The movable jaw may move at a rate of 50 mm per minute toward the fixed jaw. Under load the tube will be bent, so that the tube is subjected to tensile and compressive stresses. The fixture for holding the tube should be designed in a manner that the tube might bend in all directions without further loading.


Requirement: The tube should not get embitter. No kink should appear off the tube upto the safe bend dia of tube (20 D) where D is the outside diameter of the loose tube. There should not be any physical damage or mark on the tube surface.

b) Kink Resistance Test-on the loose tube

Objective: To safeguard the delicate optical fibres, the quality of the loose tube material should be such that no kink or damage to the tube occurs while it is being handled during installation and in splicing operations.

Procedure: To check the kink resistance of the loose tube. A longer length of the loose tube is taken (with fibre and gel). A loop is made and loop is reduced to the minimum bend radius of loose tube i.e. 20 D. (where D is the outside dia of the loose tube). This test is to be repeated 4 times on the same sample length of the loose tube.

Requirement: No damage or kink should appear on the surface of the tube.

Technical Specification for Optical Fibre Cable and HDPE Duct	Doc No.	Rev	 1428 of 1517
	GAIL-STD-TL-DOC-DS-001	0	
Page 19 of 35			

c) Drainage Test For Loose Tube

Sample Size: 30 cm tube length.

Test Procedure

- i. Cut the tube length to 40 cm
- ii. Fill the tube with the tube filling gel ensuring there are no air bubbles and the tube is completely full.
- iii. Place the filled tube in a horizontal position on a clean worktop and cut 5 cm from each end so that the finished length of the sample is 30 cm.
- iv. Leave the filled tube in a horizontal position at an ambient temperature for 24 hrs. (This is necessary because the gel has been sheared and the viscosity has been reduced during the filling process).
- v. The sample tube is then suspended vertically in an environment heat oven, over a weighted beaker. It is left in the oven at a temperature of 70°C for a period of 24 Hrs.
- vi. At the end of the 24 Hrs periods the beaker is checked and weighted to see if there is any gel in the beaker.

Requirement:

- i. If there is no gel or oil in the beaker the tube has PASSED the drainage test.
- ii. If there is gel or oil in the beaker the tube has FAILED the drainage test.

d) Check Of Easy Removal Of Sheath:

Check of the easy removal of sheath of the optical fibre cable by using normal sheath removal tool.

To check easy removal: The sheath shall be cut in circular way and about 300 mm lengths of the sheath should be removed in one operation. It should be observed during sheath removal process that no undue extra force is applied and no component part of the cable is damaged. One should be able to remove the sheath easily.

Note: - Easy removal of both the outer jacket and the inner sheath shall be checked separately.

e) Acidic And Alkaline Behavior Test

To check the effect of the aggressive media, solution of PH4 and PH10 shall be made. The two test samples of the finished cable each of 600 mm in length are taken and die ends of the Samples are sealed. These test samples are put in the PH4 and PH10 solutions separately. After 30 days these samples are taken out from the solutions and examined for any corrosion etc. on the sheath and other markings of the cables. (Test method no. ISO 175).

Requirement: The sample should not show any effect of these solutions on the sheath and other marking of the cable.

5. GENERAL REQUIREMENTS

5.1 Cable Marking

A long lasting suitable marking shall be applied in order to identify this cable from other cables. The cable marking shall be imprinted (indented). The marking on the cable shall be indelible of durable quality and at regular intervals of one meter length. The accuracy of the sequential marking must be within -0.25% to +0.5% of the actual measured length. The sequential length markings must not rub off during normal installation and in life time of optical fiber cable. The total length of the cable supplied shall not be in negative tolerance.

The marking shall be in contrast colour over the black HDPE Sheath (jacket) and shall be one by hot foil indentation method. The colour used must withstand the environmental influences experienced in the field.

The type of legend marking on O.F. cable shall be as follows:

- a) Company Legend
- b) Legend containing telephone mark & international acceptable Laser symbol
- c) Type of Fiber– G.652 D
- d) Number of Fibers
- e) Type of cable
- f) Year of manufacture
- g) Sequential length marking
- h) User's Identification
- i) Cable ID

5.2 Cable Ends


Both cable ends (the beginning end and end of the cable reel) shall be sealed and readily accessible. Minimum 5 meter of the cable of the beginning end of the reel shall accessible for testing. Both ends of the cable shall be kept inside the drums and shall be located so as to be easily accessible for the test. The drum (confirming to GR No. G/CBD-O1/02 Nov. 94 and subsequent amendment) should be marked to identify the direction of rotation of the drum. Both ends of cable shall be provided with cable pulling (grip) stocking and the anti twist device (free head hook). The wooden drums shall be properly treated against termites and other insects during transportation and storage. The manufacturer shall submit the methodology used for the same.

An anti twist device (Free head hook) shall be provided, attached to the both the ends of the cable pulling arrangement. The arrangement of the pulling eye and its coupling system along with the anti twist system shall withstand the prescribed tensile load applicable to the cable.

5.3 The Nominal Drum Length

Length of Optical Fiber Cable (OFC) in each drum shall be 4Km with tolerance of $1\pm\%$. The fibers in cable length shall not have any joint. The drum shall be marked with arrows to indicate the direction of rotation. Packing list supplied with each drum shall have at least the following information:

- a) Drum No.
- b) Type of cables
- c) Physical Cable length
- d) No. of fibers
- e) Length of each fiber as measured by OTDR
- f) The Cable factor - ratio of fiber/cable length
- g) Attenuation per Km. of each fiber at 1310 & 1550 nm

Technical Specification for Optical Fibre Cable and HDPE Duct	Doc No.	Rev	 1430 of 1517
	GAIL-STD-TL-DOC-DS-001	0	
Page 21 of 35			

- h) Owner's Name
- i) Manufacturers Name, Month, Year and Batch No.
- j) Group refractive index of fiber
- k) Purchase Order No.
- l) Cable ID

5.4 Colour coding in O.F. Cables

The colorant applied to individual fibers shall be readily identifiable throughout the lifetime of the cable and shall match and conform to the Munsell Colour Standards (EIA-359-A) and also IEC Publication 304 (4).

5.5 Colour Coding Scheme

Color code to be adapted for individual fibers in each loose tube shall be:

1. Blue
2. Orange
3. Green
4. Natural

Colour code to be adapted for individual loose tube shall be:

When the loose tubes are placed in circular format, the marking to indicate the loose tube no. "1" shall be in blue colour followed by loose tube no.2 of orange and so on for other tubes as per below:

1. Loose tube number 1 shall be Blue
2. Loose tube number 2 shall be Orange
3. Loose tube number 3 shall be Green
4. Loose tube number 4 shall be Brown
5. Loose tube number 5 shall be Slate
6. Loose tube number 6 shall be White

6. QUALITY REQUIREMENTS


The cable shall be manufactured in accordance with the international quality standards ISO 9001-2008 (latest issue) for which the manufacturer should be duly accredited. The Quality Manual shall be submitted by the manufacturer.

7. RAW MATERIAL

The cable shall use the raw materials approved against the GR No. TEC/GR/TX/ORM-01/04 SEP.09 and the subsequent amendment issued, if any.

8. DOCUMENTATION

Complete technical literature in English with detailed cable construction diagram of various sub-components with dimensions, weight & test data and other details of the cable shall be provided. All aspects of installation, operation, maintenance and fiber splicing shall also be covered in the handbook. The pictorial diagrams of the accessories (with model no. and manufacturer name) supplied along with the cable as package shall be also be submitted. A hard as well as soft copy of the manuals shall be provided.

Technical Specification for Optical Fibre Cable and HDPE Duct	Doc No.	Rev	 1431 of 1517
	GAIL-STD-TL-DOC-DS-001	0	
Page 22 of 35			

9. SAFETY

It shall not be hazardous to health. The contractor shall submit MSDS (Material Safety Data Sheet) for all the material used in manufacturing of cable to substantiate the statement.

10. REFERENCE DOCUMENTS

Drawings and Standard as per table below:

Sr. No.	Document/Drawing Name	Drawing No
1.	Raw Material	TEC Specs No. TEC/GR/TX/ORM 01/04/SEP-09 and latest amendments if any.
2.	Colour Standards	EIA 359-A and IEC Publication 304(4) with latest amendments, if any
3.	ITU-IT Recommendation	G.652 D & G655
4.	Operation & handling	TEC Specs No. G/OFT-01/03 APR 2006
5.	Specification for Optical Joint Closure	TEC Specs No. GR/OJC-02/02 SEPT 03 with latest amendments, if any
6.	OFC with Respect of Pipeline	
7.	OFC Installation inside Terminal	
8.	OFC Installation Cased Crossing	
9.	OFC Diagram	

11. PERMANENTLY LUBRICATED HDPE DUCT


The bidder shall be totally responsible for the desired performance of the offered permanently lubricated HDPE duct including design, engineering, manufacture, testing and supply.

The intent of the following specifications is to establish the minimum requirements and guidelines for the permanently lubricated HDPE duct and associated items offered for this project.

Design, Engineering, Manufacture, Testing and supply of solid lubricated HDPE duct, HDPE duct couplers. End plugs, cable staling plugs and end caps for sealing conduits.

The length of Permanent lubricated HDPE Duct shall be as per actual requirement

11.1 Technical Specifications of HDPE Duct

Technical Specification for Optical Fibre Cable and HDPE Duct	Doc No.	Rev	 1432 of 1517
	GAIL-STD-TL-DOC-DS-001	0	
Page 23 of 35			

50mm OD / 42 mm ID permanently lubricated two layered HDPE duct of 1 km +/- 100 Mt. Length complying the DOT's GR-G/CDS-08/01 Dec 99 (with all amendments issued by TEC up to Dec 2005).

HDPE duct shall also conform to the following specifications:

IS: 7328.

IS: 4984

ASTM: D-1693

The HDPE duct shall be permanently Lubricated with an inner layer of solid permanent lubricant continuous throughout its length co-extruded during the manufacturing process to minimize internal coefficient of friction.

HDPE duct shall be supplied in orange colour and one colour shall be maintained throughout its drum length.

Two layered permanently lubricated HDPE ducts as per above specifications should be converted in continuous coil length of 1 Km +/- 100 Mt. 3.2. The converter should have requisite expertise of converting permanently lubricated two layered HDPE duct.

The HDPE duct shall have smooth surfaces and shall be free from defects. Break, Shrink holes, flaking, and chips. Scratches, Roughness &. Blisters

Typical requirements are indicated below. However the same shall conform to latest revision and amendments of GR No. G/CDS-08/01

Sr No.	Parameters	Reference Standard	Typical Requirements
1	Dimensions and tolerance	GR	
A	Length of each duct		1000 ± 100 Mtrs
B	Nominal Outside Diameter		50 ± 0.4 mm
C	Wall Thickness		4 ± 0.3 mm
D	Thickness of inner lubricant layer		≥0.35 mm
E	Bending Radius		1.25 Mtrs minimum
F	Color		Light Blue / Parrot Green
2	Ovality	IS :4984	1.0 mm
3	Heat Reversion	IS:4984	Max 3%
4	Hydraulic Test Type Test Duration : 165 Hrs at 80°C Induced stress :3.5 Mpa Acceptance test Duration : 48 Hrs at 80°C Stress induced : 3.8 Mpa	IS:4984	No failure or leakage seen
5	Tensile Strength Elongation	IS: 14151 Part 1	Min 20 N/mm ² Min 600%
6	Environmental stress crack resistance	ASTM D 1693	No Failure

Sr No.	Parameters	Reference Standard	Typical Requirements
7	Impact Strength (Striker weight 10 kg)	IS: 12235 part 9	No crack or split
8	Crush Resistance 50 kg load	GR	Deflection with load < 10% Deflection after recovery < 2%
9	Oxidation induction test (> 30 minutes)	GR	Satisfactory
10	Internal coefficient of friction	GR	< 0.06
11	Density of finished product	IS:7328	0.940 to 0.958 g/cc at 27°C
12	Melt flow rate MFR	IS:2530	0.2 to 1.10 10 minute at gm/and 5 kg 190°C load
13	Maximum pulling force		300 Kg

11.2 Identification

The outer surface of the conduit shall be permanently & legibly marked with colour in contrast to the outer sheath of the cable at regular intervals not exceeding one meter with name of client name of manufacturer part number. Following details shall be added over the HDPE duct:

- a) Owner's Name
- b) OWNER LOGO
- c) Manufacturer's name
- d) Duct size
- e) Sequential length marking at every meter.
- f) Sr no. of the HDPE duct

11.3 Plastic Couplers

HDPE duct couplers, end plugs. Cable sealing plugs, end caps for sealing conduits shall be suitable for 50 mm OD HDPE conduit.

Joint of HDPE duct shall be by fusion type HDPE duct coupler.

The couplers used for joining two ducts shall be push fit type having push lock mechanism which enables them to be installed on duct without pre-dismantling.

Design shall be simple, easy to install and shall provide air tight and water tight leak proof joints. It shall withstand air pressure test of 15 kg/cm² for a minimum.

11.4 Testing

Following sample tests shall be conducted on three randomly selected permanent lubricated HDPE conduits drums. These shall be tested as per the latest edition of TEC standard for Permanently lubricated HDPE ducts for use as underground optical fiber cable conduits.

- a) Visual Inspection
- b) Impact strength
- c) Crush resistance
- d) Quality test
- e) Coil test
- f) Hydraulic characteristics Internal co-efficient of friction

In case permanent lubricated HDPE duct. Tested and inspected in accordance with this specification. Fail to pass the test or comply with the specification requirement, the tests shall be repeated on a further representative set of conduit pieces. And if it again fails, the whole lot shall be rejected subject to the discretion of the Owner/Owner's representatives.

Bidder shall provide detailed test procedures for each of the above mentioned tests after award of contract for approval and the tests shall be conducted as per approved procedures.

11.5 Packing

All drums shall be individually packed to avoid damage during transit and storage in accordance with best commercial practice and with the requirements of applicable. The materials used for packing, wrapping, sealing etc. shall be of recognized brands and shall conform to best standards in the areas in which the articles are packaged. This packing shall protect the HDPE duct from impact of vibration, rough handling, rodents, etc.

The minimum diameter of the coiled duct shall be 25 times the outer diameter of the duct.

Each drum shall have a copy of factory acceptance test report enclosed in it.

12. FIBER TERMINATION CLOSURE

12.1 General

The FTC shall be wall-mounted type as suitable for the Optical Fiber cable used for this project (24 fibers). The FTC shall have grounding arrangement for all the metallic layers of the cable. The cable shall be spliced to pigtails on trays provided in the FTC. The connector side for the pigtails shall be secured with suitable coupler/through adapter provided as integral part of the FTC itself.

The FTC shall be of 24-fibre termination type. The FTC shall have trays suitable for splicing maximum of 6 fibers per tray. The arrangement inside the FTC should be simple and in straight line.

FTC should have entry points for a minimum of 2 no. of Optical Fiber Cable (armoured /un-armoured) of diameter up to 20 mm with cable clamps to avoid entry of rodents/ dust in general. It should have a minimum of 2 nos. of outlets for taking out 24 nos. of pigtail. The outlets should have cable clamps.

Grounding arrangement should be provided with the FTC. It should include as a minimum 2 nos. Grounding shield bonds with nut and bolts for fixing to the armour of the OFC and 2 nos. of grounding cable of suitable length “& of green colour eight lugs clamped to its end for connecting the armour of OFC with the grounding terminal of the FTC.

The FTC shall be of reputed make like: 3M, Corning, Siemens, Raychem & Tyco.

Insertion loss of Coupler / Adaptor shall be maximum 0.25 dB per connector.


The FTCs shall be provided with Pigtails for all terminations

12.2 Pigtail & Connectors:

12.2.1 This specification provides requirements for single mode fibre pigtails and connectors. They should meet the ITU- T recommendations G-652 & G 655 as required.

12.2.2 Both connectors and cables should be robust and should withstand wear and tear due to frequent use, connection and disconnection. Normal expected life should be 15 years or more.

12.2.3 Pigtail & connectors shall essentially be of same make as FTC.

Technical Specification for Optical Fibre Cable and HDPE Duct	Doc No.	Rev	 1435 of 1517
	GAIL-STD-TL-DOC-DS-001	0	
Page 26 of 35			

12.2.4 Optical Parameters of Connectors With Pigtails shall be as below:

Insertion loss	:	Maximum 0.3 dB Per connector plus fiber loss
Return loss	:	Better than 40 dB
Temperature Dependency	:	< 0.3 dB From – 20 to + 60
Change in connection loss With passage of time at 60 °C for 100 hrs	:	It should be < 0.3 dB
Change in connection loss Due to vibration	:	< 0.05 dB
Reproducibility of Connection loss by repeated Connections and Disconnection for 500 times.	:	< 0.3 dB
Change in Connection loss In relation to Tensile strength	:	(1) Loaded : – 50 dB (2) Unloaded : – 30 dB

12.3 Optical Patch Cords

The patch chords provided shall be 20 Mtrs. in length
Make: Birla-3M / Cancam / Advanced Fiber System / Corning

13. INSTALLATION

13.1 General Requirement

13.1.1 OFC laying and HDPE duct laying shall be in Terminal area, SV station, Dispatch Terminal and Receiving Terminal area, as applicable other than for pipeline route.


13.1.2 The permanently lubricated HDPE duct used for leading in of the OFC into room housing the telecom equipment shall be below ground level without getting exposed outside (the entry point shall be properly sealed after OFC installation to avoid entry of rodents, insects etc.).

13.1.3 At all Tie-in locations, the trench shall be excavated further wherever possible, and permanently lubricated HDPE duct shall be laid away (approx 1 meter) from the pipeline to avoid damage to the HDPE conduit and to the pipeline.

13.1.4 At crossings one spare duct to be laid in addition with OFC with HDPE duct.

13.1.5 Route survey to collect cable routing information such as crossing of railways, roads, nala, rivers etc, and requirements of any local detours etc., and also to determine the exact length of cable required. Vendor shall obtain the cable as per the requirement (based on survey conducted by the vendor).

13.1.6 The Contractor shall determine a suitable cable installation method to ensure that all cable installation requirements shall be met in all conduit sections. All work shall be carried out in accordance and consistent with the highest standards of quality and craftsmanship in the communication industry with regard to the electrical and mechanical integrity of the connections, the finished appearance of the

Technical Specification for Optical Fibre Cable and HDPE Duct	Doc No.	Rev	 1436 of 1517
	GAIL-STD-TL-DOC-DS-001	0	
Page 27 of 35			

installation as well as the accuracy and completeness of the documentation.

13.1.7 The scope of installation of OFC shall include all that is necessary to lay the optical Fibre cable in the same trench as the pipeline and it shall be generally as described below:-

13.1.8 Laying of optical fibre cable along the pipeline in the same trench as that of the pipeline including crossing of railways, roads, Nala, rivers etc and splicing jointing, earthing (as required) along with all associated cabling work. The cable laying shall be by Compressed air blowing method. Necessary tools and tackles for cable laying shall be arranged by the Contractor.

13.1.9 The cable shall be laid at level approx. depth of 1.6 m from ground level.

13.1.10 Laying of optical fibre cable within the terminals / Repeater station areas where telecom cable leaves the pipeline trench and is required to be laid in a separate trench up to the control building cabinets (Telecom room).

13.1.11 Sealing of the cable ends as required to prevent moisture ingress shall be contractor scope

13.2 Scope of Work for Installation

The contractor scope for installation of FO cable shall include but not limited to

13.2.1 Survey the cable route and prepare cable route sheers on the basis of the pipeline route alignment sheets. Where service crossing exists, in addition to the general guidelines stated in this specification, the Contractor shall follow all the particular requirements of the purchaser.

13.2.2 Trench excavation in pipeline trench, as needed.

13.2.3 Laying bed preparation.

13.2.4 Laying the HDPE pipe.

13.2.5 Installation of cable in 50mm outer dia mm, Permanent lubricated HDPE Duct. The HDPE ducts shall be suitable to withstand a load of 10 kg/cm². All HDPE duct couplers shall be of Fusion type only.

13.2.6 Warranty & guarantee for performance of the laid cable.

13.2.7 Transit & storage insurance of all materials (cable & accessories) till the System is fully handed over.

13.2.8 Provision of necessary power supply at site for the splicing etc.


13.2.9 Procurement and supply & installation of any other materials required for laying jointing & end sealing of cable including jointing-pit. splice-closures. cable-markers, sand, bricks, HDPE duct etc.

13.3 OFC Pit

An RC pit will be provided at the places of jointing of OFC and as required for blowing/inspection. Water retaining structure of minimum size L 1.5m x W 1.5m (with Depth of the pit as required to carry out jointing, inspection & testing of OFC).

Blowing and inspection pit at every 2 Km.

Joining pit at every 4 Km.

Technical Specification for Optical Fibre Cable and HDPE Duct	Doc No.	Rev	 1437 of 1517
	GAIL-STD-TL-DOC-DS-001	0	
Page 28 of 35			

The pit shall be provided with a concrete cover slab with a man-hole. The top of this slab shall be minimum 300mm above the finished ground level or depth of water logging during monsoon whichever is higher.


A cat ladder shall be provided, if depth of pit is more than 1 m, on the side where OFC is not to be routed.

13.4 Protective Measures During Installation

- 13.4.1 The Contractor shall comply with the cable manufacturer's recommended installation procedures at all times.
- 13.4.2 To reduce the possibility of damage to the outer jacket of the fiber optic cable protective measures shall be used when the cable is installed. The requirements herein shall be renewed, but does not limit the installation to only those identified. The purpose of the installation specifications is to ensure protection of the fibre optic cable when it is installed. Other protective measures not specified herein may be taken during installation if it will ensure protection of the cable.
- 13.4.3 The cable shall be protected against damages from termite, rodent, fire chemicals (such as oil & natural gas, LPG and other petroleum products), moisture and water over the lifetime of the cable.
- 13.4.4 A cable feeder guide shall be used between the cable reel and the face of the duct and conduit to protect the cable and guide it of the reel and into the duct.
- 13.4.5 Precautions shall be taken during installation to prevent the cable from being kinked, crushed or twisted. A pulling eye shall be attached to the cable end and be used to pull the cable through the duct and conduit system. As the cable is pulled off the reel and into the cable feeder guide, it shall be lubricated with a lubricant that shall be of the water based type and approved by the cable manufacturer.
- 13.4.6 Dynamometers or breakaway pulling swings shall be used to ensure the pulling line tension does not exceed the installation tension values specified by the cable manufacturer. The mechanical stress placed upon the cable during installation shall not be such that the cable is twisted and stretched. Maximum allowable cable strain during: installation shall be less than 0.75%.

13.5 Cable Laying Procedure

- 13.5.1 The trench shall be enlarged at the splicing points as needed to carry out the splicing works. The enlargement shall be carried out on the same side of the cable for the entire route.
- 13.5.2 A laying bed shall be prepared by the contractor, in case, separate trench is planned in any area. The laying bed of 10cm depth shall be made of sand or riddled earth obtained by passing through a sieve having meshes not exceeding 15 mm², or of a natural soft around not requiring riddling.
- 13.5.3 Contractor shall plan the cable-laying operation such that the complete drum-length of cable can be laid without cutting in between. The cable can be laid using a mobile reel system or a fixed reel system in relation to the characteristics of each section (excavation partially open, crossings, etc.)
- 13.5.4 The cable shall be carefully inspected for jacket defects as it is removed from the reel. If defects are noticed, the pulling operation shall be terminated immediately and the CONSTRUCTION MANAGER (SITE-INCHARGE) notified.
- 13.5.5 The contractor shall establish section by section the ways and means for the cable laying taking into account the characteristics of the layout.
- 13.5.6 In all jointing locations, including the normal joint at the end of the drum length and also at points of cable-cuts due to laying necessities, at least one meter of cable shall be left in a coiled form in the pit to allow for splicing and jointing of the cable.
- 13.5.7 At all telecom building locations (including terminals and intermediate stations) an extra length of about

Technical Specification for Optical Fibre Cable and HDPE Duct	Doc No.	Rev	 1438 of 1517
	GAIL-STD-TL-DOC-DS-001	0	
Page 29 of 35			

20 meter of each cable shall be kept in a coiled form.

- 13.5.8 Vendor shall provide the necessary cable leading pipes for cable(s) entry inside the telecom room. All these leading-in-pipes shall be properly scaled to prevent entry of rodents, snakes, insects and foreign materials. At locations where the telecom room shall not be available. The extra length of the cable shall be kept buried in ground near the proposed telecom room location.
- 13.5.9 If the splicing or termination operation does not follow immediately after the cable laying, all cable ends must be sealed carefully with heat-shrinkable end-caps.
- 13.5.10 To accommodate long continuous installation lengths, bi-directional "center pull" techniques for pulling of the fiber optic cable is acceptable and shall be implemented as follows:
- 13.5.11 From the midpoint pull the fibre optic cable into the conduit from the shipping reel in accordance with the manufacturer's specifications.

When this portion of the pull is complete, the remainder of the cable must be removed from the reel to make the inside end available for pulling in the opposite direction.

This is accomplished by hand pulling the cable from the reel and laying into large "figure eight".

This loop shall be laid carefully one upon the other (to prevent subsequent tangling) and shall be in a protected area.

The inside reel end of the cable is then available for installation.

In some cases, it may be necessary to set up a winch at an intermediate cable vault.

The required length of cable shall be pulled to that point, and brought out of the cable vault and coiled into a figure eight.

The figure eight is then turned over to gain access to the free cable end. This can then be reinserted into the duct system for installation into the next section.

When power equipment is used to install fiber optic cables, the pulling speed shall not exceed 30 meters per minute. The pulling tension, bending radius and twist limitation for fiber optic cable shall not be exceeded under any circumstances.

Large diameter wheels, pulling sheaves and cable guides shall be used to maintain the appropriate bending radius. Tension monitoring shall be accomplished using commercial dynamometers or load-cell instruments.


The pulling eye/sheath termination hardware on the fiber optic cables shall not be pulled over any sheave blocks

Under no condition shall OFC be left exposed or unattended.

Repairs: Repair of cable jacket shall not be permitted. Jacket damage shall require removal and re-installation of a new cable run at the Contractor's expense.

13.5.12 Lubrication

As the cable is pulled into the conduit system, it shall be sufficiently lubricated with a lubricant that shall be the water-based type and approved by the cable manufacturer, Lubricant shall be applied at a rate to provide a continuous 10-mil coating, as recommended by the manufacturer.

Technical Specification for Optical Fibre Cable and HDPE Duct	Doc No.	Rev	 1439 of 1517
	GAIL-STD-TL-DOC-DS-001	0	
Page 30 of 35			

13.6 Crossing

13.6.1 Cable laying for rail, road, Canal & river crossings shall be through a min. 50 mm outer with HDPE pipe, provided as part of the pipeline laying. An additional pulling rope shall be kept inside to meet future requirements. One spare duct shall be laid in addition with OFC with HDPE duct.

13.6.2 After installation the casing pipe shall be cleaned inside of any kind of dirt stones, etc. Bituminized jute shall be used to close the ends of the conduit to prevent any dirt deposit. Similarly, Bituminized jute shall be used to close the conduits ends after introduction of the cable.

13.6.3 Crossing of Underground Services

Where crossing of existing underground pipelines and cables, pipes on sleepers, etc. occur, the same requirements for normal laying shall apply, the cable maintaining the normal position with respect to the pipeline.

13.7 Jointing / Installation At Pull Boxes

13.7.1 The pulling of the cable shall be hand assisted at each pull box.

13.7.2 The extra length of fiber optic cable shall be coiled and secured with cable ties in the pull box. The Contractor shall ensure minimum bending radius of the fibre optic cable.

13.7.3 Imprinted plastic coated identification tags shall be securely attached to the cables in at least two locations in each pull box.

13.7.4 When all cables at each pull box are securely racked, unused conduits and void area around conduit containing cables shall be sealed.

13.7.5 The joint enclosure shall support an optical fibre organizer and allow sealing-off the outer sheaths of the cable.

13.7.6 Vendor shall provide detailed procedure for jointing of the cable along with the details of the jointing pits to be used for housing the joint enclosure and the excess cable after jointing.

13.7.7 Splicing loss shall not be more than 0.7db/Splice.

13.7.8 Vendor shall provide “ELECTRONIC MARKER & ELECTRONIC INDICATOR” of approved make at each Jointing location


13.8 Backfilling

Above the laid cable, a cover of 75 mm minimum depth of sand or riddled earth or of natural earth not requiring riddling (as stated elsewhere) shall be provided. Such an operation shall be under the responsibility of the contractor.

Above this cover a single layer of second-class brick shall be laid in a transverse manner over the cable laid in the trench. The bricks shall be fully soaked in water before being laid in the trench.

There shall be minimum seven bricks per meter laid with uniform spacing over the length of the laid cable.

A warning mat made of PVC sheet of orange colour and 150 mm, 0.1 mm size shall be laid over the cable as shown in annexure-6. At regular interval of 1.5 Mts. There shall be clear permanent print “OWNER’S NAME.”

Technical Specification for Optical Fibre Cable and HDPE Duct	Doc No.	Rev	 1440 of 1517
	GAIL-STD-TL-DOC-DS-001	0	
	Page 31 of 35		

At the splicing points, the contractor shall also take care to backfill the trench and to restore the relevant area and to repair any damaged works.

After entering the telecom room the cable shall be secured on steel mesh or wire mesh by the help ties (-15 m cable being kept in turns in oval form). This mesh shall have suitable chemical coating/ painted to prevent corrosion. In case of painting, the color shall match the wall color. The dimensions of the wire mesh at all the locations shall be 3 feet X 4 feet / 3.5 feet X 3.5 feet.

13.9 Earthing System:

- i. Relevant Indian Standard (IS 3043) or equivalent BIS & IEC standard shall be followed.
- ii. The earthing material to be used shall be Electrolytic Copper having the material specifications confirming to the IS standards.
- iii. The dimension of the Earthing strip, which shall be connected between Earth pit & the equipment or the earthing distributor, shall not be less than 25 mm x 5 mm.
- iv. The earthing pit should have water pouring facility.
- v. Earthing resistance should be less than 2 ohms or should be suitable for the equipment to which the earthing is extended.

13.10 Testing

Once OFC is laid and commissioned, joint testing of OFC shall be carried out for all 24 fibers with pipeline laying contractor and telecom equipment contractor for fiber length measurement, insertion loss measurement. A format shall be enclosed for joint testing of all 24 fibers.

14. QUALITY ASSURANCE PROGRAMME & TESTING

14.1 OFC Cable


Vendor shall submit Quality Assurance Plan (QAP) immediately after receipt of order for Owner's approval. The test and inspection shall be carried out as per the QAP in accordance with the codes and standards outlined in this specification. As per requirements, stage wise inspection shall be carried out by Owner / Owner's representative during the various stages of manufacturing and vendor shall provide free access to them in his facility.

14.2 HDPE Duct

The bidder shall submit QA/QC procedures and inspection plan for Owner/Owner's representative review and approval before manufacturing the solid lubricated HDPE duct. Manufacturing by the vendor and inspection by owner/owner's representative shall be in accordance with the approved QA/QC procedures and inspection test plan.

14.3 Tests

Following test shall be conducted as a minimum as per the codes and standards indicated in this document. Test results must comply to specifications of latest revision and amendments of TEC GR No GR/CDS-08/02 Nov'04 along with other requirements.

Technical Specification for Optical Fibre Cable and HDPE Duct	Doc No.	Rev	 1441 of 1517
	GAIL-STD-TL-DOC-DS-001	0	
Page 32 of 35			

Visual inspection

Dimensions

Tensile Strength and elongation

Reversion Test

Environmental Stress Crack Resistance

Impact Strength Test

Crush Resistance Test

Ovality Test

Oxidation Induction Test

Hydraulic Characteristic Test

Internal Coefficient of friction Test

Density of finished product

Melt Flow Rate (MFR) of finished product

14.4 **Factory Acceptance Tests**

FAT of OFC and HDPE duct shall be conducted at manufacturing premises of OFC and HDPE duct.

No material shall be dispatched unless vendor has complied to all the specification requirements to the satisfaction of inspection authority of Owner and a dispatch note issued by Owner / Owner's representative. Converter has to arrange for all test facilities for inspection at factory.

14.5 **Site Acceptance Tests**

Once OFC is laid and commissioned, joint testing of OFC shall be carried out for all 24 fibers with pipeline laying contractor and telecom equipment contractor for fiber length measurement, insertion loss measurement. A format shall be enclosed for joint testing of all 24 fibers.


14.6 **HDPE Duct Tests**

Owner / Consultant may carry out Site Acceptance Tests on randomly selected samples from the finished HDPE duct supplied at project site in field.

Random checks somewhere in the middle of the coil, by cutting the duct, will be made at site to ensure that ducts supplied are of correct dimension and thickness and there is no compromise on thickness in intermediate length, for saving in materials cost.

100% Duct coils being supplied would be weighed to cross check the quantity of plastic used.

To keep a check on the use of filler material, ash contents would be determined on randomly selected samples as per ASTM D 1603 method and the value of ash content, thus determined, shall not exceed 0.4% or 0.2% more than the ash content of Raw Granules.

Technical Specification for Optical Fibre Cable and HDPE Duct	Doc No.	Rev	 1442 of 1517
	GAIL-STD-TL-DOC-DS-001	0	
Page 33 of 35			

UV Stabilize content: Identification of UV additive shall be done by FTIR Spectra, NMR Spectra and UV Spectra. UV Stabilizer content of finished duct shall not be less than 0.05%.

14.7 REFERENCE DOCUMENTS

Drawings and Standard as per table below:

Sr. No.	Document/Drawing Name	Drawing Number
10.	OFC WITH RESPECT OF PIPELINE	
11.	OFC INSTALLATION INSIDE TERMINAL	
12.	OFC INSTALLATION CASSED CROSSING	
13.	OFC DIAGRAM	
14.	IS: 2530	Methods for test for Polyethylene Moulding Materials and Polyethylene Compounds.
15.	IS: 4984	High density polyethylene pipes for water supply
16.	IS: 5175	Polypropylene ropes
17.	IS:7328	High density polyethylene materials for moulding and extrusion
18.	IS:9938	Recommended colours for PVC insulation for LF wires and cables
19.	IS:12235 (Part-9)	Methods of test for unplasticized PVC pipes for potable water supplies – Impact strength at 0 Deg C.
20.	IS:14151 (Part-1)	Polyethylene pipes for sprinkler irrigation systems (Part-1 Pipes)
21.	ASTM D 638	Standard Test Method for Tensile Properties of Plastics
22.	ASTM D 648	Test method Deflection Temperature of plastics under flexural load.
23.	ASTM D 790	Test Method for Flexural Properties of Un-reinforced and Reinforced Plastics and Electrical Insulating Materials.

24.	ASTM D 1693	Test Method for environmental stress cracking of ethylene plastics
25.	ASTM D 1712	Standard Practice for Resistance of Plastics of to Sulfide Staining.
26.	ASTM D 2240	Standard Test Method for Rubber Property
27.	ASTM 114565	Standard Methods of Testing Physical and Environmental Performance Properties of Insulations and Jackets for Telecommunications wire and cable.
28.	ASTM F 2160	Standard Specifications for solid Wall, HDPE Conduit Based on Controlled OD.
29.	ASTM G 154	Standard Practice for Operating Fluorescent Light Apparatus for UV Exposure of Non-metallic materials.



GAIL INDIA LIMITED

**STANDARD PROCEDURE
FOR
FIBER OPTICAL CABLE TESTING**

GAIL-STD-TL-DOC-TS-002

Rev	Date	Purpose	Prepared By	Checked By	Approved By
0	15.01.2019	Issued As Standard	RKS	UNU	UNU




TABLE OF CONTENTS

1.0 HOP TESTING3

2.0 FIBER LENGTH MEASUREMENT4

3.0 INSERTION LOSS MEASUREMENT.....7

STANDARD PROCEDURE FOR FIBER OPTIC CABLE TESTING	Doc No.	Rev	
	GAIL-STD-TL-DOC-TS-002	0	
	Page 2 of 12		

1 HOP TESTING

After back filling of the trench, fiber optic cable shall be tested for continuity and attenuation over the laid length.

The test shall be conducted both before and after the splicing. It shall be ensured that the cable attenuation does not exceed as recommended for G 655 or G 652 cables (excluding the splice loss) and the splice loss on each fiber shall be 0.1 dB per splice (max.). Test procedures mentioned herein are minimum requirements to be followed. However, Contractor shall provide the detailed procedure for cable testing.

Fiber optic cable test-results shall clearly provide the attenuation for each fiber in following aspects:

- Different Wavelengths (1310 nm and 1550 nm)
- Each cable section
- Individual splice.

Total Attenuation = (wavelength (λ) loss dB/km x fiber length) + (connector loss x number of connectors) + (splice loss x number of splices).

Where,

L = Length of the cable between two nodes;

N = No. of joints between two nodes.

Results shall be within permissible limits. After hop testing results with average losses shall be recorded for each fiber and hop wise report shall be submitted as per approved procedure. Testing shall be witnessed jointly by GAIL and PMC. Contractor shall furnish as built documents and hop loss report hop wise.

2 FIBER LENGTH MEASUREMENT

2.1 Test Description

This test will check the continuity of the fibre from station to station and record the length of fibre. Average loss per kilometre of fibre length shown in dB/km shall be recorded for information only. Testing will be done from both ends and average loss will be calculated (for 310nm/1550nm/1625nm, as applicable).

2.2 Test Equipment


Following test equipment shall be used:

- Optical Time Domain Reflectometer (OTDR);
- Patch cords;
- Pigtails


2.3 Procedure

Test procedure shall be as detailed below. Test formats (1A & 1B) shall be as depicted in Section 2.4 and 2.5.

- Power ON the OTDR and make the settings as required for the hop under test.
- Connect the OTDR with patch cord to the connector in FTC.

STANDARD PROCEDURE FOR FIBER OPTIC CABLE TESTING	Doc No.	Rev	
	GAIL-STD-TL-DOC-TS-002	0	
	Page 3 of 12		

- Make the Laser ON and observe the trace till it gets settled up to the end of the trace.
- Store the results in the hard disk/floppy disk with proper identification of the fibre under test.
- Record the results in format provided
- Repeat the procedure for the opposite direction.
- Repeat above steps for each fiber.

STANDARD PROCEDURE FOR FIBER OPTIC CABLE TESTING	Doc No.	Rev	
	GAIL-STD-TL-DOC-TS-002	0	
	Page 4 of 12		

2.4 Format 1A

Fiber Length Measurement (G.652)

Date:

Location A:

Location B:

Wavelength: 1310 nm & 1550 nm

Equipment Used:

Tube No. / Color	Fiber No. / Color	Fiber Length (m)	Optical Loss dB/km		Average Cable Loss (dB/km)
			From A	From B	

2.5 Format 1B

Fiber Length Measurement (G.655)

Date:

Location A:

Location B:

Wavelength: 1550 nm & 1625 nm

Equipment Used:

Tube No. / Color	Fiber No. / Color	Fiber Length (m)	Optical Loss dB/km		Average Cable Loss (dB/km)
			From A	From B	

3 INSERTION LOSS MEASUREMENT

3.1 Test Description

During insertion loss measurement, light is launched (LASER) in the fibre by using a LASER source from one end at the other end by using an Optical Power meter the received power is measured. Fiber loss is calculated by subtracting the receive power from the transmit power. This test also determines the fiber termination continuity on end-to-end basis as the measurement is done on both the ends of a link.

3.2 Test Equipment


Following test equipment shall be used:

- Power meter working on 1310 nm / 1550 nm / 1625 nm;
- Laser source working on 1310 nm / 1550 nm / 1625 nm;
- Patch cords;
- Pigtails


3.3 Procedure

Test procedure shall be as detailed below. Test formats (2A & 2B) shall be as depicted in Section 3.4 and 3.5.

- One power meter, one laser source and one unit of optical talk set is required at each station between which the link is to be tested.
- At location A, switch ON the laser source, set it to operating wavelength of 1310nm and connect it to the power meter (set at 1310nm for G.652 fibres) by two FC/PC patch cords (these FC/PC patch cords will be connected to each other with FC/PC coupler) and record the laser power transmitted. Subtract 0.5 Db (Coupler Loss) from this reading and record it in the test sheet (Appendix-2A & 2B) as 'Power transmitted'.
- Disconnect the power source and power meter by disconnecting FC/PC patchcords from the FC/PC connector. Do not disconnect patch cords from the power meter and power source.
- Connect the power source to the one of the fibres terminated in FTC at location A and the power meter to the same fibre under test in FTC at location B.
- Record the power received in test sheet.
- To establish communication between two stations A & B, optionally connect optical talk set to one of the fiber (e.g. No 12) at both the stations. When that particular fiber is due for testing connect the talk set to one on which testing is complete (e.g. No 1).
- Confirm on the talk set that the power received is recorded.
- Repeat the test for 1550nm.
- Connect the source to next fibre terminated in FTC at location A and power meter at location B.
- Repeat the same procedure with source at location B and power meter at location A.
- Continue the above process till all fibers are tested.

STANDARD PROCEDURE FOR FIBER OPTIC CABLE TESTING	Doc No.	Rev	
	GAIL-STD-TL-DOC-TS-002	0	
	Page 7 of 12		

- Average loss of each fiber should be less than the average loss estimated.
Above test procedure shall be repeated for G.655 fibers for 1550 nm / 1625 nm as required.
Test formats (3A & 3B) shall be as depicted in Section 3.6 and 3.7.

STANDARD PROCEDURE FOR FIBER OPTIC CABLE TESTING	Doc No.	Rev	
	GAIL-STD-TL-DOC-TS-002	0	
	Page 8 of 12		

3.4 Format 2A

Insertion Loss Measurement (G.652)

Date:

Location A:

Location B:

Wavelength: 1310 nm

Equipment Used:

Cable Length (km) (L):

Number of Splices including Pigtails (N):

Number of Connectors (C):

Average Insertion Loss Estimated (dB/km) ($0.37L+0.07N+0.5C$):

Tube No. / Color	Fiber No. / Color	A-B		B-A		Average Insertion Loss (IL) (dB/km)
		Power Transmitted at A		Power Transmitted at B		
		Power Received at B	Insertion Loss (A-B) (dB/km)	Power Received at A	Insertion Loss (B-A) (dB/km)	

3.5 Format 2B

Insertion Loss Measurement (G.652)

Date:

Location A:

Location B:

Wavelength: 1550 nm

Equipment Used:

Cable Length (km) (L):

Number of Splices including Pigtails (N):

Number of Connectors (C):

Average Insertion Loss Estimated (dB/km) ($0.22L+0.07N+0.5C$):

Tube No. / Color	Fiber No. / Color	A-B		B-A		Average Insertion Loss (IL) (dB/km)
		Power Transmitted at A		Power Transmitted at B		
		Power Received at B	Insertion Loss (A-B) (dB/km)	Power Received at A	Insertion Loss (B-A) (dB/km)	

3.6 Format 3A

Insertion Loss Measurement (G.655)

Date:

Location A:

Location B:

Wavelength: 1550 nm

Equipment Used:

Cable Length (km) (L):

Number of Splices including Pigtails (N):

Number of Connectors (C):

Average Insertion Loss Estimated (dB/km) $(0.24L+0.07N+0.5C)$:

Tube No. / Color	Fiber No. / Color	A-B		B-A		Average Insertion Loss (IL) (dB/km)
		Power Transmitted at A		Power Transmitted at B		
		Power Received at B	Insertion Loss (A-B) (dB/km)	Power Received at A	Insertion Loss (B-A) (dB/km)	

3.7 Format 3B**Insertion Loss Measurement (G.655)**

Date:

Location A:

Location B:

Wavelength: 1625 nm

Equipment Used:


Cable Length (km) (L):

Number of Splices including Pigtails (N):

Number of Connectors (C):

Average Insertion Loss Estimated (dB/km) ($0.26L+0.07N+0.5C$):

Tube No. / Color	Fiber No. / Color	A-B		B-A		Average Insertion Loss (IL) (dB/km)
		Power Transmitted at A		Power Transmitted at B		
		Power Received at B	Insertion Loss (A-B) (dB/km)	Power Received at A	Insertion Loss (B-A) (dB/km)	

STANDARD PROCEDURE FOR FIBER OPTIC CABLE TESTING	Doc No.	Rev	
	GAIL-STD-TL-DOC-TS-002	0	
	Page 12 of 12		



GAIL INDIA LIMITED

**DATASHEET
FOR
FIBER OPTIC CABLE**

GAIL-STD-TL-DOC-DS-001


Rev	Date	Purpose	Prepared By	Checked By	Approved By
0	15.01.2019	Issued As Bid	RKS	UNU	UNU



DATASHEET FOR FIBER OPTIC CABLE				
GENERAL	1	Cable No.	**	
	2	Application	FOC for Pipeline SCADA / Telecommunication	
	3	Quantity (Mts)	Refer Note 2	
CONSTRUCTION	4	Standard	IEC 60793-1-1, 60794-3	
	5	Fiber Type	Single Mode	
	6	No of Core	24	
	7	Color Code	EIA/TI598B	
	8	No of Buffer and Fiber per Loose Tube	4 buffer tubes and 6 fibers / loose tube	
	9	Buffer Inner/Outer Diameter(mm)	1.7/2.7 +/- 0.1mm	
	10	Index Profile	Step Index	
	11	Cladding Diameter(μm)	125 +/- 0.7 microns	
	12	Mode Field Diameter(μm)	9 (1310nm) / 10 (1550nm) +/- 10% of nominal value	
	13	Mode Field Concentricity Error	<=0.5μm	
	14	Cladding Non-Circularity	<=0.7%	
	15	Coating Diameter(μm)	245+/-5μm	
	16	Construction	Loose fiber in buffer tube	
	17	Loose Tube	PBT 2.1 +/- 0.1mm filled with Thixotropic Jelly	
	18	Core Wrapping	Polyester Tape and water swellable tape with binders	
	19	Water Blocking Compound	Flooding Jelly and water swellable tape	
	20	Expected Fiber Life Span	>25 years	
	21	Rodent Protection	Glass Yarn	
	22	Inner Sheath	HDPE minimum 1.5mm thick	
	23	Lead Sheath	N/A	
	24	Armoring	Corrugated ECCS tape of thickness >=0.15mm	
	25	Armoring Overlap	*	
	26	Outer Sheath	Polyamide / Nylon jacket over HDPE sheath	
	27	Cable Length Marking	Every one meter	
28	Cable / Core Diameter (mm)	16 mm*		
29	Central Strength Member (mm)	Non metallic - FRP rod(diameter min 2.5 mm*)		
30	Primary Coating	Primary UV cured acrylate coating with dia of 245μm +/- 5μm coated		
OPTICAL PROPERTIES	31	Wave Length and Band Optimized (nm)	1310 / 1550	
	32	Numerical Aperture	*	
	33	Cut-Off Wavelength(nm)	1200 - 1320nm (maximum for coated fiber, <=1260nm)	
	34	Attenuation@Wavelength:1550NM(dB/km)	<=0.19 ~0.20 dB/km	
	35	Attenuation@Wavelength:1310NM(dB/km)	<=0.33 ~ 0.35 dB/km	
	36	Attenuation Uniformity(dB)	<=0.1	
	37	Variation of Attenuation between 0 degC and 70 degC(dB)	0.01	
	38	Dispersion Wavelength(1300 to 1324 nm) / 1550 nm	better than 3.5 ps/nm.km@1310 / 18ps/nm.km@1550	
	39	Refractive Index	1.47	
	40	Optical path Discrete Reflectance and Return Loss in Accordance with Requirements of Table	ITU G.957	
	41	Zero Dispersion Wavelength(nm)	1300 to 1324 nm	
	42	Chromatic Dispersion(ps/km)	<=3.5	
	43	Individual Splice Loss(dB/splice)	<=0.1 (bi-directional measurement)	
	44	Mean Splice Loss(dB)	<=0.05	
	45	Polarization Mode Dispersion	@1300nm and 1550nm wavelength <0.2ps/sqrt.km for fiber, <0.3ps/sqrt.km for cabled fiber	
MISC.	46	Ambient Temperature		
	47	Electrical Area Class	Zone 1 Group IIA /IIB as per IEC, T3	
	48	Make	Model No.	* *
	49			
	50			

Notes: ** TBD

1. Vendor to specify. *
2. Refer SOR for Quantities required and Scope of Work.
3. Refer Specification for FOC Cable and HDPE duct for more information.

DATASHEET FOR FIBER OPTIC CABLE	Doc No.	Rev	
	GAIL-STD-TL-DOC-DS-001	0	
	Page 2 of 2		



GAIL INDIA LIMITED

**DATASHEET
FOR
HDPE DUCT**

GAIL-STD-TL-DOC-DS-002


Rev	Date	Purpose	Prepared By	Checked By	Approved By
0	15.01.2019	Issued As Bid	RKS	UNU	UNU



DATASHEET FOR HDPE DUCT					
GENERAL	1	Duct Identification No.	*		
	2	Application	Duct to include Pipeline FOC		
	3	Quantity (Mts)	Refer Note 2		
CONSTRUCTION	4	Description	HDPE duct suitable for direct burial application		
	5	Standard	TEC GR No GR/CDS-008/03 March'11		
	6	Duct Drum Length (Mts)	1000 Mts		
	7	Outer Diameter (mm)	40 mm ± 0.4mm		
	8	Wall Thickness(mm)	3.0mm ± 0.4mm		
	9	Pressure Rating (kg/cm2)	10 kg/cm2		
	10	Lubrication	Solid permanent lubricant across drum length		
	11	HDPE Density (kg/m3 at 27 degC)	940 to 958 kg/m3 at 27° C		
	12	HDPE Melt Flow Index	0.2 to 1.1 grams per 10 min. at 190 °C		
	13	Color	Orange - uniform across drum length		
	14	Identification	Black, Length mark at every meter		
	15	Preinstalled Tape	Factory installed Bull-line Pull tape		
	16	Ribbed	Internal straight ribs		
	17	Number of Ribs	80 / 32		
18	Rib Height	0.2 - 0.5 mm/0.3 to 0.9mm			
19	Tensile strength	Min. 20 N/mm2 (Testing as per IS-14151 (Part-I))			
20	Elongation	Min. 350% (Testing as per IS-14151 (Part-I))			
21	Internal Coefficient of friction	≤ 0.08			
ACCESSORIES	22	Plastic Coupler	Push-fit type having Push-Lock mechanism		
	23	Air Pressure Testing of Coupler	15 Kg/cm2 min period of 2 hours without any leakage		
	24	End plugs, Cable Sealing Plug & End Cap	Required		
	25	End Cap material	Hard rubber/plastics fitted to HDPE Ducts		
TESTS	26	Duct Integrity Test	Required		
	27	Pressure Test	Required		
	28	Crush and Deformity Test	Required		
	29	End Plug Test	Required		
MISC.	30	Make	Model No.	**	**
	31				
	32				
	33				
	34				

Notes: ** TBD

1. Vendor to specify. *
2. Refer SOR for Quantities required and Scope of Work.
3. Refer Specification for FOC Cable and HDPE duct for more information regarding complete list of tests required.
4. HDPE duct specification shall confirm to IS 7328, IS 4984 and ASTM D-1963 standards.


DATASHEET FOR HDPE DUCT	Doc No.	Rev	
	GAIL-STD-TL-DOC-DS-002	0	
	Page 2 of 2		



GAIL INDIA LIMITED

QAP FOR OPTICAL FIBRE CABLES

GAIL-STD-TL-DOC-QAP-001

						
0	15.01.2019	Issued for Bid	RKS	UNU	UNU	
Rev.	Date	Purpose of Issue	Prepared By	Checked By	Approved By	

10	Flexural Rigidity Test on the optical fibre cable	Type Test	5%		To be tested as per ASTM D-790	As per approved Specification & datasheet	Report	P/R	R	R
11	Cable Aging Test	Type Test	5%	As per Job specification/ ITU-T-G652/G655		As per approved Specification & datasheet	Report	P/R	R	R
12	Check of easy removal of sheath	-		As per Job specification/ ITU-T-G652/G655		As per approved Specification & datasheet	Report	P/R	R	R
13	Effect of aggressive media on the cable surface (Acidic and Alkaline behaviour)	-		As per Job specification/ ITU-T-G652/G655		As per approved Specification & datasheet	Report	P/R	R	R
14	Check of the Quality of the Loose Tube (Containing Optical Fibre)	-		As per Job specification/ ITU-T-G652/G655		As per approved Specification & datasheet	Report	P/R	R	R
15	Drainage Test for Loose Tube and Drip Test on the Cable	-		As per Job specification/ ITU-T-G652/G655		As per approved Specification & datasheet	Report	P/R	R	R
16	Fibre PMD Maximum Individual Fibre	PMD Test	100%	ITU-T-G652/G655	IEC 60793-1-49	As per approved Specification & datasheet	Fibre Supplier Test Report	P/R	R	R
17	Fibre Proof Test	Fibre Proof Test	100%	ITU-T-G652/G655	IEC 60793-1-30	As per approved Specification & datasheet	Fibre Supplier Test Report	P/R	R	R
18	Fibre Curl	Fibre Curl Test	100%	ITU-T-G652/G655	IEC 60793-1-34	As per approved Specification & datasheet	Fibre Supplier Test Report	P/R	R	R
19	Attenuation Vs Wavelength - 1285 - 1330nm - 1525 - 1575nm	Spectral Attenuation Test	100%	ITU-T-G652/G655	IEC 60793-1-40A	As per approved Specification & datasheet	Report	P/R	R	R
20	Attenuation with Bending - 100 turns on a mandral of 60 mm diameter - 1 turn on mandrel of 32mm diameter	Attenuation Test	100%		IEC 60793-1-47	As per approved Specification & datasheet	Report	P/R	R	R
21	Fibre Micro Band Test (1 around 32+0.5 diameter mandrel) <0.5 dB at 1550 nm.	Fibre Micro Band Test	100%			As per approved Specification & datasheet	Report	P/R	R	R
B. FOR FINISHED CABLES										
1	Visual Inspection - Cable lay up and fibre identification - Identification and length marking on outer jacket - Overall diameter of the cable - Colour contact of the marking with the outer sheath or the cable	Visual Tests	5% or Minimun One Drum (Whichever in higher)	ITU-T-G652/G655	As per approved cross sectional drawing/Datasheet of OFC	As per approved Specification & datasheet	Report	P	W	R
2	Test on Moisture barrier - Thickness of layers - Extent of overlapping - Electrical continuity - Water swellable tape or power - Water immersion	Moisture Barrier Test	- 5% !- 5% !- Not applicable	ITU-T-G652/G655	As per approved cross sectional drawing/Datasheet of OFC	As per approved Specification & datasheet	Report	P	W	R

3	Tensile performance (Tensile load of 9.81 W Newton or 2700 N whichever is higher where W=Weight of 1km cable in kg)	Tensile Test	1 drum per order	ITU-T-G652/G655	IEC-794-1-2-E1	As per approved Specification & datasheet	Report	P	W	R
4	Attenuation Co-efficient/Length - @ 1310 nm - @ 1550 nm - @1625nm	Attenuation Co-efficient Test (OTDR Test)	5% or Minimum One Drum (Whichever in higher)	ITU-T-G652/G655	IEC 60793-1-40C	As per approved Specification & datasheet	Report	P	W	R
5	Crush (200kg of load to be slowly placed and held for 60 sec)	Crush Test	1 drum per order		IEC-794-1-2-E3	As per approved Specification & datasheet	Report	P	W	R
6	Impact (Mass of 5 kg to fall freely from 500mm height on the cable sample 10 times repeatedly with a gap between 1 impact to another approx. at 60 sec)	Impact Test	1 drum per order		IEC-794-1-2-E4	As per approved Specification & datasheet	Report	P	W	W/R
7	Torsion (Weight of 7.5 kg attached to the stationary chuck and shall be subjected to 10 cycles)	Torsion Test	1 drum per order		IEC-794-1-2-E7	As per approved Specification & datasheet	Report	P	W	W/R
8	Bend (To be performed preferably with procedure 1 (of IEC) with mandrel diameter of 20D, where D is the diameter of the cable and testing shall be done with 4 turns of cable wrapped and then unwrapped for 10 complete cycles)	Bend Test	1 drum per order		IEC-794-1-2-E11 Procedure 1	As per approved Specification & datasheet	Report	P	W	W/R
9	Snatch Test (with a load of 100N)	Snatch Test	1 drum per order		IEC-794-1-2-E9	As per approved Specification & datasheet	Report	P	W	W/R
10	Kink (Radius : 10 X Cable Diameter)	Kink Test	1 drum per order		IEC-794-1-2-E10	As per approved Specification & datasheet	Report	P	W	W/R
11	Temperature Cycling	Tested on a > 200m cable with temperature cycle as follows: - At room temperature : 1 hr - At 0°C : 12 hrs - At 65°C : 12 hrs - From 65°C to room temperature - 1 hr	1 drum per order		IEC-794-1-2-F1	As per approved Specification & datasheet	Report	P	W	W/R

12	Test of Figure of 8 (Eight) on the cable	-	5%	As per Job specification/ ITU-T-G652/G655		As per approved Specification & datasheet	Report	P	W	W/R
13	Static Bend Test	Band test	5%	As per the clause no. 13.8 of the GR alternatively as per ASTM D 790		As per approved Specification & datasheet	Report	P	W	W/R
14	Water Penetration	Water Penetration Test	5%		IEC-794-1-2-F5	As per approved Specification & datasheet	Report	P	W	W/R
15	Water Immersion	Water Immersion Test			IEC 60793-53	As per approved Specification & datasheet	Report	P	W	W/R
16	Length of Cable	-	-	-	-	Std Length 4.0 km±5%		P	W	W/R
17	Abrasion Test	Abrasion Test			IEC-794-1-2-E2	Test the abrasion resistant of sheath and printing		P	W	W/R
18	IRN							H	P	R
19	DOCUMENTATION							H	P	R

LEGEND: R: Review, W:Witness, P:Perform, TPIA:Third Party Inspection Agency, NA:Not Applicable

NOTE:


- 1). Material and Type shall be as per tender specification / datasheet.
- 2). Acceptance Norms/ Acceptance Criteria for all the activities shall be as per specification/ data sheets/ applicable codes & standards etc.
- 3). GAIL and/or his representative reserve right for inspection at any stage of manufacturing of materials as per approved QAP.
- 4). All Testing & Measuring Instruments shall have valid Calibration with Calibration Certificates & Traceabilities.



GAIL INDIA LIMITED

QAP FOR OPTICAL HDPE DUCT & ACCESSORIES

GAIL-STD-TL-DOC-QAP-002

							
0	15.01.2019	Issued for Bid	RKS	UNU	UNU		
REV	Date	Purpose of Issue	Prepared By	Checked By	Approved By		Lyons Engineering Pvt. Ltd



VENDOR LOGO



QUALITY ASSURANCE PLAN FOR HDPE DUCT

S.No	Activity Description	Description of Test	Test Frequency	Ref. std & Cl. No.	Procedure No.	Acceptance Criteria	Document / Report	Manufacturer	TPI Agency	Client
TEST ON RAW MATERIALS										
1	Melt flow Index of HDPE resin	As per data sheet/specification and GR/CDS-08/03/MAR-11 with latest amendment.	As Per IS 2530	As per IS 2530	Vendor to specify	As per data sheet/specification and GR/CDS-08/03/MAR-11 with latest amendment.	Vendor to specify	P	R	R
2	Density of HDPE Resin	As per data sheet/specification and GR/CDS-08/03/MAR-11 with latest amendment.	As Per IS 7328	As per IS 7328	Vendor to specify	As per data sheet/specification and GR/CDS-08/03/MAR-11 with latest amendment.	Vendor to specify	P	R	R
3	UV Stabilizer Content	As per data sheet/specification and GR/CDS-08/03/MAR-11 with latest amendment.	TEC GR NO. TEC/GR/TX/CDS-08/03/MAR-11 with latest amendment.	TEC GR NO. TEC/GR/TX/CDS-08/03/MAR-11 with latest amendment.	Vendor to specify	As per data sheet/specification and GR/CDS-08/03/MAR-11 with latest amendment.	Vendor to specify	P	R	R
4	Ash Content of Color Master Batch	As per data sheet/specification and GR/CDS-08/03/MAR-11 with latest amendment.	TEC GR NO. TEC/GR/TX/CDS-08/03/MAR-11 with latest amendment.	TEC GR NO. TEC/GR/TX/CDS-08/03/MAR-11 with latest amendment.	Vendor to specify	As per data sheet/specification and GR/CDS-08/03/MAR-11 with latest amendment.	Vendor to specify	P	R	R
TESTS ON FINISHED PLB HDPE DUCT										
1	Visual Appearance			IS: 4984-95	Smooth Inside and outside surface, free of blisters, shrink hole, flaking, chips, scratches, roughness etc. Thickness of inside Lubricant layer shall be uniform throughout the length and shall be white in color for clear visibility.			P	W	W/R
	Dimensions:	Dimensional outside diameter wall thickness	As Per Table 1 of GR/CDS-08/03/MAR-11 with latest amendment.	TEC GR NO. TEC/GR/TX/CDS-08/03/MAR-11 with latest amendment.	Vendor to specify	As per data sheet/specification and GR/CDS-08/03/MAR-11 with latest amendment.	Vendor to specify	P	W	W/R
	a) Wall Thickness			IS: 4984-95	3.50 + 0.20 mm or better			P	W	W/R
	b) Outside Diameter			IS: 4984-95	50.0 +0.4 – 0.0 mm			P	W	W/R
	c) Thickness of inner Lubricant Layer	As per data sheet/specification and GR/CDS-08/03/MAR-11 with latest amendment.	As per data sheet/specification and GR/CDS-08/03/MAR-11 with latest amendment.	TEC GR NO. TEC/GR/TX/CDS-08/03/MAR-11 with latest amendment.	Vendor to specify	As per data sheet/specification and GR/CDS-08/03/MAR-11 with latest amendment.	Vendor to specify	P	W	W/R

2	d) Bending Radius	As per data sheet/specification and GR/CDS-08/03/MAR-11 with latest amendment.	As per data sheet/specification and GR/CDS-08/03/MAR-11 with latest amendment.	TEC GR NO. TEC/GR/TX/CDS-08/03/MAR-11 with latest amendment.	Vendor to specify	As per data sheet/specification and GR/CDS-08/03/MAR-11 with latest amendment.	Vendor to specify	P	W	W/R
	e) Color			-	As per job specification			P	W	W/R
	f) Identification Markings			TEC GR NO. TEC/GR/TX/CDS-08/03/MAR-11 with latest amendment.	As per job specification	As per data sheet/specification and GR/CDS-08/03/MAR-11 with latest amendment.		P	W	W/R
	g) Fading of colors of duct	GR/ASTM D-1712	As per data sheet/specification and GR/CDS-08/03/MAR-11 with latest amendment.	TEC GR NO. TEC/GR/TX/CDS-08/03/MAR-11 with latest amendment.	As per job specification	As per data sheet/specification and GR/CDS-08/03/MAR-11 with latest amendment.	Vendor to specify	P	W	W/R
3	Reversion Test	Shrinkage	As per data sheet/specification and GR/CDS-08/03/MAR-11 with latest amendment.	TEC GR NO. TEC/GR/TX/CDS-08/03/MAR-11 with latest amendment.	Vendor to specify	As per data sheet/specification and GR/CDS-08/03/MAR-11 with latest amendment.	Vendor to specify	P	W	W/R
4	Environmental Stress Crack Resistance	Chemical Property of Product	As per data sheet/specification and GR/CDS-08/03/MAR-11 with latest amendment.	TEC GR NO. TEC/GR/TX/CDS-08/03/MAR-11 with latest amendment.	Vendor to specify	As per data sheet/specification and GR/CDS-08/03/MAR-11 with latest amendment.	Vendor to specify	P	W	W/R
5	Impact Strength	Impact Strength Test	As per data sheet/specification and GR/CDS-08/03/MAR-11 with latest amendment.	TEC GR NO. TEC/GR/TX/CDS-08/03/MAR-11 with latest amendment.	Vendor to specify	As per data sheet/specification and GR/CDS-08/03/MAR-11 with latest amendment.	Vendor to specify	P	W	W/R
6	Crush Resistance Test	Deflection of Duct	As per data sheet/specification and GR/CDS-08/03/MAR-11 with latest amendment.	TEC GR NO. TEC/GR/TX/CDS-08/03/MAR-11 with latest amendment.	Vendor to specify	As per data sheet/specification and GR/CDS-08/03/MAR-11 with latest amendment.	Vendor to specify	P	W	W/R
7	Oxidation Induction Test	Oxidation of HDPE material	As per data sheet/specification and GR/CDS-08/03/MAR-11 with latest amendment.	TEC GR NO. TEC/GR/TX/CDS-08/03/MAR-11 with latest amendment.	Vendor to specify	As per data sheet/specification and GR/CDS-08/03/MAR-11 with latest amendment.	Vendor to specify	P	W	W/R
8	Hydraulic Characteric Test	Leakage,Swelling,Weeping and Burst and Crack in test duration	As Per Table 1 of GR/CDS-08/03/MAR-11 with latest amendment.	TEC GR NO. TEC/GR/TX/CDS-08/03/MAR-11 with latest amendment.	Vendor to specify	As per data sheet/specification and GR/CDS-08/03/MAR-11 with latest amendment.	Vendor to specify	P	W	W/R
9	Tensile Strength	Tensile Elongation Property	As Per Table 1 of GR/CDS-08/03/MAR-11 with latest amendment.	TEC GR NO. TEC/GR/TX/CDS-08/03/MAR-11 with latest amendment.	Vendor to specify	As per data sheet/specification and GR/CDS-08/03/MAR-11 with latest amendment.	Vendor to specify	P	W	W/R
10	Internal Co-efficient of friction	Co-efficient of friction HDPE material	As Per Table 1 of GR/CDS-08/03/MAR-11 with latest amendment.	TEC GR NO. TEC/GR/TX/CDS-08/03/MAR-11 with latest amendment.	Vendor to specify	As per data sheet/specification and GR/CDS-08/03/MAR-11 with latest amendment.	Vendor to specify	P	W	W/R
11	UV Stabiliser of content of Resin	Identification of UV additive	As per data sheet/specification and GR/CDS-08/03/MAR-11 with latest amendment.	TEC GR NO. TEC/GR/TX/CDS-08/03/MAR-11 with latest amendment.	Vendor to specify	As per data sheet/specification and GR/CDS-08/03/MAR-11 with latest amendment.	Vendor to specify	P	W	W/R
12	Ovality	Dimensional outside diameter	As Per Table 1 of GR/CDS-08/03/MAR-11 with latest amendment.	TEC GR NO. TEC/GR/TX/CDS-08/03/MAR-11 with latest amendment.	Vendor to specify	As per data sheet/specification and GR/CDS-08/03/MAR-11 with latest amendment.	Vendor to specify	P	W	W/R
12	Mandrel Test	Internal Dia of Duct	As Per Table 1 of GR/CDS-08/03/MAR-11 with latest amendment.	TEC GR NO. TEC/GR/TX/CDS-08/03/MAR-11 with latest amendment.	Vendor to specify	As per data sheet/specification and GR/CDS-08/03/MAR-11 with latest amendment.	Vendor to specify	P	W	W/R

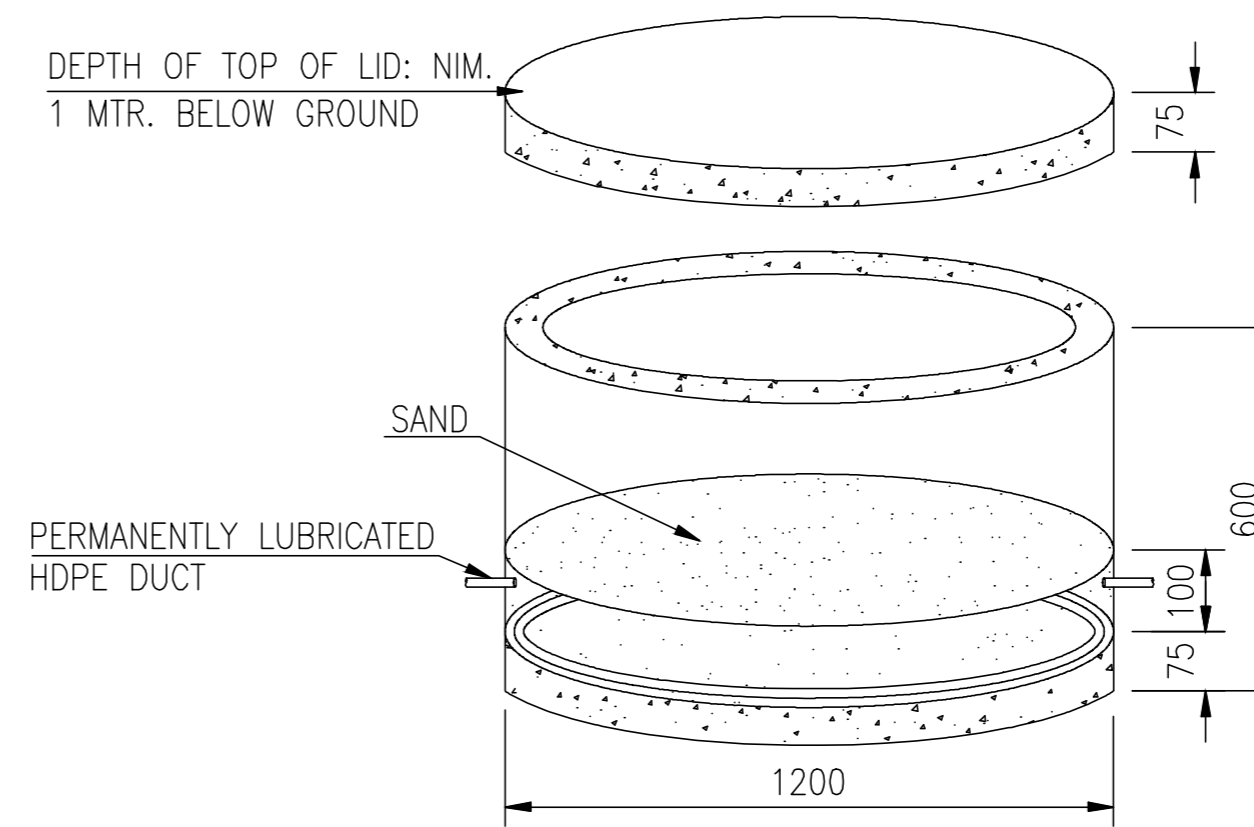
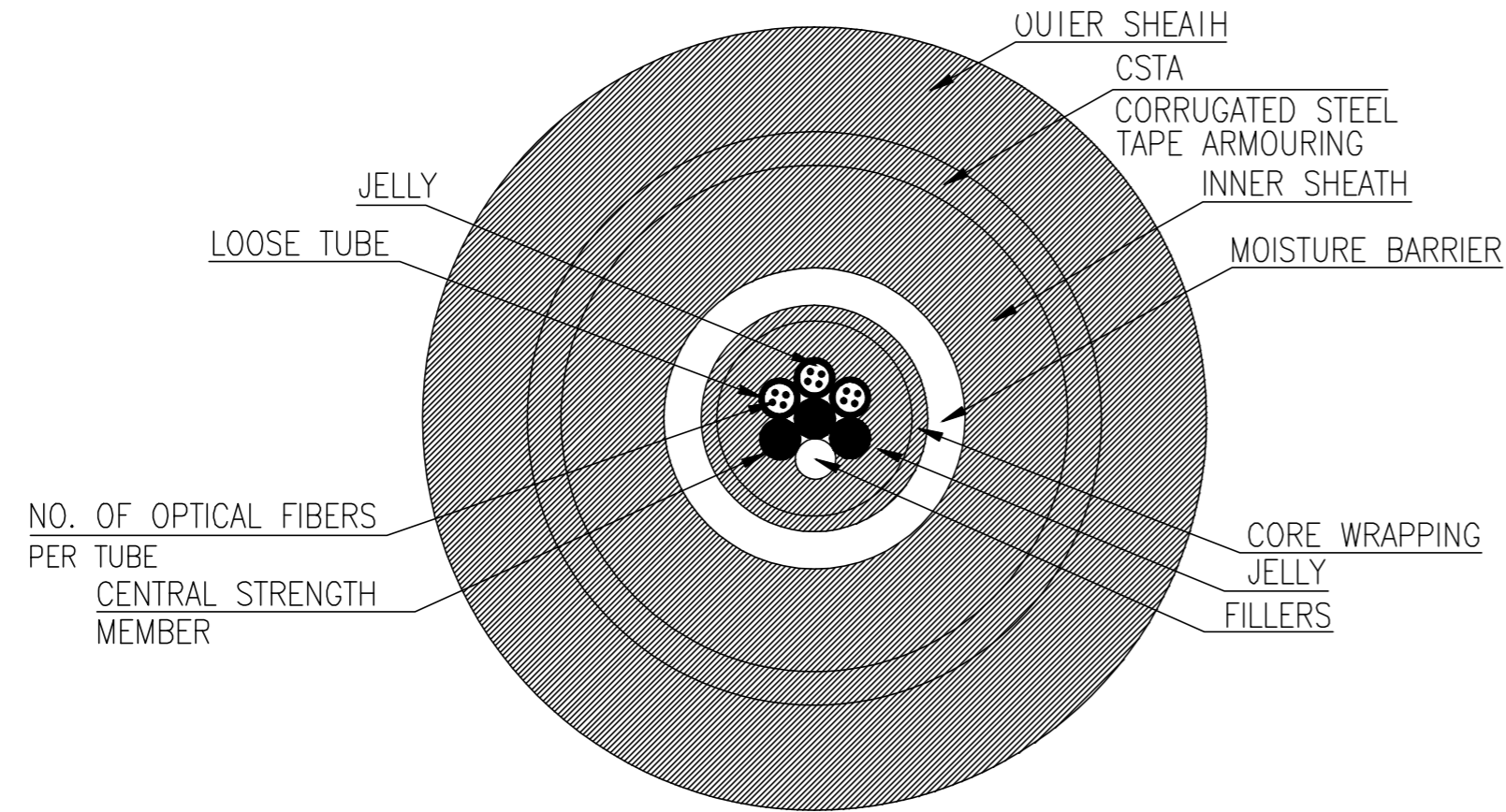
13	Maximum Pulling Strength	Pulling force on coupler	As per data sheet/specification and GR/CDS-08/03/MAR-11 with latest amendment.	TEC GR NO. TEC/GR/TX/CDS-08/03/MAR-11 with latest amendment.	Vendor to specify	As per data sheet/specification and GR/CDS-08/03/MAR-11 with latest amendment.	Vendor to specify	P	W	W/R
14	Change in MFR	As per data sheet/specification and GR/CDS-08/03/MAR-11 with latest amendment.	As per data sheet/specification and GR/CDS-08/03/MAR-11 with latest amendment.	TEC GR NO. TEC/GR/TX/CDS-08/03/MAR-11 with latest amendment.	Vendor to specify	As per data sheet/specification and GR/CDS-08/03/MAR-11 with latest amendment.	Vendor to specify	P	W	W/R

Tests on HDPE Conduit Accessories:

1	Push-fit Coupler, End Plug & Cable Sealing Plug			As per data sheet/specification and GR/CDS-08/03/MAR-11 with latest amendment.	<ul style="list-style-type: none"> • Shall pass ageing test as per TEC GR. • End plug and cable sealing plug shall be tested for air tightness with pressure of 1 bar for 30minutes. • Pulling force test shall be conducted by loading coupler joined by two pieces of duct for 15 minutes using 			P	W	W/R
---	---	--	--	--	--	--	--	---	---	-----

LEGEND: R: Rewiew, W:Witness,P: Perform,TPIA:Third party inspection agency

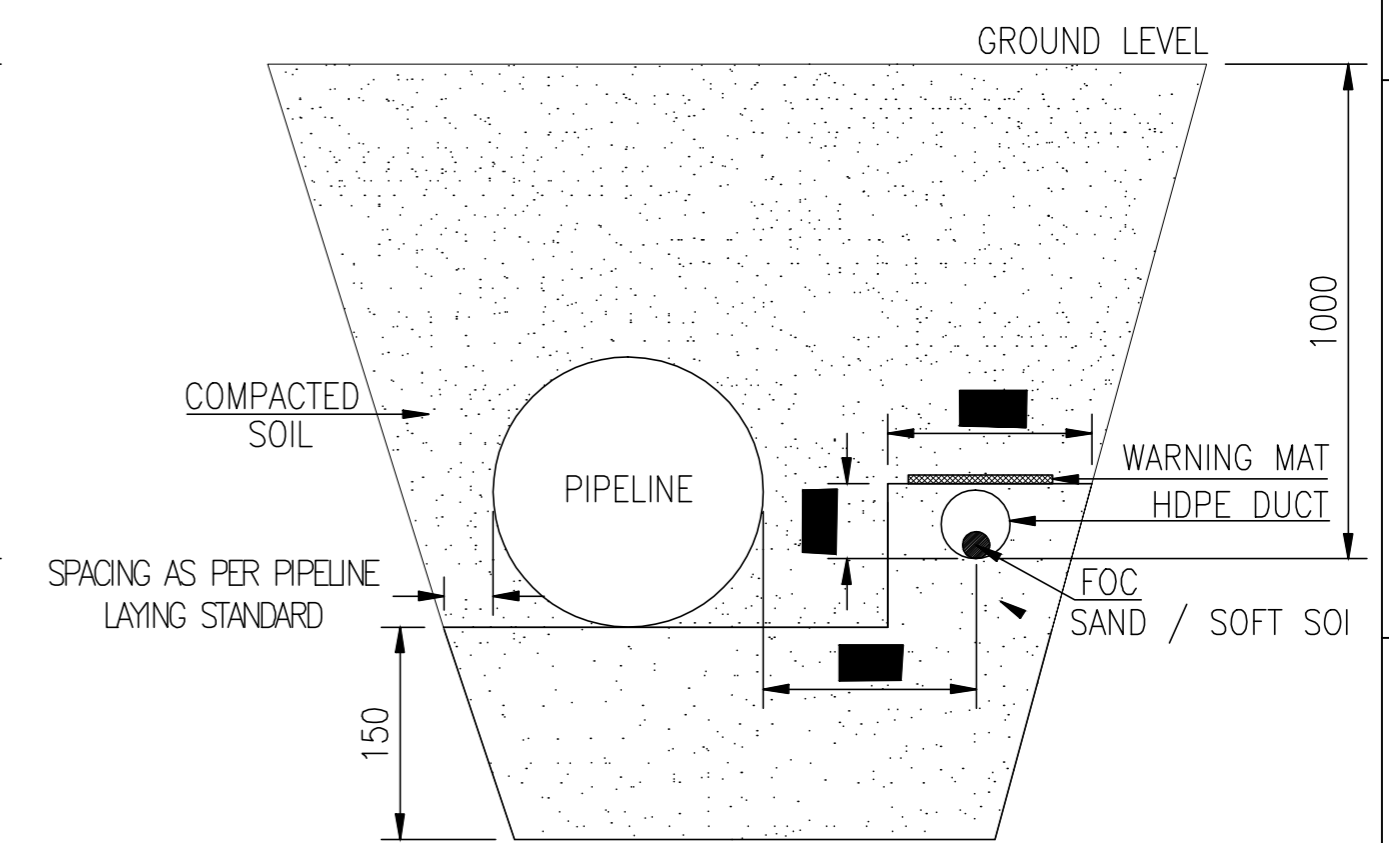
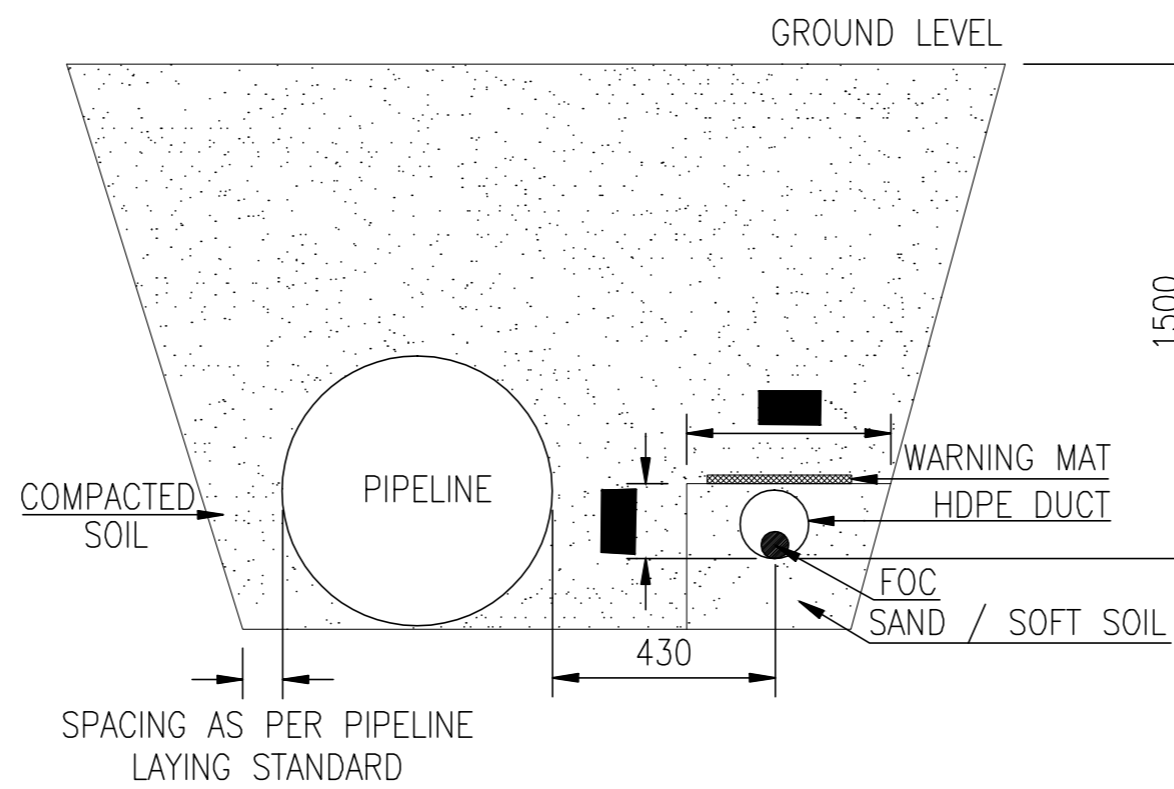
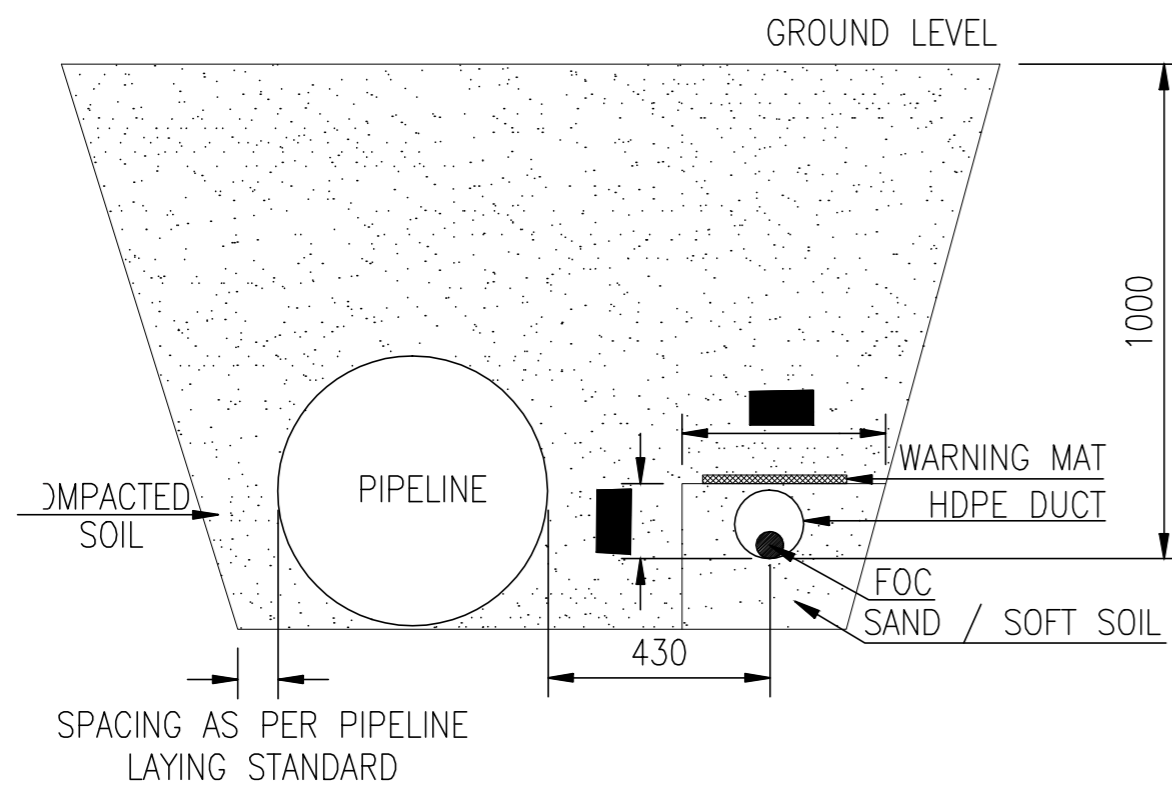
- 1) Material and Type shall be as per tender specification / datasheet.
- 2) The supplier shall submit their own detailed QAP prepared on the basis of the above approval of owner/owner's representative and TPIA
- 3) TPIA shall have right to inspect 100% of all manufacturing activities on each day or as specified above.
- 4) TPIA along with owner/owner's representative shall review /approve all the documents related to QAP /Quality manuals Drawings etc. submitted by supplier
- 5) TPIA shall also review the test certificates submitted by the manufacturer.
- 6) Supplier shall in cordination with sub vendor shall issue detailed production and inspection schedule indicating the dates and the locations to facilitate owner/owner's representative to organise inspection
- 7) Supplier shall submit their own detailed QAP duly sighned and stamped.
- 8). Acceptance Norms/ Acceptance Criteria for all the activities shall be as per specification/ data sheets/ applicable codes & standards etc.
- 9). GAIL and/or his representative reserve right for inspection at any stage of manufacturing of materails as per approved QAP.



FOC IN PIPELINE TRENCH-NORMAL SOIL

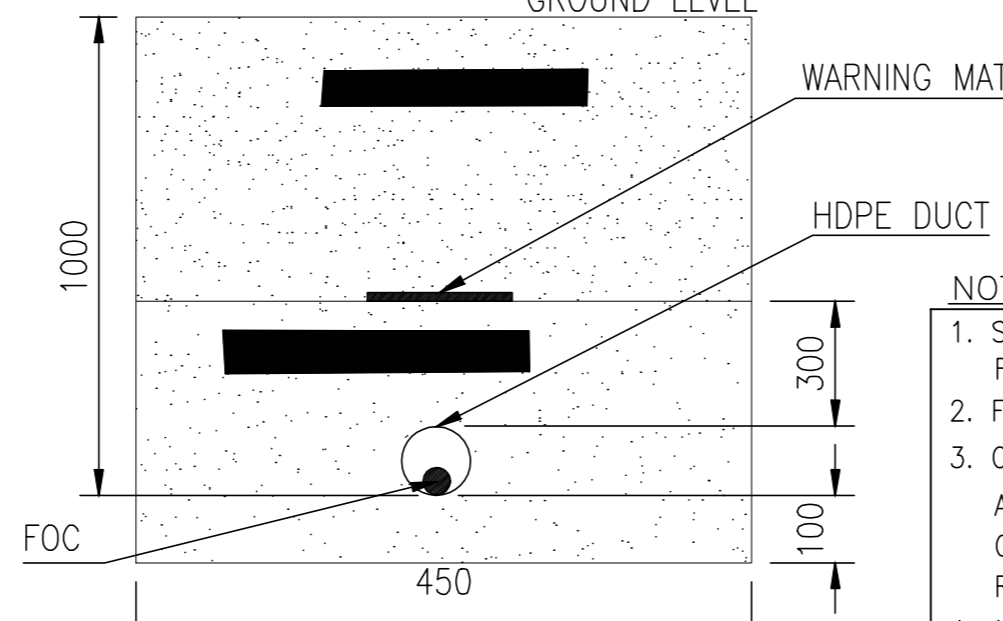
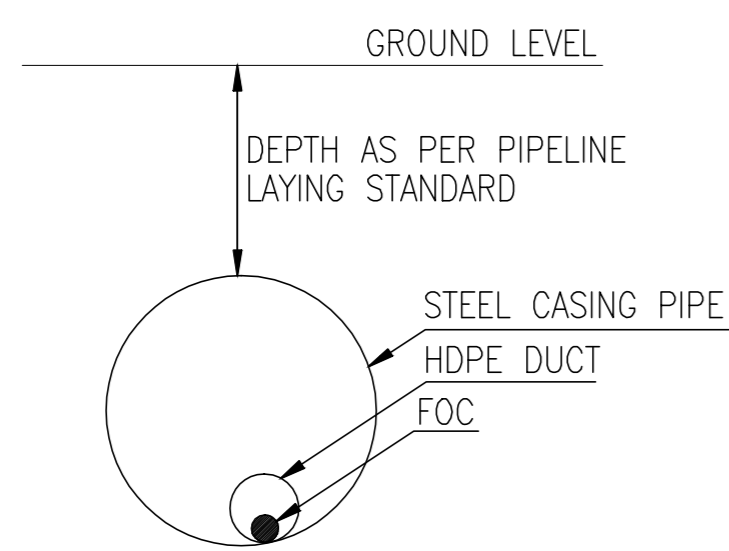
FOC IN PIPELINE TRENCH-CROSSINGS

FOC IN PIPELINE TRENCH-ROCKY AREA



FOC LAYING IN CASED CROSSING

FOC LAYING IN SEPARATE TRENCH



- NOTES**
1. SINGLE MODE FOC SHALL BE LAID IN THE SAME PIPELINE TRENCH FROM SCRAPER LAUNCHER FACILITY TO SCRAPER RECEIVER FACILITY
 2. FOC SHALL BE LAID INSIDE PERMANENT LUBRICATED HDPE DUCT.
 3. CONTRACTOR SHALL SUPPLY ALL FOC INSTALLATION MATERIAL SUCH AS WARNING / PROTECTIVE TAPE, MARKERS, SPLICE ENCLOSURES, CASING PIPE AT CROSSING (AS APPLICABLE), MANHOLES ETC. REQUIRED FOR COMPLETE INSTALLATION.
 4. ALL DIMENSIONS ARE IN MM UNLESS OTHERWISE STATED.

0	10.01.19	ISSUED FOR TENDER	DV	UN	UN
REV.	DATE	DESCRIPTION	PREP.	CHKD.	APPD.
CLIENT:		GAIL (INDIA) LIMITED			
PMC:		LYONS ENGINEERING PVT. LTD.			
SCALE	TITLE: FOR CROSS SECTION AND INSTALLATION DETAILS				
NTS					
SIZE	DRAWING NUMBER	SHEET	REV.		
A2	GAIL-STD-TL-DWG-TP-001	1 OF 2	0		

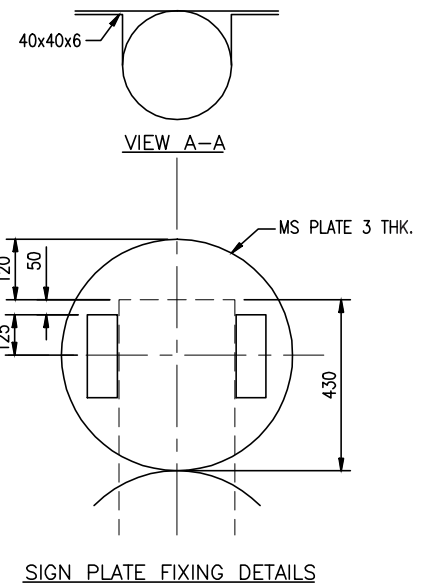
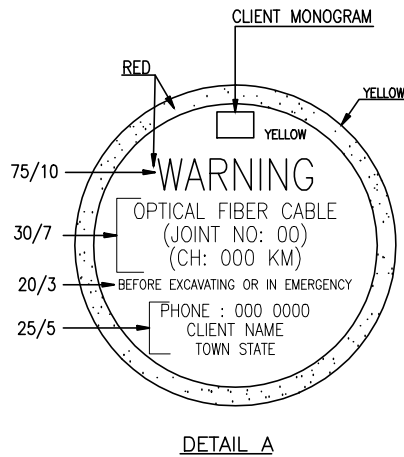
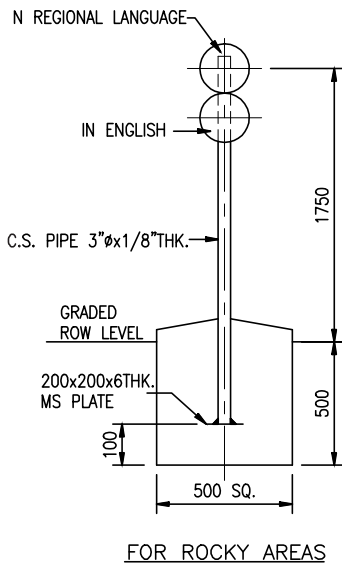
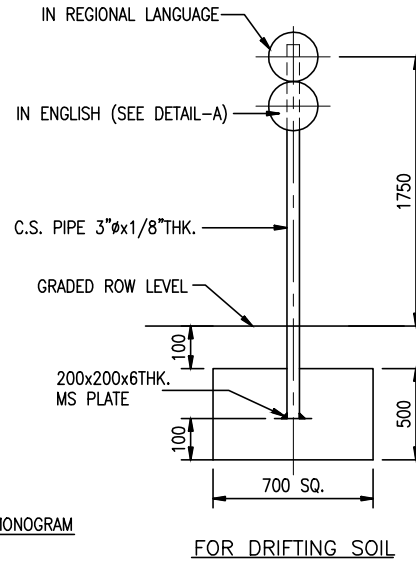
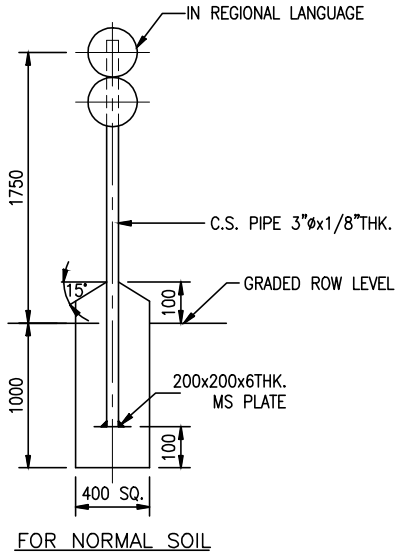


LYONS ENGINEERING PVT. LTD.
NEW DELHI

OPTICAL FIBER CABLE
JOINT IDENTIFICATION MARKER

DRAWING NO.
GAIL-STD-TL-DWG-TP-001

SHEET NO. 2 OF 2



NOTES

- SCHEME FOR PAINTING AND COLOURING
 - UNDERGROUND STEEL : COAL TAR EPOXY (MIN 300 MICRON THK). (EXCEPT THAT EMBEDDED IN CONCRETE).
 - OVER GROUND STEEL : ONE COAT OF PRIMER AND TWO COATS OF SPECIFIED COLOUR PAINT.
 - ALL LETTERS EXCEPT 'WARNING' TO BE PAINTED BLACK.
 - POST SHALL BE PAINTED WITH 250 WIDE ALTERNATE BANDS OF BLACK AND WHITE PAINT.
 - ALL OTHER ABOVE-GROUND STEEL SHALL BE PAINTED YELLOW.
- ALL DIMENSIONS ARE IN MM UNLESS OTHERWISE STATED.
- FOUNDATION SHALL BE MADE OF CONCRETE.
- SIGN PLATE IN REGIONAL LANGUAGE SHALL BE PREPARED BY THE CONTRACTOR IN SIMILAR LINES.

0	10-01-2019	ISSUED FOR TENDER	DV	UN	UN
REV. NO.	DATE	SUBJECT OF REVISION	DRAWN	CHECKED	APPROVED



GAIL INDIA LIMITED


**LIST OF RECOMMENDED PARTIES
FOR
BOUGHT OUT ITEMS**

0	01.12.2020	Issued for Bid	RKS	UN	SB
Rev	Date	Purpose	Prepared By	Checked By	Approved By




TABLE OF CONTENTS

1. MAINLINE & MECHANICAL.....3
2. CIVIL & STRUCTURE.....17
3. ELECTRICAL.....24
4. INSTRUMENTATION.....34
5. SHOP & FIELD PAINTING.....42
6. TELECOM.....45

LIST OF RECOMMENDED PARTIES FOR BOUGHT OUT ITEMS	Doc No.	Rev	
	GAIL-ENG-GN-DOC-VL-001	0	
Page 2 of 41			

LIST OF SUPPLIERS OF MAJOR BOUGHT-OUT ITEMS**1. (MECHANICAL & FIRE FIGHTING EQUIPMENT)****A). MAINLINE & MECHANICAL****i) Pipe Carbon Steel To Indian Standards**


1. A.S.T. Pipes Pvt. Ltd. (AST Group)
2. Advance Steel Tube Ltd.
3. Apl Apollo Tubes Ltd. (Er. Bihar Tubes Ltd.)
4. Asian Mills Pvt. Ltd.
5. Asrani Tubes Limited
6. Dadu Pipes (P) Ltd.
7. Essar Steel Limited(Er Hazira Pipes Mill)
8. Gaurang Products Pvt Ltd. (Ast Group)
9. Goodluck Steel Tubes Ltd.
10. HiGTech Pipes Limited
11. Indus Tube Limited
12. Jindal Industries Ltd
13. Jindal Pipes Ltd.
14. Jindal Saw Ltd (Kosi Works)
15. Jotindra Steel & Tube Ltd
16. Lalit Pipes and Pipes Ltd.
17. Maharashtra Seamless Ltd.
18. Man Industries (India) Ltd. – Pithampur
19. Man Industries (India) Ltd. Anjar
20. Mukat Tanks & Vessels Ltd.
21. Nezone Tubes Limited
22. North Eastern Tubes Limited
23. Pratibha Industries Limited
24. Pratibha Pipes & Structural Ltd.
25. Psl Ltd (Chennai)
26. Psl Ltd (V1, V2 & Nc)
27. Rama Steel Tubes Ltd.
28. Ratnamani Metals and Tubes Ltd.
29. Ravindra Tubes Limited
30. Samshi Pipe Industries Limited

LIST OF RECOMMENDED PARTIES FOR BOUGHT OUT ITEMS	Doc No.	Rev	
	GAIL-ENG-GN-DOC-VL-001	0	
Page 3 of 41			

31. Surya Roshni Ltd.
32. Swastik Pipes Ltd.
33. Utkarsh Tubes & Pipes Ltd. (Formly Bmw)
34. Welspun Corp. Limited (Dahej)
35. Zenith Birla (India) Limited

ii) Pipe & Tubulars To A.P.I. Standards

1. Arcelormittal Tubular Products Roman Sa, Romania
2. Bhel (Trichy),India
3. Dalmine Spa (Enquiry To Tenaris),UAE
4. Eewkorea Co. Ltd (Germany), Korea
5. Eew Korea Co. Ltd. (Korea), Korea
6. Eisenbau Kramer Gmbh, Germany
7. Hyundai Rb Co. Ltd. South Korea
8. Ilva Lamiere E Tubi Srl (Enq To Ilva Spa, Italy
9. Inox Tech. Spa, Italy
10. Ismt Ltd. Ahmedngr, India
11. Ismt Ltd. Baramati, India
12. Jindal Pipes Ltd., India
13. Jindal Saw Ltd. (Kosi Works), India
14. Jindal Saw Ltd. (Nashik Works), India
15. Lalit Pipes and Pipes Ltd. India
16. Maharashtra Seamless Ltd., India
17. Man Industries (I) Ltd. (Pithampur), India
18. Mukat Tanks & Vessels Ltd., India
19. Pratibha Industries Limited, India
20. Ratnamani Metals and Tubes Ltd., India
21. Siderca S.A.I.C (Enquiry Totenaris), UAE
22. Sumitomo Metal Ind. Ltd., India
23. Surya Roshni Ltd., India
24. Swastik Pipes Ltd, India
25. Tata Steel Uk Limited (Formerly C702)
26. Tubos De Acero De Mexico Sa (Enq. Tenaris), UAE
27. Tubos Reunidos Sa Spain
28. Umrans Steel Pipe Inc (Turkey), Turkey
29. Valcovny Trub Chomutov, Czech Republic
30. Vallourec and Mannesmann Tubes, France

LIST OF RECOMMENDED PARTIES FOR BOUGHT OUT ITEMS	Doc No.	Rev	
	GAIL-ENG-GN-DOC-VL-001	0	
	Page 4 of 41		


31. Welspun Corp Limited (Dahej), India

iii) Pipe/Tube CS (Seamless) To ASTM STDs

1. Arcelormittal Tubular Products Roman Sa, Romania
2. Bhel (Trichy), India
3. Changshu Seamless Steel Tube Co. Ltd., China
4. Dalmine Spa (Enquiry To Tenaris, UAE
5. Heavy Metals & Tubes Limited (Mehsana), India
6. Ismt Ltd. Ahmednagr, India
7. Ismt Ltd. Baramati India
8. Jfe Steel Corporation, UAE
9. Jindal Sdaw Ltd (Nashik Works) India
10. Kit Automotive and Tubular Products Ltd., India
11. Mahalaxmi Seamless Limited, India
12. Maharashtra Seamless Ltd, India
13. Products Tubulares S.A.U, Spain
14. Ratnadeep Metal Tubes Ltd., India
15. Staineest Tubes Pvt Ltd., India
16. Sumitomo Metal Ind. Ltd., India
17. Tubos Reunidos Sa Spain
18. Valcovny Trub Chomutov, Czech Republic
19. Vallourec Andmannesmann Tubes France
20. Yangzhou Chengde Steel Pipe Co. Ltd Dubai (UAE)

iv) Pipe Carbon Steel (Welded) To ASTM STDs

1. Eew Korea Co. Ltd. (Germany), Korea
2. Eew Korea Co. Ltd. (Korea), Korea
3. Eisenbau Kramer GmbH, Germany
4. Hyundai Rb Co. Ltd., South Korea
5. Inox Tech. Spa, Italy
6. Jindal Saw Ltd (Kosi Works), India
7. Lalit Pipes and Pipes Ltd., India
8. Man Industries (I) Ltd.(Pithampur), India
9. Man Industries (India) Ltd. Anjar, India
10. Mukat Tanks & Vessels Ltd., India
11. Ratnamani Metals And Tubes Ltd., India
12. Sumitomo Metal India Ltd., India

LIST OF RECOMMENDED PARTIES FOR BOUGHT OUT ITEMS	Doc No.	Rev	
	GAIL-ENG-GN-DOC-VL-001	0	
Page 5 of 41			

13. Tata Steel Uk Limited


v) **Valve**

a) Globe Valves

- 1) M/S BDK (New Delhi)
- 2) M/S Datre Corpn (Calcutta)
- 3) M/S KSB Pumps (New Delhi)
- 4) M/S L&T (New Delhi)
- 5) M/S Neco Schuber & Salzer Ltd. (New Delhi)
- 6) M/S Niton Valve (Mumbai)
- 7) M/S Ornate Valves (Mumbai)
- 8) M/S Panchavati Valves (Mumbai)
- 9) AV Valves Ltd.
- 10) BHEL (Trichy), India
- 11) Econo Valves Pvt Ltd, India
- 12) Fouress Engg (I) Ltd (Aurangabad)
- 13) Guru Industrial Valves Pvt Ltd
- 14) Leader Valves Ltd, India
- 15) NSSL Ltd. (Neco Schubert & SalzerLtd)
- 16) Oswal Industries Ltd, India
- 17) Petrochemical Engineering Enterprises, India
- 18) Sakhi Engineers Pvt Ltd
- 19) Shalimar Valves Pvt Ltd
- 20) Steel Strong Valves India Pvt Ltd, India
- 21) Petro Valves Pvt. Limited, Ahmedabad

b) Check Valves

1. M/s Advance Valves Pvt. Ltd., Noida
2. M/s Aksons & Mechanical Enterprises, Mumbai
3. M/s Larsen & Toubro Limited (M/s Audco India Limited, Chennai)
4. M/s AV valves Ltd., Agra
5. M/s BDK engineering India Ltd., Hubli
6. M/s BHEL, OFE & OE Group, New Delhi
7. M/s Datre Coroportion Limited, Calcutta
8. M/s Leader Valves Ltd., Jalandhar
9. M/s Neco schubert & Salzer Ltd., New Delhi
10. M/s Niton Valves Industries (P) Ltd., Mumbai

LIST OF RECOMMENDED PARTIES FOR BOUGHT OUT ITEMS	Doc No.	Rev	
	GAIL-ENG-GN-DOC-VL-001	0	
Page 6 of 41			


11. M/s Precision Engg.Co., Mumbai
12. Econo Valves Pvt Ltd, India
13. Fouress Engg (I) Ltd (Aurangabad)
14. KSB Pumps Ltd (Coimbatore), India
15. NSSL Ltd. (Neco Schubert & Salzerltd)
16. Oswal Industries Ltd, India
17. Panchvati Valves & Flanges Pvt Ltd, India
18. Petrochemical Engineering Enterprises, India
19. Sakhi Engineers Pvt Ltd
20. Shalimar Valves Pvt Ltd
21. Steel Strong Valves India Pvt Ltd, India

c) Plug Valves

1. M/s Breda Energia Sesto Industrial Spa, Italy
2. M/s Fisher Sanmar Ltd., Chennai
3. M/s Larsen & Toubro Ltd., New Delhi
4. M/s Nordstrom Valves, USA
5. M/s Serck Audco Valves, UK
6. M/s Sumitomo Corporation India Pvt. Ltd., New Delhi
7. M/s Z Corporation, Korea
8. M/s Hawa Valves (India) Pvt. Ltd., Mumbai
9. M/s Steel Strong Valves India Pvt. Ltd., Navi Mumbai
10. M/s Econo Valves
11. M/s Flow-Serve PTE (Mfr. SERCK), India

vi) Split Tee

- 1) M/s Ipsco, Canada
- 2) M/s TD Willamsons, USA
- 3) M/s Pipefit Engineers
- 4) M/s Sawan Engineers
- 5) M/s Furmanite International Ltd.
- 6) M/s VKVC
- 7) M/s Bhotika
- 8) M/s Huwelco Inc.
- 9) M/s Plant-Tech


LIST OF RECOMMENDED PARTIES FOR BOUGHT OUT ITEMS	Doc No.	Rev	
	GAIL-ENG-GN-DOC-VL-001	0	
Page 7 of 41			

vii) Gaskets

1. IGP Engineers (P) Ltd., Madras
2. Madras Industrial Products, Madras
3. Dikson & Company, Bombay
4. Banco Products (P) Ltd., Vadodara
5. Goodrich Gaskets Pvt Ltd
6. Starflex Sealing India Pvt Ltd, India
7. Teekay Meta Flex Pvt Ltd
8. UNIKLINGER Ltd
9. HEM Engg. Corp.
10. Unique Industrial Packing Pvt. Ltd.

viii) Fasteners

1. Nireka Engg. Co. (P) Ltd., Calcutta
2. Precision Taps & Dies, Bombay
3. AEP Company, Vithal Udyog Nagar
4. Fix Fit Fasteners, Calcutta
5. Precision Engg. Industries, Baroda
6. Echjay Forgings Pvt. Ltd., Bombay
7. Capital Industries, Bombay
8. Boltmaster India Pvt Ltd, India
9. Deepak Fasteners Limited, India
10. Fasteners & Allied Products Pvt Ltd, India
11. Hardwin Fasteners Pvt Ltd, India
12. J.J. Industries, India
13. Multi Fasteners Pvt Ltd, India
14. Nexo Industries, India
15. Pacific Forging & Fasteners Pvt Ltd, India
16. Pioneer Nuts & Bolts Pvt Ltd, India
17. Precision Auto Engineers, India
18. President Engineering Works, India
19. Sandeep Engineering Works, India
20. Syndicate Engineering Industries, India

LIST OF RECOMMENDED PARTIES FOR BOUGHT OUT ITEMS	Doc No.	Rev	
	GAIL-ENG-GN-DOC-VL-001	0	
	Page 8 of 41		

ix) Welding Electrodes


Lincon, D&H or equivalent make

x) Fire Fighting**Equipments****a) Fire****Extinguishers**

1. Avon Services (Production & Agencies) Pvt. Ltd., Bombay
2. Kooverji Devshi & Co., Bombay
3. Zenith Fire Services, Bombay
4. Safex Fire Services, Bombay
5. Reliable (Fire Protection) India Ltd., Bombay
6. Brij Basi Hi
7. Tech Udyog
8. Bharat Engg Works, India
9. Gunnebo India Ltd
10. Nitin Fire Protection Industries Ltd, India
11. Supremex Equipments, India
12. Vimal Fire Controls Pvt Ltd., India

b) Fire Hydrants, Monitors, Deluge Valve, Nozzles

1. Zenith
2. Minimax
3. Newage
4. HD Fire
5. Vijay Fire
6. Asco Strumech Pvt Ltd, India
7. Brij Basi Hi
8. Tech Udyog
9. Gunnebo India Ltd
10. Nitin Fire Protection Pvt Ltd
11. Shah Bhogilal Jethamal & Brothers
12. Venus Pumps & Engineering Works

LIST OF RECOMMENDED PARTIES FOR BOUGHT OUT ITEMS	Doc No.	Rev	
	GAIL-ENG-GN-DOC-VL-001	0	
Page 9 of 41			

c) RRL Hose

1. Jayshree
2. Newage

d) Hoses

1. Ashit Sales Corporation, Bombay
2. Royal India Corporation, Bombay
3. Gayatri Industrial Corporation
4. Simplex Rubber Products Ltd., Ahmedabad
5. Zaverchand Marketing Pvt. Ltd., Baroda
6. Presidency Rubber Mill, Calcutta
7. The Cosmopolite, Calcutta
8. Simplex Rubber Products, Thane

e) Hose Delivery

1. Chhatarya Rubber & Chemical Industries,
2. Nitin Fire Protection Industries Ltd, India

f) Fire Hose Accessories

1. Asco Strumech Pvt Ltd
2. Brij Basi Hi-tech Udyog
3. Gunnebo India Ltd
4. Shah Bhogilal Jethamal & Brothers
5. Vimal Fire Controls Pvt Ltd., India

g) Heat Shrinkable Sleeves


1. Covalence Raychem (Berry Plastics Corporation)
2. Canussa – CPS
3. CYJ Changtong New Material company

h) Cold Applied Tapes

1. Denso GmbH
2. Polyken (Berry Plastics Corporation)

i) PUR Coating

1. Powercrete (Berry Plastics Corporation)

LIST OF RECOMMENDED PARTIES FOR BOUGHT OUT ITEMS	Doc No.	Rev	
	GAIL-ENG-GN-DOC-VL-001	0	
Page 10 of 41			

j) Casing End Closure

1. Raci, Italy
2. Raychem RPG Limited

k) Casing Insulators

1. Raci, Italy
2. Raychem RPG Limited

l) Rockshield

1. Raychem RPG Limited

m) Warning Tape /Mesh

1. Sparco Multiplast Pvt. Ltd., Ahmedabad
2. M/s Raychem RPG Limited
3. Singhal Industries Private Limited

n) High Build Epoxy Coating


1. Berry Plastics – Powercrete
2. Specialty Polymer Canada
3. Denso Protal, Canada

o) Casing Insulators

1. Raci, Italy
2. Raychem RPG Limited
3. Veekay Vikram

xiii) DRY GAS FILTER & FILTER SEPERATOR

1. Grand Prix Fab (Pvt.) Ltd.(New Delhi)
2. Perry Equipment, USA
3. Faudi Filter, Germany
4. Forain S.r.l., Italy
5. ABB, Faridabad
6. Burgess Manning, USA
7. Multitex Filtration Engineers India
8. Triveni Plenty Engg. Ltd. (New Delhi)

LIST OF RECOMMENDED PARTIES FOR BOUGHT OUT ITEMS	Doc No.	Rev	
	GAIL-ENG-GN-DOC-VL-001	0	
Page 11 of 41			


9. Siirtec International Contractor S.P.A (Italy)
10. Flashpoint, Pune india
11. Filtration Engineers (I) Pvt Ltd, India
12. Gujarat Otofilt, India
13. Tormene Gas Technology
14. Ultrafilter (India) Pvt Ltd, India
15. Ravi Techno Systems Pvt Ltd, India
16. Siirtec Nigi S.P.A
17. Filtan Filter Anlagenbau GmbH
18. Fairley Arlon BV
19. PECO Facet
20. EPE Epenstenner GMBH
21. Filtrex srl
22. Petromar Engineered Soln
23. Plenty Filter
24. Eurofiltec
25. PTI Technologies Inc

xiv) FILTER ELEMENT

1. Peco – Facet
2. Velcon
3. Pall – Filterite
4. Burgress Manning

xv) NDT Agency


1. NDT Services, Ahmedabad
2. GEECY Industrial Services Pvt. Ltd., Mumbai
3. Corrosion Control Services, Mumbai
4. Perfect Metal Testing & Inspection Agency, Calcutta
5. Inter Ocean Shipping Co., New Delhi
6. RTD, Mumbai

LIST OF RECOMMENDED PARTIES FOR BOUGHT OUT ITEMS	Doc No.	Rev	
	GAIL-ENG-GN-DOC-VL-001	0	
	Page 12 of 41		

- 7. Sievert, Mumbai
- 8. X-Tech, Vizag

xvi) HOT TAPPING VENDERS

- 1. Furmanite International Ltd.
- 2. Huwelco Inc.
- 3. Unique Hydrographics
- 4. Conmate Energy
- 5. Propipe SL
- 6. Plant-Tech
- 7. TDW


LIST OF RECOMMENDED PARTIES FOR BOUGHT OUT ITEMS	Doc No.	Rev	
	GAIL-ENG-GN-DOC-VL-001	0	
Page 13 of 41			

2. LIST OF MATERIALS OF APPROVED BRAND AND/ OR MANUFACTURE**B. (CIVIL & STRUCTURE)**


Unless otherwise specifically mentioned in the Schedule of Items, Contractor has to use materials as listed below, of only these brand names/Company's names, which are mentioned in the approved list for civil, water supply and sanitary items thereon.

CIVIL


Sr. No.	Items/ Name of Products	Make/ Brands/ Manufactures
1.	Reinforcement Steel	TATA,SAIL,RINL,IISCO,RATHI
2.	Cement	Ambuja,ACC,JK,Grasim,Ultratech,Birla,L&T,Cement
3.	Structural Steel	TATA,SAIL,RINL,IISCO,ESSAR, ISPAT
4.	Pre- engineered building (PEB) firms	Kirby Building system India ltd ,Interach Building Product limited, Tata blue scope steel ,Lloyd Insulation India ltd, Everest Industries. Ltd. Modern Prefab System Pvt Ltd,Aster Building Solution Pvt.Ltd, Octamec Engineering Ltd,Jindal Mectec Pvt Ltd,Fedders Loyd Corporation Ltd.
5.	Structural Steel Tubes ISI Marked	TATA, JINDAL , SURYA , SWASTIK
6.	(a) Zinalume colour coated steel sheet(COIL)	(a)Tata Blue scope, Dongbu Steel ,Union Steel, JSW STEEL Ltd.
	(b) Profile of Sheet(as per tender specification)	Kirby Building system India ltd ,Interach Building Product limited, Tata blue scope steel ,Lloyd Insulation India ltd, Everest Industries. Ltd. Modern Prefab System Pvt Ltd,Aster Building Solution Pvt.Ltd, Octamec Engineering Ltd,Jindal Mectec
7.	Polycarbonate Sheet	Sabic Innovative Plastic , Everest
8.	Mineral wool for thermal insulation of ceilings (Under deck insulation)	Rock wool (india) Ltd. Minwool Rock Fibres Ltd., Lloyd Insulation,
9.	Rolling shutters(ISI marked)	Swastic, Hercules, Shubdwar, M/s Bharat Rolling Shutters Industries Agra, Bengal Rolling Shutter Rama Rolling Shutter Works, Gandhi Entrance Automations Private
10.	Wind driven air Ventilators	Apurva Enterprises (Mumbai), SVS Wind Driven Turbo Ventilator(Ahmadnagar),Real Green Engineers Pvt.Ltd. Bangalore;Sun Green Ventilation system

LIST OF RECOMMENDED PARTIES FOR BOUGHT OUT ITEMS	Doc No.	Rev	
	GAIL-ENG-GN-DOC-VL-001	0	
Page 14 of 41			


		Mumbai, Multi colour, Anchit Ispat Pvt Ltd. (Faridabad),
11.	Synthetic Enamel Paint (1st quality only)	ICI Paint (Dulux), Asian Paint (Apolite), Berger Paints (Luxol). Goodlass Nerolac Paints (Nerolac), Jenson & Nicholson Paints Ltd (Borolac), Shalimar,
12.	G.I SHEET	ESSAR,JSW,,SAIL
13.	Sheeting Screw	Corroshield, Buildex,
14.	Chemical for Antitermite treatment	DE- NOCIL Bombay, Pest Control of India, Trishul
15.	Factory made Panelled Door shutter	M/s Goel Brothers Raipur New Industrial Area Raipur (CG) M/s Hindustan Housing factory Ltd- New Delhi M/s Delhi Construction Eqpt Sadar Bazar Delhi M/s Joinery manufacturing Co Calcutta M/s Goyal Industries Faridabad M/s Surbhi Metal (India) Ltd, Jodhpur
16.	Flush doors IS-2191, 2202	M/s Mysore Wood Products M/s Laxmi Doors, Faizabad Road, Chinhat, Lucknow M/s Merino flush doors M/s Poineer Timber Products, Chandigarh, M/S Goyal Industries Faridabad
17.	Fly proof doors (Made out of solid block marine grade)	M/S Laxmi Doors, Faizabad Road, Chinhat, Lucknow, Northern doors Kanpur
18.	Natural Fibre Thermo Composite door/window shutter & frames, roofing sheets etc	Durosam
19.	PVC Panel Door (Solid Core)	Rajshri Plastiwood Limited, Sintex, Hindopan, Marino
20.	Pressed steel door frames/ cupboard and window frames (manufacturers)	M/s SAIL, M/s TATA
21.	Pressed steel door frames/ cupboard and window frames (fabricators)	M/s Loyal safe works Mayapuri, N/Delhi M/s Multiwyn Industrial Corpn Calcutta M/s Metal Window Corpn N/Delhi M/s Chhabra Steel Udyog, 260 Sadar Bazar, Meerut Cantt M/s Delite safe works, Rani Jhansi Road, N/Delhi M/s Ishwar Industries, 175/A Bombay Bazar, Meerut Cantt M/s Chandni Industries, J-142, Patel Nagar 1st, Ghaziabad.

LIST OF RECOMMENDED PARTIES FOR BOUGHT OUT ITEMS	Doc No.	Rev	
	GAIL-ENG-GN-DOC-VL-001	0	
Page 15 of 41			


22.	Steel Windows, Ventilators(as per IS-1038 of 1983) & frames pressed steel door/window	M/S Multiwyn Industrial Corpn Calcutta M/S Metal Window Corp N/ Delhi Govind Enterprises, Delhi M/S Chhabra Steel Udyog 260, Sadar Bazar, Meerut Cantt, Agent steel MFG Pvt Ltd, Ahmedabad, Godrej, M/S Chandni Industries, J-142, Patel
23.	Al Section for Al Door/ Window/ Partitions	Hindalco, Indal, Ajit India, Jindal
24.	AluminumI Door/ Window/ Glazing Fabricated and Anodized	M/s Ahlcon M/s Alumilite Pvt Ltd, M/s Ajit India Pvt Ltd, M/s Ramniklal S Raste Agra, Argent Industries, M/s Aluminium Tech Industries, I-2249 DSIDC Narela, Delhi,
25.	Aluminium door and windows Fittings	M/s Elite Enterprises C/6 Shalimar Hardware 133, Jarg Mahal, Dhobitalao Mumbai 400002. M/s Mohan Metal Industries 178/2-A, Bhole Nath Nagar, Shahadara, Delhi 110032.
26.	Automatic Glass Door	Ditec (Gandhi)
27.	Aluminium Grill	Alu Grill, Arihant Aluminium Corporation, Decogrille
28.	Door Closer	Everite, Golden, Gandhi
29.	Floor Spring	Prabhat, Everite
30.	Builders Hardware	M/s Golden Industries Pvt. Ltd., Everite, Solo, Hardwyn
31.	Plywood for general purpose (IS-303)	National Plywood Inds Pvt Ltd, S Fancy lane, 8th floor Calcutta-700001,
32.	Pre laminated Particle board	Kitply, Bhutan board, Ecoboard, Novapan, Archid ply, Merinova, Merino
33.	Laminated Sheets	Formica, Merino Lam, Greenlam, National
34.	Modular Partitions	Godrej, Blowplast
35.	False Ceiling (Mineral Fibre Board)	Armstrong, , Daiken, Luxalon, Llyods, Gypboard, Trac, Aerolite
36.	False Ceiling (POP/ Gypsum Board)	Gypboard, Anchor ceiling tiles, LA
37.	Aluminium False Ceiling	Lloyds, Armstrong, Luxlon, Trac
38.	Flooring Tiles (Mosaic / Terrazzo / PCC) (1st quality only)	M/S Mehtab Tiles, NITCO, Royal Tiles, Gem Tiles, Hindustan Tiles, M/S National Tiles & Industries, Ultra Tiles
39.	Glazed Ceramic Tiles, Non-Skid (Floor/Wall), (1st quality only)	Kajaria, Somany, NITCO. Murudeshwar Ceramic Ltd (Navin Diamond tile), Johnson (Marbonite), Marbito, Somany, Orient, Asian

LIST OF RECOMMENDED PARTIES FOR BOUGHT OUT ITEMS	Doc No.	Rev	
	GAIL-ENG-GN-DOC-VL-001	0	
Page 16 of 41			


40.	Vitrified/ Designer Vitrified Tiles (1st quality only)	Asian, Marbonite (Johnson), Kerrogres (Kajaria), NITCO, Orient
41.	PVC Tiles/Flooring (IS 3461) (1st quality only)	Marblex Tiles, Krishna Tiles, Polyfin, Armstrong, Wonder floor.
42.	False Flooring	Godrej or equivalent
43.	Glass Mosaic Tiles (1st quality only)	Paladio, Coral, Accura, Bisazza, Italia, Mridul.
44.	Designer Paver Tiles/ Interlocking tiles ISI marked/ Grass-jointed Tiles	Pavit, Ultra, Hindustan, Eurocon, Vyara, National Tiles, Gem, Unistone, Konkrete, Unitle
45.	Glass reinforced Paver block	Unistone or equivalent
46.	Wall care Putty for Base preparation (1st quality only)	Birla Wall care putty, Berger, Jenson & Nicholson, JK White
47.	White Cement (1st quality only)	Birla, JK
48.	Cement based Paints (1st quality only)	Super Snowcem, Duracem, Super Acrocem.
49.	Dry Distemper / Oil bound Distemper (1st quality only)	Goodlass Nerolac Paint, Shalimar Paint, Jenson & Nicholson, Asian Paint, Berger. ICI
50.	Acrylic Washable Distemper (1st quality only)	Asian, Berger, ICI Dulux, Jenson & Nicholson, Nerolac, Shalimar, Garware & Goodlass
51.	Plastic Emulsion Paint (1st quality only)	Asian, Berger, ICI, Nerolac, Jenson & Nicholson, Shalimar, Garware & Goodlass
52.	Exterior Acrylic Emulsion (1st quality only)	ICI (Weathercoat), Excel (Nerolac), Apex (Asian), Berger, Jenson & Nicholson, Shalimar, Garware & Goodlass
53.	Polymer based Paint	STP, CICO
54.	Textured Paint / Wall Tile (1st quality only)	Unitle, Heritage, Spectrum, lokos, Acropaints, Asian
55.	Flexible board for Expansion joint	STP or equivalent
56.	Grout	Shrinkomp, Fosroc, Fairmate
57.	Integral water proofing compound	STP, Pidilite, Fosroc, CICO, Sika.
58.	Concrete Admixture	Pidilite, Fosroc, CICO, Sika.
59.	Water proofing for cementitious surface IS-2645	Acrocrete & Acrocote, CICO, Fosroc, STP

LIST OF RECOMMENDED PARTIES FOR BOUGHT OUT ITEMS	Doc No.	Rev	
	GAIL-ENG-GN-DOC-VL-001	0	
	Page 17 of 41		

60.	Bituminous Product	M/s Faridabad Spinning & Woolen Mills Pvt Ltd, 837, SP Mukherjee Marg Delhi, M/s STP Ltd (Formerly Shalimar Tar Products) M/s Bitufelt Pvt Ltd 123/377 Fazalm Ganj Kanpur 208012, Texas, Texas India Ltd,
61.	Hardeners	Ironite, Ferrok, Hardonate
62.	Construction Chemicals	Choksey, CICO, Forsroc, Sika
63.	Non Metallic Surface Hardners	CICO, Fosroc, STP, Sika
64.	Corrugated, Semi Corrugated & AC Sheets (IS-459-1970,IS-2098)	M/s Everest Bldg Products Ltd Jata Sankar Bosa Marg Mulan (west) Bombay 400080, M/s Ramco AC Sheets "SWASTIK", M/s Eternit Everest Ltd, UP Asbestos Ltd
65.	GI Sheet ISI Marked	Multicolor, TATA, Bluescope, JSW, Colour Plus, Interarch, Lloyds, Jindal,
66.	Sheet Glass /Structural Glazing	Hindustan Pilkington Glass Works, Saint Gobain, Modi
67.	Multiell / Multiwall Polycarbonates Panel	M/s Coxwell Domes Engineering , Delhi, M/s Lexan , M/s Gallina India Pvt. Ltd.
68.	Stainless Steel Cladding	Jindal
69.	Punch Tape Concertina Coil	Global Technocrat, S.G.Engineers Delhi
70.	Punch Tape In Plastic Spool	Global Technocrat, S.G.Engineers Delhi
71.	Stainless Steel Railing	Jindal
72.	FRP/ HDPE Garbage Bins	Sintex, Swift, Nutech, Sheetal
73.	Thermoplastic Road Marking Paint	Shalimark (STP)
74.	Bollard	STP
75.	Cateye	TATA, STP
	Readymade Speed	STP
77.	Fountain	Ripples, Green Evolutions, Agritech Services, Premier
78.	Multi-Vent	Multicolor
79.	Sanitary ware	Neycer Kermag (standard), Hindustan Sanitary Ware (1st quality), Parryware (superfine), Cera (1st quality), Classica (1st /
80.	WC seat cover ISI Marked	Parryware, Neycer Kermag (standard), Hindustan Sanitary Ware (1st quality), Cera (1st quality), Classica (1st / standard)
81.	PVC Flushing Cistern IS: 774-1984 (ISI Certified)	Parryware, Hindustan Sanitary Wares, Cera.

LIST OF RECOMMENDED PARTIES FOR BOUGHT OUT ITEMS	Doc No.	Rev	
	GAIL-ENG-GN-DOC-VL-001	0	
	Page 18 of 41		

82.	Faucets & Taps, Stop Valves & Pillar Taps, Surgical basin mixer, Shower rose etc.	Gem, Parko, Parryware, HSW, Jaquar, Orient
83.	Kitchen Stainless Steel Sink	Diamond, Nirali, Neel Kanth, Jayna
84.	Looking Mirror	Saint Gobain, Modi Float, Triveni Float Glass, Crown, Atul, Ashai
85.	Ready-made Bathroom Cabinets	Commander Gratings (I) Pvt Ltd, Gratolite Cabinet, A-4 Sector Viii Noida-202701, Alpina, Cera.
86.	Float Valve	Leader, Bombay Metal & Alloy Co, Bombay superflow.
87.	SGSW Pipes (IS-651) ISI Marked	Perfect Agra, Devraj Ind Gaziabad, Buran, RK, Prince,
88.	CI (Centrifugally Cast) Pipes for sewage disposal ISI marked	NICCO, SRIF, A-1 Singhal Casting Co Agra, Jindal Saw, Kesoram, NECO
89.	PVC rain water/sewage pipes (IS-4985)	Reliance, Finolex, Supreme, Kisan, Prince, Hindustan Plastic & machine corporation, Polypack industries (P) Ltd.
90.	HDPE Water storage Tanks (Rotational Moulded)	Sintex, Swift, Nutech, Sheetal
91.	Cast Iron Pipes and Fittings	Hindustan Engineering Products Company Calcutta, S..L.C., Standard approved manufacturers of any other brand of fittings
92.	RCC Pipes	Indian Hume Pipe Company, Delhi / Allahabad / Chandigarh / Lucknow; Hindustan Pressure Pipes, Kolhapur; Dhare Concrete Products, Pune or any other approved manufacturer conforming B.I.S.
93.	Brass Fittings	Leader Engineering Works, Jalandhar; L & K Mathura; Luster Sanitary, Jalandhar; Annapurna Metal Works, Calcutta; Neta Metal Works, Jalandhar; Honey Industrial
94.	C.P. Fittings	Ego Metal Works, Ballabgarh; Jaquar Industries, Delhi; Soma Plumbing Fixtures Limited, Calcutta; Gem Sanitary Appliances Pvt. Ltd., Delhi; Essco Sanitations, Delhi; Bilmet,
95.	Stone Ware (Salt-Glazed) Pipes	Hind Ceramics Limited, Orissa; Ceramic Industries Limited, Sambalpur; Shrikamakshi Agencies, Madras; Binary Udyog Pvt. Limited, Howrah; Tirumati Moulds Limited, Nagpur; Kiran Potteries, Hyderabad; Perfect Sanitary
96.	Asbestos Cement Pipes and Fittings	Ganga Asbestos Limited, U.P.; Hyderabad Asbestos Cement Products Limited; J.K. Super Pipe Industries, Nanded; Konark Cement and Asbestos Limited, Orissa; Maharashtra Asbestos Limited, Bombay; Poddar Industrial Corporation, Patna;


LIST OF RECOMMENDED PARTIES FOR BOUGHT OUT ITEMS	Doc No.	Rev	
	GAIL-ENG-GN-DOC-VL-001	0	
Page 19 of 41			

97.	HDPE pipes and fittings	ORI-PLAST,HASTI
-----	-------------------------	-----------------

STRUCTURE

Sl. No.	Items/Name of Products	Makes/Brands/Manufactures
1	Structural Steel	SAIL / TATA / RINL / IISCO / ESSAR / ISPAT
2	Structural Steel Tubes ISI Marked	TATA / JINDAL / SURYA / SWASTIK
3	Synthetic Enamel Paint Ist Quality only	ICI Paint (Deluxe), Asian Paint (Apolite), Shalimar Paint (Superlac), Goodlass, Nerolac Paint(Nerolac), Berger Paints

Any materials not fully specified in these specification and which may be offered for use in the works shall be subject to approval of Engineer, without which it shall not be used anywhere in the construction works.

LIST OF RECOMMENDED PARTIES FOR BOUGHT OUT ITEMS	Doc No.	Rev	
	GAIL-ENG-GN-DOC-VL-001	0	
Page 20 of 41			

3. LIST OF SUPPLIERS OF MAJOR BOUGHT-OUT ITEMS

C. (ELECTRICAL)

i) Air Conditioner

1. O General
2. Daikin
3. Hitachi

ii) Batteries (Lead Acid)

1. Amco Batteries Ltd.
2. Exide Industries Ltd.
3. HBLNIFE Power System Ltd.
4. Amara Raja Batteries Ltd.

iii) Batteries (Nickel Cadmium)


1. Amco Batteries Ltd.
2. HBLNIFE Power Systems Ltd.

iv) Batteries Charger/DC-DC Converter


1. Amara Raja Power System (P) Ltd.
2. BCH.
3. Chhabi Electricals Pvt. Ltd.
4. Caldyne Automatics Limited
5. Dubas
6. HBL Nife Power Systems Ltd.
7. Universal Industries Products
8. Universal Instrument Mfg Co Pvt Ltd

v) Cable – Fire Alarm & Communication Cables

1. Cords Cable Industries Ltd.
2. CMI
3. Delton cables Ltd.
4. ELKAY Telelinks
5. KEI Industries Ltd.

LIST OF RECOMMENDED PARTIES FOR BOUGHT OUT ITEMS	Doc No.	Rev	
	GAIL-ENG-GN-DOC-VL-001	0	
Page 21 of 41			

6. Reliance Engineers Ltd.
- vi) **Cable – HT (XLPE)**
1. Universal Cable Ltd.
 2. KEI Industries Ltd.
 3. Industrial Cables
 4. NICCO Corporation Ltd.
 5. Uniflex
 6. Polycab.
 7. Torrent cables Ltd.
- vii) **Cable – LT Power and Control**
1. Cords Cable Industries Ltd.
 2. Universal Cable Ltd.
 3. KEI Industries Ltd.
 4. Havells.
 5. Delton
 6. Elkay Telelinks
 7. Evershine Electricals
 8. Ecko
 9. Ravin
 10. Rallison.
 11. Suyog
 12. Netco
 13. Uniflex
 14. Paramount
 15. Gloster
 16. Associated cables Pvt Ltd.
 17. CMI
 18. Gemscab
 19. Industrial cables
 20. NICCO
 21. Polycab
 22. Torrent

LIST OF RECOMMENDED PARTIES FOR BOUGHT OUT ITEMS	Doc No.	Rev	
	GAIL-ENG-GN-DOC-VL-001	0	
	Page 22 of 41		

viii) Cable – Gland

1. .Baliga
2. .Comet
3. Flexpro
4. Flameproof
5. FCG
6. Electro Werke
7. Dowels
8. CCI

ix) Cable – Lugs

1. Dowels
2. Jainson
3. Ismal

x) Cable – Tray

1. Ercon Composites
2. Yamuna Power & Infrastructure Ltd.

xi) Cable Termination and Jointing Kit


1. CCI
2. Raychem
3. M-Seal

xii) Ceiling/Exhaust/Pedestal Fans & Circulators

1. Bajaj Electricals Ltd.
2. Crompton Greaves Ltd.
3. Khaitan Electricals Ltd.
4. Havell's

xiii) Contractors – AC Power

1. Andrew Yule
2. ABB
3. BHEL

LIST OF RECOMMENDED PARTIES FOR BOUGHT OUT ITEMS	Doc No.	Rev	
	GAIL-ENG-GN-DOC-VL-001	0	
Page 23 of 41			

4. C&S
5. Havell's
6. L&T
7. Schneider
8. Siemens Ltd.
9. Telemecanique

xiv) Control Transformer


1. AE
2. Indushree
3. Intra Vidyut
4. Kalpa Electricals
5. Transpower Industries Ltd.
6. Siemens

xv) DG Set

1. Sterling and Wilson.
2. GD ankalesaria.
3. Deev Genset.
4. Jackson
5. Sudheer Gensets.
6. Power Engineering(India) Pvt Ltd.

xvi) Earthing Materials

1. Rukmani Electrical & Components Pvt Ltd.
2. Indiana Grating Pvt Ltd.
3. Jef Techno Solutions Pvt Ltd
- Flame proof LDB's/ JB,s/Control Station/ switches
7. FCG
8. Sudhir
9. Prompt Engineering Works
10. Flame Proof equipments pvt. Ltd.
11. Baliga Lighting Equipments Pvt. Ltd.
12. Flexpro Electricals Pvt. Ltd.

LIST OF RECOMMENDED PARTIES FOR BOUGHT OUT ITEMS	Doc No.	Rev	
	GAIL-ENG-GN-DOC-VL-001	0	
Page 24 of 41			

xvii) High Mast

1. Bajaj Electricals Limited
2. Crompton Greaves Limited.
3. Philips India Limited
4. Surya Roshani

xviii) High Voltage PCC/ MCC panels


1. BHEL
2. Control and Switchgear
3. Siemens
4. Tricolite Electrical Industries
5. Schneider
6. CGL
7. L&T

xix) Indicating Lamps

1. Alstom Ltd.
2. BCH
3. L&T Ltd.
4. Siemens Ltd.
5. Vaishno Electricals

xx) Indicating Meters

1. ABB
2. AMCO
3. AE
4. Alstom Ltd. (EE)
5. Conzerv/Schneider
6. Elecon Measurement Pvt. Ltd.
7. HPL Electric & Power Pvt. Ltd.
8. MECO Instruments Ltd.
9. Minilec
10. Rishabh Instruments Pvt. Ltd.
11. Trinity energy system

LIST OF RECOMMENDED PARTIES FOR BOUGHT OUT ITEMS	Doc No.	Rev	
	GAIL-ENG-GN-DOC-VL-001	0	
Page 25 of 41			

12. kaycee

13. Salzer

xxi) Lighting Fixtures

1. GE Lighting Pvt. Ltd.

2. Bajaj Electricals Ltd.

3. Crompton Greaves Ltd.

4. Philips India Ltd.

xxii) Lighting Fixtures – Flameproof

1. Bajaj Electricals Ltd.

2. Baliga Lighting Equipment Pvt. Ltd.

3. Crompton Greaves Ltd.

4. CEAG Flameproof Controlgear Pvt. Ltd.

5. Flexpro Electricals Pvt. Ltd.

6. Philips India Ltd.

7. Sudhir Switchgears Pvt. Ltd.

8. FCG.

xxiii) Miniature Circuit Breakers (MCBs) and Lighting DB

1. ABB

2. Hagger

3. Havell's India Ltd.

4. Indo Asian Fusegear Ltd.

5. Legrand

6. MDS Switchgear Ltd.

7. Schneider

8. Siemens Ltd.

9. HPL


xxiv) Moulded Case Circuit Breaker (MCCBs)

1. ABB


2. Andrew yule

3. Larsen & Toubro

4. Schneider

LIST OF RECOMMENDED PARTIES FOR BOUGHT OUT ITEMS	Doc No.	Rev	
	GAIL-ENG-GN-DOC-VL-001	0	
	Page 26 of 41		

5. Siemens
6. Control and Switchgear
- xxv) Protection Relays – Thermal**
1. BCH
2. L&T Ltd.
3. Siemens Ltd.
4. Telemenchanique & Controls (India) Ltd.
- xxvi) Low Voltage Power Control Center (PCC)/ MCC/ PDB/ MLDB/ LDB**
1. ABB
2. BCH
3. C & S
4. Elecmech Switchgear & Instrumentation
5. KMG ATOZ
6. L&T
7. Pyrotech Electronics Pvt. Ltd.
8. Risha control Engineers Pvt. Ltd.
9. Siemens
10. Tricolite Electrical Industries
11. Unilec Engineers Ltd.
12. Vidyut Control India Pvt. Ltd.
13. Control and Schematic
14. Zenith Engineering
- xxvii) Push Buttons**
1. BCH
2. Alstom Ltd.
3. L&T
4. Siemens Ltd.
5. Telemenchanique & Controls (India) Ltd.
6. Vaishno Electricals
- xxviii) Switches - Control**
1. BCH
2. Easum Reyrolle Relays & Devices Ltd.

LIST OF RECOMMENDED PARTIES FOR BOUGHT OUT ITEMS	Doc No.	Rev	
	GAIL-ENG-GN-DOC-VL-001	0	
Page 27 of 41			

3. Alstom
4. Kaycee Industries Ltd.
5. L&T
6. Siemens Ltd.

xxix) Switches – 5/15A Piano/ Plate, Switch Socket

1. Anchor Electronics & Electricals Pvt. Ltd.
2. Kingal Electricals Pvt. Ltd.
3. North-West Switchgear Ltd.

xxx) Switch Socket Outlets (Industrial)

1. Alstom Ltd.
2. Best & Crompton Engineering Ltd.
3. BCH
4. Crompton Greaves Ltd.
5. Essen Engineering Company Pvt. Ltd.

xxxii) Solar Modules


1. Tata BP Solar (I) Ltd.
2. REIL, Jaipur.
3. CEIL, Sahibabad.
4. HBL Power

xxxiii) Solar Street Lighting

1. Tata BP Solar (I) Ltd.
2. REIL, Jaipur.
3. CEIL, Sahibabad.
4. HBL.

xxxiiii) Terminals Blocks

1. Connectwell
2. Controls & Switchgear Co. Ltd.
3. Elmex Controls Pvt. Ltd.
4. Essen Engineering Co. Pvt. Ltd.

LIST OF RECOMMENDED PARTIES FOR BOUGHT OUT ITEMS	Doc No.	Rev	
	GAIL-ENG-GN-DOC-VL-001	0	
	Page 28 of 41		

xxxiv) Transformers

1. ABB
2. Andrew Yule
3. Areva
4. BHEL
5. Bharat Bijlee
6. Crompton Greaves
7. EMCO Ltd.
8. Intra Vidyut
9. Indushree
10. Indcoil
11. Kirloskar
12. Skippers Electricals
13. Transformers & Rectifiers (I) Ltd.
14. Voltamp

xxxv) UPS System and Inverter


1. DB Power
2. Aplab
3. Keltron
4. Hi-Rel
5. Dubas
6. Toshiba Corporation
7. Fuzi Electric Co Ltd

xxxvi) GI-Octogonal Pole

1. Bajaj
2. Transrail
3. Wipro


xxxvii) List Of Recommended Manufacturers for Heater

1. Escorts Limited, Faridabad, Haryana
2. Spherohot / Kanti Lal Chuni Lal & Sons Appliances Pvt Ltd.Surat
3. Kerone, Bhayander(E), Thane - 401105

LIST OF RECOMMENDED PARTIES FOR BOUGHT OUT ITEMS	Doc No.	Rev	
	GAIL-ENG-GN-DOC-VL-001	0	
Page 29 of 41			

4. Excel Heaters, Andheri (West), Mumbai - 400 053, India
5. Nirmal Industrial Controls Pvt. Ltd. , Mulund(W), Mumbai - 400 080

NOTE: - Item/Vendor, which are not listed above, shall be subject to prior approval from Client/Consultant.

LIST OF RECOMMENDED PARTIES FOR BOUGHT OUT ITEMS	Doc No.	Rev	
	GAIL-ENG-GN-DOC-VL-001	0	
Page 30 of 41			

4. LIST OF MATERIALS OF APPROVED BRAND AND/ OR MANUFACTURE

D. (INSTRUMENTATION)


I. OFC

Manufacture/Procurement, Testing and supply of suitable OFC Joint closures including all necessary accessories of any of the following make:

1. Raychem
2. 3M
3. Siemens
4. Any other make from the approved vendor list of client with supporting paper

II. PRESSURE GAUGES

1. AN Instruments Pvt Ltd
2. Badotherm Process Instruments
3. Baumer Bourdon Haenni S.A.S
4. British Rototherm Co Ltd
5. Budenberg Gauge Co Ltd
6. Dresser Inc
7. Forbes Marshall (Hyd) Pvt Ltd
8. General Instrument Consortium
9. H. Guru Instruments (South India) Pvt Ltd
10. Manometer (India) Pvt Ltd
11. Nagano Keiki Seisakusho Ltd
12. Hirlekar Precision, India
13. Waaree Instruments Ltd
14. Walchandnagar Industries Ltd (Tiwac Divn)
15. Wika Alexander Wiegand & Co GmbH

LIST OF RECOMMENDED PARTIES FOR BOUGHT OUT ITEMS	Doc No.	Rev	
	GAIL-ENG-GN-DOC-VL-001	0	
Page 31 of 41			

16. Wika Instruments India Pvt Ltd

17. Ashcroft India Pvt Ltd.

III. TEMPERATURE GAUGES

1. AN Instruments Pvt Ltd.

2. Badotherm Process Instruments B.V.

3. Bourdon Haenni S.A.

4. Dresser Inc.

5. General Instruments Consortium

6. H. Guru Instruments (South India) Pvt. Ltd

7. Nagano Keiki Seisakusho Ltd

6. Sbeletro Mechanicals

8. TRAC

**IV. FIELD INSTRUMENTS
(P, DP, F, L, T)**

1. ABB Ltd

2. Honeywell

3. Fuji Electric Instruments Co Ltd

4. Yokogawa

5. Invensys India Pvt.Ltd

V. FLOW COMPUTERS

1. Emerson


2. Instromet International (Belgium)

3. FMC Measurement Solutions (UK)

4. RMG (Germany)

5. OMNI Flow Computers Inc.

6. Thermo Fisher, USA


LIST OF RECOMMENDED PARTIES FOR BOUGHT OUT ITEMS	Doc No.	Rev	
	GAIL-ENG-GN-DOC-VL-001	0	
	Page 32 of 41		

VI. PRESSURE REGULATOR AND SLAM SHUT VALVE

1. Pietro Fiorentini S.P.A. (Italy)
2. Emerson
3. RMG-Regel Messtechnik (Germany)
4. Mokveld Valves BV (Netherlands)
5. Schlumberger (USA)
6. Gortter Controls B V (Netherlands)
7. Instromet International NV
8. Nirmal Industrial Controls Pvt Ltd. (up to 6" size only)
9. ESME Valves Ltd
10. Kaye & Macdonald Inc.
11. Nuovo Pignone S.P.A (Italy) (GE Oil Co.)
12. Richards Industries (Formerly Treloar)
13. Samson AG Mess-und Regeltechnik
14. Tormene Gas Technology
15. Dresser Inc, USA (upto 8" size, 300# class only)

VII. PRESSURE SAFETY VALVES

1. Keystone Valves (India) Pvt. Ltd.
2. Larson & Toubro Ltd.
3. Lesser GmbH & Co KG
4. Mekaster Engg Ltd..
5. Tyco Sanmar Ltd. (New Delhi)
6. Anderson Greenwood Crosby
7. BHEL (Trichy)
8. Curtiss Wright Flow Control Corporation
9. Dresser Inc.
10. Fukui Seisakusho Co. Ltd
11. Nakakita Seisakusho Co Ltd
12. Nuovo Pignone S.P.A (Italy) (GE Oil co)
13. Parcol S.P.A

LIST OF RECOMMENDED PARTIES FOR BOUGHT OUT ITEMS	Doc No.	Rev	
	GAIL-ENG-GN-DOC-VL-001	0	
Page 33 of 41			


- 14.Safety Systems UK Ltd
- 15.Tai Milano S.P.A
- 16.Weir Valves & Controls France
- 17.Bliss Anand Pvt Ltd.

VIII. FLOW CONTROL VALVES

1. Fouress Engg. (New Delhi)
2. Fisher Xomox (New Delhi)
3. MIL Control Ltd. (Noida)
4. KOSO India Pvt Ltd
5. Samson Control (Thane)
6. Dresser Valves India Pvt Ltd.
7. Fisher Controls
8. Valvitalia Italy
9. CCI Valve technology
10. Flowserve Pvt Ltd.
- 11.Metso Singapore Pvt Ltd.
12. Instrumentation Ltd Palghat
13. Dresser Inc. USA

IX. CONTROL PANEL & ACCESSORIES

1. Keltron Controls Ltd., Kerala
2. Elechmec Corporation Ltd., Mumbai
3. Industrial Controls & Appliances Pvt. Ltd.,
4. Alstom System Ltd., Noida
5. Emerson Process Management (I) Pvt. Ltd.
6. ABB Instruments Ltd., New Delhi
7. Larsen & Toubro Ltd.
8. Control & Automation, New Delhi
9. GE Fanuc Systems Pvt. Ltd., New Delhi
10. Rockwell Automation (I) Ltd., Ghaziabad

LIST OF RECOMMENDED PARTIES FOR BOUGHT OUT ITEMS	Doc No.	Rev	
	GAIL-ENG-GN-DOC-VL-001	0	
Page 34 of 41			


11. Honeywell Automation Ltd.
12. Rittal
13. Pyrotech Elcronics Pvt Ltd.
14. Positronics Pvt Ltd.
15. Electronics Corporation of India Ltd.

X. JUNCTION BOXES AND CABLES GLANDS

1. Ex-Protecta
2. Flameproof Control Gears
3. Baliga
4. Flexpro Electricals

XI. CONTROL AND SIGNAL CABLES

1. Associated Cables
2. Brook
3. Associated Flexibles & Wires (Pvt) Ltd
4. Universal Cables Ltd,India
5. Delton Cables Ltd, India
6. KEI Industries Ltd INDIA
7. CMI Limited
8. Cords Cable Industries Ltd, India
9. Elkay Telelinks (P) Ltd., India
10. Udey Pyrocables Pvt Ltd, India
11. Goyolene Fibres (I) Pvt Ltd, India
12. Netco Cable Industries Pvt Ltd, India
13. Nicco Corporation Ltd, India
14. Paramount Communications Ltd, India
15. Polycab Wires Pvt Ltd, India
16. Radiant Cables Pvt Ltd, India
17. Reliance Engineers Ltd., India

LIST OF RECOMMENDED PARTIES FOR BOUGHT OUT ITEMS	Doc No.	Rev	
	GAIL-ENG-GN-DOC-VL-001	0	
Page 35 of 41			

18. Suyog Electricals Ltd, India

19. Thermo Cables Ltd

XII. INDICATORS & CONTROLLERS

1. Yokogawa

2. Eurotherm Chessel

3. Honeywell

4. Emerson

XIII. BARRIERS

1. MTL

2. STHAL

3. P&F

4. Phoenix

XIV. GAS CHROMATOGRAPH

1. ABB

2. Emerson

3. Instromet International, NV

4. RMG Regal+Messtechnik GmbH

5. Yokogawa

XV. I/P CONVERTERS

1. ABB

2. Emerson


3. IMI Watson Smith Ltd.

4. Moore Controls Ltd

5. Shreyas Instruments Pvt Ltd, India

6. Thermo Brandt Instruments

XVI. SS FITTINGS, INSTRUMENT VALVES & MANIFOLDS

LIST OF RECOMMENDED PARTIES FOR BOUGHT OUT ITEMS	Doc No.	Rev	
	GAIL-ENG-GN-DOC-VL-001	0	
Page 36 of 41			


1. Aura Inc.
2. Hoke
3. Excelsior Engg Works, India
4. Parker
5. Swagelok Co.
6. Swastic Engineering Works, India
7. Comfit & Valves Pvt.Ltd
8. Arya Crafts & Engg.Pvt. Ltd

XVII. SS TUBES

1. Sandvik
2. Hoke
3. Parker
4. Swagelok Co.
5. Heavy metal & tubes LTD
6. Nuclear Fuel Complex .India
7. Ratnamani Metal & Tube Ltd
8. Jindal Saw

XVIII. GAS DETECTION SYSTEM

1. Crowcon Detection Instruments Ltd
2. Detection Instruments (I) Pvt Ltd
3. Detector Electronics Corporation
4. Drager Safety AG & Co. KGAA
5. General Monitors Ireland Ltd
6. Mine Safety Appliances Company
7. MSA – Mines Safety Appliances (India) Ltd
8. Industrial Scientific Oldham France S.A.
9. Riken Keiki Co Ltd
10. Simrad Optronics Icare

LIST OF RECOMMENDED PARTIES FOR BOUGHT OUT ITEMS	Doc No.	Rev	
	GAIL-ENG-GN-DOC-VL-001	0	
Page 37 of 41			

11. Honeywell Analytics
12. Net Safety Monitoring Inc.
13. Simtronics SAS

5. **LIST OF RECOMMENDED MANUFACTURERS**


E. **(SHOP & FIELD PAINTING)**

I. **Indian Vendors**

1. Asian Paints(I) Ltd.
2. Berger Paints Ltd.
3. Goodlass Nerlolac Paints Ltd.
4. Jenson And Nicholson Paint Ltd & chokuGu Jenson & Nicholson Ltd.
5. Shalimar Paints Ltd.
6. Sigma Coating, Mumabai
7. CDC Carboline Ltd.
8. Premier Products Ltd.
9. Coromandel Paints & Chemicals Ltd.
10. Anupam Enterprises
11. Grand Polycoats
12. Bombay Paints Ltd.
13. Vanaprabha Esters & Glycer, Mumbai
14. Sunil Paints and Varnishes Pvt. Ltd.
15. Courtaulds Coating & Sealants India (Pvt.) Ltd.
16. Mark-chem Incorporated, Mumbai (for phosphating chemicals only)
17. VCM Polyurethane Paint (for polyurethane Paint only)

II. **Foreign Vendors for Overseas Products**


1. Sigma Coating, Singapore
2. Ameron, USA
3. Kansai Paint, Japan

LIST OF RECOMMENDED PARTIES FOR BOUGHT OUT ITEMS	Doc No.	Rev	
	GAIL-ENG-GN-DOC-VL-001	0	
Page 38 of 41			

- 4. Hempel Paint, USA
- 5. Valspar Corporation, USA
- 6. Courtaulds Coating, UK.

Notes:


- 1. Bidder can select equipment of two different makes, selected from this VENDOR LIST and mention the same in the checklist for technical evaluation attached with the tender. The offered bid must include filled datasheet indicating make, model, size, rating of offered instrument/ equipment duly supported by sizing calculation of offered equipment (wherever applicable).
- 2. Vendors who have already supplied above equipment in other terminals of GAIL (I) Ltd, shall also be considered qualified for this tender provided the supplier equipment are commissioned and running successfully and they have not been put on holiday in list of Client/LEPL/ Other PSU
- 3. Equipment / Instruments of any make which is offered by one bidder and acceptable to GAIL (I) Ltd shall be accepted for other bidder also. After placement of order, on request of the successful bidder list of other qualified makes for a particular item (for which successful bidder wants to change the vendor) shall be provided.
- 4. Bidder shall take prior approval of the make / model no of the offered item and it shall be from the list given above. However additional vendors will be considered in exceptional cases, provided they have supplied for similar application to reputed gas transmission/distribution companies, in quantities at least half the numbers being supplied for this tender, and working satisfactorily for minimum 6 months. Documentary evidence substantiating above shall be submitted for taking approval.
- 5. For procuring bought out items from vendors other than those listed above, the same may be acceptable subject to the following:
 -
 - a) The vendor/ supplier of bought out item(s) is a manufacturer/ supplier of said item(s) for intended services and the sizes being offered is in their regular manufacturing supply range.
 - b) Should have supplied at least one single random length (i.e. 5.5 meters to 6.5 meters) for item assorted pipes / tubes

LIST OF RECOMMENDED PARTIES FOR BOUGHT OUT ITEMS	Doc No.	Rev	
	GAIL-ENG-GN-DOC-VL-001	0	
Page 39 of 41			

and for other items, which are to be supplied in quantity on number-basis (other than assorted pipes / tubes) minimum 01 (One) number of same or higher in terms of size and rating as required for intended services. The bidder should enclose documentary evidences i.e. PO copies, Inspection Certificate etc. for the above, along with their bids.

- 6 For any other item(s) for which the vendor list is not provided, bidders can supply those item(s) from vendors/ suppliers who have earlier supplied same item(s) for the intended services in earlier projects and the item(s) offered is in their regular manufacturing/ supply range. The bidder is not required to enclose documentary evidences (PO copies, Inspection Certificate etc.) along with their offer, however in case of successful bidder, these documents shall require to be submitted by them within 30 days from date of Placement of Order for approval to CLIENT / LEPL.

- 7 The details of vendors indicated in this list are based on the information available with LEPL, Contractor shall verify capabilities of each vendor for producing the required quantity with. PMC does not guarantee any responsibility on the performance of the vendor. It is the contractor's responsibility to verify the correct status of vendor and quality control of each parties and also to expedite the material in time.


LIST OF RECOMMENDED PARTIES FOR BOUGHT OUT ITEMS	Doc No.	Rev	
	GAIL-ENG-GN-DOC-VL-001	0	
Page 40 of 41			

6. MANUFACTURE LIST FOR TELECOM BOUGHT OUT ITEMS

Fiber Optic Cable and Accessories

Vendor Details

1. Aksh Optifibre Limited
2. Vindhya Telelink Limited
3. Finolex Cables Ltd
4. RPG Cables Limited
5. Tamilnadu telecommunication Limited
6. UM Cables Limited
7. Himachal Futuristic Communications Limited
8. Birla Ericsson Optical Limited
9. Uniflex Cables Ltd
10. Sterlite Optical technologies Limited

LIST OF RECOMMENDED PARTIES FOR BOUGHT OUT ITEMS	Doc No.	Rev	
	GAIL-ENG-GN-DOC-VL-001	0	
	Page 41 of 41		

BALL VALVE

4.0 BIDDER'S EVALUATION CRITERIA

4.1 TECHNICAL CRITERIA

(i) Bidder shall be a manufacturer of Ball Valves as per API 6D Specification and shall have a valid license to use API monogram for the proposed manufacturing Plant(s).

(ii) Bidder shall have designed, manufactured, tested and supplied from the proposed manufacturing plant at least one (1) number Ball Valve as per API 6D, specifications, identical in terms of design and equal or higher in terms of size and rating, as quoted for, in the last seven (7) years reckoned from the bid due date.

(iii) The bidder or his proposed supplier of Gas powered / Gas over oil actuator(s) shall have designed, manufactured, tested and supplied at least one (1) number valve actuator of similar type / model, as being offered, within the last seven (7) years reckoned from the bid due date. Documents submitted for qualification should clearly specify the actuation medium as natural gas.

Note:

(i) A job executed by a bidder for its own Plant/Projects will not be considered as experience for the purpose of meeting BEC of the Tender. However, jobs executed for Subsidiary / Fellow Subsidiary / Holding company will be considered as experience for the purpose of meeting BEC subject to submission of tax-paid invoice(s) duly certified by Statutory Auditor of the bidder towards payments of statutory tax in support of the job executed for Subsidiary/ Fellow Subsidiary / Holding Company. Such bidders to submit these documents in addition to the documents specified in the Bid Document to meet BEC.

(ii) Bidder shall not be affiliated with a firm or entity, (i) that has provided consulting services related to works to employer during preparatory stages of works or of the period of which the work form a part, or (ii) that has been hired (or proposed to be hired) by the employer as Engineer / Consultant for the contract.

PIG TRAPS

4.0 BIDDER'S EVALUATION CRITERIA

4.1 TECHNICAL CRITERIA

- (i) Bidder shall be a manufacturer of Pig Launcher / Receiver.
- (ii) The Bidder should have designed, manufactured, tested and supplied at least one (01) number Pig Launcher / Receiver that are of equal or higher in terms of size & pressure rating as quoted for, in last seven (07) years reckoned from the bid due date.
- (iii) The Bidder or its proposed supplier of Quick Opening End Closure (QOEC) to be installed on Pig Launcher/ Receiver should have designed, manufactured, tested and supplied at least one (01) number Quick Opening End Closure (QOEC) that are equal or higher in terms of size and pressure rating as quoted for in last seven (07) years reckoned from the bid due date.

Note:

- (i) A job executed by a bidder for its own Plant/Projects will not be considered as experience for the purpose of meeting BEC of the Tender. However, jobs executed for Subsidiary / Fellow Subsidiary / Holding company will be considered as experience for the purpose of meeting BEC subject to submission of tax-paid invoice(s) duly certified by Statutory Auditor of the bidder towards payments of statutory tax in support of the job executed for Subsidiary/ Fellow Subsidiary / Holding Company. Such bidders to submit these documents in addition to the documents specified in the Bid Document to meet BEC.
- (ii) Bidder shall not be affiliated with a firm or entity, (i) that has provided consulting services related to works to employer during preparatory stages of works or of the period of which the work form a part, or (ii) that has been hired (or proposed to be hired) by the employer as Engineer / Consultant for the contract

INSULATION JOINTS

4.0 BIDDER'S EVALUATION CRITERIA:

4.1 TECHNICAL CRITERIA:

4.1.1 The bidder shall be a manufacturer of Monolithic Insulating Joints.

4.1.2 Bidder should have designed, manufactured, tested and supplied at least one (1) number of Monolithic Insulating Joint that are of same type, equal or higher in terms of size and pressure rating as quoted for, in the last (7) years reckoned from the bid due date.

Note:

1. Experience of only the bidding entity shall be considered. A Job executed by a Bidder for its own plant/ project cannot be considered as experience for the purpose of meeting BEC of this Tender Document. However, jobs executed for Subsidiary/Fellow subsidiary / Holding company will be considered as experience for the purpose of meeting BEC Subject to submission of tax paid invoice (s) duly certified by Statutory Auditor of the Bidder towards payments of statutory tax in support of the job executed for Subsidiary/Fellow subsidiary/ Holding company. Such Bidders to submit these documents in addition to the documents specified to meet BEC.

2. Bids from Consortium/Joint bids/multiple bids/alternative bids shall not be accepted in the instant tender.

3. Bidder shall not be affiliated with a firm or entity, (i) that has provided consulting services related to works to employer during preparatory stages of works or of the period of which the work form a part, or (ii) that has been hired (or proposed to be hired) by the employer as Engineer/Consultant for the contract.

FLANGE & FITTINGS

4.0 BIDDER'S EVALUATION CRITERIA:

4.1 TECHNICAL CRITERIA:

4.1.1 FOR GROUP A – FLANGES, SPECTACLE BLIND

4.1.1.1 The bidder shall be a manufacturer of items as quoted.

4.1.1.2 The bidder, in last seven (7) seven years reckoned from the bid due date, should have designed, manufactured, tested and supplied from the proposed manufacturing plant at least one (1) number of Flange/Spectacle Blind equal or higher in terms of size & Pressure rating specified in the group as quoted for.

4.1.2 FOR GROUP B – EQUAL TEE, UNEQUAL TEE, CONCENTRIC REDUCER,WELDOLET,SOCKOLET,ELBOW

4.1.2.1 The bidder shall be a manufacturer of items as quoted.

4.1.2.2 The bidder, in last seven (7) seven years reckoned from the bid due date, should have designed, manufactured, tested and supplied from the proposed manufacturing plant at least one (1) number of Equal Tee/Unequal Tee/Concentric Reducer/ Weldolet/Sockolet /Elbow of atleast equal or higher in terms of size & pressure rating specified in the group as quoted for.

4.1.3 FOR GROUP C – FLOW TEE

4.1.3.1 The Bidder shall be a manufacturer of items as quoted.

4.1.3.2 Bidder should have designed, manufactured, tested and supplied at least one (1) number of Flow Tee, that are of same type, equal or higher in terms of size & pressure rating as quoted for, in the last seven (7) years reckoned from the bid due date.

4.1.4 FOR GROUP D – BEND

4.1.4.1 The bidder shall be a manufacturer of items as quoted.

4.1.4.2 The bidder, in last seven (7) seven years reckoned from the bid due date, should have designed, manufactured, tested and supplied from the proposed manufacturing plant at least one (1) number of Bend which is atleast equal or higher in terms of size &pressure rating specified in the group as quoted for.

Note:

1. Experience of only the bidding entity shall be considered. A Job executed by a Bidder for its own plant/ project cannot be considered as experience for the purpose of meeting BEC of this Tender Document. However, jobs executed for Subsidiary/Fellow subsidiary / Holding company will be considered as experience for the purpose of meeting BEC

subject to submission of tax paid invoice (s) duly certified by Statutory Auditor of the Bidder towards payments of statutory tax in support of the job executed for Subsidiary/Fellow subsidiary/ Holding company. Such Bidders to submit these documents in addition to the documents specified to meet BEC.

2. Bids from Consortium/Joint bids/multiple bids/alternative bids shall not be accepted in the instant tender.

3. Bidder shall not be affiliated with a firm or entity, (i) that has provided consulting services related to works to employer during preparatory stages of works or of the period of which the work form a part, or (ii) that has been hired (or proposed to be hired) by the employer as Engineer/Consultant for the contract.